



US00D985359S

(12) **United States Design Patent** (10) **Patent No.:** **US D985,359 S**  
**Ahlström et al.** (45) **Date of Patent:** **\*\* May 9, 2023**

(54) **LATCH**

FOREIGN PATENT DOCUMENTS

(71) Applicant: **Dometic Sweden AB**, Solna (SE)  
(72) Inventors: **Joakim Ahlström**, Täby (SE); **Samuele Meda**, Solna (SE)

AU 201712770 5/2017  
AU 201712799 ‡ 5/2017  
(Continued)

(73) Assignee: **Dometic Sweden AB**, Solna (SE)

OTHER PUBLICATIONS

(\*\*) Term: **15 Years**

China Patent Application No. 201780072126.1 filed May 22, 2019  
entitled "Cooler".‡

(21) Appl. No.: **29/708,156**

(Continued)

(22) Filed: **Oct. 3, 2019**

*Primary Examiner* — David G Muller  
*Assistant Examiner* — Christina Gabrielle Cosden  
(74) *Attorney, Agent, or Firm* — Dinsmore & Shohl LLP

**Related U.S. Application Data**

(62) Division of application No. 29/585,279, filed on Nov. 22, 2016, now Pat. No. Des. 933,449.

(51) **LOC (14) Cl.** ..... **08-07**

(57) **CLAIM**

(52) **U.S. Cl.**  
USPC ..... **D8/331**

The ornamental design for a latch, as shown and described.

(58) **Field of Classification Search**

USPC ..... D8/330, 331, 333, 339, 343, 344, 345,  
D8/349, 354, 355, 356, 367, 382;  
D7/322, 601, 602, 703

CPC ..... B25G 3/12; B25G 3/00; B65D 81/3816;  
E05C 19/18; E05C 19/10; E05B 73/00

See application file for complete search history.

**DESCRIPTION**

Cross-reference is made to U.S. Design patent App. Ser. No. 29/585,272 titled "Cooler," filed Nov. 22, 2016, and U.S. Utility patent application Ser. No. 15/819,950 titled "Cooler", filed Nov. 21, 2017, all of which are expressly incorporated herein by reference.

(56) **References Cited**

U.S. PATENT DOCUMENTS

2,734,353 A ‡ 2/1956 Hill, II ..... B60H 1/3222  
62/323  
3,894,405 A ‡ 7/1975 Mielitz ..... F04B 3/003  
62/241  
4,024,731 A ‡ 5/1977 Branscum ..... B65D 81/3823  
62/457  
4,089,467 A 5/1978 Makowicki  
4,403,929 A ‡ 9/1983 Nagasaku ..... F01C 21/0872  
418/82  
D272,976 S 3/1984 Lalumiere

FIG. 1 is a front perspective view of an embodiment of a latch design;

FIG. 2 is a front elevation view of the design of FIG. 1;

FIG. 3 is a rear elevation view of the design of FIG. 1;

FIG. 4 is a left side elevation view of the design of FIG. 1,

the right side elevation being a mirror image of FIG. 4;

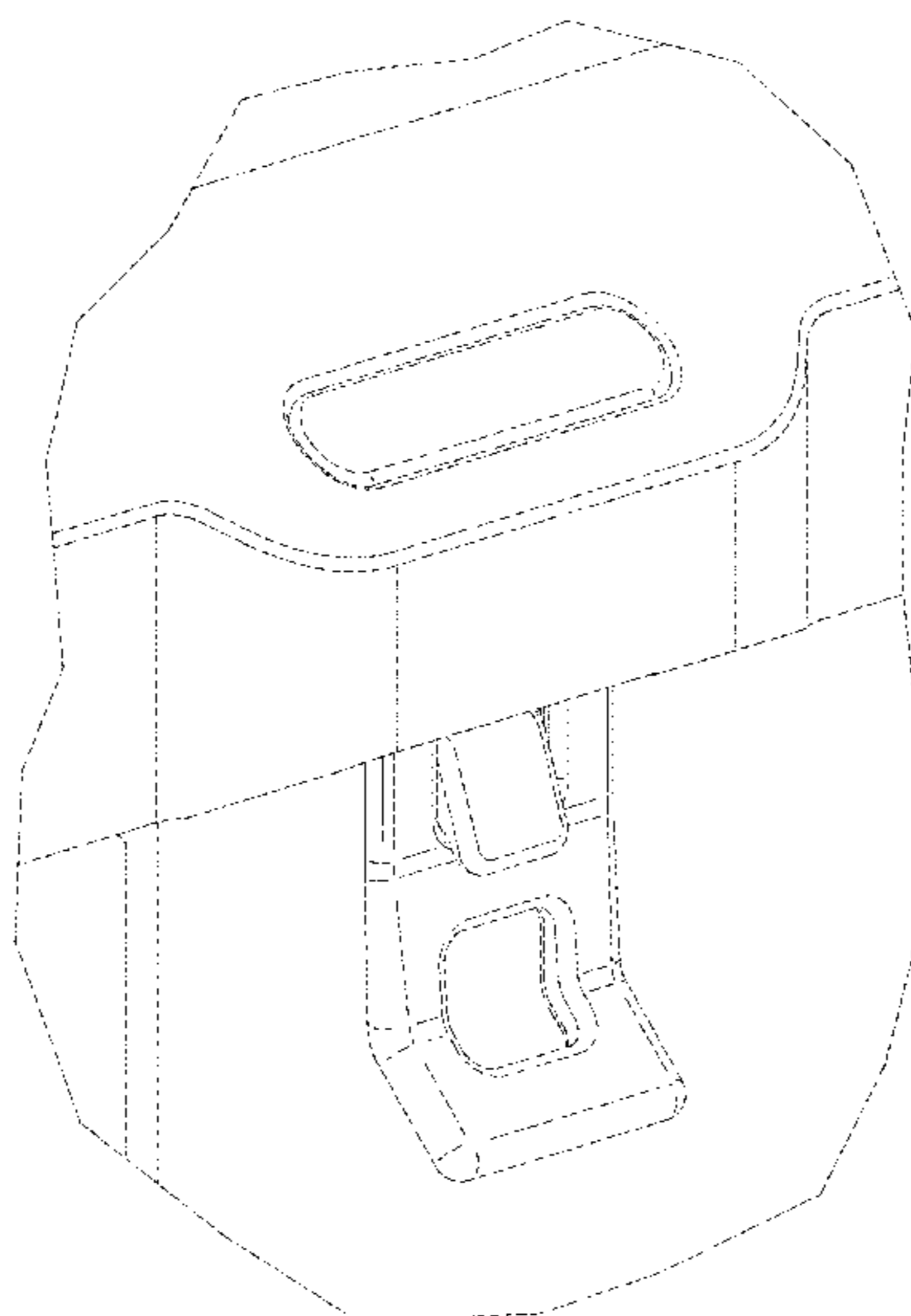
FIG. 5 is a top plan view of the design of FIG. 1; and,

FIG. 6 is a bottom plan view of the design of FIG. 1.

The broken lines shown in the figures represent the boundary of the claimed design and portions of the latch that form no part of the claimed design.

(Continued)

**1 Claim, 6 Drawing Sheets**



(56)

References Cited

U.S. PATENT DOCUMENTS

D281,695 S †	12/1985	Ryan, Jr.	D7/605	7,878,013 B2 †	2/2011	Matsuno	B60P 3/20
4,637,222 A †	1/1987	Fujiwara	B60N 3/103				62/228
			62/244	7,913,849 B2 †	3/2011	Pedrazzi	A45C 11/20
4,708,598 A †	11/1987	Sugita	F04C 28/24				206/23
			417/29	7,984,997 B1 †	7/2011	Sandberg	F25D 27/005
4,889,257 A †	12/1989	Steffes	A45C 5/00				362/10
			220/81	D642,830 S †	8/2011	Buckles	D15/79
D337,019 S	7/1993	Newnan		D646,528 S †	10/2011	Stallman	D7/605
D337,232 S †	7/1993	Kahl	D7/605	D647,355 S	10/2011	Ponzio et al.	
5,226,294 A †	7/1993	Mayer	B60H 1/3226	D649,393 S	11/2011	Cohlma et al.	
			62/236	D649,432 S *	11/2011	Main	D8/331
5,407,218 A †	4/1995	Jackson	A45C 5/14	D652,262 S †	1/2012	Yang	D7/605
			280/30	8,104,800 B2 †	1/2012	Lorek	E05B 63/18
D374,772 S †	10/1996	Hotaling	D3/273				292/10
5,676,296 A †	10/1997	Masters	A45C 3/001	8,210,702 B1 †	7/2012	Sandberg	F25D 27/005
			224/14				362/10
5,683,097 A	11/1997	Fenton et al.		8,312,816 B2 †	11/2012	Vaccarella	A45C 3/04
5,738,238 A †	4/1998	Yang	B65D 45/24				105/10
			16/267	8,356,712 B2 †	1/2013	Piazza, Jr.	A45C 9/00
D400,053 S †	10/1998	Coffee	D7/605				108/14
5,860,281 A †	1/1999	Coffee	A45C 11/20	8,511,846 B1 †	8/2013	Sandberg	F25D 27/005
			62/3.6				362/10
5,890,613 A	4/1999	Williams		8,740,010 B1	6/2014	Page	
D416,447 S †	11/1999	Levy	D7/605	D712,720 S †	9/2014	Seiders	B65D 81/3186
6,079,599 A †	6/2000	Nordstrom	A45C 11/20				D8/343
			224/15	D712,721 S †	9/2014	Seiders	B65D 81/3816
D427,881 S *	7/2000	Weinerman	D8/331				D8/343
D429,606 S †	8/2000	Israel	D7/605	D712,722 S †	9/2014	Seiders	B65D 81/3816
D429,621 S *	8/2000	Rivera	D8/343				D8/343
D429,966 S †	8/2000	Israel	D7/605	D712,723 S †	9/2014	Seiders	B65D 81/3186
D439,822 S *	4/2001	Webber	D8/331				D8/343
D451,765 S †	12/2001	Israel	D7/605	D714,125 S †	9/2014	Seiders	B65D 81/3816
D452,406 S	12/2001	Schroeder et al.					D8/331
D454,292 S †	3/2002	Plummer	D8/331	D719,435 S *	12/2014	Paulino	D8/331
6,398,272 B1	6/2002	Plummer et al.		8,910,819 B2 †	12/2014	Seiders	B65D 81/3816
D465,142 S *	11/2002	Weinerman	D8/302				220/32
6,474,097 B2 †	11/2002	Treppedi	A45C 11/20	8,939,476 B2 †	1/2015	Tang	E05C 17/32
			280/30				292/251.5
D494,021 S †	8/2004	Huthmaker	D7/605	D722,474 S †	2/2015	Seiders	D32/53
D497,517 S †	10/2004	Reuter	D7/605	D722,475 S †	2/2015	Seiders	D32/53
D500,057 S †	12/2004	Reuter	D15/83	D722,860 S *	2/2015	Linares	D8/331
D503,083 S *	3/2005	Schlack	D8/331	D727,134 S	4/2015	Yamamoto et al.	
6,938,791 B2 †	9/2005	Robertson	A47F 3/0404	D732,348 S †	6/2015	Seiders	D3/246
			206/77	D732,349 S †	6/2015	Seiders	D3/246
D512,039 S †	11/2005	Kim	D14/13	D732,350 S †	6/2015	Seiders	D3/246
7,082,380 B2 †	7/2006	Wiebe	F25B 49/005	D732,899 S †	6/2015	Seiders	D3/246
			702/18	9,052,131 B2 †	6/2015	Reimann	F24F 13/10
D527,225 S †	8/2006	Krieger	D7/605	9,139,352 B2 †	9/2015	Seiders	B65D 25/18
7,140,507 B2 †	11/2006	Maldonado	A45C 11/20				D740,100 S
			220/59	D740,100 S	10/2015	Alfredsson	
7,143,601 B1 †	12/2006	Jimenez	F25D 23/12	9,163,871 B1 †	10/2015	Costello	F25D 23/038
			62/457	D743,771 S *	11/2015	Lentine	D8/308
D534,771 S †	1/2007	Zorn	D7/605	D743,773 S †	11/2015	Shah	D8/331
D545,633 S †	7/2007	Hussaini	D7/605	9,187,232 B2 †	11/2015	Seiders	B65D 81/3816
D545,673 S *	7/2007	Antonucci	D8/400	D744,810 S *	12/2015	Pittman	D8/330
7,254,956 B2 †	8/2007	Matonog	B60H 1/00264				9,220,250 B1 †
			62/239	9,220,250 B1 †	12/2015	Davis, Sr.	A01K 97/05
D552,965 S *	10/2007	Arthurs	D8/344	D747,950 S †	1/2016	Jacobsen	D8/331
D566,479 S †	4/2008	Kabalin	D3/273	D747,951 S †	1/2016	Jacobsen	D8/331
D566,633 S †	4/2008	Kanno	D12/16	9,232,290 B2 †	1/2016	Besay	H04R 1/028
D570,669 S *	6/2008	Le	D8/331	D748,452 S †	2/2016	Jacobsen	D8/331
7,389,608 B1 †	6/2008	MacKay	A01K 97/05	D750,953 S †	3/2016	Jacobsen	D8/331
			206/31	D752,347 S †	3/2016	Seiders	D3/318
7,392,737 B2 †	7/2008	Mayorca	F04B 3/00				9,282,797 B1
			417/34	9,282,797 B1	3/2016	Soto	
7,415,794 B1 †	8/2008	Thompson	A01K 97/22	9,297,548 B2 †	3/2016	Mijanovic	B60H 1/00885
			206/31	9,320,938 B1 †	4/2016	Belmore	A63B 21/075
D585,725 S *	2/2009	Le	D8/331	D756,513 S †	5/2016	Cheney	D24/133
7,540,364 B2	6/2009	Sanderson		D759,590 S †	6/2016	Wang	D13/119
D597,366 S	8/2009	Drake et al.		9,366,467 B2 †	6/2016	Kiedaisch	F25D 3/00
D603,664 S †	11/2009	Roefs	D7/605	D762,442 S *	8/2016	Thomson	D8/343
7,722,204 B1 †	5/2010	Sandberg	F25D 27/005	D763,059 S *	8/2016	Thomson	D8/343
			362/15	D779,306 S †	2/2017	Finkelstein	D8/331
				9,605,443 B2	3/2017	Shah et al.	
				D792,486 S †	7/2017	Li	D15/81
				D802,028 S †	11/2017	Li	D15/81
				D802,029 S †	11/2017	Li	D15/81
				D802,630 S †	11/2017	Li	D15/81
				9,828,137 B2 †	11/2017	Albert	B65D 21/0223
				9,878,841 B2 †	1/2018	Holderness	B67D 3/0067
				D820,049 S †	6/2018	Ahlstrom	D7/605



(56)

References Cited

U.S. PATENT DOCUMENTS

D826,027 S † 8/2018 Carey ..... D8/331  
 D835,552 S † 12/2018 Goodrich et al.  
 D835,948 S † 12/2018 Jacobsen ..... D7/605  
 D836,402 S † 12/2018 Jacobsen ..... D7/605  
 D836,993 S † 1/2019 Meda ..... D7/605  
 D836,994 S † 1/2019 Meda ..... D7/605  
 D844,386 S † 4/2019 Ahlstrom ..... D7/605  
 D844,412 S † 4/2019 Von Holzhausen ..... D8/337  
 D850,839 S † 6/2019 Hardy et al.  
 D857,559 S † 8/2019 Hein et al.  
 D861,415 S † 10/2019 Seiders et al.  
 10,429,116 B2 † 10/2019 Huish ..... A45C 11/20  
 D887,788 S † 6/2020 Meda ..... D7/605  
 D888,503 S † 6/2020 Meda ..... D7/605  
 D922,176 S \* 6/2021 Bullock ..... B65D 45/24  
 D922,854 S \* 6/2021 Le ..... D8/336  
 D924,614 S \* 7/2021 Oudenhoven ..... D6/366  
 D931,707 S \* 9/2021 Qiao ..... D8/338  
 D933,449 S † 10/2021 Ahlström et al.  
 D945,249 S \* 3/2022 Puskar-Pasewicz ..... D8/336  
 D964,841 S \* 9/2022 Perez-Castro ..... D8/331  
 D965,409 S \* 10/2022 Bullock ..... D8/336  
 D968,197 S \* 11/2022 Gusi Gracia ..... D8/354  
 2004/0178208 A1 † 9/2004 Leba ..... F25D 3/08  
 2005/0263527 A1 † 12/2005 Maldonado ..... A45C 13/40  
 2006/0169691 A1 † 8/2006 Rothschild ..... A45C 7/0054  
 2007/0193297 A1 † 8/2007 Wilson ..... F25D 29/00  
 2009/0139245 A1 † 6/2009 Blackway ..... F25B 21/02  
 2009/0314018 A1 † 12/2009 Burchill ..... F25B 31/006  
 2010/0251750 A1 † 10/2010 Lifson ..... F25B 1/10  
 2011/0030399 A1 † 2/2011 Lifson ..... B60H 1/00385  
 2011/0041523 A1 † 2/2011 Taras ..... F25B 9/008  
 2011/0162395 A1 † 7/2011 Chakiachvili ..... B60H 1/00014  
 2011/0226785 A1 † 9/2011 Sakell ..... A01K 97/20  
 2012/0011866 A1 † 1/2012 Scarcella ..... F25B 1/10  
 2012/0085123 A1 † 4/2012 Wasnievski da Silva ..... F25D 19/02  
 2012/0132657 A1 † 5/2012 Seiders ..... B65D 81/3816  
 2012/0198866 A1 † 8/2012 Zeidner ..... F25D 11/003  
 2012/0318006 A1 † 12/2012 Liu ..... F25B 41/043  
 2012/0318014 A1 † 12/2012 Huff ..... F25B 1/10  
 2013/0062356 A1 † 3/2013 Deka ..... B65D 81/3823  
 2014/0013789 A1 † 1/2014 Conrad et al.  
 2014/0014669 A1 † 1/2014 Smith  
 2014/0191544 A1 † 7/2014 Comber, V ..... A47C 7/021  
 2014/0314607 A1 † 10/2014 Maeyama ..... F04C 18/3564  
 2014/0338390 A1 † 11/2014 Pinto ..... F25D 11/003  
 2015/0000318 A1 † 1/2015 Pinto ..... F25B 1/00  
 2015/0008242 A1 † 1/2015 Kpabar, Jr. .... B67D 3/0061

2015/0021106 A1 † 1/2015 LaRosa ..... A45C 11/20  
 2015/0114024 A1 † 4/2015 Grepper ..... B01F 7/0025  
 2015/0122827 A1 † 5/2015 Smith ..... F25D 3/08  
 2015/0241107 A1 † 8/2015 Mech ..... F25D 3/08  
 2015/0322698 A1 † 11/2015 Seiders ..... B65D 81/3816  
 2015/0353263 A1 † 12/2015 Seiders ..... B65D 25/18  
 2015/0357755 A1 † 12/2015 Hastings ..... H01R 12/7005  
 2015/0375918 A1 † 12/2015 Holderness ..... B65D 83/00  
 2016/0046418 A1 † 2/2016 Crull ..... B65D 25/28  
 2016/0101924 A1 † 4/2016 Mitchell ..... A45C 7/0077  
 2016/0272047 A1 † 9/2016 Gan ..... B60H 1/3223  
 2017/0023290 A1 † 1/2017 Demuth ..... F25D 11/003  
 2017/0305638 A1 † 10/2017 Sonntag ..... B65D 81/3813  
 2017/0313492 A1 † 11/2017 Seiders et al.  
 2018/0141718 A1 † 5/2018 Ahlstrom ..... A45F 3/46  
 2018/0273258 A1 † 9/2018 Luburic ..... B65D 55/06  
 2019/0152677 A1 † 5/2019 Hoyt  
 2019/0161240 A1 † 5/2019 Ahlstrom ..... A45F 3/46

FOREIGN PATENT DOCUMENTS

AU 201712802 † 5/2017  
 AU 201712803 † 5/2017  
 AU 201712785 S † 7/2017  
 AU 201712785 S † 7/2017  
 AU 201712791 S † 11/2017  
 AU 201712791 S † 11/2017  
 AU 201716789 † 11/2017  
 AU 201716791 S † 11/2017  
 AU 201716791 S † 11/2017  
 CA 1 249 731 A1 † 2/1989  
 CA 1 249 731 A1 † 2/1989  
 CN 1240728 A † 1/2000  
 CN 1240728 A † 1/2000 ..... B60H 1/3222  
 CN 1498311 A † 5/2004 ..... F04C 18/328  
 CN 1498311 A † 5/2004  
 CN 1629478 A † 6/2005  
 CN 1629478 A † 6/2005  
 CN 200985884 Y † 12/2007  
 CN 200985884 Y † 12/2007  
 CN 101431913 A † 5/2009  
 CN 102257278 A † 11/2011 ..... F04C 18/322  
 CN 102257278 A † 11/2011  
 CN 102261334 A † 11/2011 ..... F01C 21/02  
 CN 202066275 U † 12/2011  
 CN 202066275 U † 12/2011  
 CN 103237990 A † 8/2013  
 CN 103237990 A † 8/2013  
 CN 103471438 A † 12/2013  
 CN 103542661 A † 1/2014  
 CN 103963600 A † 8/2014  
 CN 103963600 A † 8/2014  
 CN 104583692 A † 4/2015  
 CN 104697279 A † 6/2015  
 CN 104697279 A † 6/2015  
 CN 106062367 A † 10/2016 ..... F04C 29/068  
 CN 106062367 A † 10/2016  
 CN 106068433 A † 11/2016  
 CN 304400680 S † 12/2017  
 CN 304400680 S † 12/2017  
 DE 30 02 260 A1 † 7/1981  
 DE 30 02 260 A1 † 7/1981  
 DE 41 42 534 A1 † 7/1992  
 DE 41 42 534 A1 † 7/1992  
 EM 004006476-0001 † 5/2017  
 EM 004006476-0002 † 5/2017  
 EM 004006476-0003 † 5/2017



(56)

## References Cited

## FOREIGN PATENT DOCUMENTS

EM	004007706-0001	‡	5/2017	
EM	004007706-0002	‡	5/2017	
EP	0 958 952 A1	‡	11/1999	..... B60H 1/3229
EP	0 958 952 A1	‡	11/1999	
EP	1 867 504 A2	‡	12/2007	
EP	1 867 504 A2	‡	12/2007	..... B60H 1/00428
JP	H08-247601 A	‡	9/1996	
JP	H08-247601 A	‡	9/1996	
SG	194217 A1	‡	11/2013	
SG	194217 A1	‡	11/2013	
TH	66500 S	‡	11/2018	
TH	66500 S	‡	11/2018	
WO	2006/009537 A1	‡	1/2006	
WO	WO-2006/009537 A1	‡	1/2006	..... A47G 23/0225
WO	2010/131061 A1	‡	11/2010	
WO	WO-2010/131061 A1	‡	11/2010	..... F25B 1/00
WO	2018095957 A1	‡	5/2018	
WO	WO-2018095957 A1	‡	5/2018	..... A45F 3/46

## OTHER PUBLICATIONS

European Design Patent Application No. 003476415-0002 entitled “” filed Nov. 22, 2016.‡

European Design Patent Application No. 003476415-0001 entitled “” filed Nov. 22, 2016.‡

European Design Patent Application No. 003476415-0005 entitled “” filed Nov. 22, 2016.‡

Australian Patent Application No. 2017365438 filed May 6, 2019 entitled “Cooler”.‡

European Patent Office, International Search Report and Written Opinion for PCT/EP2017/080018 dated Jan. 25, 2018.‡

“Liddup Coolers,” retrieved from Internet URL: <https://web.archive.org/web/20161118120853/http://liddup.com/about.html>, retrieved on Jun. 13, 2019, pp. 5.‡

European Design Patent Application No. 003476415-0007 entitled “” filed Nov. 22, 2016.‡

European Design Patent Application No. 003847557-0005 entitled “Smart Cooler” filed Apr. 7, 2017.‡

European Design Patent Application No. 003476415-0006 entitled “” filed Nov. 22, 2016.‡

European Design Patent Application No. 003476415-0004 entitled “” filed Nov. 22, 2016.‡

Likchinlow “Igloo Announces Cooler with LiddUp LED Lighting System,” Retrieved from Internet URL: [https://www.ledinside.com/products/2015/1/igloo\\_announces\\_cooler\\_with\\_liddup\\_led\\_lighting\\_system](https://www.ledinside.com/products/2015/1/igloo_announces_cooler_with_liddup_led_lighting_system), published on Jan. 12, 2015, pp. 3.‡

European Design Patent Application No. 003847557-0003 entitled “Smart Cooler” filed Apr. 7, 2017.‡

European Design Patent Application No. 003476415-0003 entitled “” filed Nov. 22, 2016.‡

“Igloo Coolers,” retrieved from Internet URL: <https://web.archive.org/web/20161026143451/https://www.igloocoolers.com/igloo-life/campaigns-party-on>, retrieved on Jun. 13, 2019, pp. 6.‡

European Design Patent Application No. 003847557-0004 entitled “Smart Cooler” filed Apr. 7, 2017.‡

International Preliminary Report on Patentability for PCT/EP2017/080018 dated May 28, 2019.‡

European Design Patent Application No. 003847557-0001 entitled “Smart Cooler” filed Apr. 7, 2017.‡

European Design Patent Application No. 003847557-0002 entitled “Smart Cooler” filed Apr. 7, 2017.‡

Australian Patent Application No. AU201716791 filed Nov. 8, 2017.‡

Australian Patent Application No. AU201716789 filed Nov. 8, 2017.‡

Thailand Design Patent Application No. 1702001859 entitled “Cooler” filed May 22, 2017.‡

Design U.S. Appl. No. 29/585,272 entitled “Cooler” filed Nov. 22, 2016.‡

European Design Patent Application No. 003482694 entitled “Cooler” filed Nov. 25, 2016.‡

Design U.S. Appl. No. 29/604,426 entitled Cooler filed May 17, 2017.‡

Design U.S. Appl. No. 29/605,186 entitled Refrigerating Apparatus filed May 24, 2017.‡

Dometic RV Refrigeration, Portable Freezers/Refrigerators, Dometic Product Catalog 2015.‡

Design U.S. Appl. No. 29/604,424 entitled Cooler filed May 17, 2017.‡

Dometic CF Portable Coolers, Dometic Product Catalog 2016.‡

Chinese Design Patent Application No. 201730180148.2 entitled “Refrigerating Apparatus” filed May 16, 2017.‡

Transmittal Letter of Related Cases.‡

Chinese Design Patent Application No. 201730180150 entitled “Latch” filed May 16, 2017.‡

Design U.S. Appl. No. 29/708,155 entitled “Latch” filed Oct. 3, 2019.‡

Design U.S. Appl. No. 29/670,888 entitled “Cooler” filed Nov. 20, 2018.‡

U.S. Appl. No. 62/425,288 entitled “Cooler” filed Nov. 22, 2016.‡

Non-Final Rejection Mailed in U.S. Appl. No. 16/264,057 dated Oct. 3, 2019.‡

Design U.S. Appl. No. 29/670,885 entitled “Cooler” filed Nov. 20, 2018.‡

Non-Final Rejection Mailed in U.S. Appl. No. 15/819,950 dated Oct. 1, 2019.‡

Notice of Allowance received in Design U.S. Appl. No. 29/670,888 dated May 26, 2020.‡

Notice of Allowance received in Design U.S. Appl. No. 29/670,885 dated May 26, 2020.‡

United States Patent and Trademark Office, Final Office Action dated Jul. 16, 2020 in U.S. Appl. No. 15/819,950.‡

Rejection Decision Issued in China Patent Application No. 201780072126.1 dated Jun. 3, 2021.‡

Notice of Allowance Issued in Design U.S. Appl. No. 29/708,155 dated Oct. 27, 2021.

Notice of Allowance and Fees Due received in Design U.S. Appl. No. 29/604,424 dated Aug. 10, 2018.

Restriction Requirement received in Design U.S. Appl. No. 29/585,272 dated Oct. 2, 2017.

Restriction Requirement received in Design U.S. Appl. No. 29/585,279 dated Feb. 8, 2019.

Notice of Allowance received in Design U.S. Appl. No. 29/628,767 dated Nov. 6, 2018.

United States Patent and Trademark Office, Final Office Action issued in U.S. Appl. No. 15/819,950 dated Mar. 15, 2022.

Notice of Allowance received in Design U.S. Appl. No. 29/585,279 dated Apr. 22, 2020.

Corrected Notice of Allowance Issued in Design U.S. Appl. No. 29/708,155 dated Nov. 15, 2021.

Office Action received in German Patent Application No. 112017005901.1 dated Oct. 11, 2021.

Notice of Allowance received in Design U.S. Appl. No. 29/670,888 dated Feb. 19, 2020.

Notice of Allowance received in Design U.S. Appl. No. 29/670,885 dated Feb. 27, 2020.

Non Final Office Action Issued in U.S. Appl. No. 15/819,950 dated Sep. 30, 2021.

Notice of Allowance received in Design U.S. Appl. No. 29/585,272 dated Jan. 26, 2018.

Notice of Allowance received in Design U.S. Appl. No. 29/585,279 dated Sep. 26, 2019.

Notice of Allowance and Fees Due received in Design U.S. Appl. No. 29/604,426 dated Aug. 10, 2018.

Design U.S. Appl. No. 29/585,279 entitled “Latch” filed Nov. 22, 2016.

Notice of Allowance Issued in U.S. Appl. No. 29/585,279 dated Jun. 4, 2021.

Examination Report No. 1 for Australia Patent Application No. 2017365438 dated Jul. 28, 2022.

U.S. Appl. No. 17/887,106 titled “Cooler” filed Aug. 12, 2022.

(56)

**References Cited**

OTHER PUBLICATIONS

Notice of Allowance Mailed in U.S. Appl. No. 15/819,950 dated Aug. 22, 2022.

Supplemental Notice of Allowability Mailed in U.S. Appl. No. 15/819,950 dated Sep. 22, 2022.

Notice of Allowance received in Design U.S. Appl. No. 29/585,279 dated Jun. 24, 2020.

Final Rejection Mailed in U.S. Appl. No. 15/819,950 dated Jul. 16, 2020.

Final Rejection Mailed in U.S. Appl. No. 16/264,057 dated Jul. 20, 2020.

Office Action received in China Patent Application No. 201780072126.1 dated Oct. 29, 2020.

Non Final Office Action Issued in U.S. Appl. No. 16/264,057 dated Aug. 30, 2021.

Supplemental Notice of Allowance Issued in U.S. Appl. No. 29/585,279 dated Aug. 4, 2021.

International Search Report and Written Opinion Issued in PCT Application No. PCT/US2020/063545 dated Mar. 10, 2021, 9 Pages.

U.S. Appl. No. 62/967,199 entitled "Cooler Latch " filed Jan. 29, 2020.

U.S. Appl. No. 17/113,253 entitled "Cooler Latch " filed Jul. 12, 2020.

Notice of Allowance Issued in U.S. Appl. No. 16/264,057 dated Mar. 30, 2022.

Supplemental Notice of Allowance Issued in U.S. Appl. No. 16/264,057 dated Apr. 14, 2022.

\* cited by examiner

‡ imported from a related application

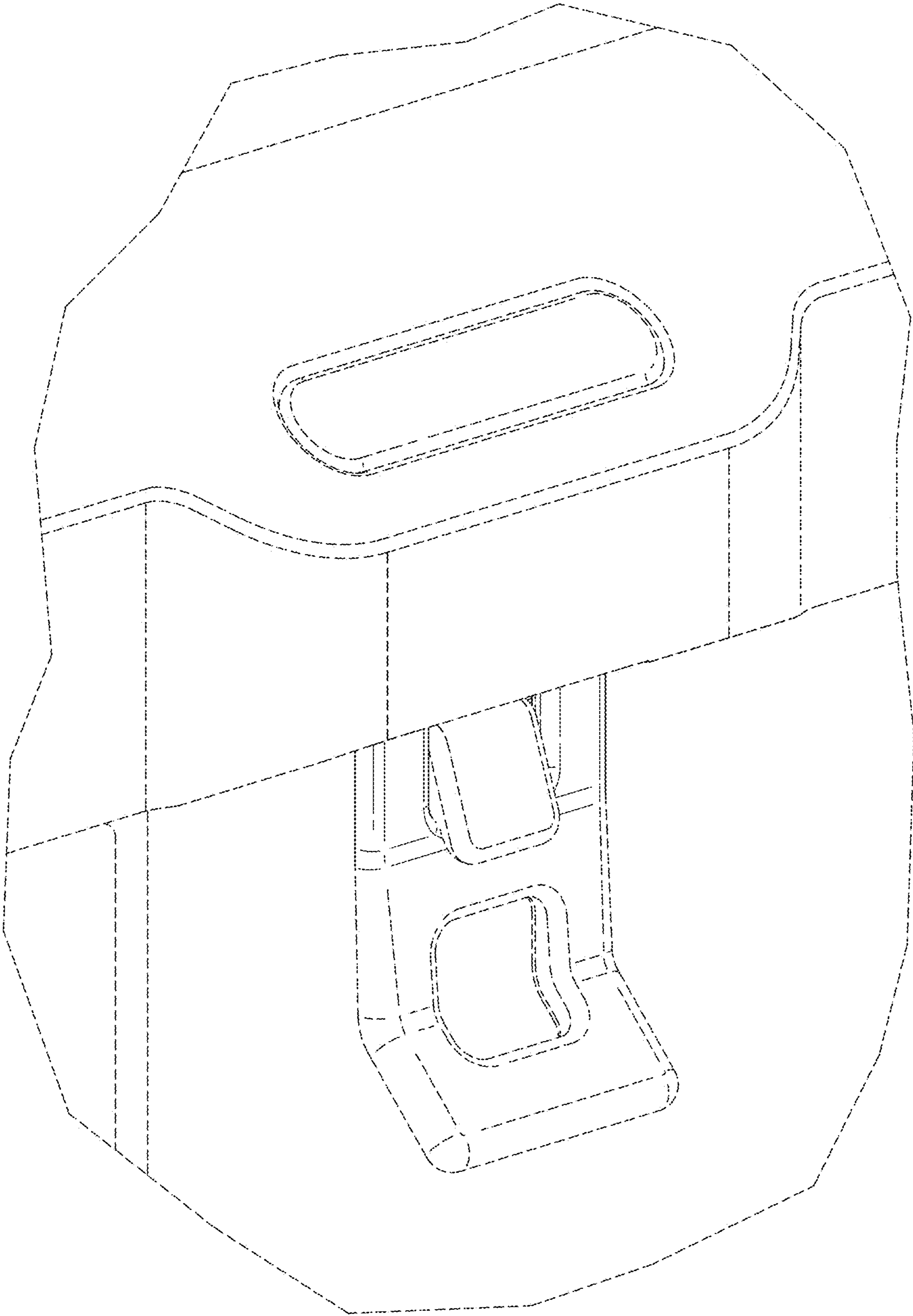


FIG. 1



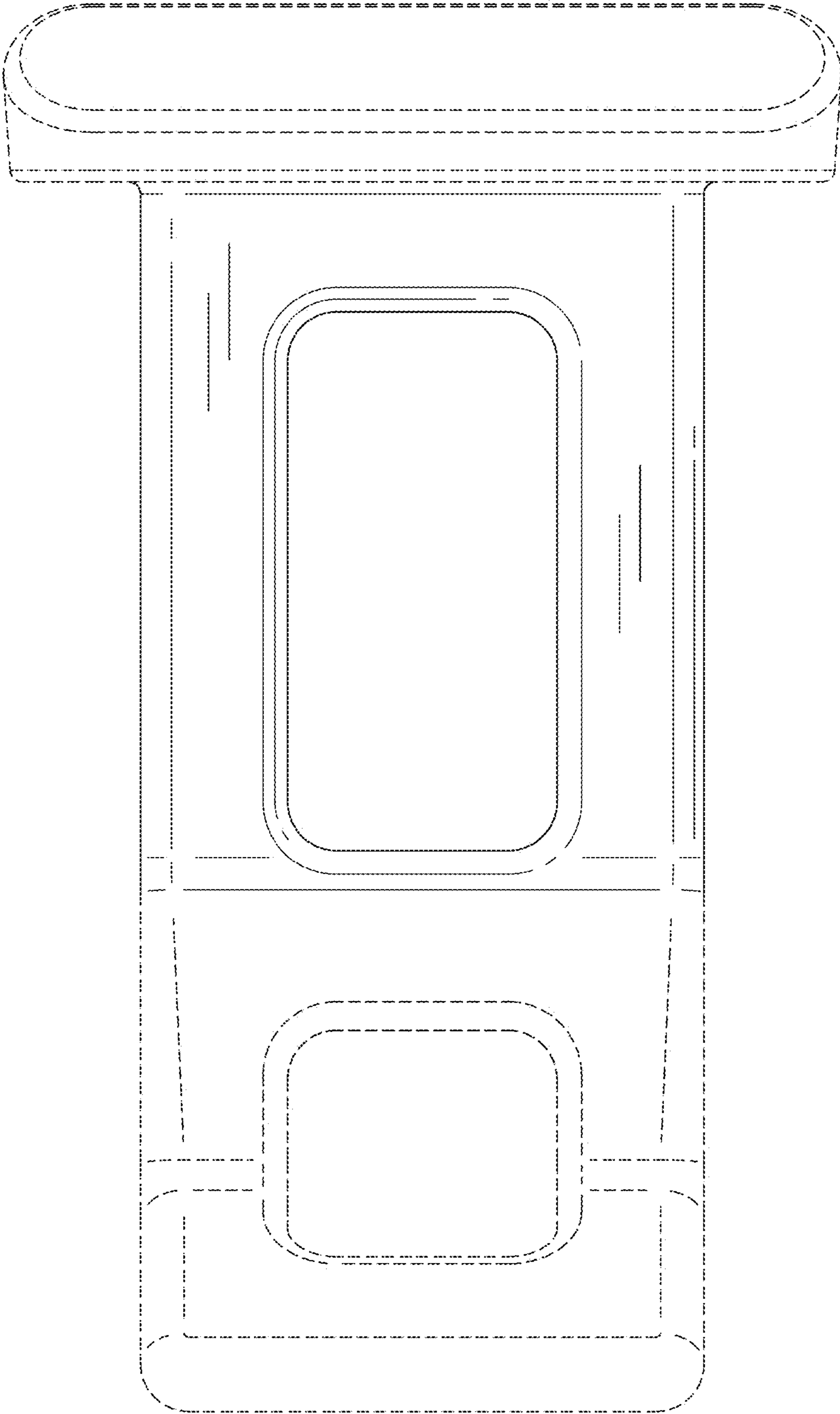


FIG. 2

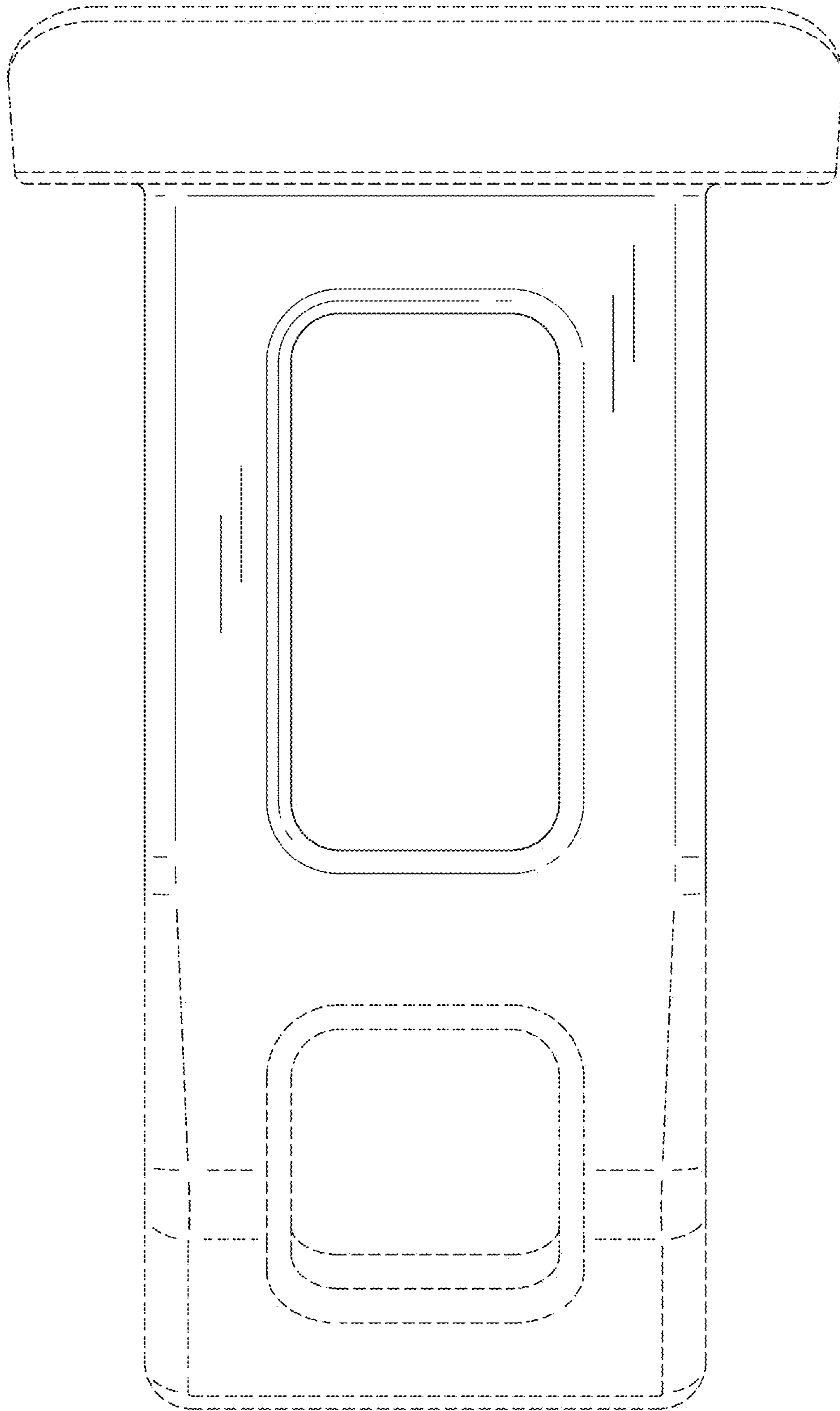


FIG. 3



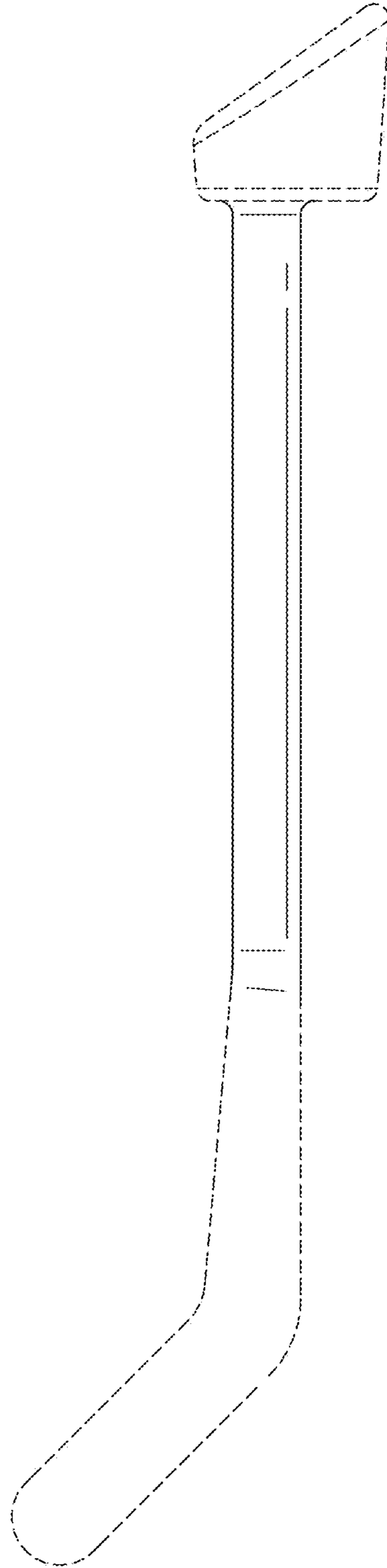


FIG. 4

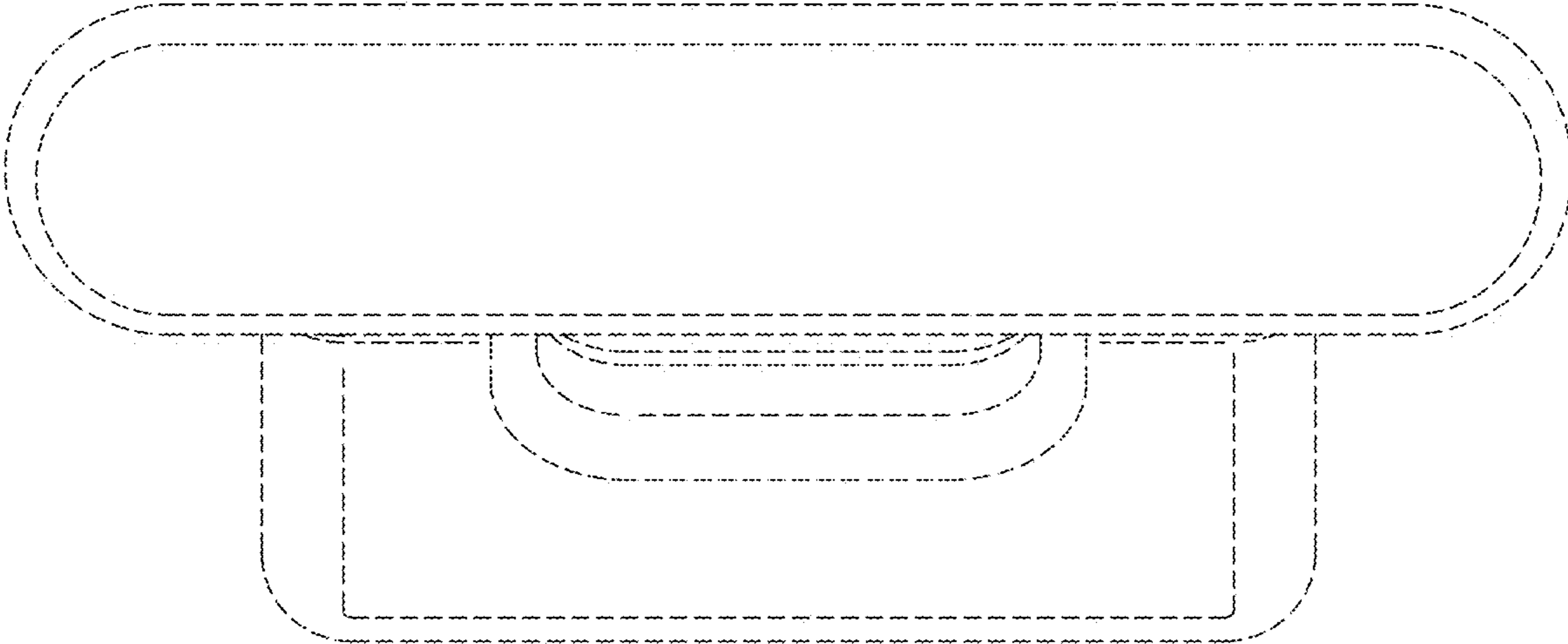


FIG. 5



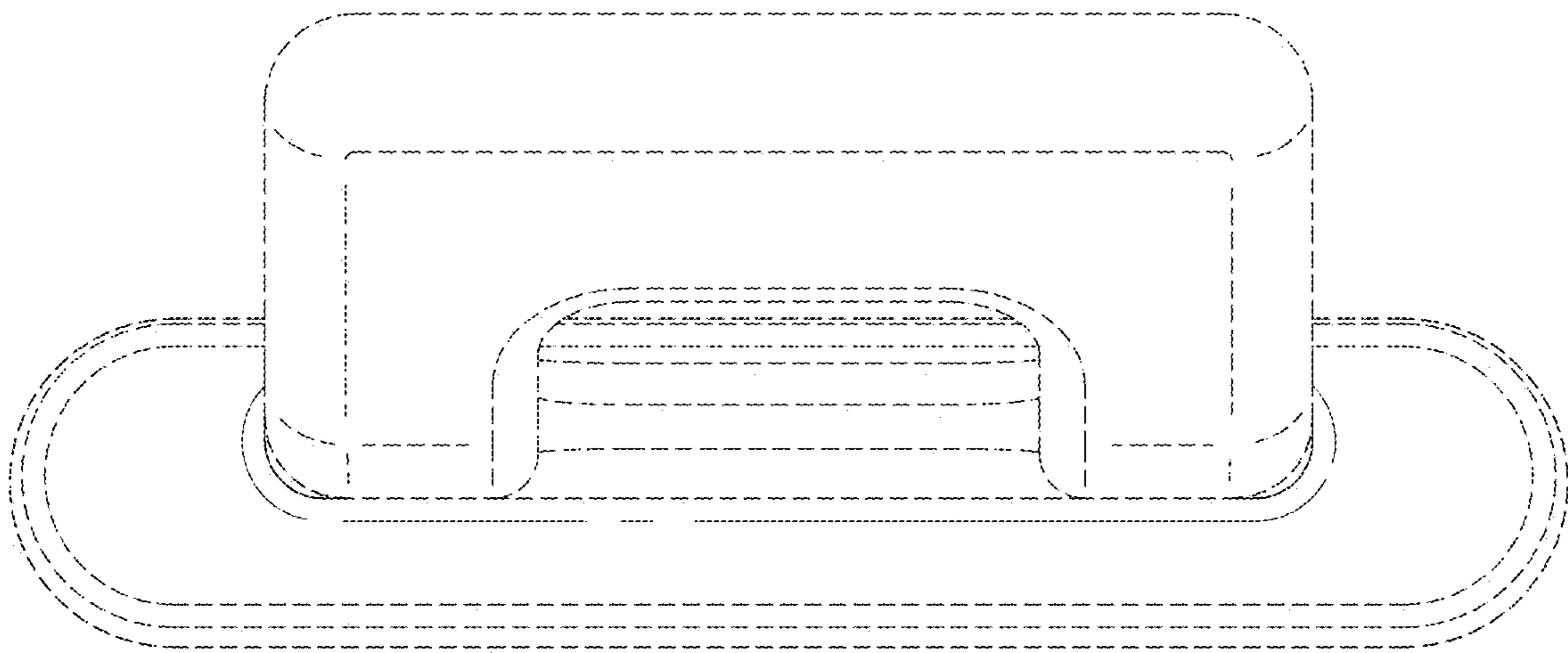


FIG. 6