



US00D985358S

(12) **United States Design Patent** (10) **Patent No.:** **US D985,358 S**
Schultheiss et al. (45) **Date of Patent:** **** May 9, 2023**

(54) **INDICATOR FOR A SUBSEA VALVE ACTUATOR**

(71) Applicant: **Robert Bosch GmbH**, Stuttgart (DE)

(72) Inventors: **Martin Schultheiss**, Schwäbisch Gmünd (DE); **Gottfried Hendrix**, Gemuenden (DE); **Markus Kubacki**, Veitshoechheim (DE); **Alexandre Orth**, Hettstadt (DE); **Heinrich Hensler**, Schwäbisch Gmünd (DE)

(73) Assignee: **Robert Bosch GmbH**, Stuttgart (DE)

(**) Term: **15 Years**

(21) Appl. No.: **29/782,001**

(22) Filed: **May 3, 2021**

(30) **Foreign Application Priority Data**

Mar. 29, 2021 (EM) 008479471-0001
Mar. 29, 2021 (EM) 008479471-0002
Mar. 29, 2021 (EM) 008479471-0003
Mar. 29, 2021 (EM) 008479471-0004

(51) **LOC (14) Cl.** **13-03**

(52) **U.S. Cl.**
USPC **D8/330; D13/158**

(58) **Field of Classification Search**
USPC D8/330, 331, 332, 336, 338, 339, 341, D8/346; D10/122, 123, 124, 125, 126, D10/132; D13/118, 158, 162, 169, 173, D13/177; D23/226, 227, 233, 245, 254, D23/386, 387, 421
CPC E05B 39/00; E05B 43/00; E05B 45/00; E05B 47/00; E05B 51/00; E05B 55/00; E05B 63/00; E05B 65/00; E05B 73/00; E05B 45/06; E05B 17/226; F16K 37/0008; F16K 31/084; E21B 47/0905
See application file for complete search history.

(56) **References Cited**

U.S. PATENT DOCUMENTS

D200,433 S * 2/1965 Etter D8/308
D271,373 S * 11/1983 Spira D13/125
D292,204 S * 10/1987 Booty, Sr. D13/169
D296,326 S * 6/1988 Osika D13/169
D296,327 S * 6/1988 Osika D13/169
D357,669 S * 4/1995 Stack D13/160
D373,114 S * 8/1996 Laidlaw D13/169
D380,453 S * 7/1997 Krajci D13/177
D432,900 S * 10/2000 Frey D8/338
D527,613 S * 9/2006 Omangi D8/331
D559,077 S * 1/2008 Samhammer D8/331

(Continued)

Primary Examiner — David G Muller

Assistant Examiner — Christina Gabrielle Cosden

(74) *Attorney, Agent, or Firm* — Maginot, Moore & Beck, LLP

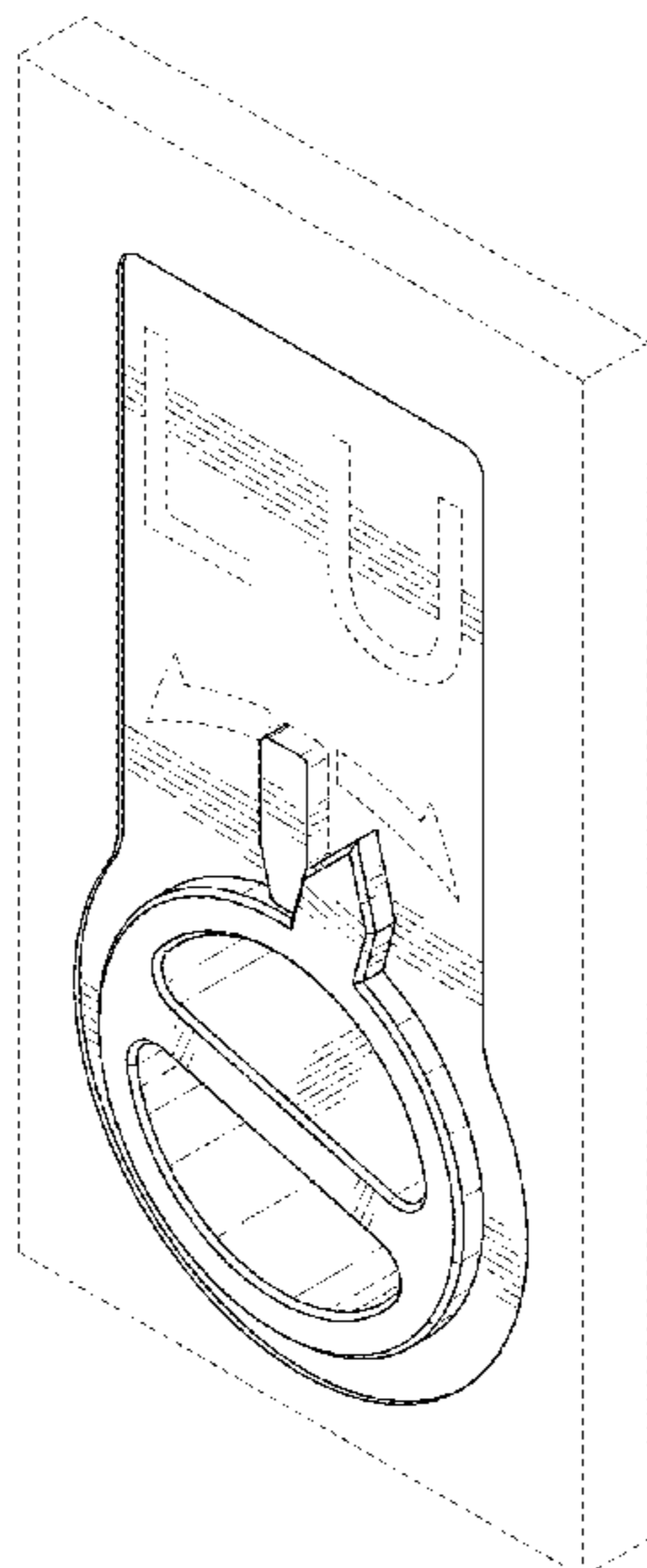
(57) **CLAIM**

The ornamental design for an indicator for a subsea valve actuator, as shown and described.

DESCRIPTION

FIG. 1 is a perspective view of an indicator for a subsea valve actuator showing our new design;
FIG. 2 is a right side elevational view of the indicator of FIG. 1;
FIG. 3 is a left side elevational view of the indicator of FIG. 1;
FIG. 4 is a front side elevational view of the indicator of FIG. 1;
FIG. 5 is a rear side elevational view of the indicator of FIG. 1;
FIG. 6 is a top plan view of the indicator of FIG. 1; and, FIG. 7 is a bottom plan view of the indicator of FIG. 1.
The broken lines shown in the drawings illustrate portions of the indicator for a subsea valve actuator that form no part of the claimed design.

1 Claim, 7 Drawing Sheets



(56)

References Cited

U.S. PATENT DOCUMENTS

| | | | |
|--------------|---------|-------------------|---------|
| D756,941 S * | 5/2016 | Zheng | D13/169 |
| D760,062 S * | 6/2016 | Groleski | D8/353 |
| D766,194 S * | 9/2016 | Zheng | D13/169 |
| D778,708 S * | 2/2017 | Jeng | D8/350 |
| D779,305 S * | 2/2017 | Ku | D8/330 |
| D812,574 S * | 3/2018 | Amano | D13/158 |
| D813,644 S * | 3/2018 | Finkelstein | D8/350 |
| D830,314 S * | 10/2018 | Huang | D13/170 |
| D869,261 S * | 12/2019 | Watson | D8/330 |
| D911,819 S * | 3/2021 | Liu | D8/350 |
| D927,959 S * | 8/2021 | Meyerhoffer | D8/331 |

* cited by examiner

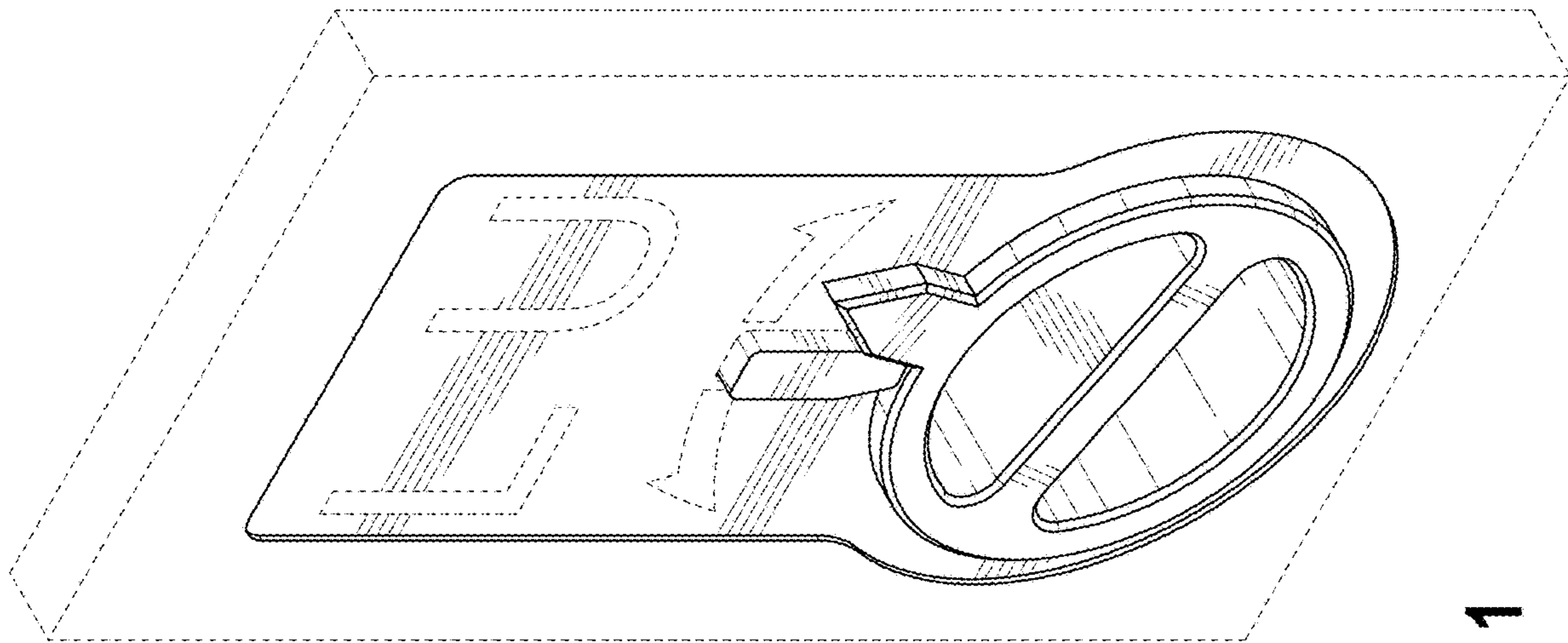


Fig. 1

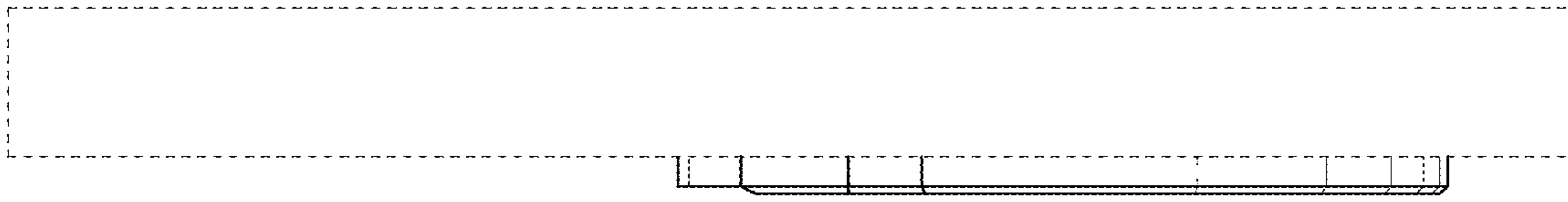


Fig. 2

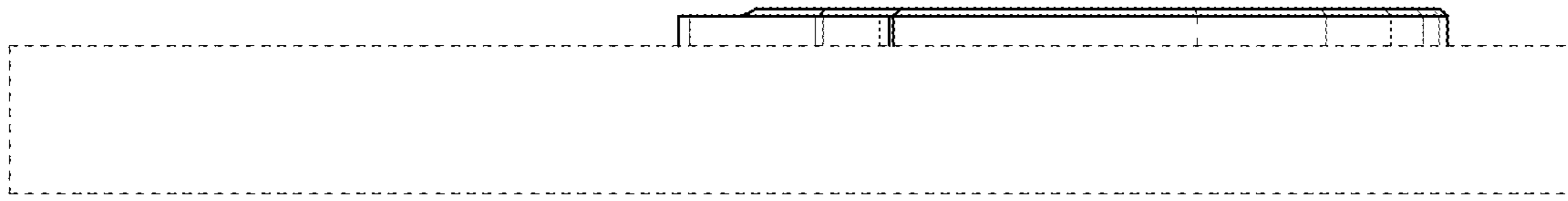


Fig. 3

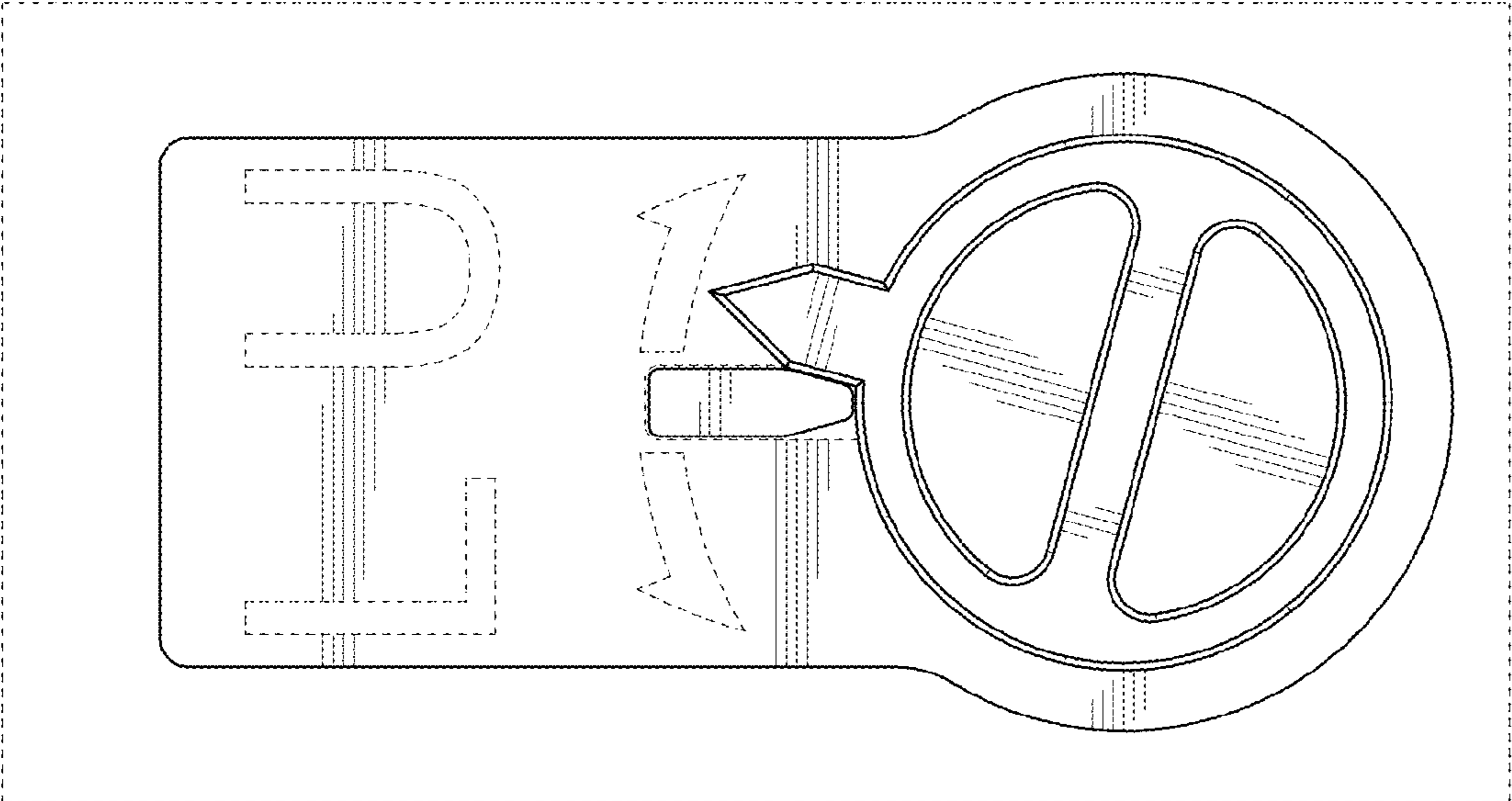


Fig. 4

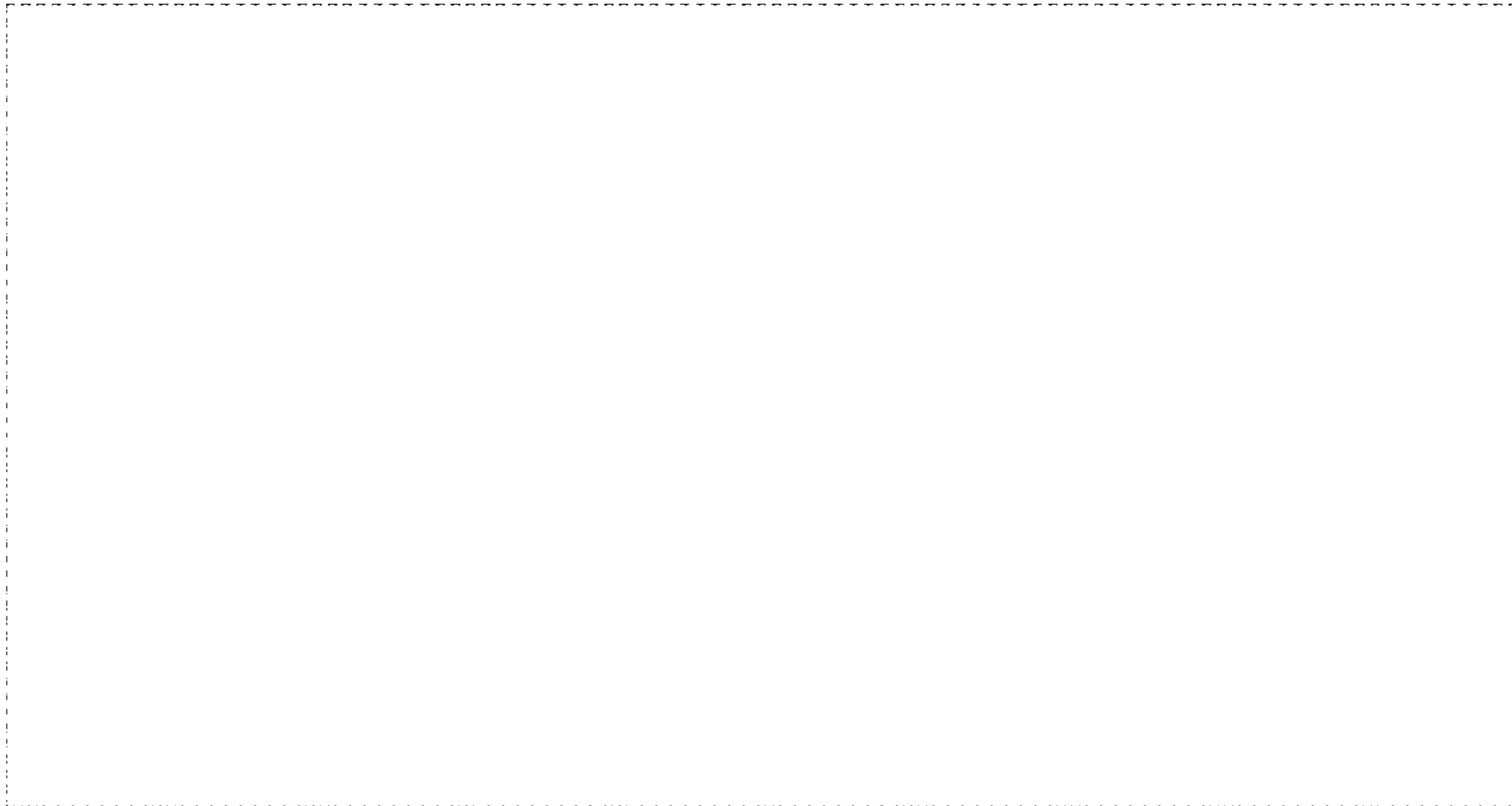


Fig. 5

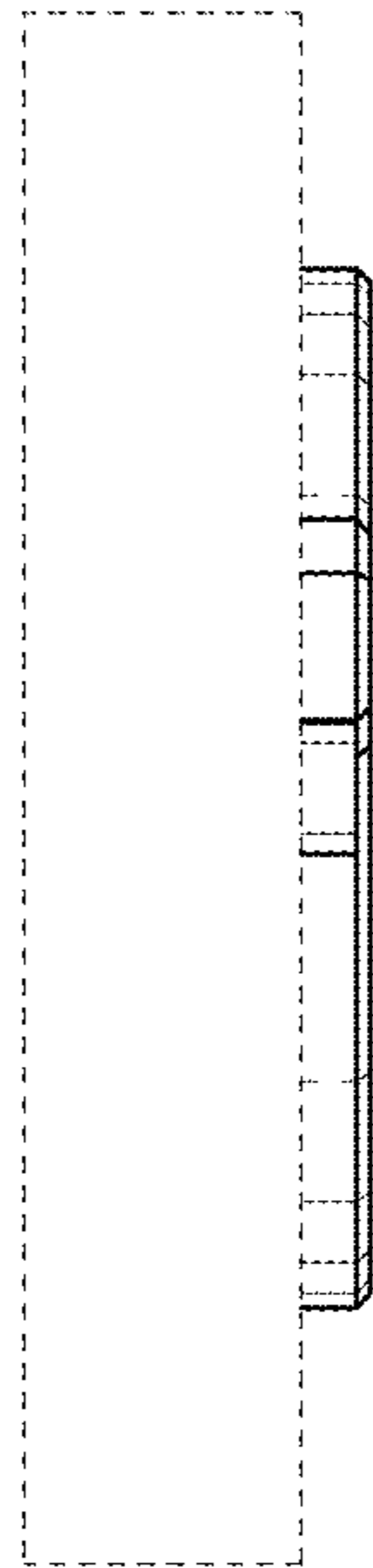


Fig. 6

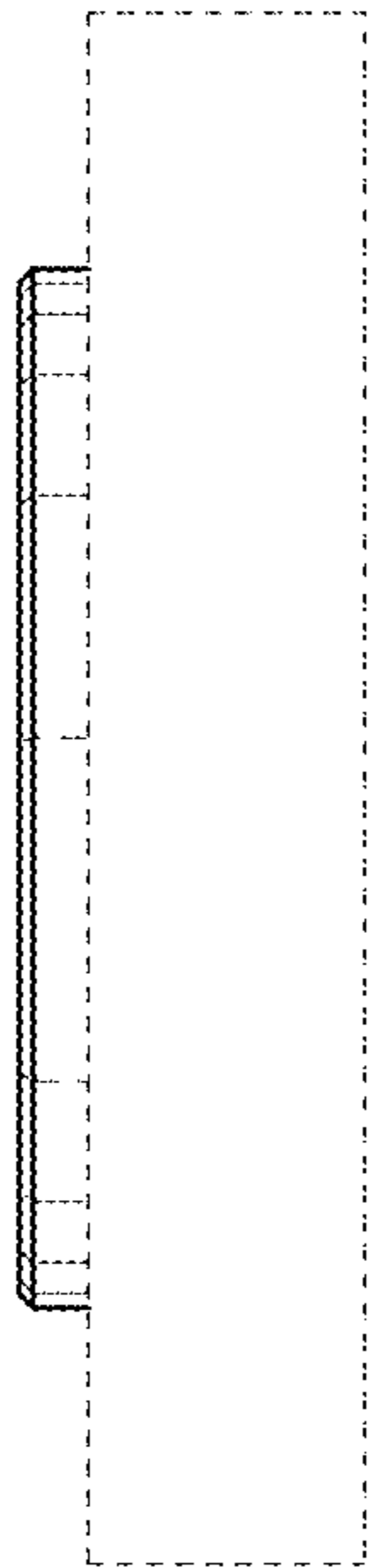


Fig. 7