



US00D985357S

(12) **United States Design Patent** (10) **Patent No.:** **US D985,357 S**
Ziulkowski et al. (45) **Date of Patent:** **** May 9, 2023**

- (54) **MAGNETO SAFETY GUARD** 3,112,947 A * 12/1963 Carpenter E05B 85/28
292/DIG. 41
- (71) Applicant: **Purdue Research Foundation**, West Lafayette, IN (US) D199,542 S * 11/1964 Humphries D8/341
D225,152 S * 11/1972 Robins D8/336
D274,691 S * 7/1984 Wallace D8/336
- (72) Inventors: **Jonathon Ziulkowski**, Lafayette, IN (US); **Michael Davis**, West Lafayette, IN (US) D302,237 S * 7/1989 O'Day D8/330
D347,159 S * 5/1994 Crocker, III D8/339
D358,978 S * 6/1995 Gisiger D8/331
D378,189 S * 2/1997 Small D8/346
D378,313 S * 3/1997 Doyle D8/367
D378,568 S * 3/1997 Small D8/346
- (73) Assignee: **Purdue Research Foundation**, West Lafayette, IN (US) D425,395 S * 5/2000 Ji D8/331
D487,560 S * 3/2004 Magnusson D8/338
D589,780 S * 4/2009 Fernandez D8/336
D781,683 S * 3/2017 Yi D8/354
D817,147 S * 5/2018 Llewellyn D8/343
D830,813 S * 10/2018 Garfinkle D8/354
- (**) Term: **15 Years**
- (21) Appl. No.: **29/779,495**

- (22) Filed: **Apr. 20, 2021**
- (51) **LOC (14) Cl.** **08-07**
- (52) **U.S. Cl.**
USPC **D8/330**
- (58) **Field of Classification Search**
USPC D8/330, 331, 332, 336, 338, 339, 341,
D8/346, 364, 354
CPC E05B 39/00; E05B 43/00; E05B 45/00;
E05B 47/00; E05B 51/00; E05B 55/00;
E05B 63/00; E05B 65/00; E05B 73/00;
E05B 45/06; E05B 17/226; B60R
16/0215
See application file for complete search history.

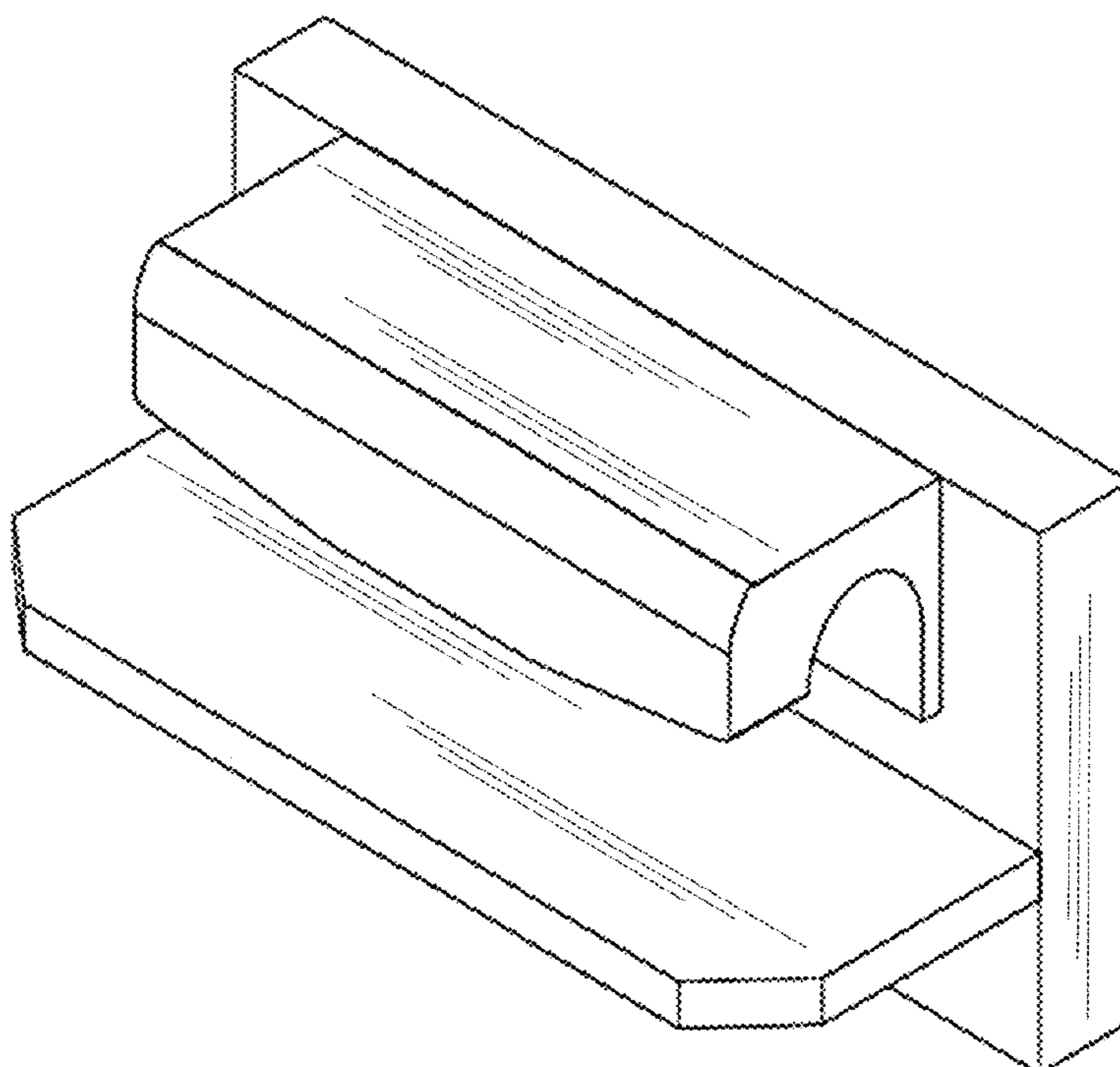
- (56) **References Cited**
U.S. PATENT DOCUMENTS
D56,303 S * 9/1920 O'Reilly D8/343
2,253,201 A * 8/1941 Schwarzmans H02K 21/02
310/70 R

* cited by examiner
Primary Examiner — David G Muller
Assistant Examiner — Christina Gabrielle Cosden
(74) *Attorney, Agent, or Firm* — Piroozzi-IP, LLC

(57) **CLAIM**
The ornamental design for a magneto safety guard, as shown and described.

DESCRIPTION
FIG. 1 is a perspective view of the magneto safety guard according to a first embodiment;
FIG. 2 is a front view thereof;
FIG. 3 is a rear view thereof;
FIG. 4 is an enlarged side view thereof;
FIG. 5 is a top view thereof; and,
FIG. 6 is a bottom view thereof.

1 Claim, 6 Drawing Sheets



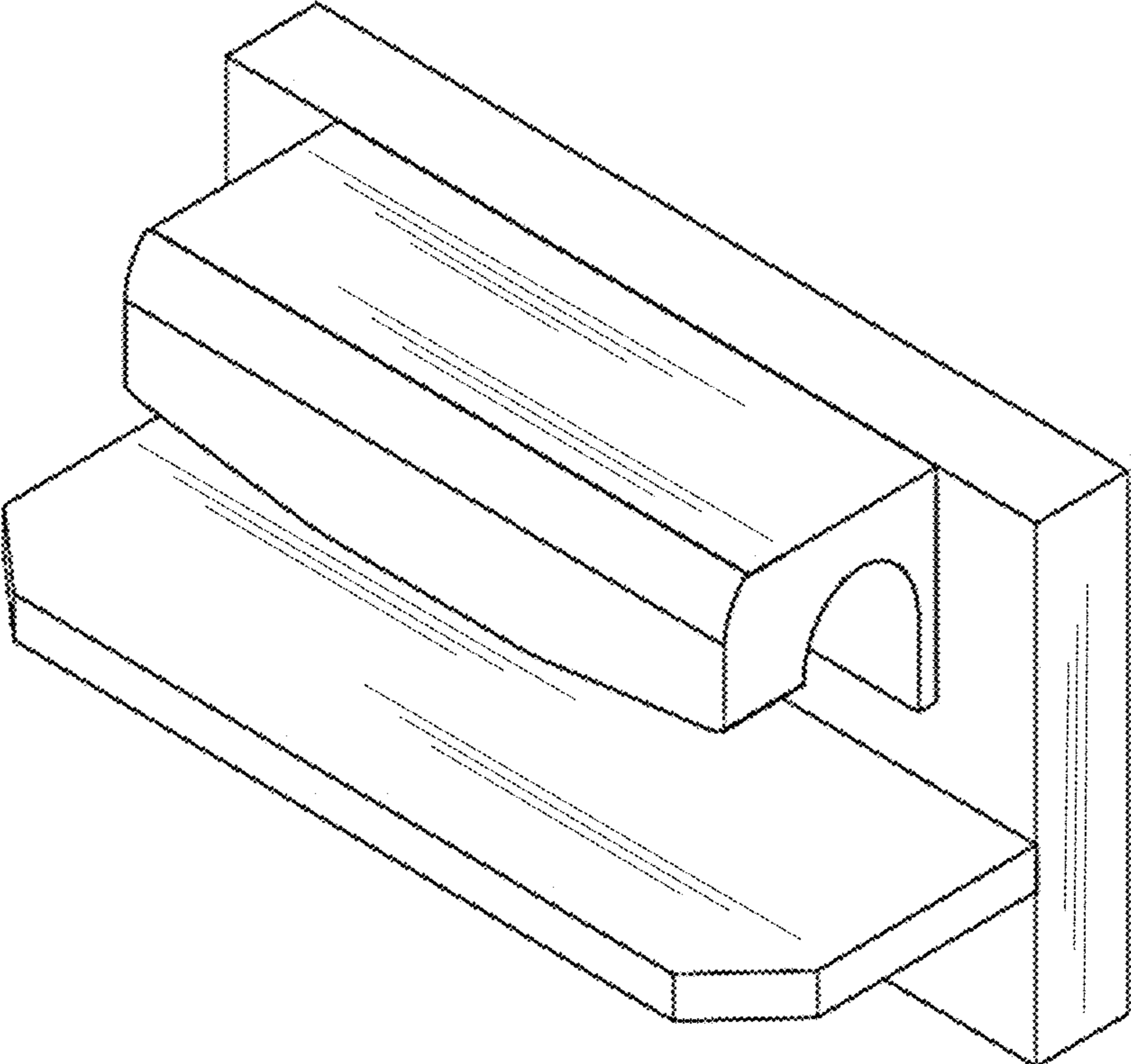


FIG. 1

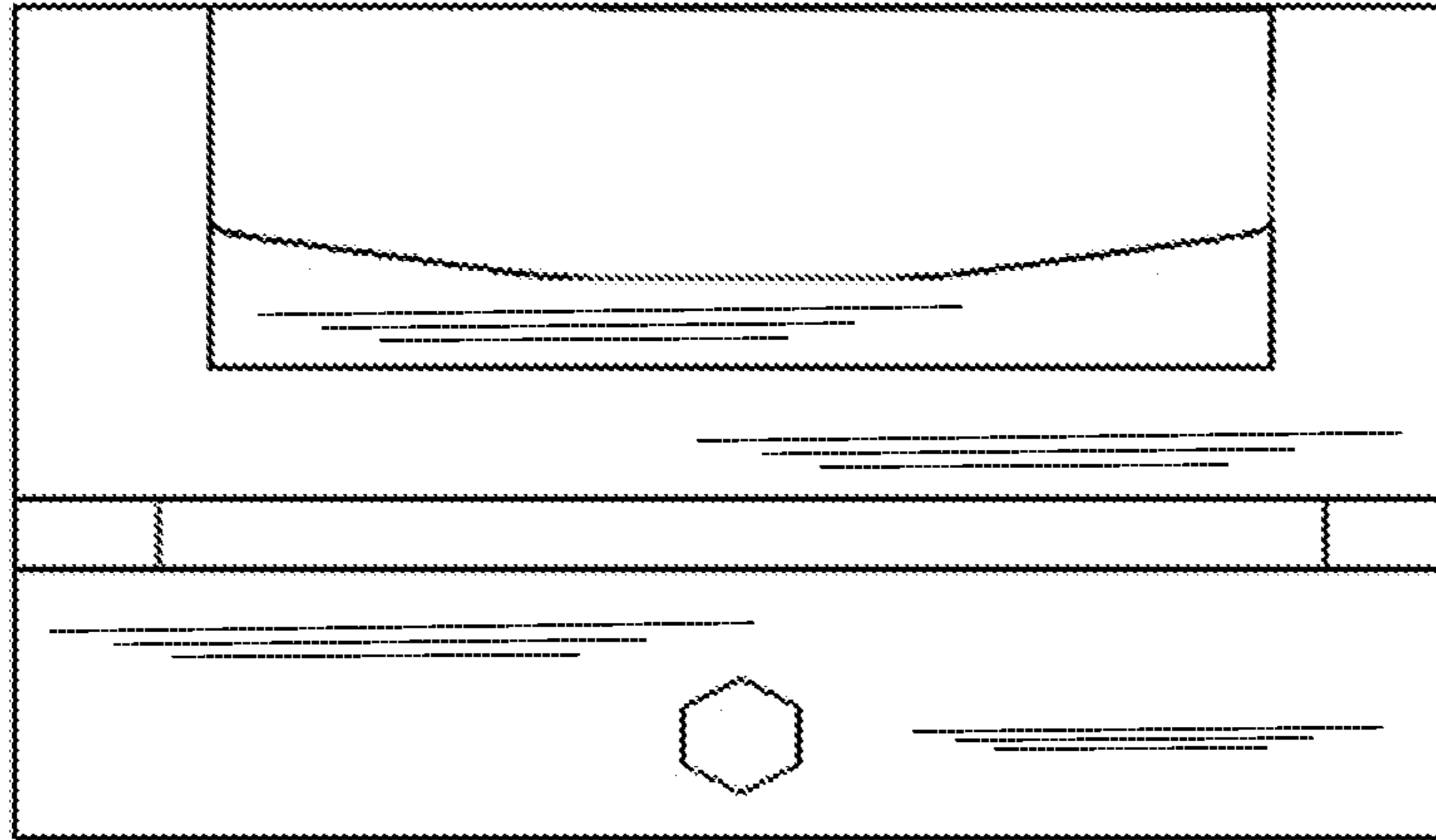


FIG. 2

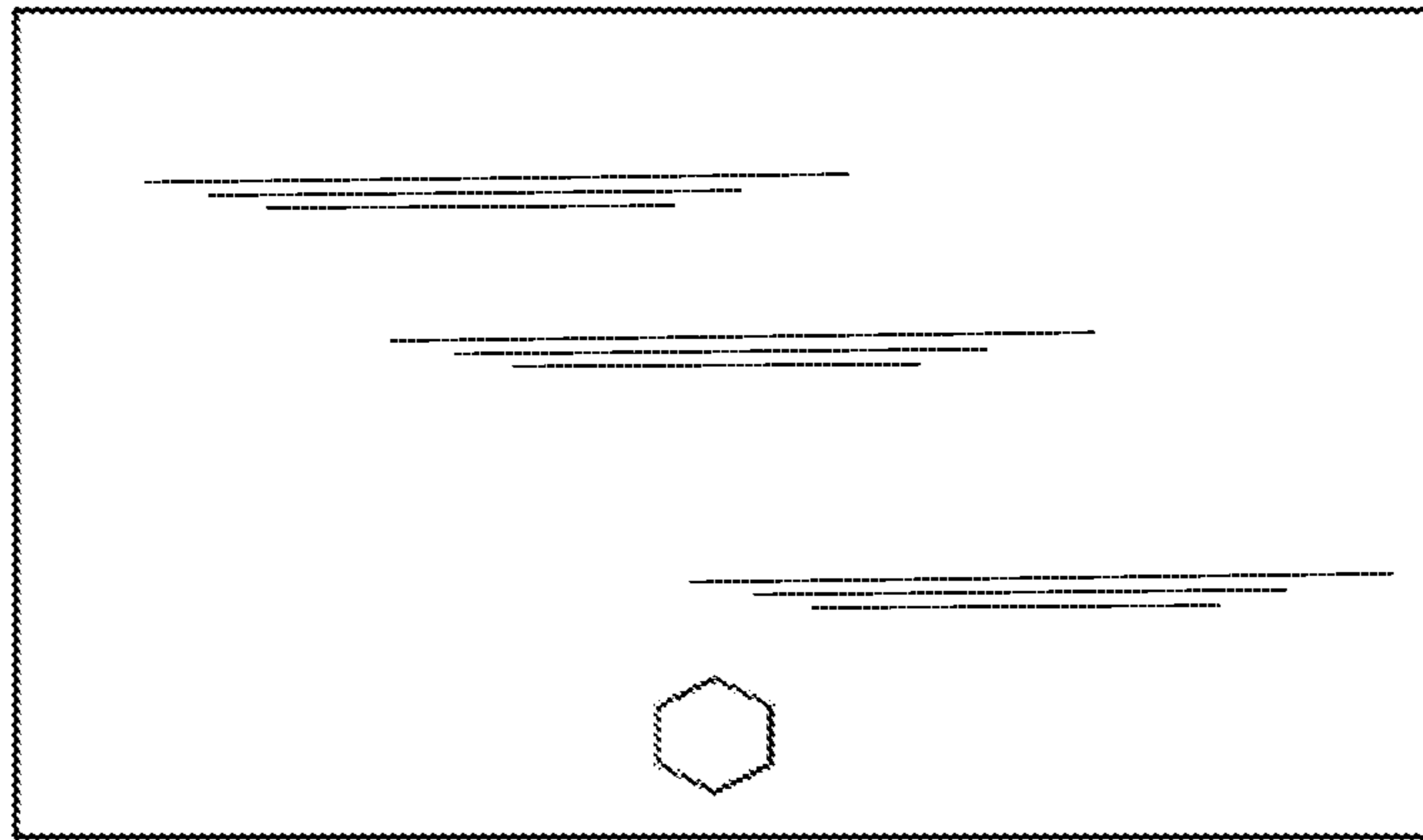


FIG. 3

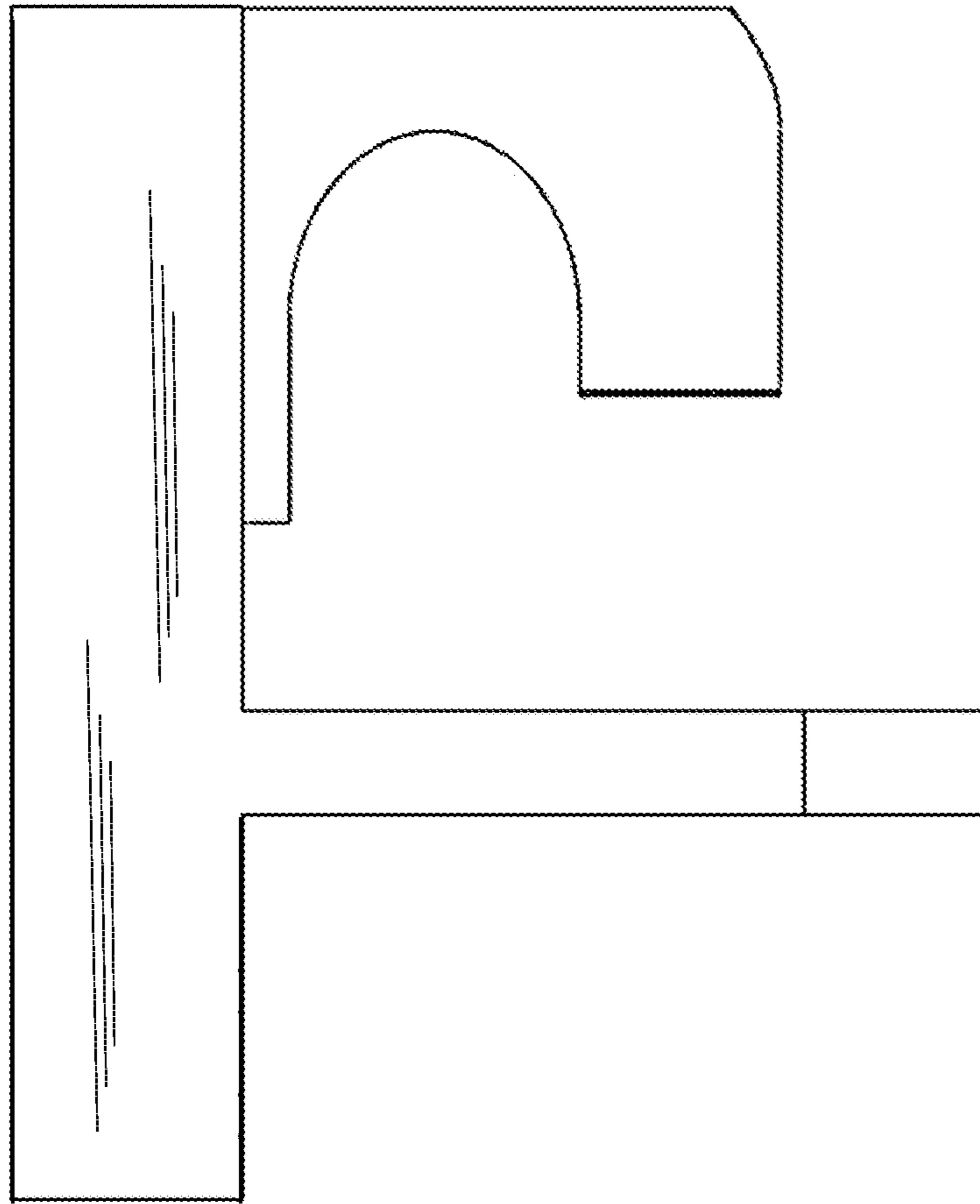


FIG. 4

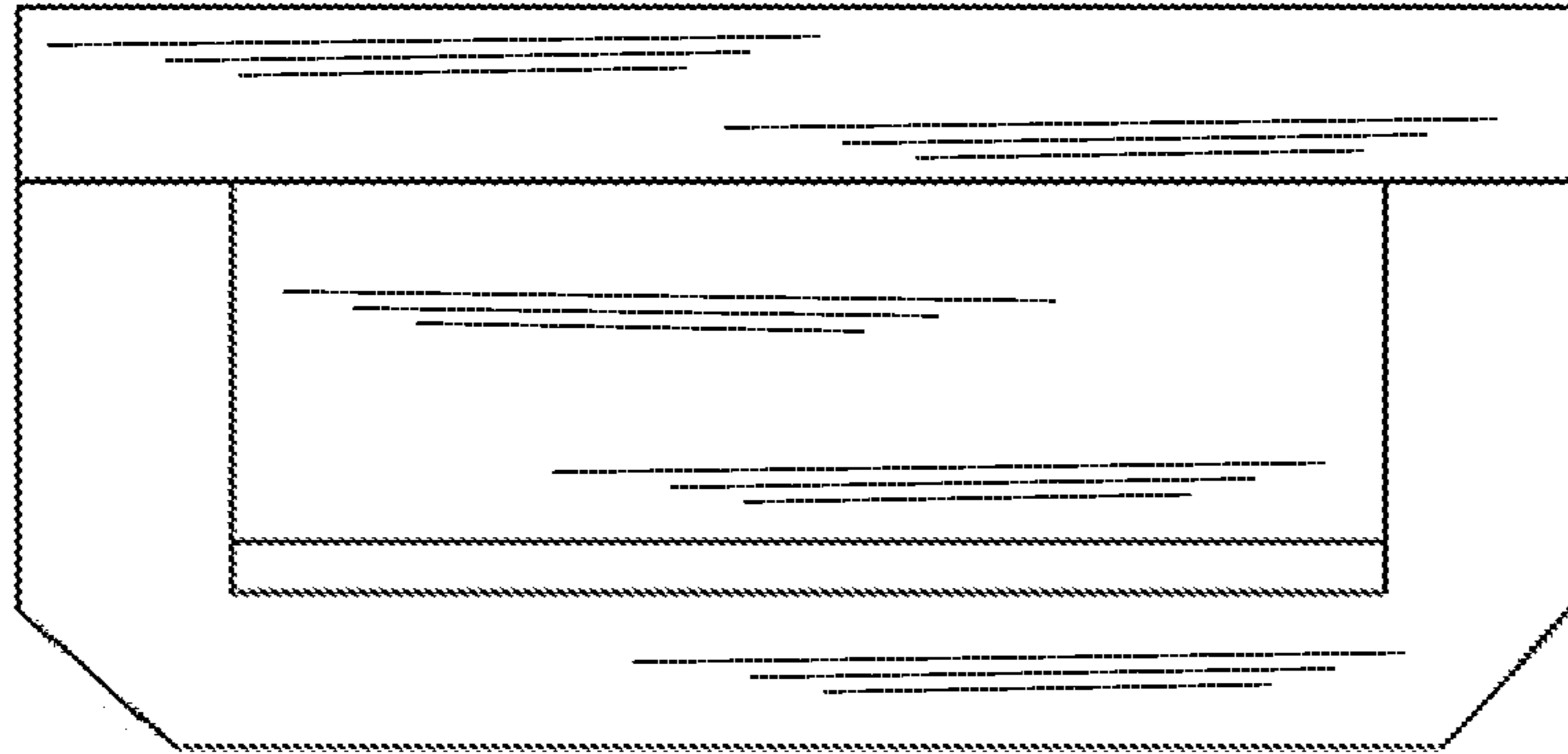


FIG. 5

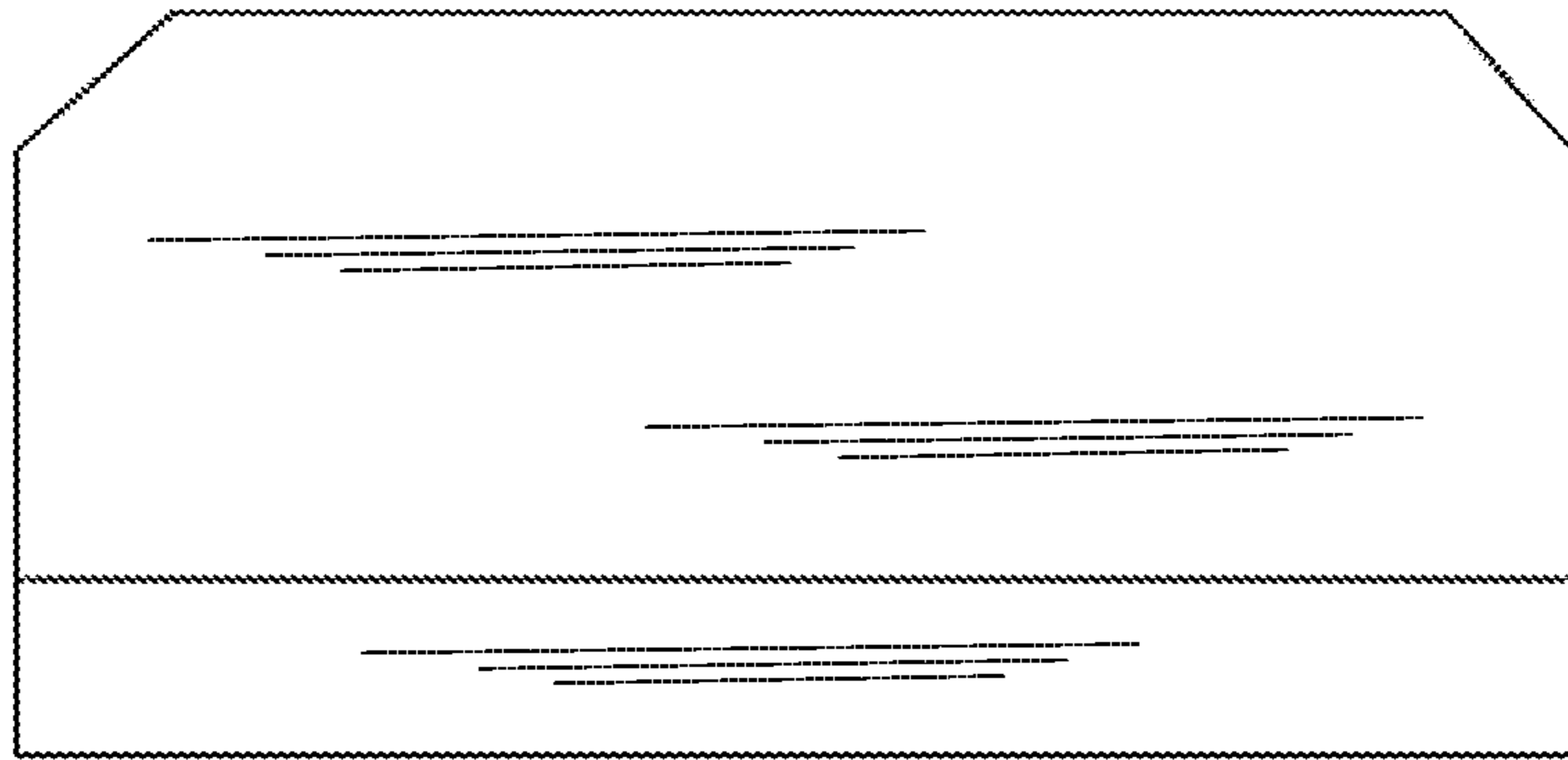


FIG. 6