



US00D985356S

(12) **United States Design Patent** (10) **Patent No.:** **US D985,356 S**
Li (45) **Date of Patent:** **** May 9, 2023**

(54) **CAR DOOR HANDLE**
(71) Applicant: **Guangzhou Maike Auto Accessories Co., Ltd.**, Guangdong (CN)
(72) Inventor: **Yuankun Li**, Guangdong (CN)
(73) Assignee: **Guangzhou Maike Auto Accessories Co., Ltd.**, Guangdong (CN)
(**) Term: **15 Years**
(21) Appl. No.: **29/805,691**
(22) Filed: **Aug. 30, 2021**
(51) **LOC (14) Cl.** **08-06**
(52) **U.S. Cl.**
USPC **D8/302**
(58) **Field of Classification Search**
USPC D8/300-302, 307-309, 315-320;
D23/250, 252; D12/195
CPC Y10T 16/44; Y10T 74/20612; Y10T
74/20732; Y10T 16/458; Y10T 16/498;
Y10T 16/469; Y10T 16/476; Y10T
74/20744; Y10T 74/20864; Y10T
16/4628; Y10T 74/20642; Y10T 16/473;
Y10T 74/20762; Y10T 74/2042; Y10T
74/20828; Y10T 16/459; Y10T 16/4713;
Y10T 74/2014; Y10T 16/50; Y10T
74/20438; Y10T 74/20582; Y10T
74/20738; Y10T 16/48; Y10T 74/20618;
Y10T 74/20684; Y10T 74/20624; Y10T
74/20468; Y10T 16/61; Y10T 16/4719;
Y10T 16/86; Y10S 16/30; Y10S 292/31;
Y10S 292/53; Y10S 16/12; Y10S 292/23;
Y10S 292/27; Y10S 292/30; Y10S
292/63; E05B 85/16; E05B 1/0015; E05B
77/06; E05B 79/06; E05B 85/18; E05B
85/12; E05B 85/10; E05B 7/00; E05B
1/0053; E05B 77/265
See application file for complete search history.

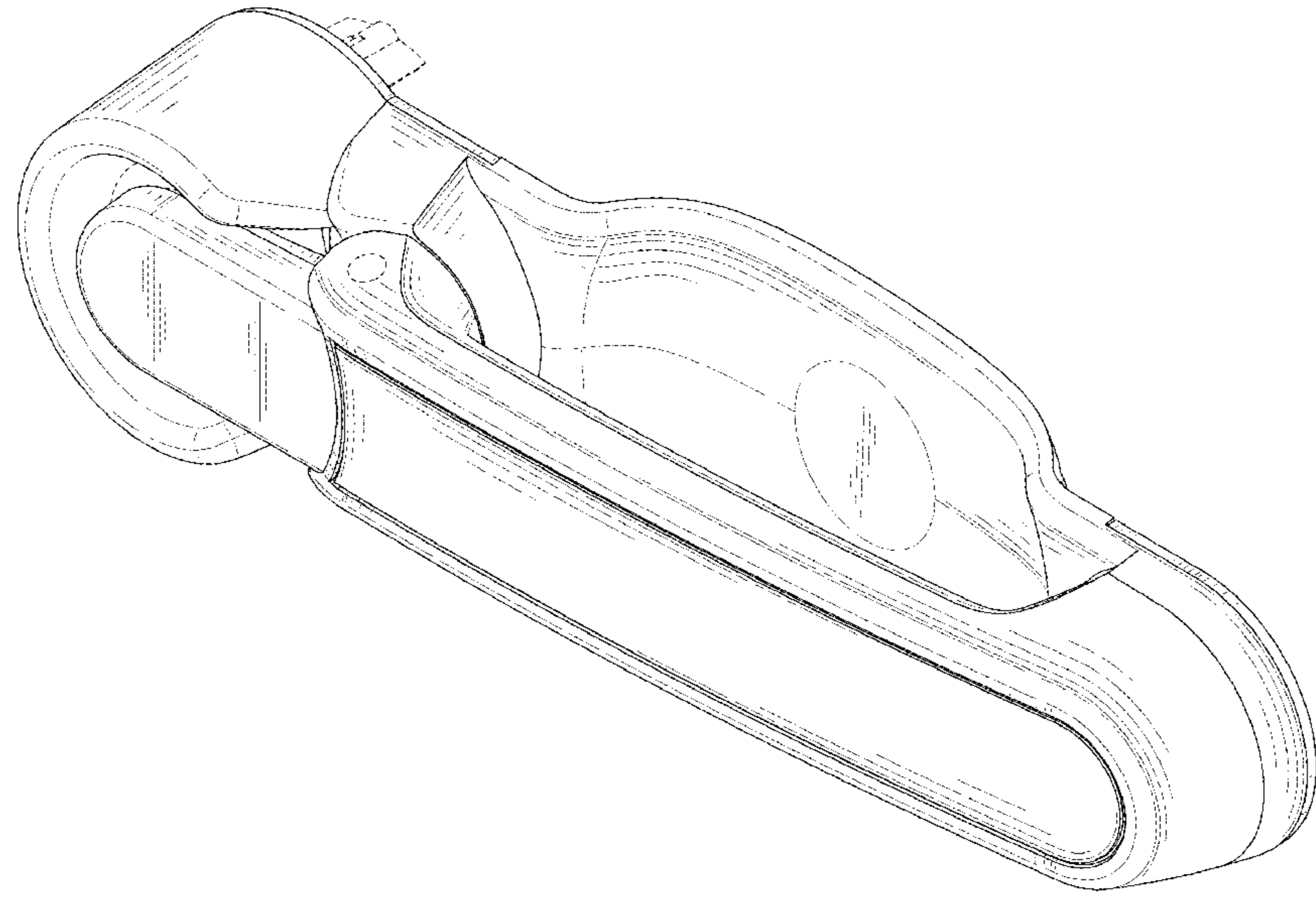
(56) **References Cited**
U.S. PATENT DOCUMENTS
4,883,296 A * 11/1989 Laurie E05B 9/082
292/DIG. 64
D501,783 S * 2/2005 Marzolf D8/302
D629,275 S * 12/2010 Schmidt D8/300
8,720,237 B2 * 5/2014 Williams E05C 3/24
292/216
D708,924 S * 7/2014 Kraus D8/302
D772,682 S * 11/2016 Stibs D8/302
2006/0232378 A1 * 10/2006 Ogino G07C 9/00309
340/5.72
2007/0216174 A1 * 9/2007 Tanimoto E05B 81/78
292/336.3

* cited by examiner
Primary Examiner — Lauren R Calve
(74) *Attorney, Agent, or Firm* — True Shepherd, LLC;
Andrew Cheng

(57) **CLAIM**
The ornamental design for a car door handle, as shown and described.

DESCRIPTION
FIG. 1 is a front, left and top perspective view of a car door handle, showing my design.
FIG. 2 is a rear, right and bottom perspective view thereof.
FIG. 3 is a front elevation view thereof.
FIG. 4 is a rear elevation view thereof.
FIG. 5 is a top plan view thereof.
FIG. 6 is a bottom plan view thereof.
FIG. 7 is a left side elevation view thereof; and,
FIG. 8 is a right side elevation view thereof.
The broken lines shown in the drawings are included for the purpose of illustrating portions of the car door handle that form no part of the claimed design.

1 Claim, 8 Drawing Sheets



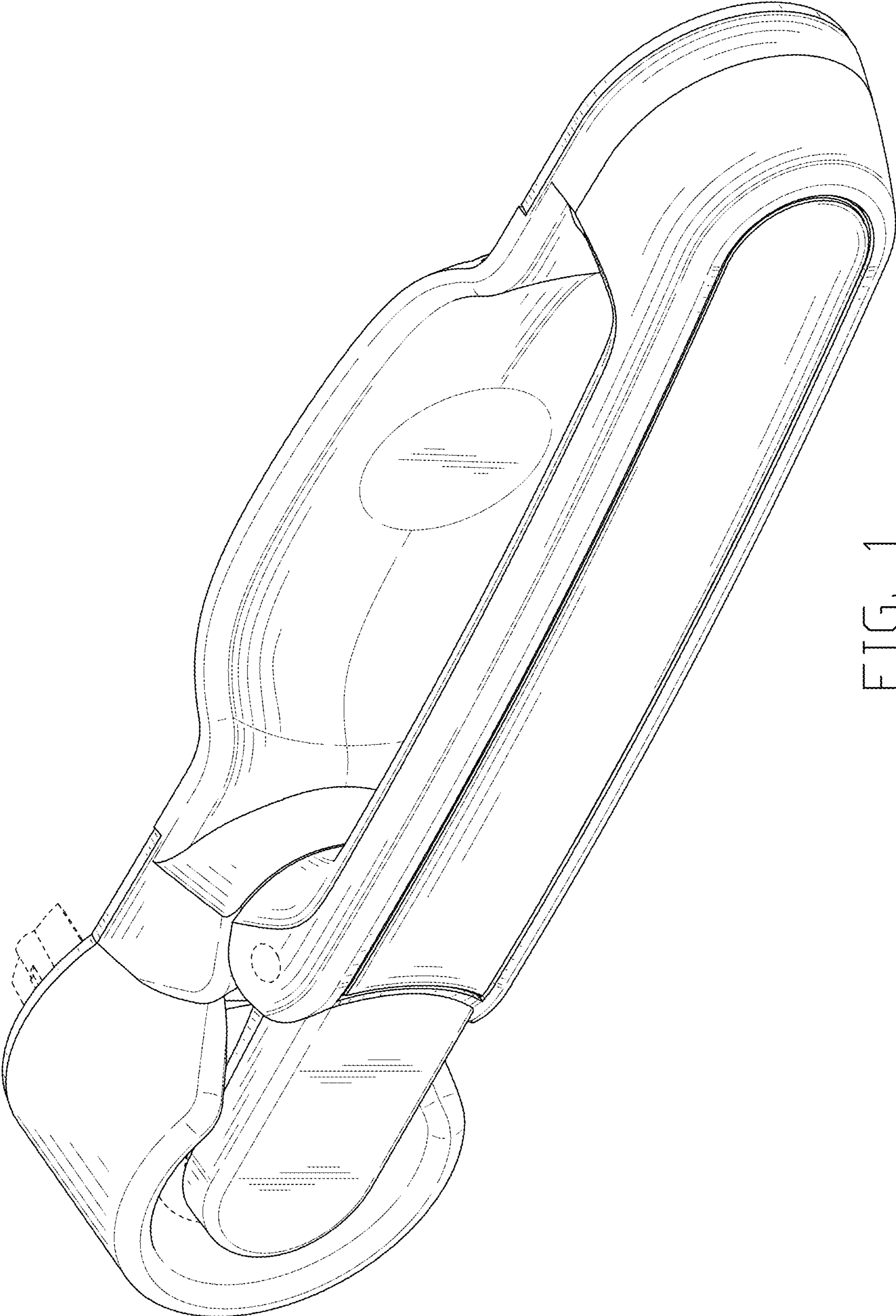


FIG. 1

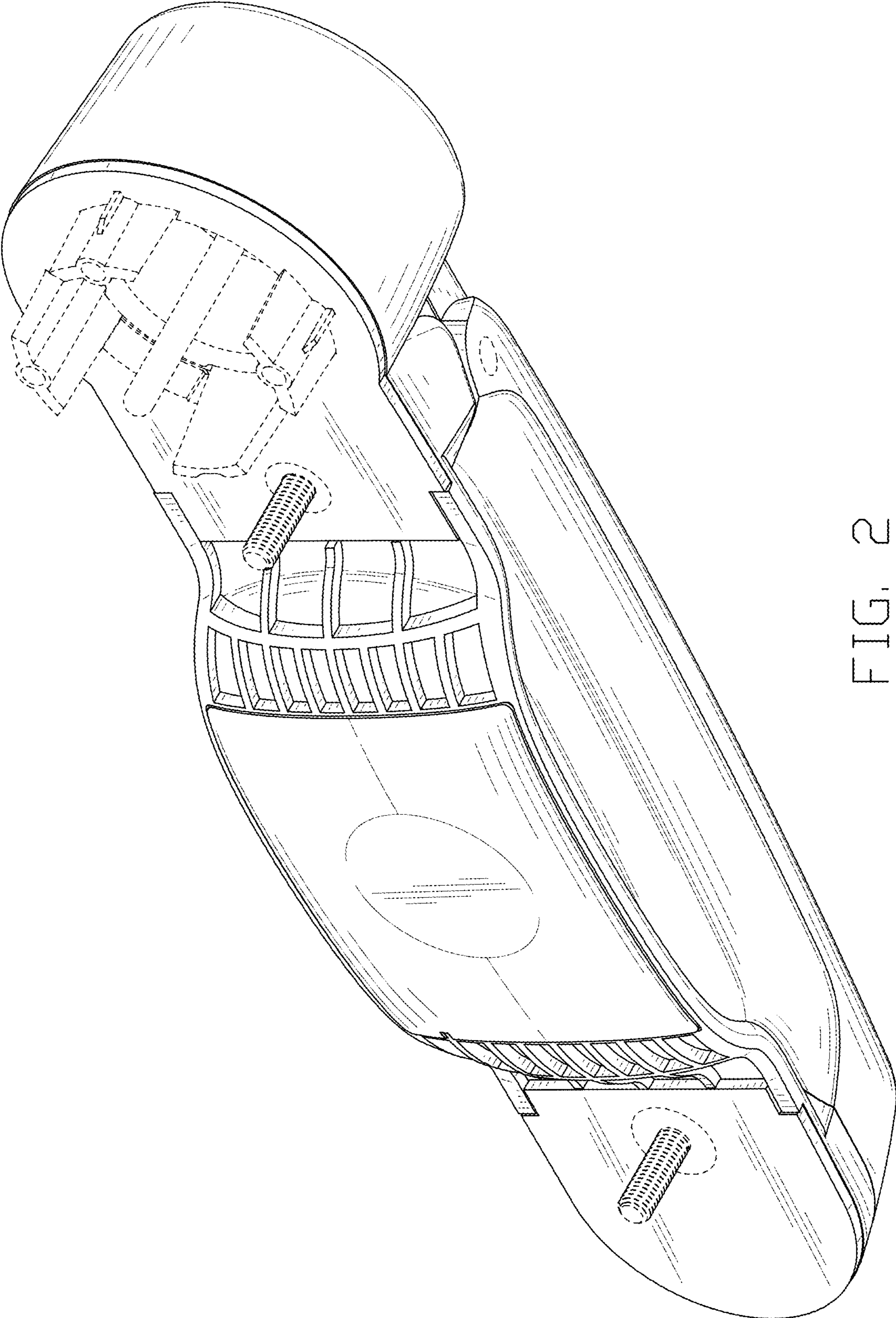


FIG. 2

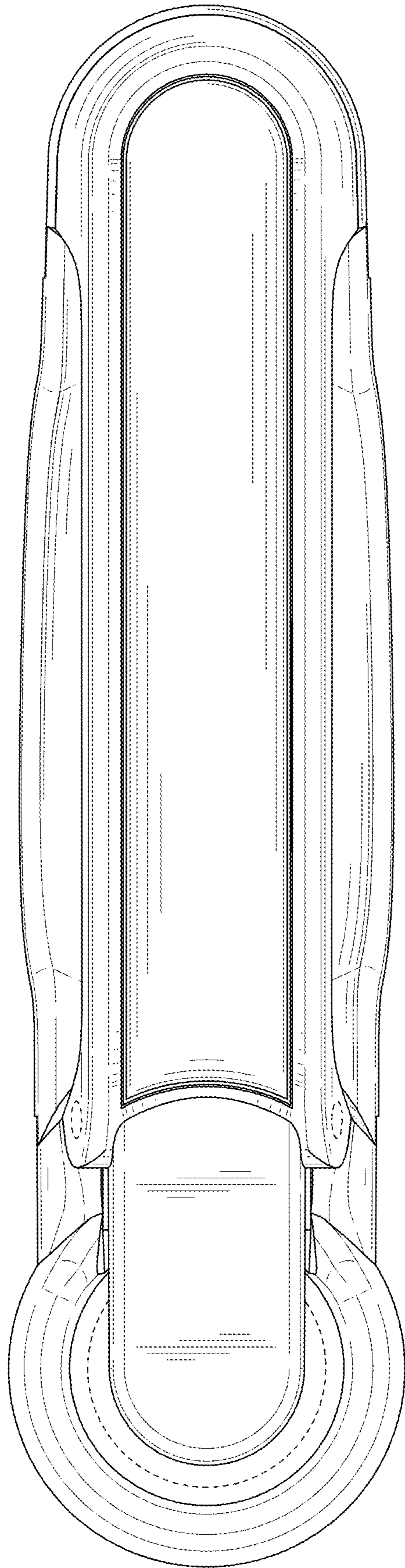


FIG. 3

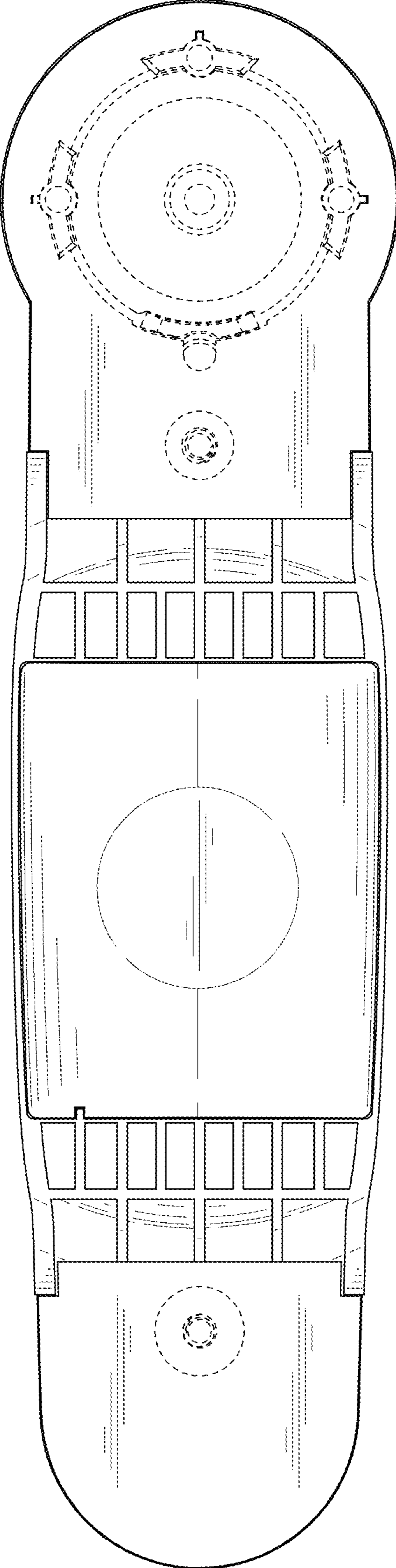


FIG. 4

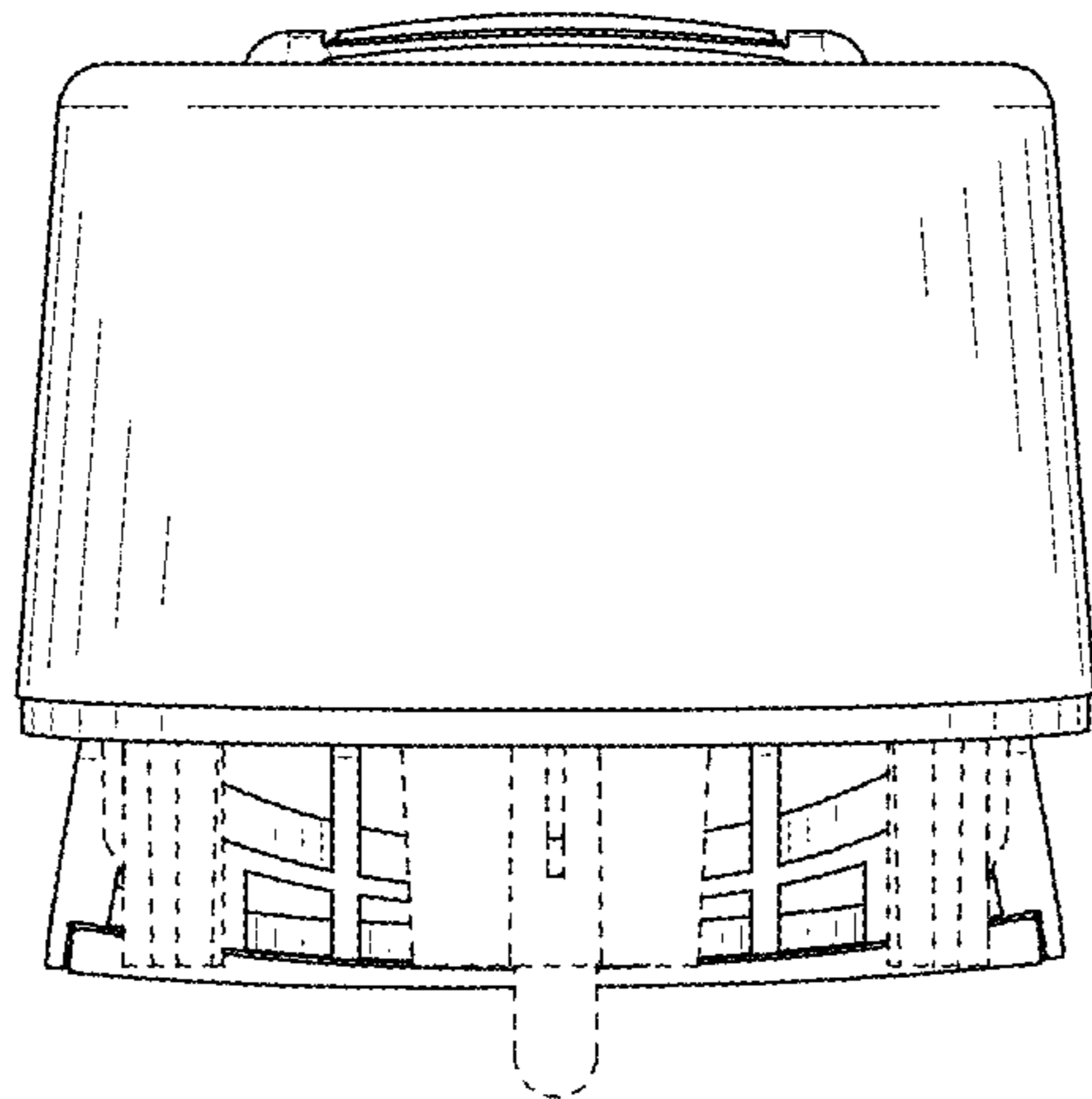


FIG. 5

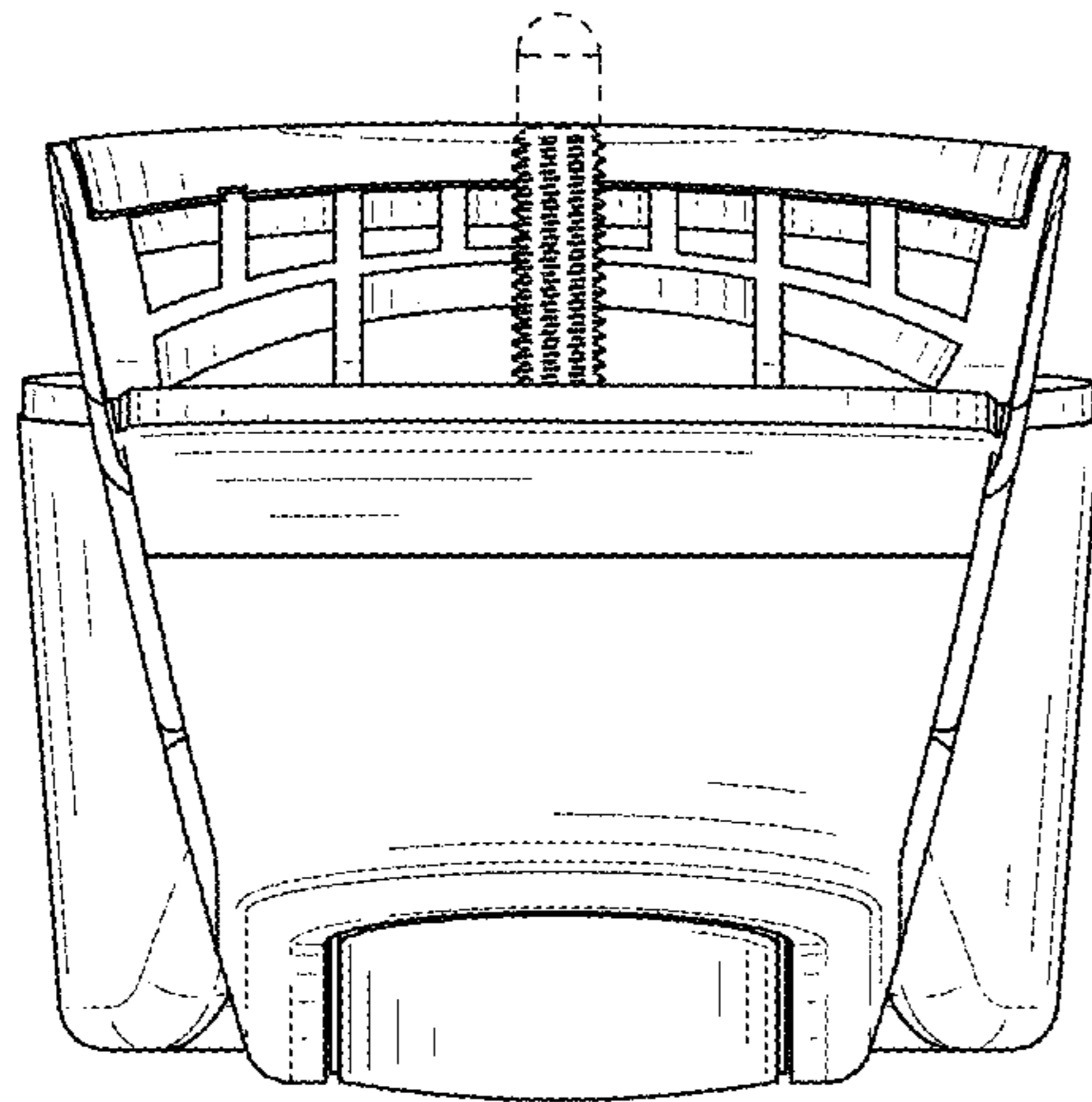


FIG. 6

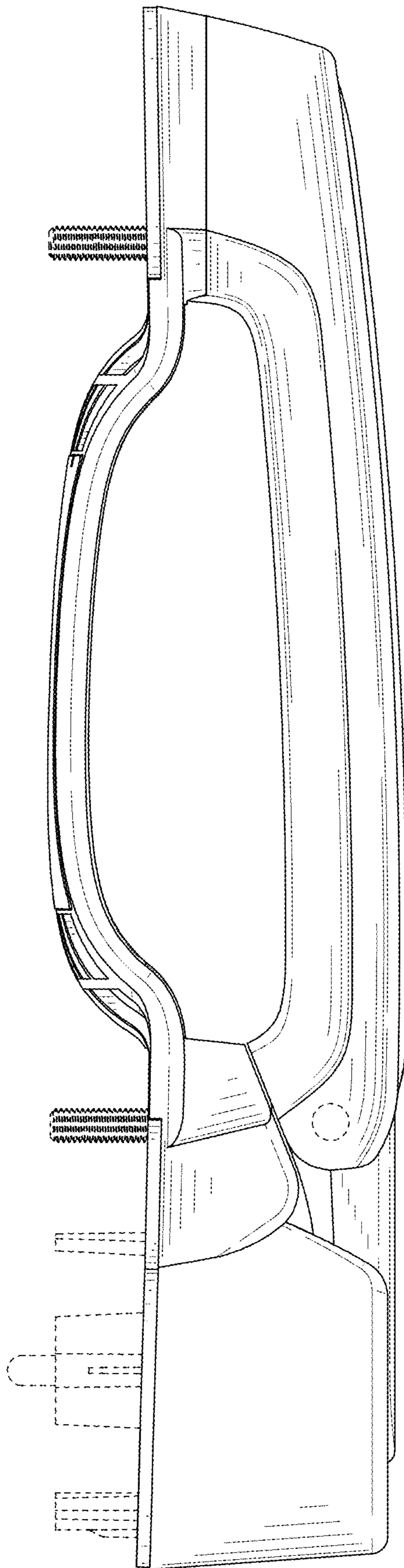


FIG. 7

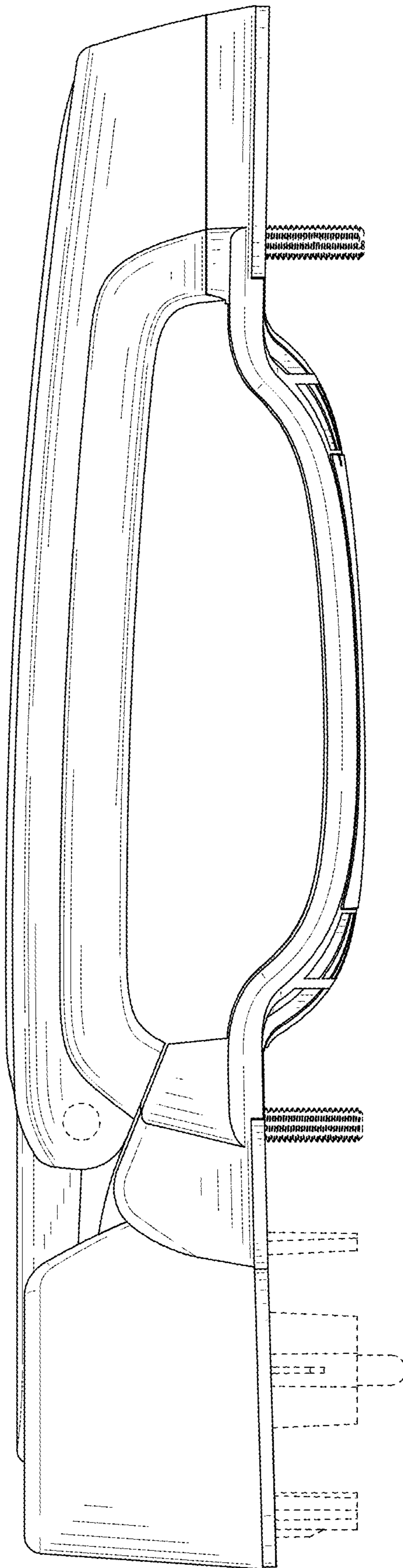


FIG. 8