



US00D985355S

(12) **United States Design Patent** (10) **Patent No.:** **US D985,355 S**
Bunch et al. (45) **Date of Patent:** **** May 9, 2023**

(54) **GROUT FLOAT AND GROUT FLOAT HANDLE**

Primary Examiner — Philip S Hyder
(74) *Attorney, Agent, or Firm* — Scott Griggs; Griggs Bergen LLP

(71) Applicant: **Acufloor, L.L.C.**, North Richland Hills, TX (US)

(57) **CLAIM**

(72) Inventors: **Clinton D. Bunch**, Keller, TX (US);
Joshua A. Bunch, Keller, TX (US)

The ornamental design for a grout float and grout float handle, as shown and described.

(73) Assignee: **Acufloor, LLC**, North Richland Hills, TX (US)

DESCRIPTION

(**) Term: **15 Years**

This application discloses subject matter related to the subject matter disclosed in the following commonly owned, co-pending patent applications: (1) “Grout Float and Handle for Use with Same,” filed on Sep. 28, 2021 and assigned application Ser. No. 63/261,752, in the names of Clinton D. Bunch et al.; and (2) “Grout Float and Handle for Use with Same,” filed on Sep. 28, 2022 and assigned application Ser. No. 17/936,251, in the names of Clinton D. Bunch et al.; both of which are hereby incorporated by reference, in entirety, for all purposes.

(21) Appl. No.: **29/866,814**

(22) Filed: **Sep. 28, 2022**

(51) **LOC (14) Cl.** **08-05**

(52) **U.S. Cl.**
USPC **D8/45**

(58) **Field of Classification Search**
USPC D8/45, 90; D32/40, 46
CPC ... E04F 21/161; E04F 21/1652; E04F 21/165;
E04F 21/1655; E04F 21/1657
See application file for complete search history.

FIG. 1 is a top left perspective view of a grout float and grout float handle;
FIG. 2 is a top right perspective view of a grout float and grout float handle shown in FIG. 1;
FIG. 3 is a bottom perspective view of the grout float and grout float handle shown in FIG. 1;
FIG. 4 is a top plan view of the grout float and grout float handle shown in FIG. 1;
FIG. 5 is a bottom plan view of the grout float and grout float handle shown in FIG. 1;
FIG. 6 is a left side elevation view of the grout float and grout float handle shown in FIG. 1;
FIG. 7 is a right side elevation view of the grout float and grout float handle shown in FIG. 1;
FIG. 8 is a rear elevation view of the grout float and grout float handle shown in FIG. 1; and,
FIG. 9 is a front elevation view of the grout float and grout float handle shown in FIG. 1.

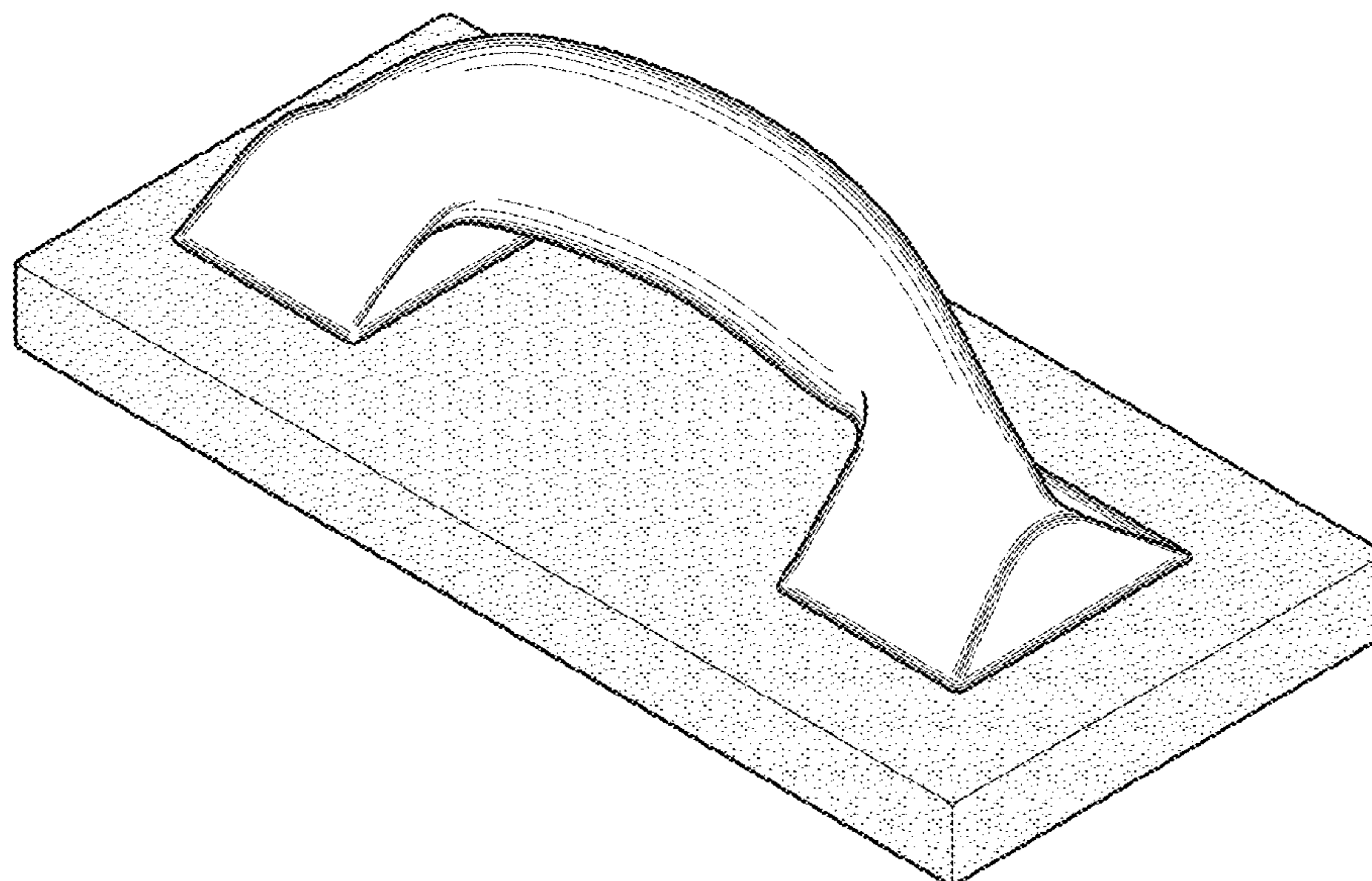
(56) **References Cited**

U.S. PATENT DOCUMENTS

D216,668	S *	3/1970	Tims, Jr.	D8/45
D310,012	S *	8/1990	Henke	D8/90
5,781,956	A	7/1998	Kelsay et al.	
D426,134	S	6/2000	Pytlewski	
6,505,408	B1 *	1/2003	Talamantez	G01C 9/26 15/235.4
D474,389	S *	5/2003	Panfil	D8/90
6,568,021	B1 *	5/2003	Wood	B25F 1/00 15/235.4
6,604,256	B1 *	8/2003	Pytlewski	E04F 21/161 15/245.1
6,640,378	B2 *	11/2003	Hsu	E04F 21/06 16/DIG. 18

(Continued)

1 Claim, 3 Drawing Sheets



(56)

References Cited

U.S. PATENT DOCUMENTS

6,719,620 B1 * 4/2004 Panfli B24D 15/023
451/515
D525,508 S * 7/2006 Leonard, II D8/90
D665,638 S * 8/2012 Krohmer D8/14
D929,832 S * 9/2021 DiLuzio D8/45
2004/0231100 A1 11/2004 Schultz et al.
2013/0133283 A1 5/2013 Floyd et al.
2018/0148938 A1 * 5/2018 Chang E04F 21/163

* cited by examiner

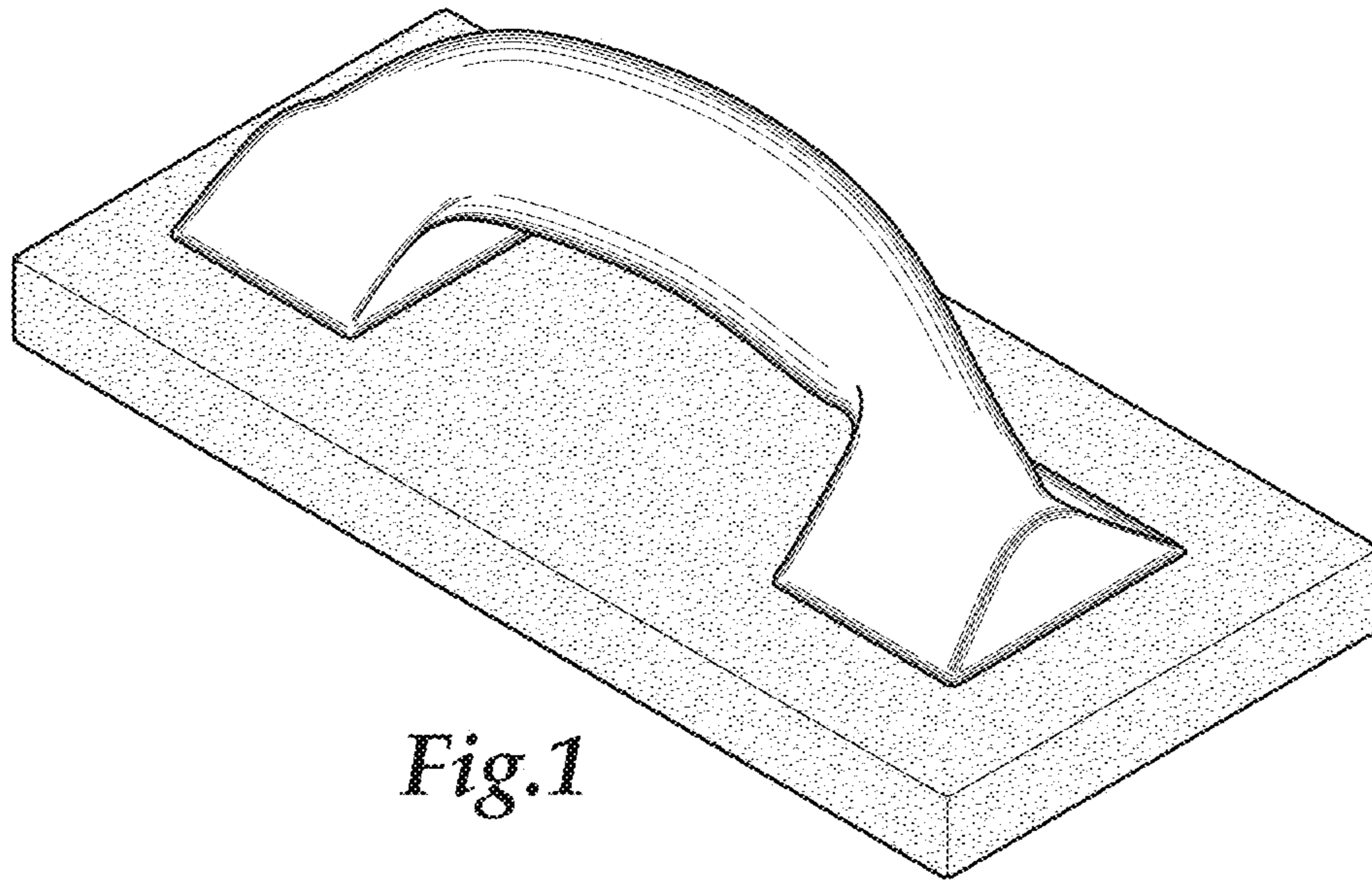


Fig.1

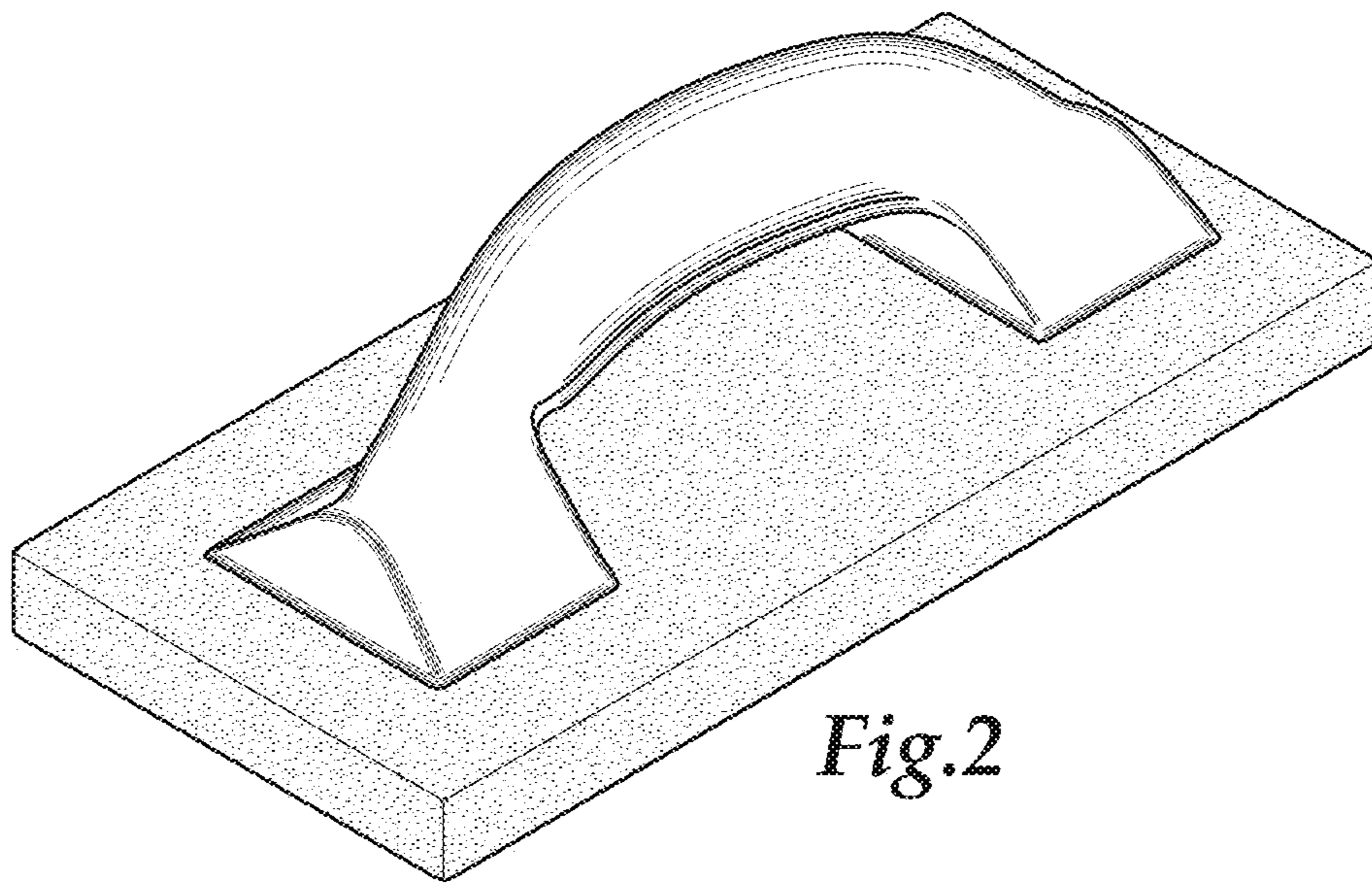


Fig.2

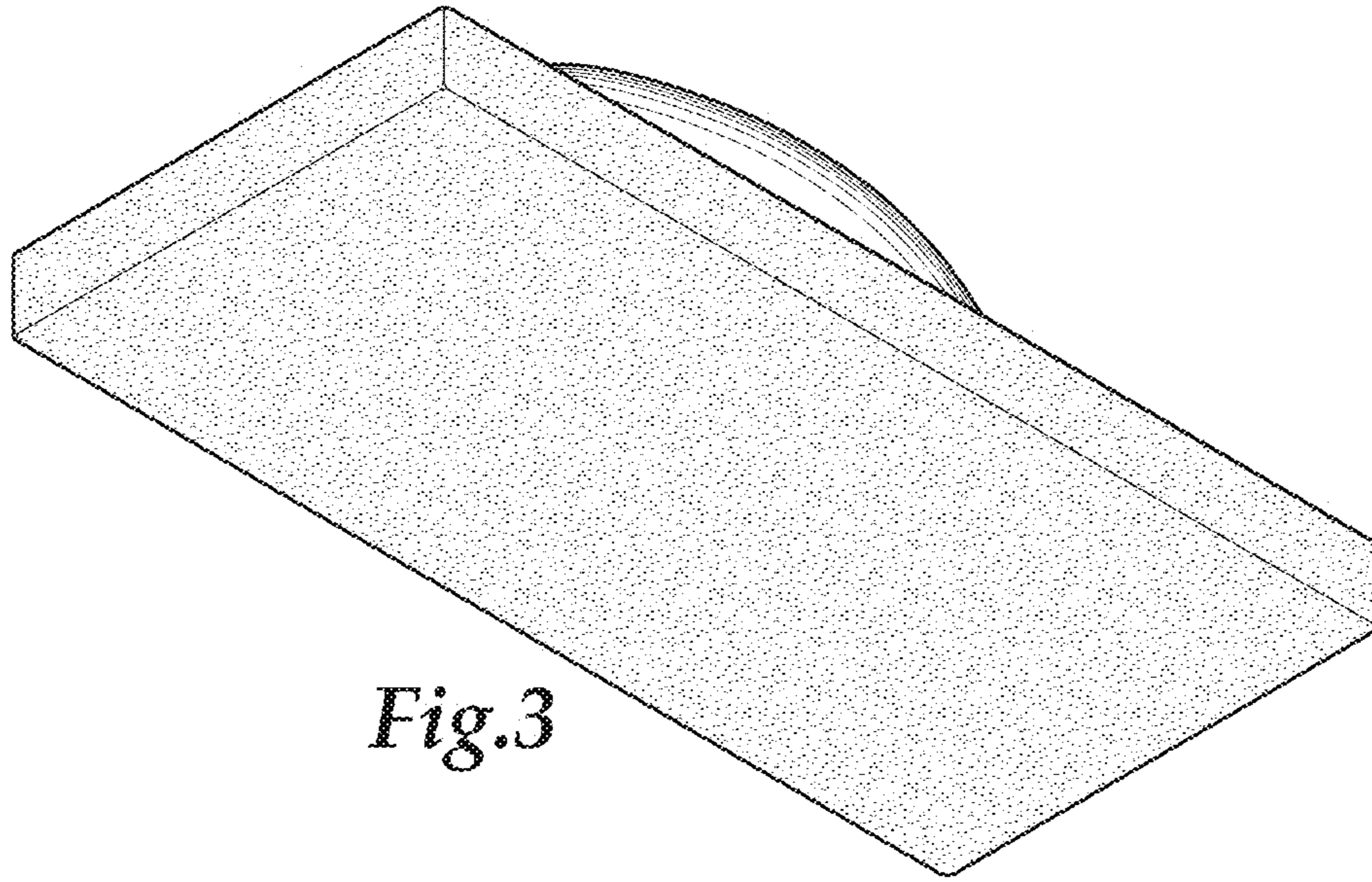


Fig.3

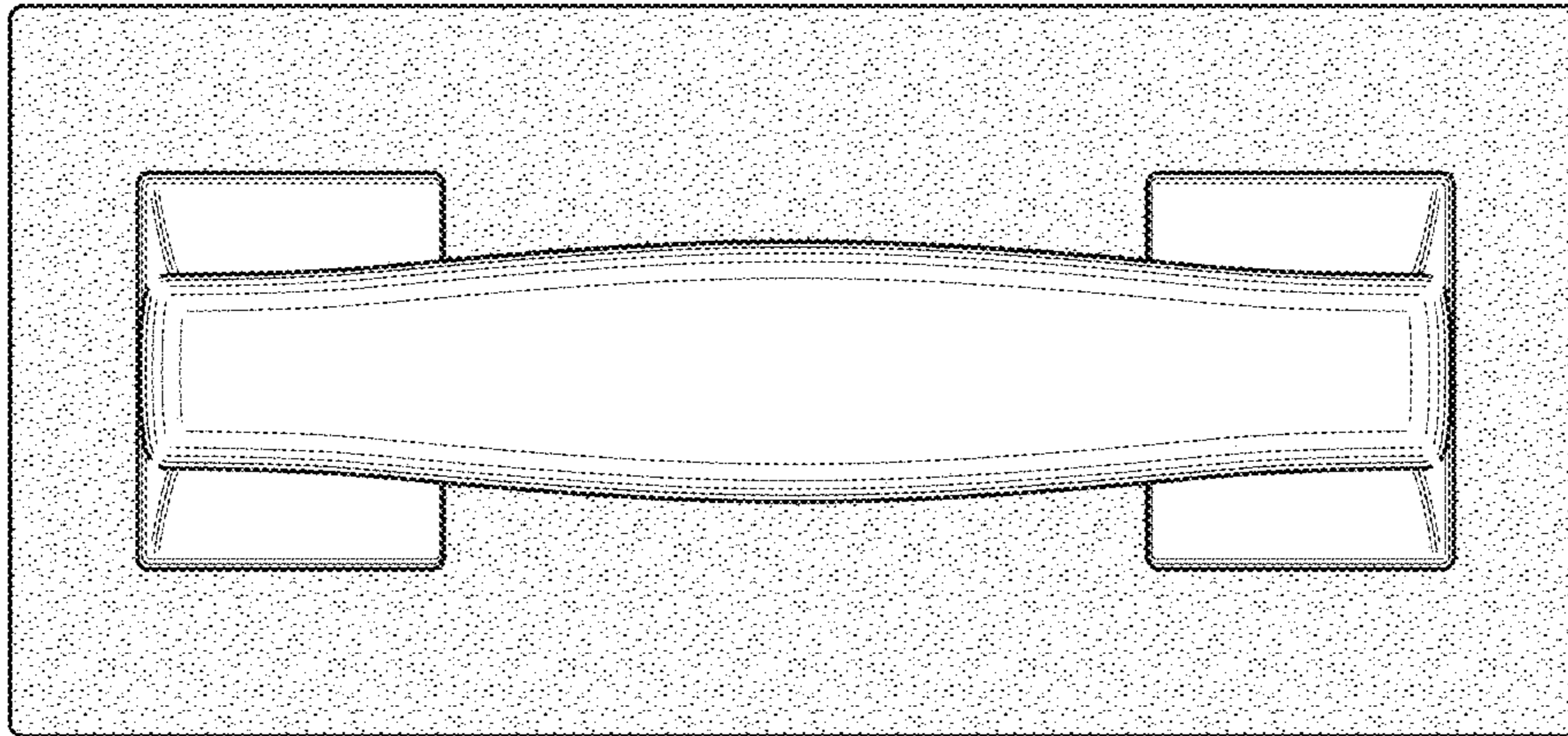


Fig.4

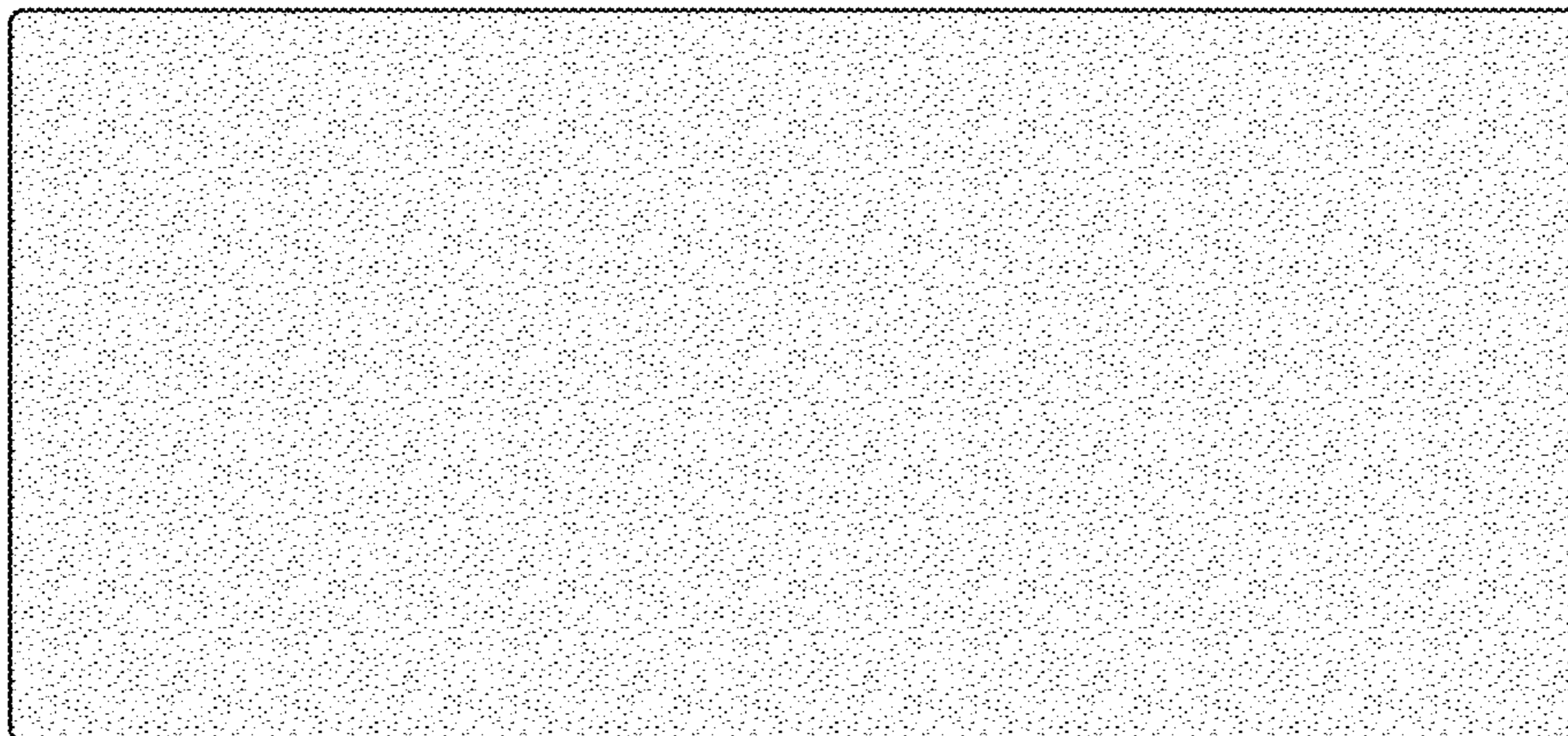


Fig.5

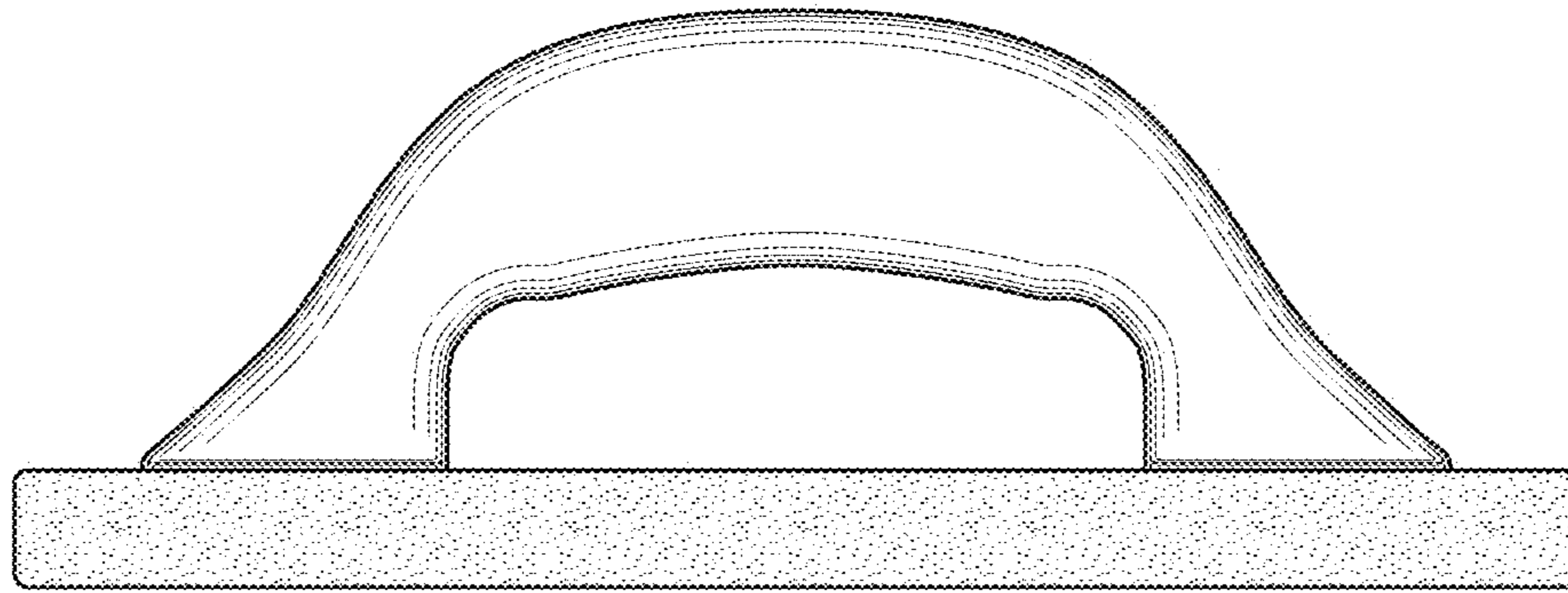


Fig.6

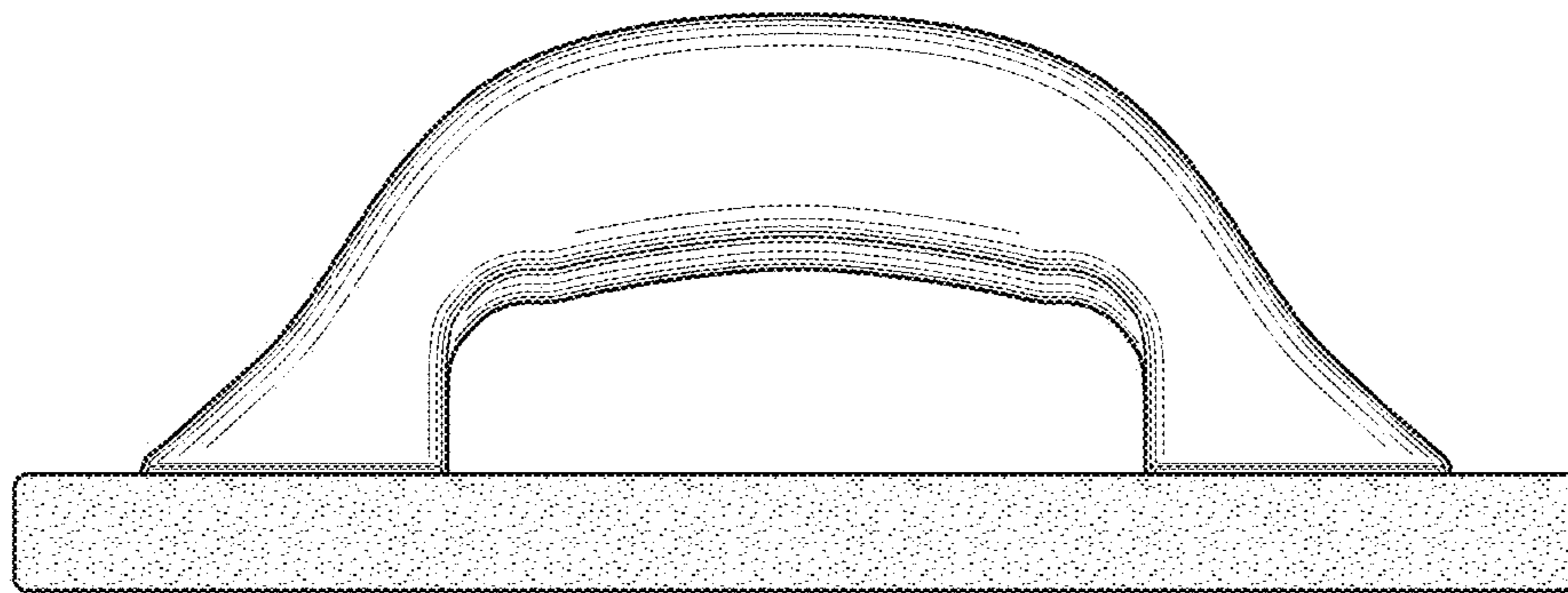


Fig.7

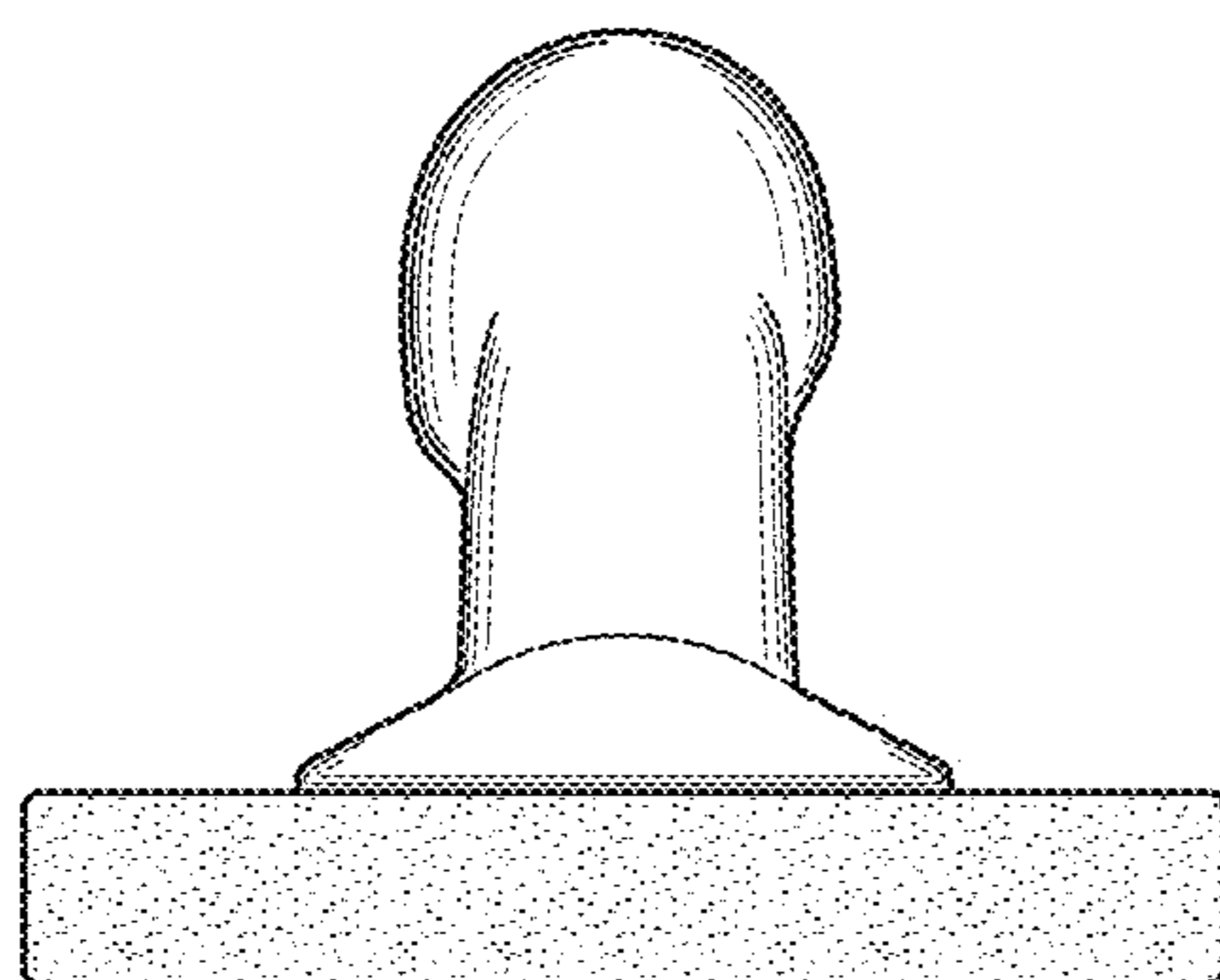


Fig.8

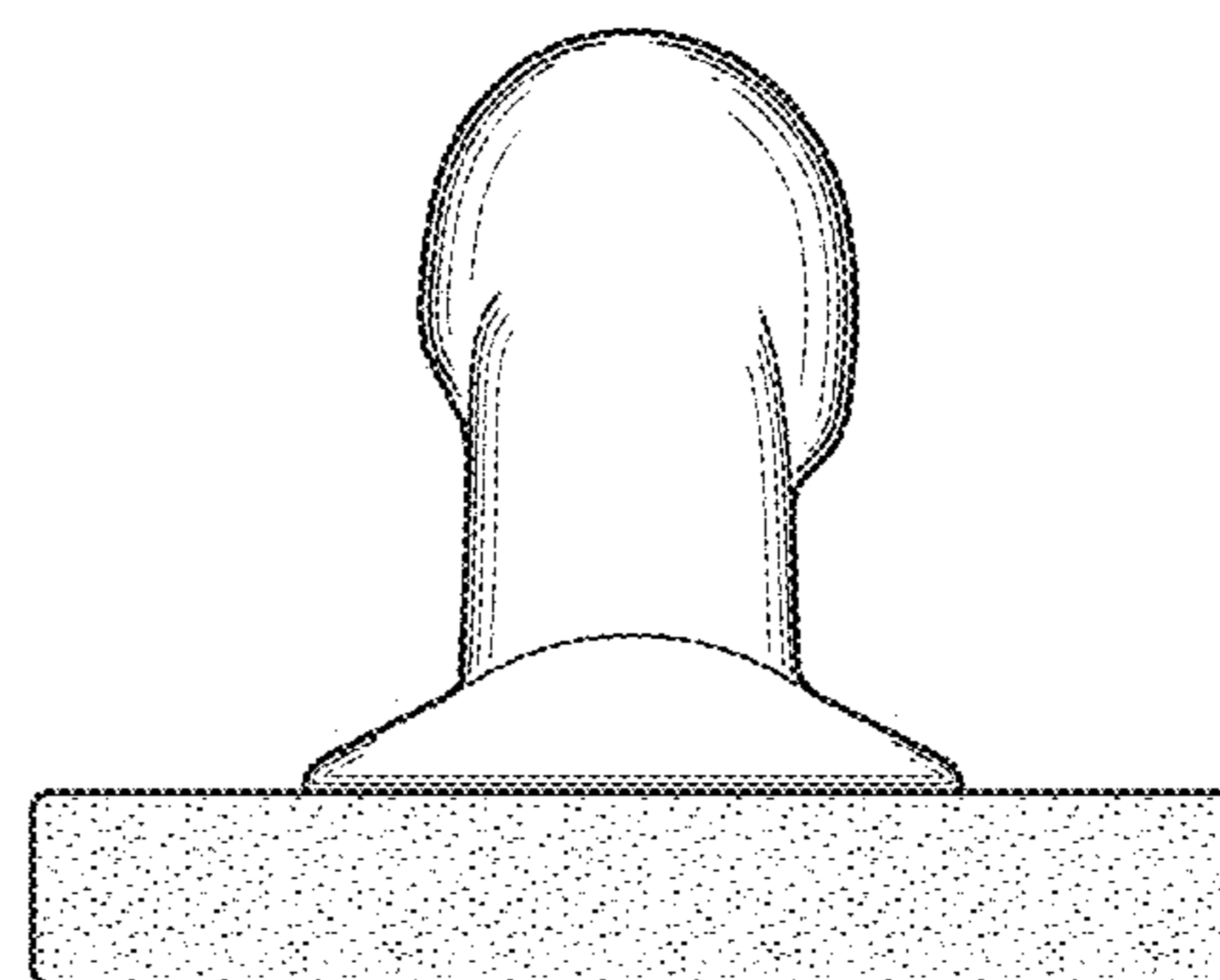


Fig.9