



US00D985350S

(12) **United States Design Patent**  
**Baker et al.**

(10) **Patent No.:** **US D985,350 S**  
(45) **Date of Patent:** **\*\* May 9, 2023**

(54) **CLAMP FOR A SHARPENING DEVICE USED TO SHARPEN A CUTTING TOOL**

(71) Applicant: **Darex LLC**, Ashland, OR (US)

(72) Inventors: **Steven L. Baker**, Medford, OR (US);  
**Daniel T. Dovel**, Shady Cove, OR (US)

(73) Assignee: **DAREX LLC**, Ashland, OR (US)

(\*\*) Term: **15 Years**

(21) Appl. No.: **29/788,172**

(22) Filed: **Apr. 2, 2021**

(51) **LOC (14) Cl.** ..... **08-05**

(52) **U.S. Cl.**  
USPC ..... **D8/91**; D9/93

(58) **Field of Classification Search**  
USPC ..... D8/90, 91, 92, 93  
CPC ..... B24D 15/06; B24D 15/00; B24D 15/063;  
B24D 15/066; B24D 15/08; B24B  
41/066; B24B 3/54; B24B 3/36; B24B  
3/58; B24B 3/00; B24B 23/08; B24B  
15/00; B24B 15/06; B24B 15/08  
See application file for complete search history.

(56) **References Cited**

**U.S. PATENT DOCUMENTS**

- 4,216,627 A \* 8/1980 Westrom ..... B24D 15/063  
451/175
- 4,320,892 A \* 3/1982 Longbrake ..... B24B 3/54  
36/31
- 4,441,279 A \* 4/1984 Storm ..... B24D 15/06  
76/82.2
- 4,486,982 A \* 12/1984 Longbrake ..... B24D 15/06  
76/82
- 4,512,112 A \* 4/1985 LeVine ..... B25B 3/00  
269/3

- 4,538,382 A \* 9/1985 Johannsen ..... B24D 15/06  
76/82.2
- D287,815 S \* 1/1987 Johannsen ..... D8/93
- 4,714,239 A \* 12/1987 LeVine ..... B24D 15/08  
269/97
- 4,731,953 A \* 3/1988 Owen ..... B24D 15/08  
76/82.2
- 5,138,801 A \* 8/1992 Anthon ..... B24D 15/06  
451/367
- 5,185,958 A \* 2/1993 Dale ..... B24D 15/06  
451/558
- 5,195,275 A \* 3/1993 McLean ..... B24B 3/36  
76/82.2
- D335,621 S \* 5/1993 Moody ..... B24B 3/36  
D8/93
- 5,363,602 A \* 11/1994 Anthon ..... B24D 15/06  
451/367
- 5,431,068 A \* 7/1995 Alsch ..... B24B 41/066  
76/82
- 6,579,163 B1 \* 6/2003 Ross ..... B24B 3/36  
451/540
- 7,052,385 B1 \* 5/2006 Swartz ..... B24B 41/06  
451/367
- 7,144,310 B2 \* 12/2006 Longbrake ..... B24D 15/08  
451/367

(Continued)

*Primary Examiner* — Philip S Hyder  
(74) *Attorney, Agent, or Firm* — Workman Nydegger

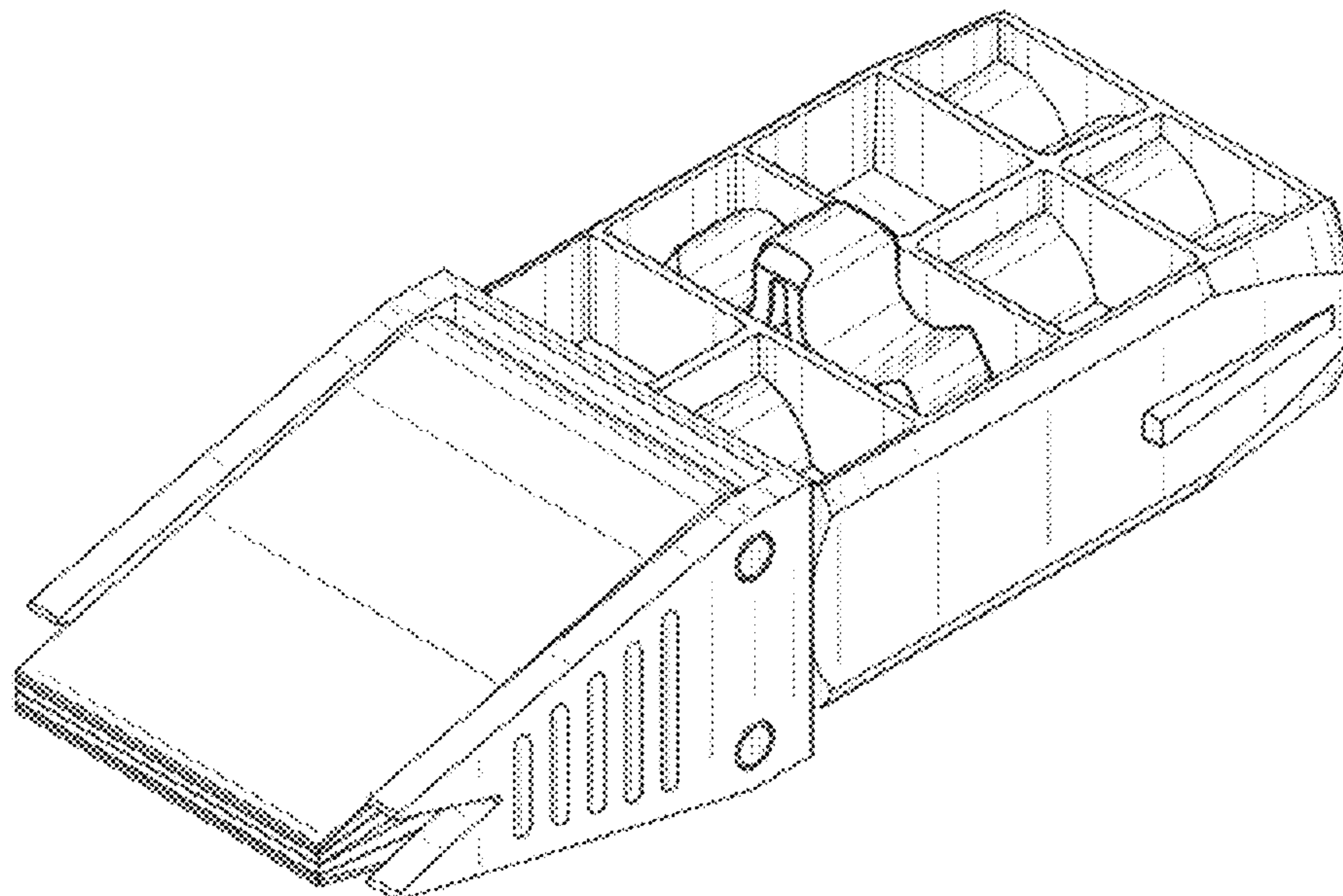
(57) **CLAIM**

The ornamental design for a clamp for a sharpening device used to sharpen a cutting tool, as shown and described.

**DESCRIPTION**

FIG. 1 is a perspective view of the design.  
FIG. 2 is a front view of the design of FIG. 1.  
FIG. 3 is a top plan view of the design of FIG. 1.  
FIG. 4 is a bottom plan view of the design of FIG. 1.  
FIG. 5 is a right side view of the design of FIG. 1; and,  
FIG. 6 is a left side view of the design of FIG. 1.

**1 Claim, 4 Drawing Sheets**



(56)

**References Cited**

U.S. PATENT DOCUMENTS

7,874,896 B1 \* 1/2011 Watson ..... B24D 15/08  
451/380  
8,262,438 B1 \* 9/2012 Allison ..... B24D 15/08  
451/367  
8,292,701 B2 \* 10/2012 Heng ..... B24B 3/546  
451/371  
8,303,381 B2 \* 11/2012 Schwartz ..... B24D 15/105  
451/371  
8,323,077 B2 \* 12/2012 Nakoff ..... B24B 3/543  
451/367  
10,131,028 B1 \* 11/2018 Allison ..... B24B 3/543  
10,744,614 B1 \* 8/2020 Allison ..... B24B 41/066  
11,052,512 B1 \* 7/2021 Allison ..... B24B 3/543  
2005/0048885 A1 \* 3/2005 Longbrake ..... B24D 15/08  
451/367  
2011/0159791 A1 \* 6/2011 Heng ..... B24B 3/546  
451/349  
2011/0177764 A1 \* 7/2011 Schwartz ..... B24D 15/08  
451/371  
2022/0088748 A1 \* 3/2022 Baker ..... B25B 11/02

\* cited by examiner

FIG. 1

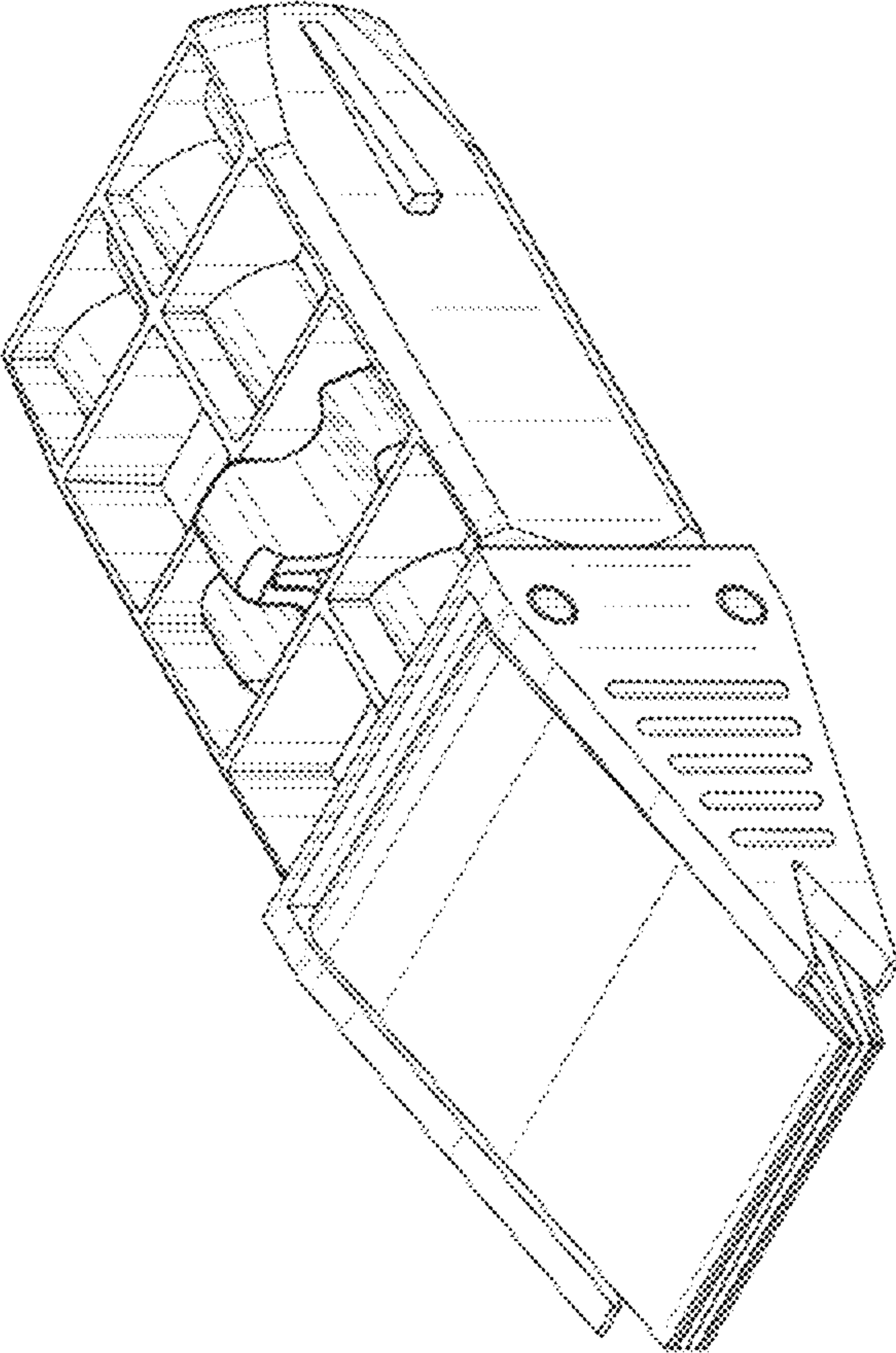


FIG. 2

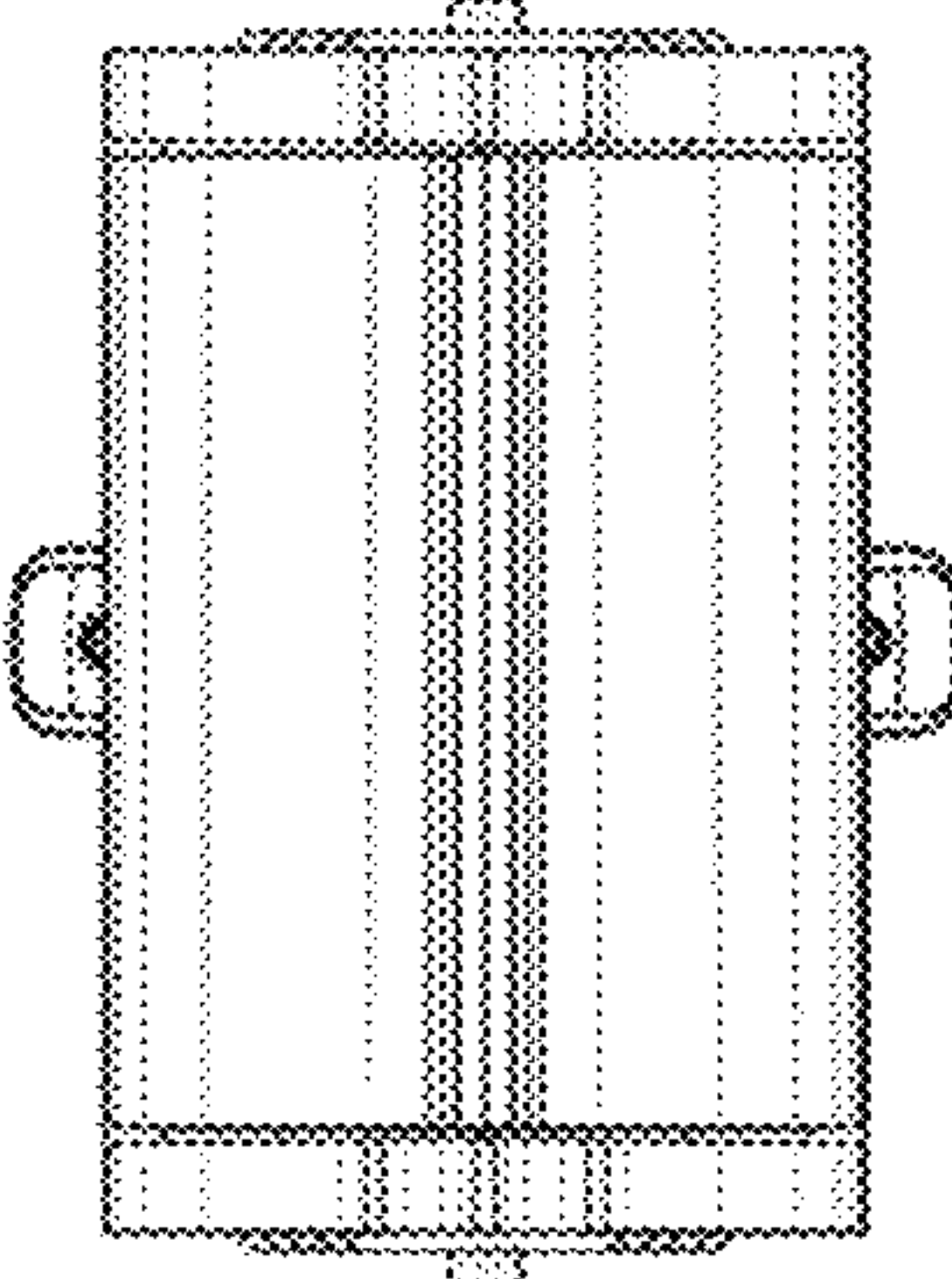




FIG. 4

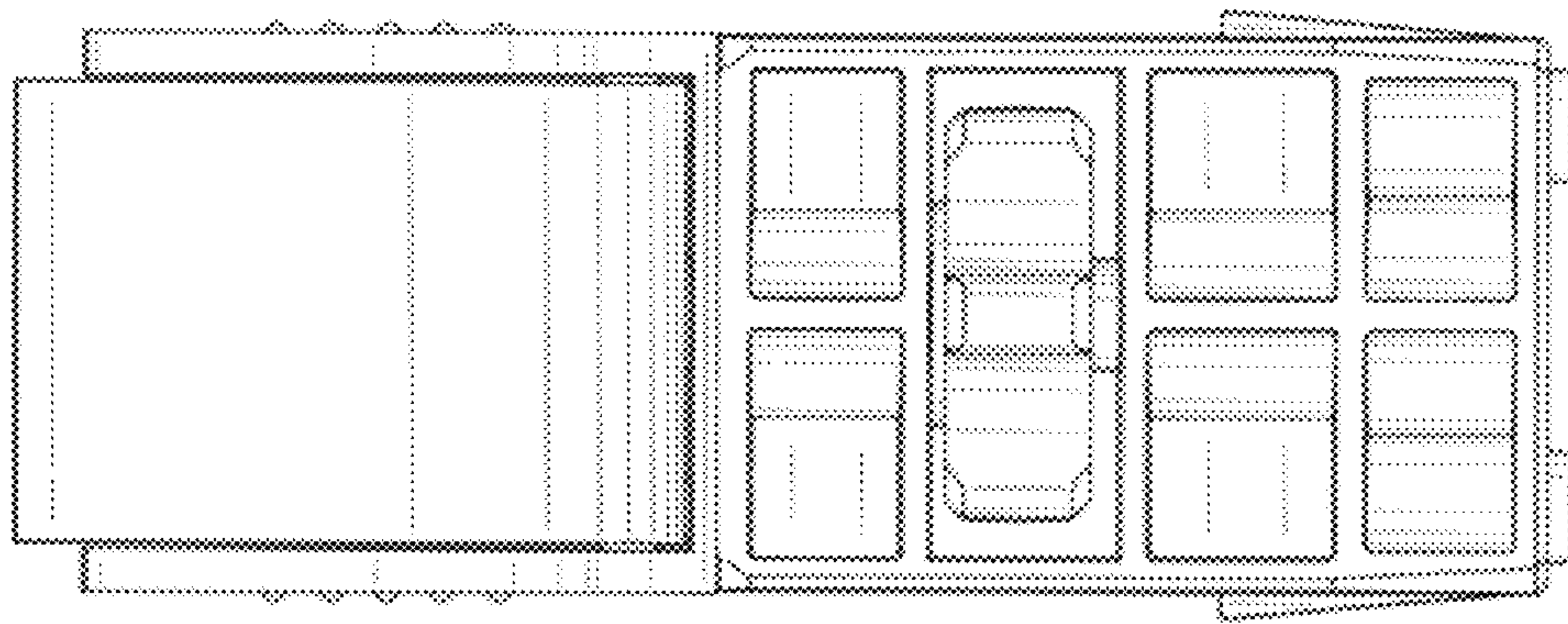


FIG. 3

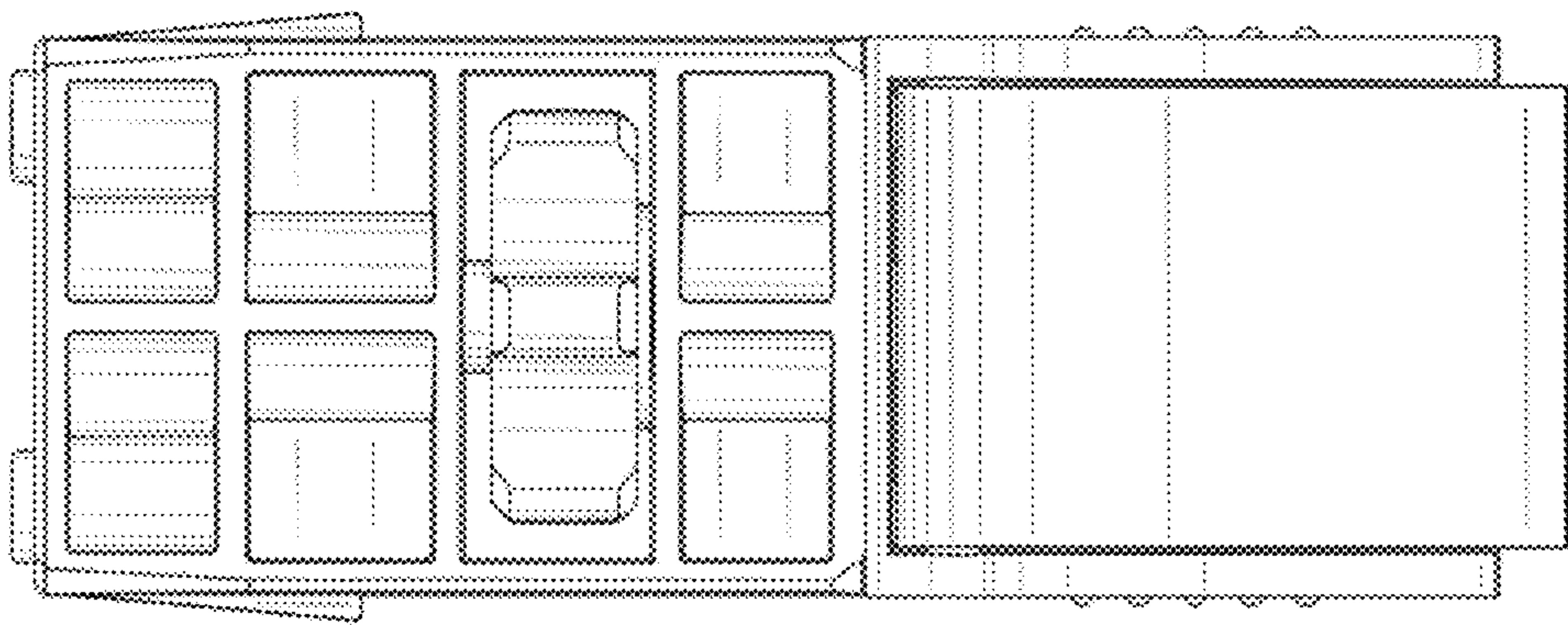


FIG. 5

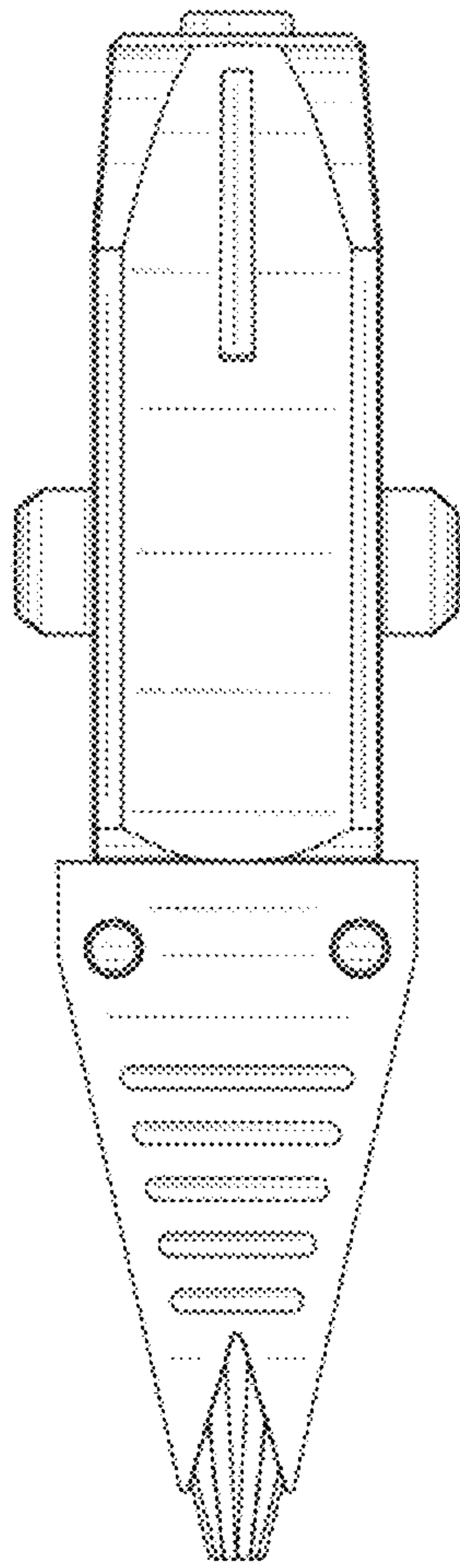


FIG. 6

