



US00D985349S

(12) **United States Design Patent**
Frühm

(10) **Patent No.:** **US D985,349 S**
(45) **Date of Patent:** **** May 9, 2023**

- (54) **SCREWDRIVER BIT**
- (71) Applicant: **Hermann Frühm**, Pitt Meadows (CA)
- (72) Inventor: **Hermann Frühm**, Pitt Meadows (CA)
- (**) Term: **15 Years**
- (21) Appl. No.: **29/782,648**
- (22) Filed: **May 7, 2021**
- (51) **LOC (14) Cl.** **08-04**
- (52) **U.S. Cl.**
USPC **D8/86**
- (58) **Field of Classification Search**
USPC D8/82, 83, 84, 85, 86, 70
CPC ... B25B 15/001; B25B 15/002; B25B 15/004;
B25B 15/005; B25B 15/007
See application file for complete search history.

(56) **References Cited**

U.S. PATENT DOCUMENTS

D445,325 S	7/2001	Frühm	
6,352,011 B1	3/2002	Frühm	
D462,596 S	9/2002	Frühm	
7,437,979 B1 *	10/2008	Wang B25B 15/001 81/436
D600,525 S *	9/2009	Meng D8/86
7,581,470 B1 *	9/2009	Huang B25B 23/0035 279/22
7,814,815 B2 *	10/2010	Chen B25B 15/005 81/53.2
D631,723 S *	2/2011	DeBaker D8/86
D646,138 S *	10/2011	Hsu D8/86
D646,139 S *	10/2011	Hsu B25B 23/005 D8/86
8,052,156 B2 *	11/2011	Chen B25B 23/0035 81/177.85
D725,984 S *	4/2015	Moss B25B 15/005 D8/86
D726,521 S *	4/2015	Moss B23B 51/08 D8/86

D752,408 S *	3/2016	Moss B25B 23/0035 D8/86
D838,566 S *	1/2019	Moss B25B 15/001 D8/86
D841,425 S *	2/2019	Moss B25B 23/0057 D8/86
D867,093 S *	11/2019	Taguchi B25B 15/005
D867,846 S *	11/2019	Taguchi B25B 15/001 D8/86
D883,062 S *	5/2020	Wu B25B 15/002 D8/86
D885,155 S *	5/2020	Moss D8/86
D885,157 S *	5/2020	Wu D8/86
D906,081 S *	12/2020	Van Essen B25B 15/001 D8/86

(Continued)

OTHER PUBLICATIONS

SureTorq Catalog, Progressive Chunyip (Tianjin) Co. Ltd.

Primary Examiner — Philip S Hyder

(74) *Attorney, Agent, or Firm* — Oyen Wiggs Green & Mutala LLP

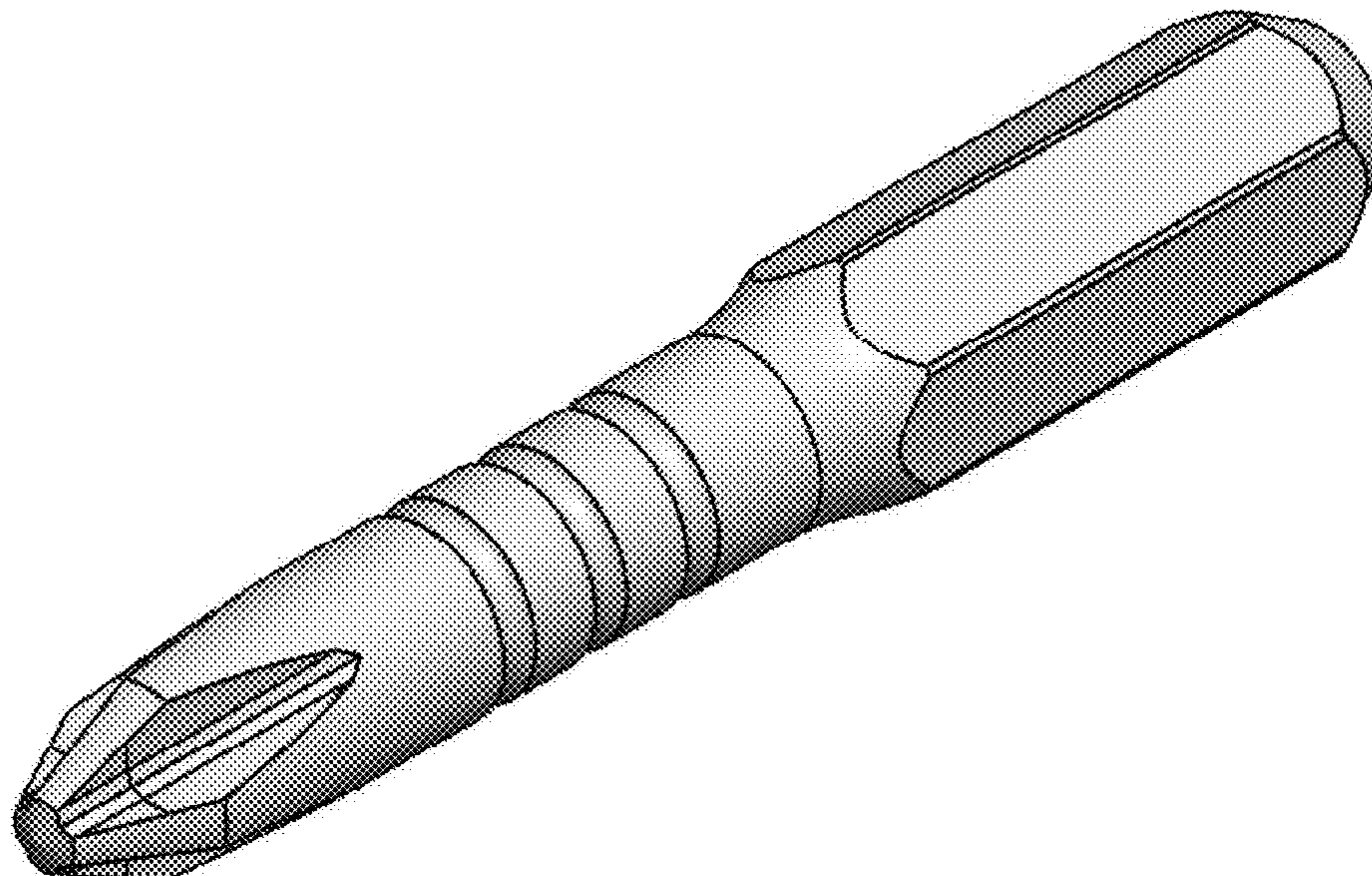
(57) **CLAIM**

The ornamental design for a screwdriver bit, as shown and described.

DESCRIPTION

FIG. 1 is a left side perspective view of the screwdriver bit; FIG. 2 is a front side elevational view of the screwdriver bit of FIG. 1, the back side elevational view being a mirror image thereof; FIG. 3 is a top plan view of the screwdriver bit of FIG. 1, the bottom plan view being a mirror image thereof; FIG. 4 is a left end elevational view of the screwdriver bit of FIG. 1; and, FIG. 5 is a right end elevational view of the screwdriver bit of FIG. 1.

1 Claim, 1 Drawing Sheet



(56)

References Cited

U.S. PATENT DOCUMENTS

D909,846 S * 2/2021 Beh D8/86
 D921,468 S * 6/2021 Zimmermann D8/86
 D933,443 S * 10/2021 Van Essen D8/86
 D955,843 S * 6/2022 Zimmermann B25B 15/001
 D8/86
 2008/0034928 A1 * 2/2008 Sheu B25B 15/001
 81/436
 2008/0216616 A1 * 9/2008 Hsieh B25B 23/0057
 81/438
 2008/0295650 A1 * 12/2008 Hsieh B25B 23/0057
 81/177.85
 2010/0269264 A1 * 10/2010 Huang B23B 51/08
 81/460
 2010/0275741 A1 * 11/2010 Lai G09F 23/00
 81/438
 2010/0288086 A1 * 11/2010 Huang B25B 15/002
 81/460
 2010/0307298 A1 * 12/2010 Lai B25B 23/005
 81/442
 2011/0197721 A1 * 8/2011 DeBaker B23P 15/00
 81/436
 2011/0283842 A1 * 11/2011 Lai B25B 15/001
 81/436
 2015/0196995 A1 * 7/2015 Neitzell B22F 7/06
 81/436
 2016/0325411 A1 * 11/2016 Wang B25B 15/001
 2018/0311799 A1 * 11/2018 Hsu B25B 15/005
 2020/0055166 A1 * 2/2020 Van Essen B25B 15/005
 2020/0384617 A1 * 12/2020 Wu B25B 15/001
 2020/0406433 A1 * 12/2020 Van Essen B25B 15/002

* cited by examiner

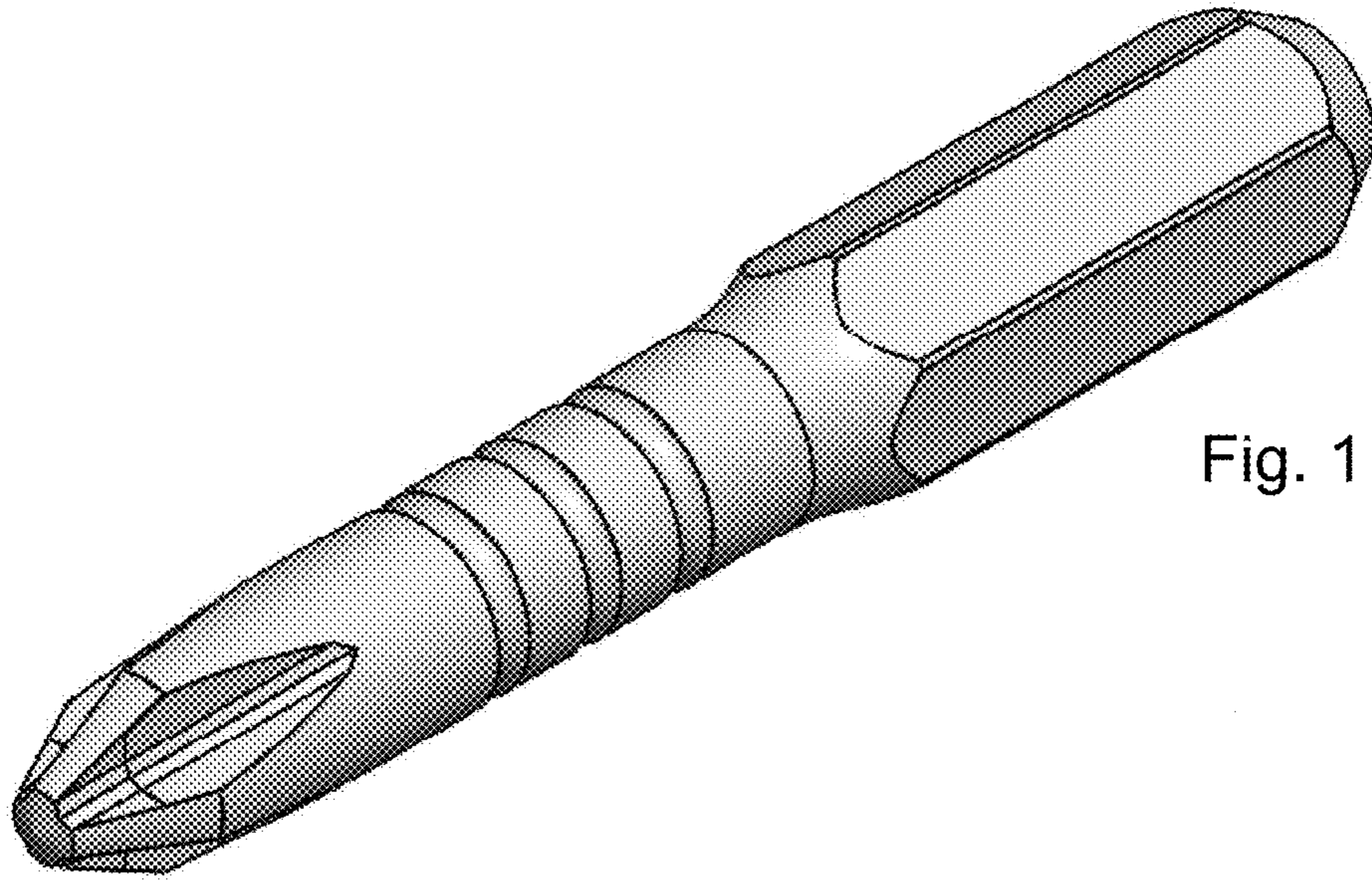


Fig. 1

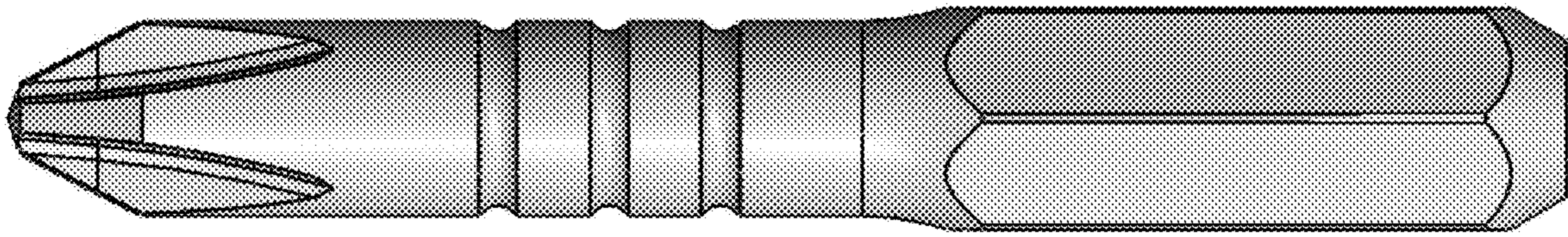


Fig. 2

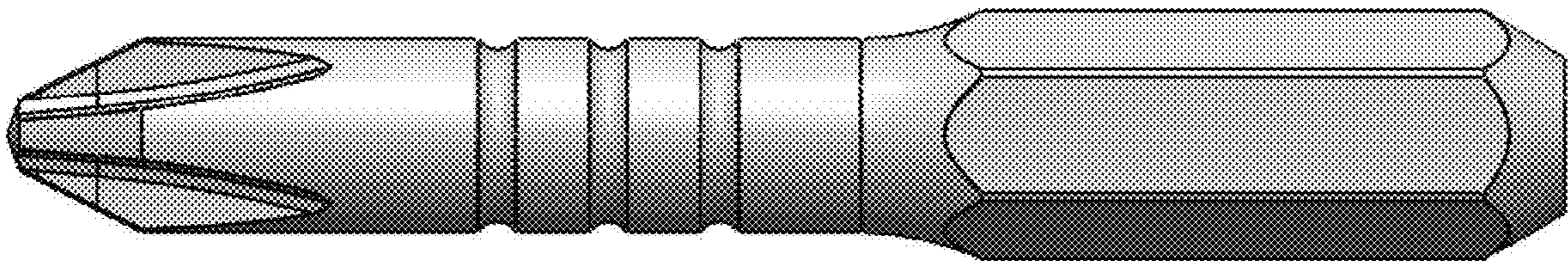


Fig. 3

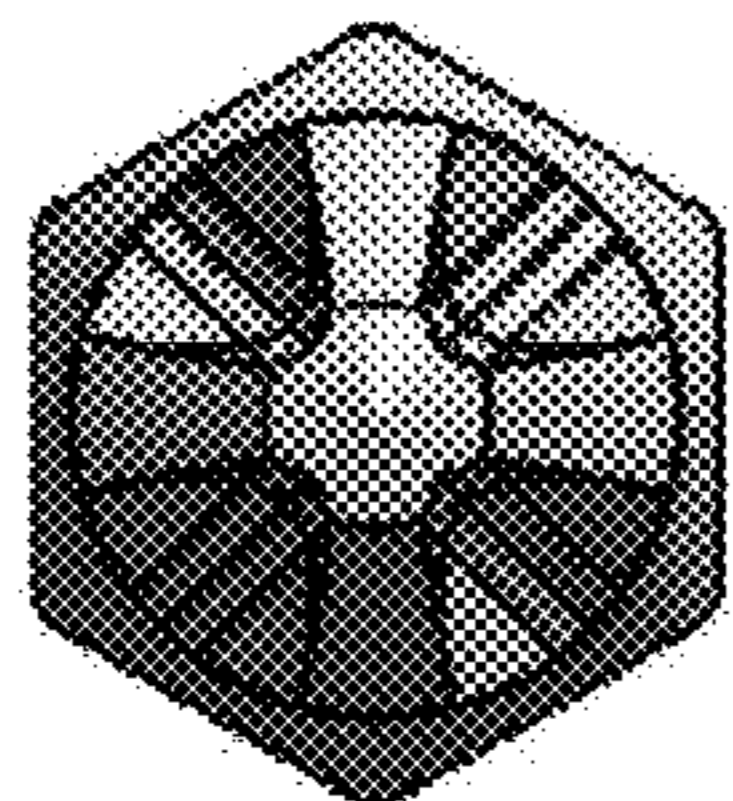


Fig. 4

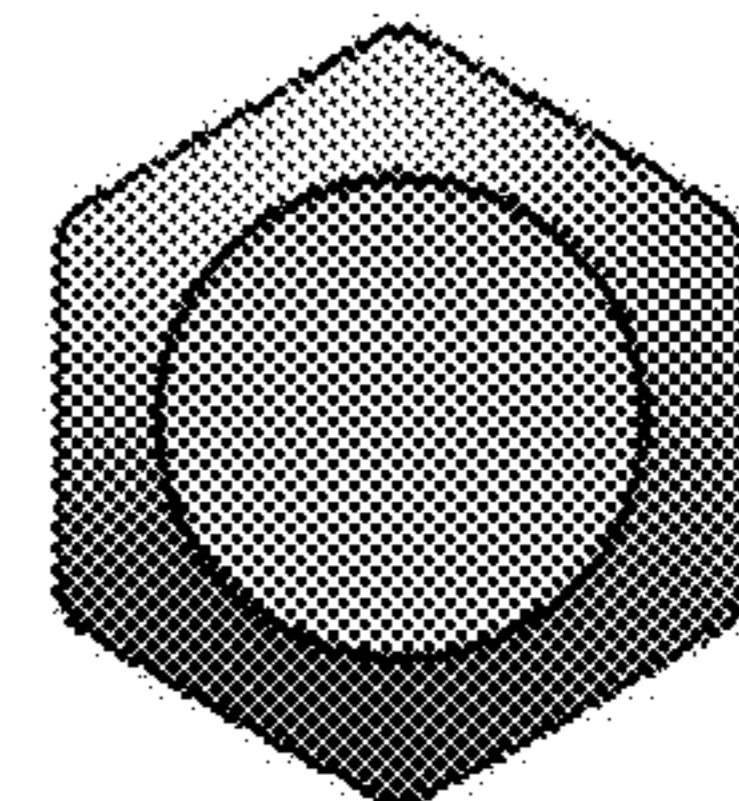


Fig. 5