



US00D985348S

(12) **United States Design Patent** (10) **Patent No.:** **US D985,348 S**
Tygh (45) **Date of Patent:** **** May 9, 2023**

(54) **FIREFIGHTING TOOL**
(71) Applicant: **Daniel P Tygh**, Philadelphia, PA (US)
(72) Inventor: **Daniel P Tygh**, Philadelphia, PA (US)
(**) Term: **15 Years**
(21) Appl. No.: **29/800,423**
(22) Filed: **Jul. 21, 2021**
(51) **LOC (14) Cl.** **08-05**
(52) **U.S. Cl.**
USPC **D8/14; D8/76; D8/89**
(58) **Field of Classification Search**
USPC D8/14, 75, 76, 77, 78, 79, 81, 88, 89,
D8/107
CPC B25G 1/102; A62B 1/14; A62B 3/005;
B26B 23/00; B25F 1/006; B25B 13/48
See application file for complete search history.

(56) **References Cited**

U.S. PATENT DOCUMENTS

D233,405 S * 10/1974 Frey B66F 15/00
D8/81
D596,011 S * 7/2009 Almayda D8/105
8,113,094 B1 * 2/2012 Brackbill B25B 15/00
81/463
D669,331 S * 10/2012 Burdyslaw B25F 1/006
D8/105
D688,348 S * 8/2013 Christenson D22/117
8,677,537 B1 * 3/2014 Ingesson B25F 1/006
7/169
D705,621 S * 5/2014 Tygh B25B 15/00
D8/19
D752,407 S * 3/2016 Johnson B25F 1/006
D8/76
D753,456 S * 4/2016 Kao D8/89

D785,433 S * 5/2017 Bowring D8/78
D823,660 S * 7/2018 Pirrone D8/81
D848,233 S * 5/2019 McCann D8/76
10,427,286 B2 * 10/2019 McCann B26B 23/00
2004/0261188 A1 * 12/2004 Mathis B25F 1/006
7/158
2006/0075572 A1 * 4/2006 Young B25F 1/006
7/138
2020/0140250 A1 * 5/2020 Su B66F 15/00

* cited by examiner

Primary Examiner — Philip S Hyder

(74) Attorney, Agent, or Firm — Stuart M. Goldstein

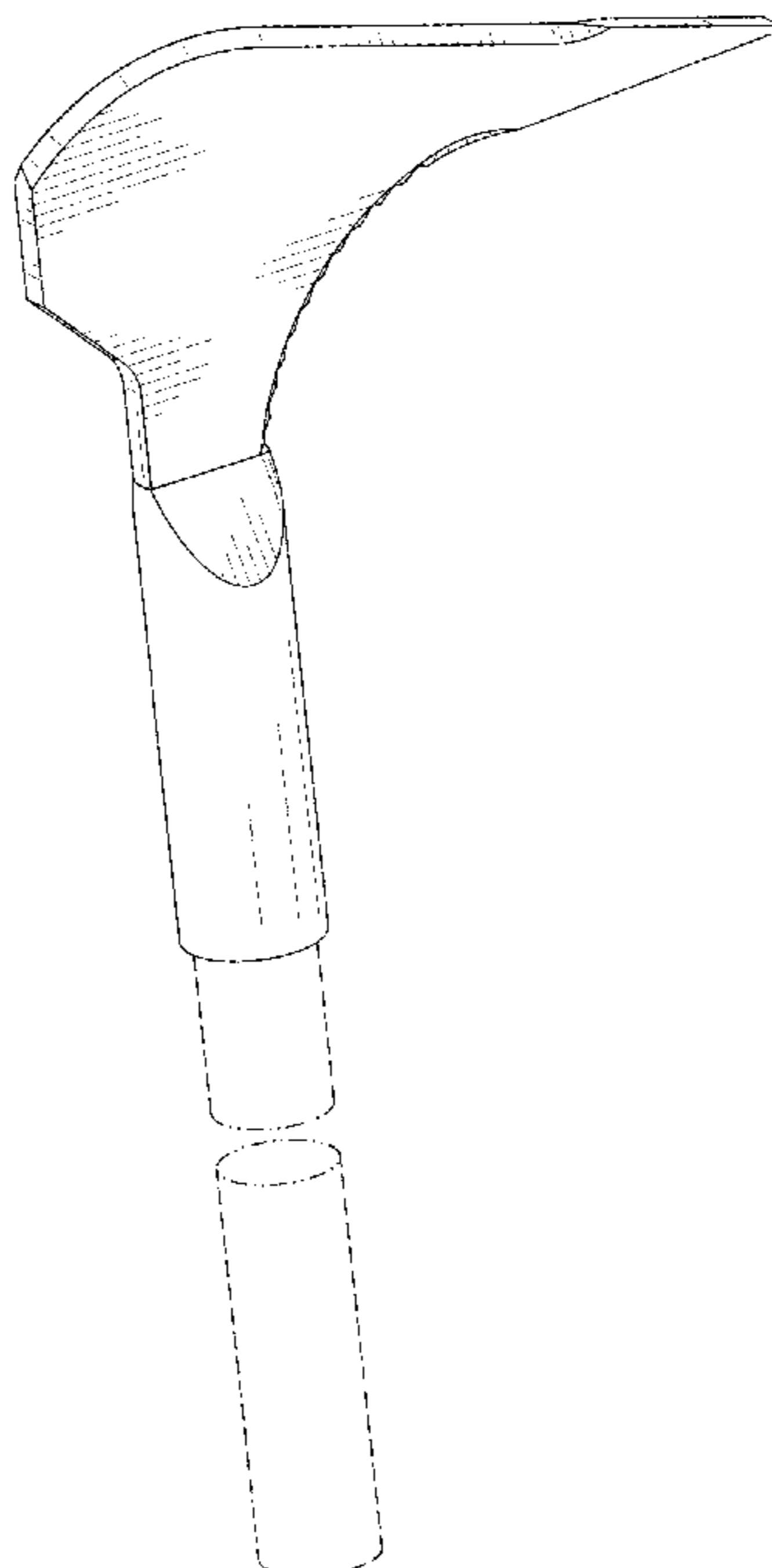
(57) **CLAIM**

The ornamental design for a firefighting tool, as shown and described.

DESCRIPTION

FIG. 1 is a rear perspective view of the firefighting tool of the present invention.
FIG. 2 is a front perspective view of the firefighting tool of the present invention.
FIG. 3 is an elevation view of the firefighting tool of the present invention.
FIG. 4 is the opposite elevation view of the firefighting tool of the present invention.
FIG. 5 is a front view of the firefighting tool of the present invention.
FIG. 6 is a rear view of the firefighting tool of the present invention.
FIG. 7 is a top view of the firefighting tool of the present invention; and,
FIG. 8 is a bottom view of the firefighting tool of the present invention.
The broken lines in the figures illustrate the portions of the design that form no part of the claimed design.

1 Claim, 7 Drawing Sheets



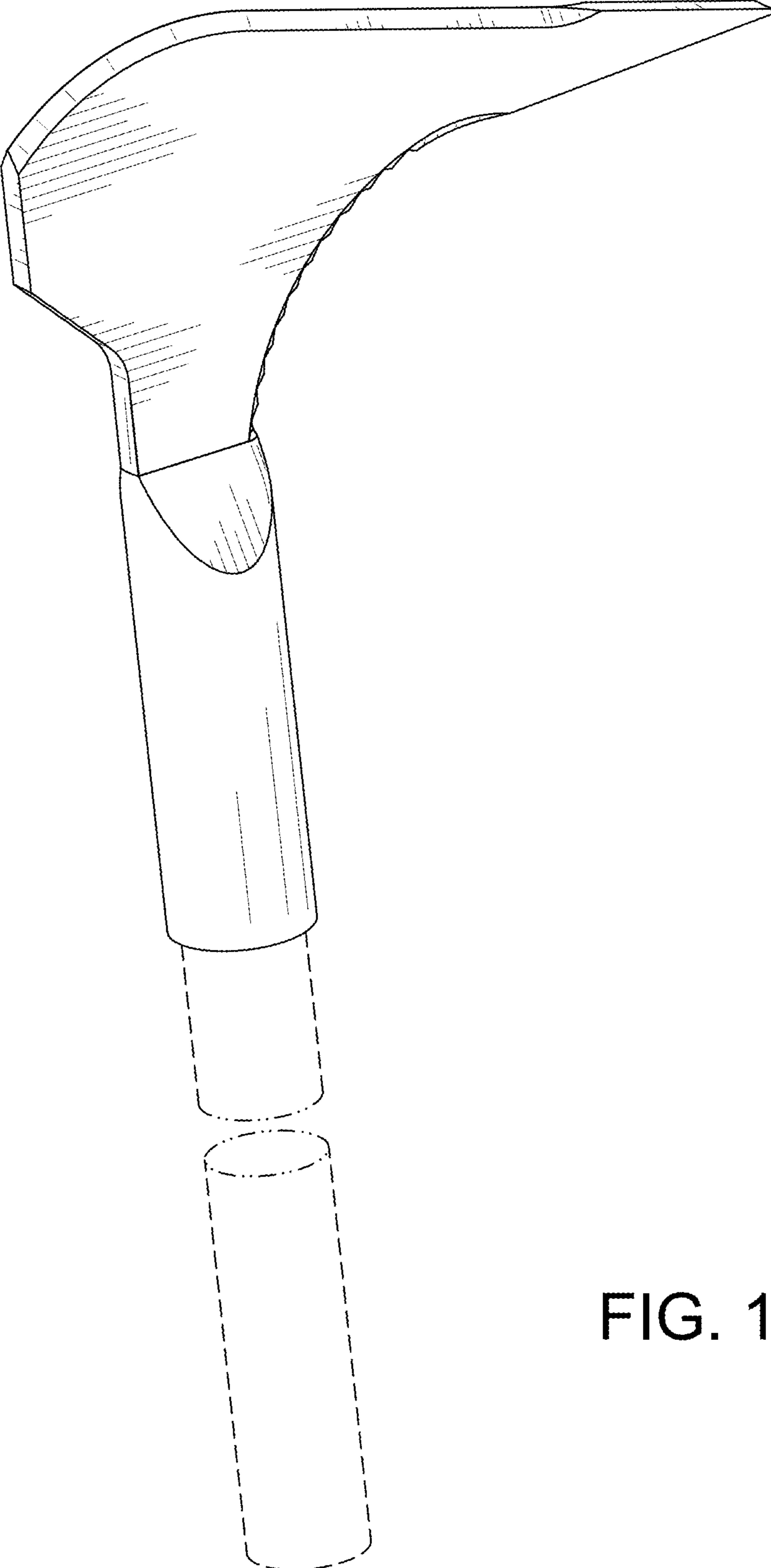


FIG. 1

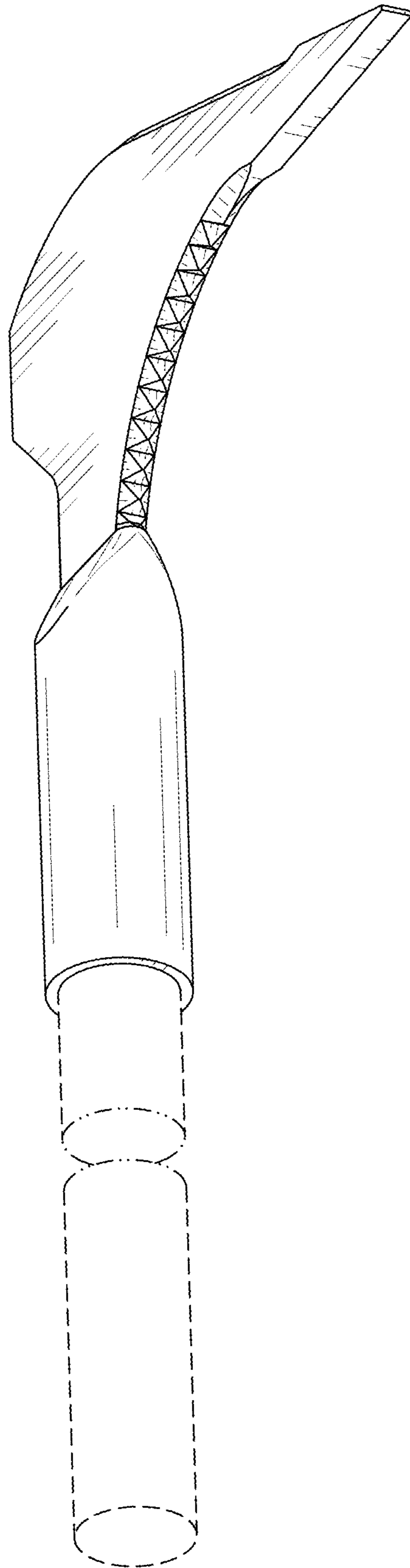


FIG. 2

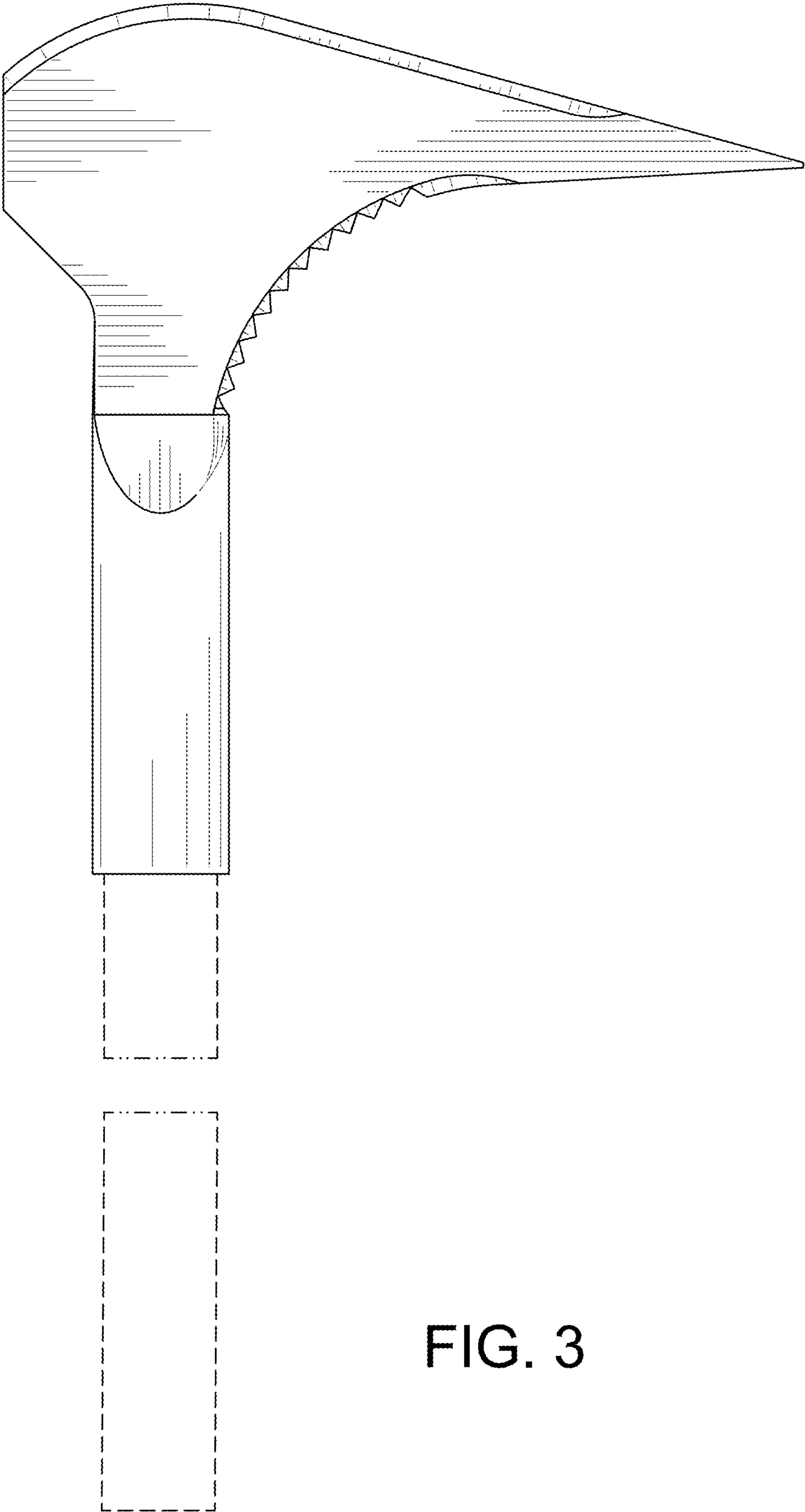


FIG. 3

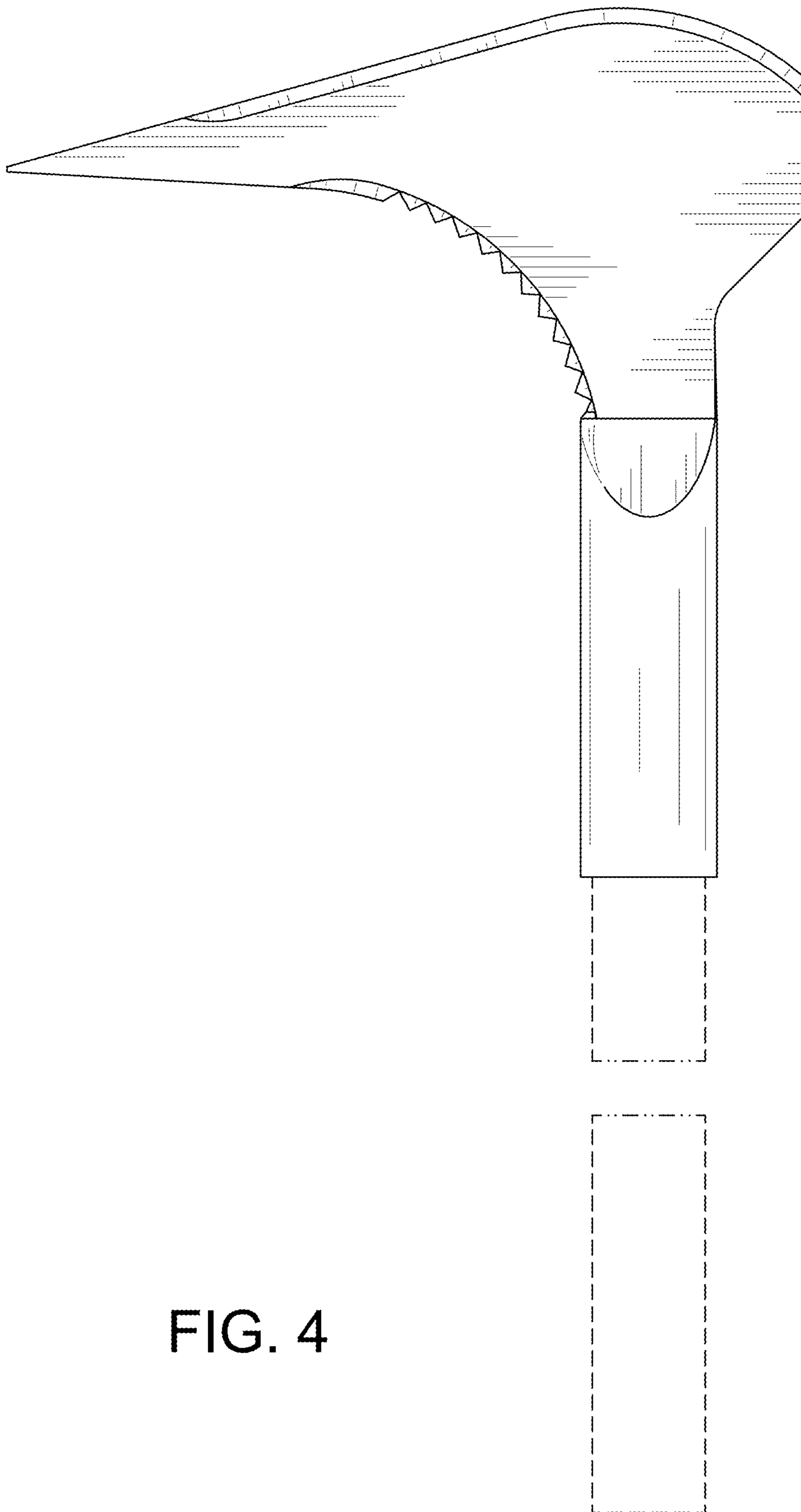


FIG. 4

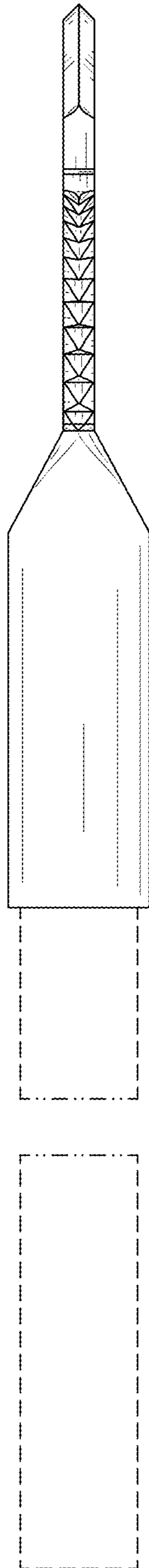


FIG. 5

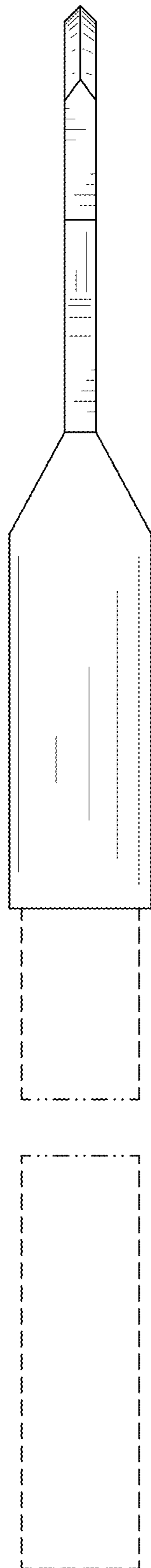


FIG. 6

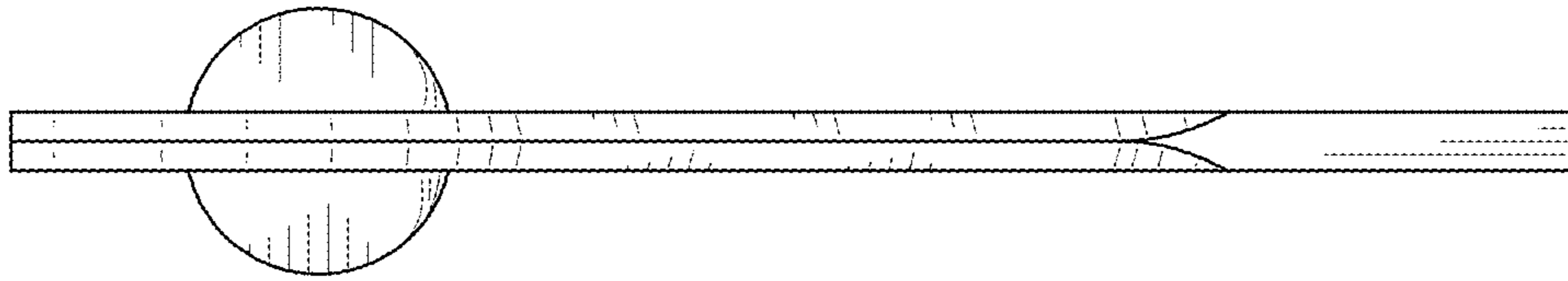


FIG. 7

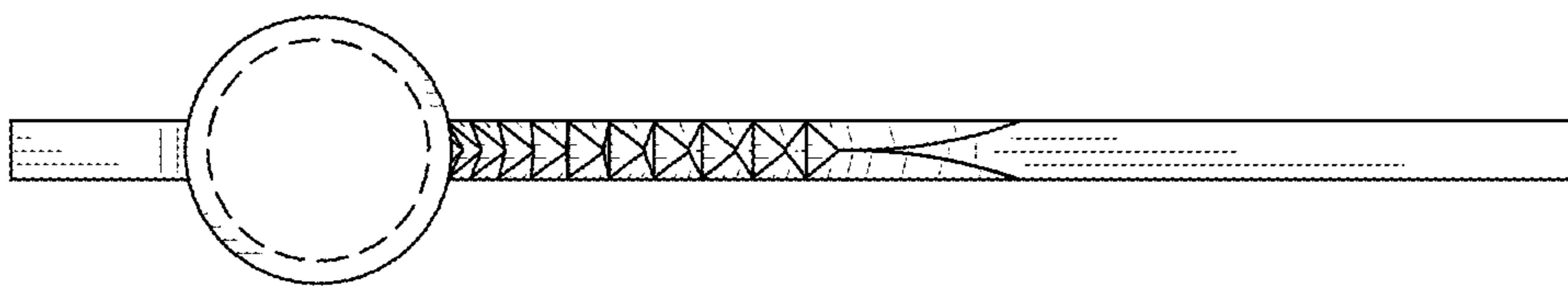


FIG. 8