



US00D985347S

(12) **United States Design Patent**
Zheng

(10) **Patent No.:** **US D985,347 S**

(45) **Date of Patent:** **** May 9, 2023**

- (54) **AXE**
- (71) Applicant: **Haiyan Zheng**, Shenzhen (CN)
- (72) Inventor: **Haiyan Zheng**, Shenzhen (CN)
- (**) Term: **15 Years**

D871,186 S *	12/2019	Hartle	D8/76
2017/0247925 A1 *	8/2017	Sanchez	B25D 1/04
2018/0297188 A1 *	10/2018	McCann	B25G 1/102
2018/0311803 A1 *	11/2018	Hertaus	B23D 51/10
2021/0060752 A1 *	3/2021	Carrington	B25F 1/006

- (21) Appl. No.: **29/790,417**
- (22) Filed: **Nov. 25, 2021**
- (51) **LOC (14) Cl.** **08-02**
- (52) **U.S. Cl.**
USPC **D8/76; D8/81**
- (58) **Field of Classification Search**
USPC D8/75, 76, 77, 78, 79, 81, 88, 89, 105;
D22/118
CPC . B26B 23/00; B25F 1/00; B25F 1/006; A01B
1/20; A62B 3/005; B24D 1/00; B25G
1/04; B25G 3/28
See application file for complete search history.

OTHER PUBLICATIONS

Gerber Gear Down Range Tactical Tomahawk, Amazon.com, First available Feb. 2013.*

* cited by examiner

Primary Examiner — Philip S Hyder

(74) *Attorney, Agent, or Firm* — Runit Ranjit Kanakia

(56) **References Cited**

U.S. PATENT DOCUMENTS

1,923,964 A *	8/1933	Benton	B25F 1/006 7/145
D120,609 S *	5/1940	Arnsbarger	D8/89
3,599,255 A *	8/1971	Carroll, Sr.	B25F 1/00 254/26 R
D318,896 S *	8/1991	Crain	D22/117
7,051,390 B2 *	5/2006	van Beek	B25F 1/00 7/146
D593,833 S *	6/2009	Newhall	D8/76
D688,348 S *	8/2013	Christenson	D22/117
D718,407 S *	11/2014	Lloyd	D22/117
D732,365 S *	6/2015	Oddy	D8/81
D752,407 S *	3/2016	Johnson	D8/76
D767,965 S *	10/2016	Seeds	D8/76
D823,660 S *	7/2018	Pirrone	D8/81
D863,920 S *	10/2019	Liu	D8/81

(57) **CLAIM**

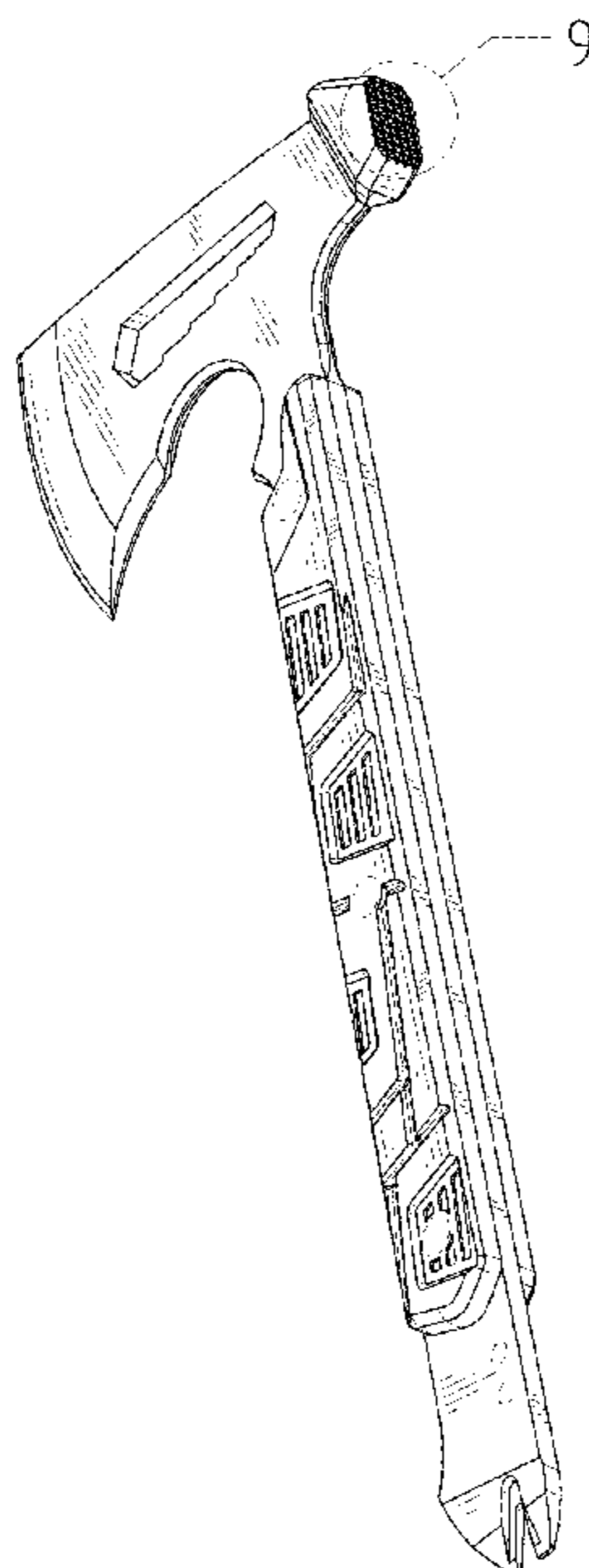
The ornamental design for an axe, as shown and described.

DESCRIPTION

FIG. 1 is a first perspective view of an axe showing my new design;
 FIG. 2 is a second perspective view thereof;
 FIG. 3 is a front view thereof;
 FIG. 4 is a back view thereof;
 FIG. 5 is a left side view thereof;
 FIG. 6 is a right side view thereof;
 FIG. 7 is a top view thereof;
 FIG. 8 is a bottom view thereof;
 FIG. 9 is an enlarged view of the selected portion in FIG. 1; and,
 FIG. 10 is an enlarged view of the selected portion in FIG. 2.

The broken lines shown in the drawings depict portions of the axe in which the design is embodied that form no part of the claimed design.

1 Claim, 10 Drawing Sheets



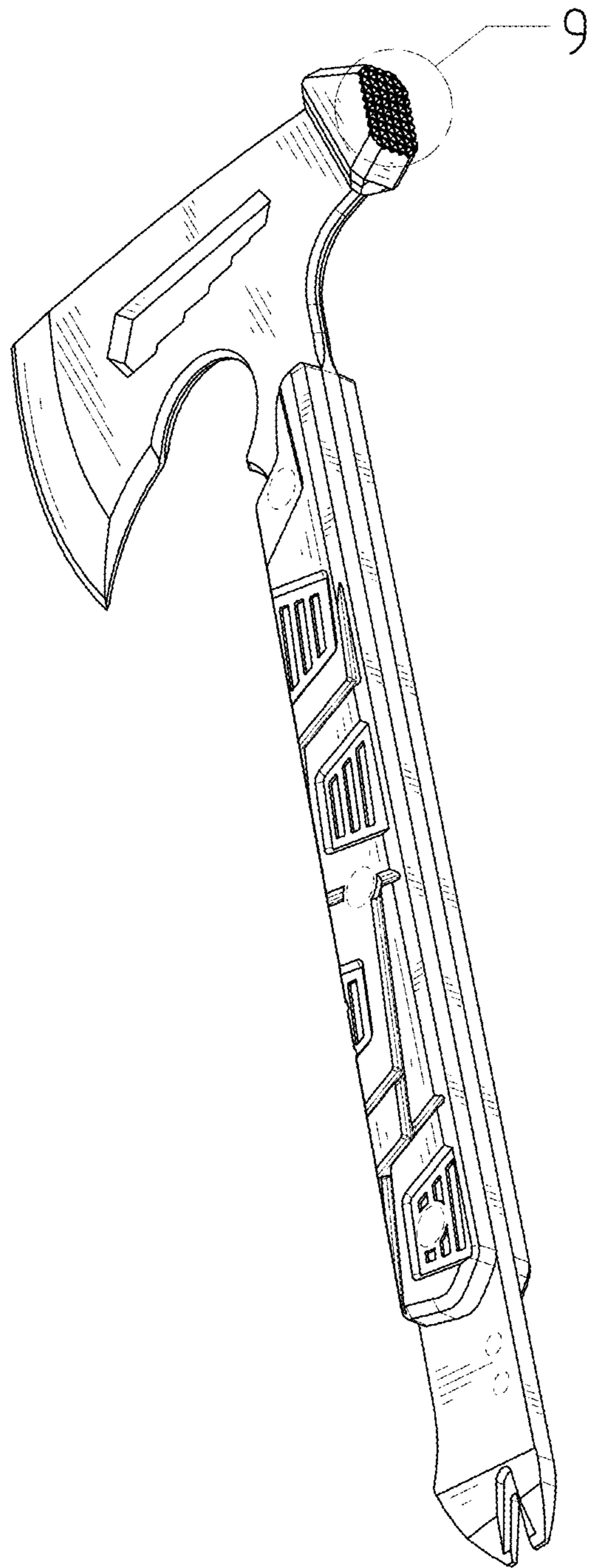


FIG. 1

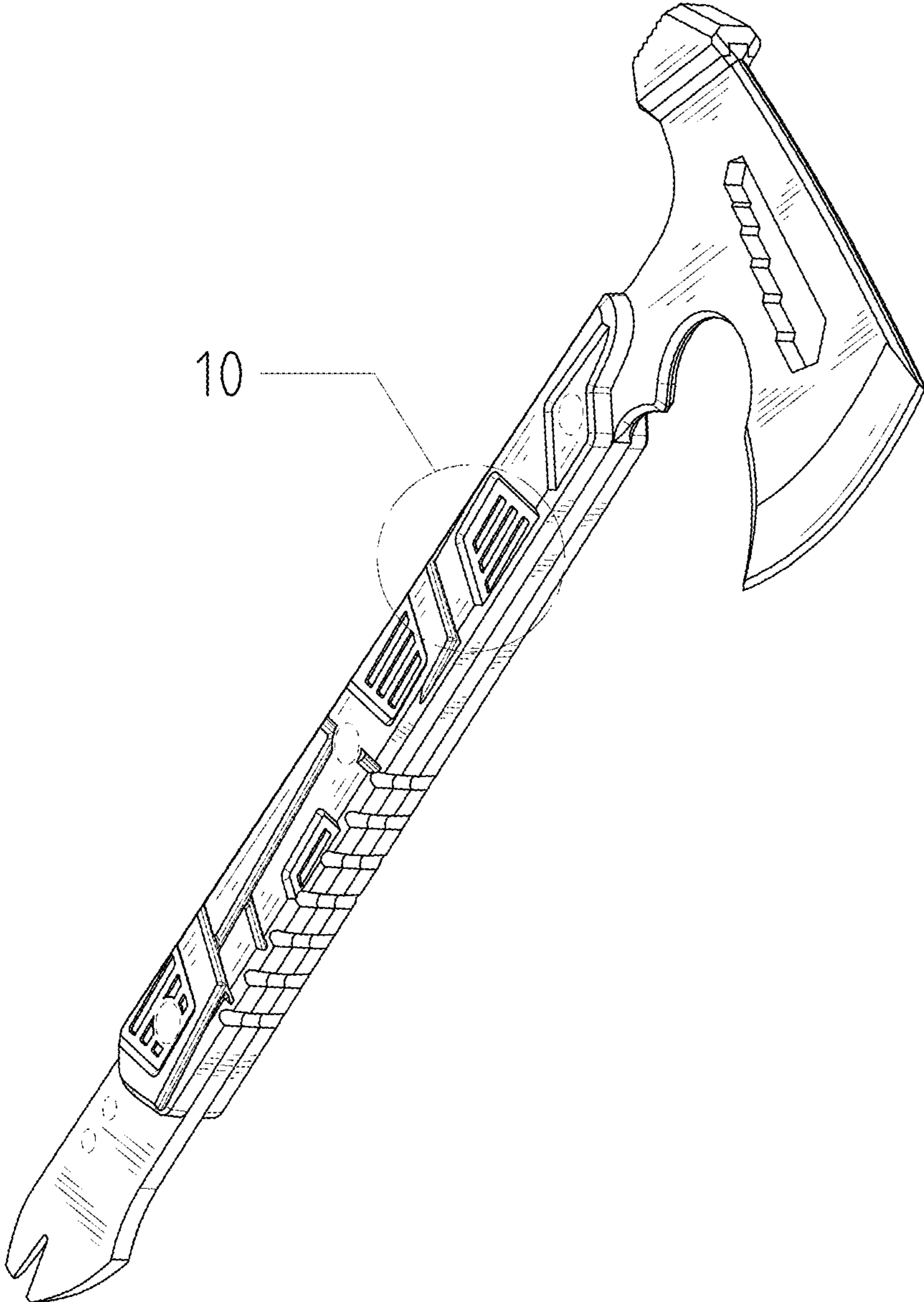


FIG. 2

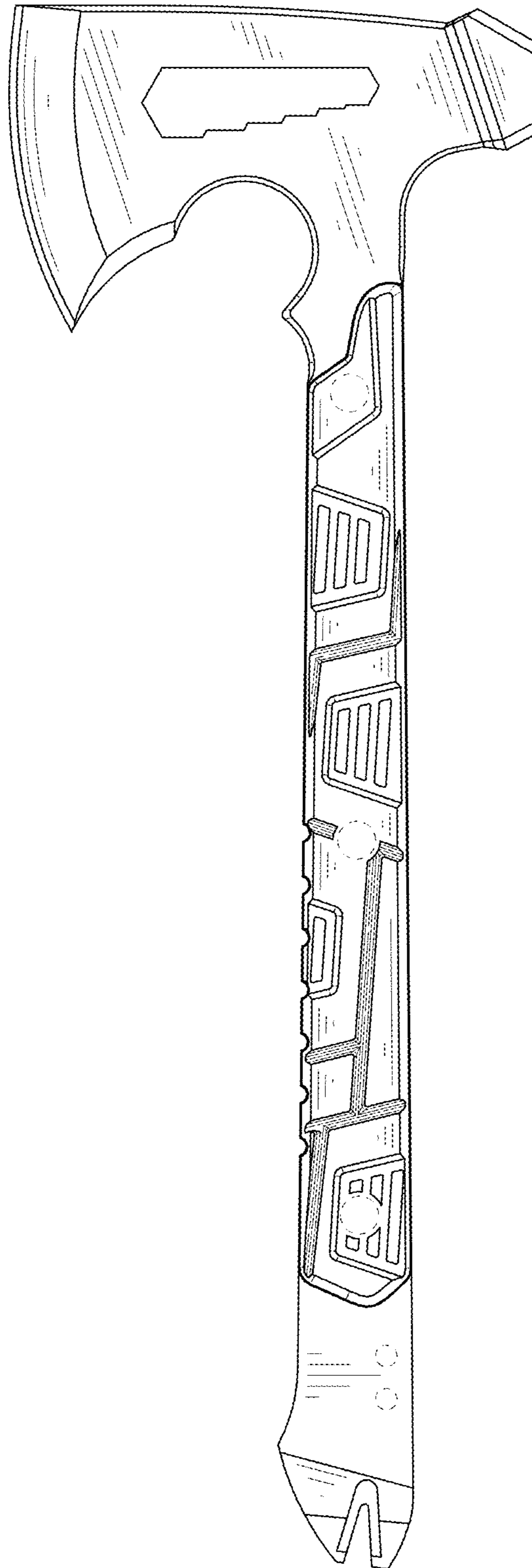


FIG. 3

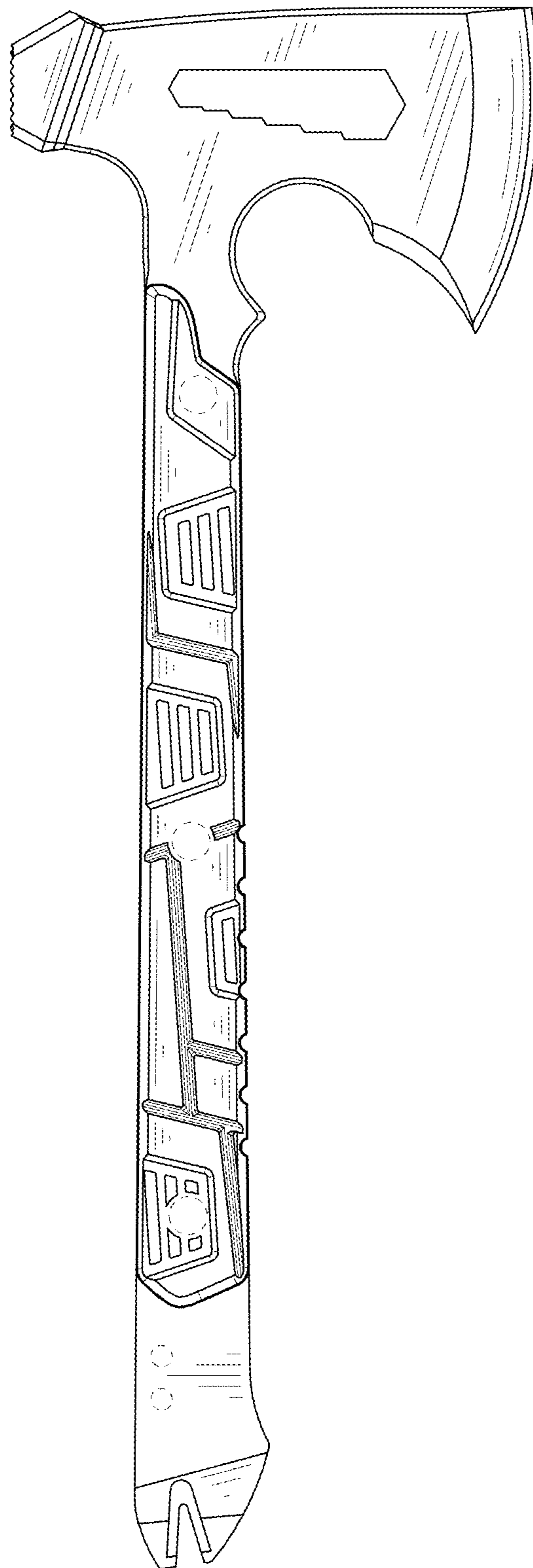


FIG. 4

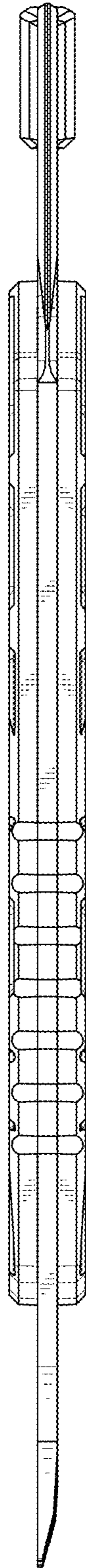


FIG. 5

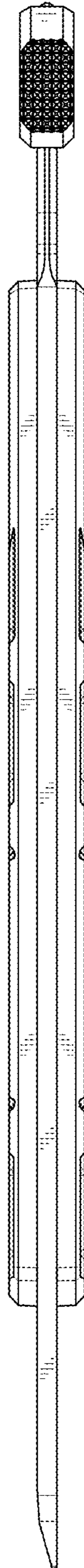


FIG. 6

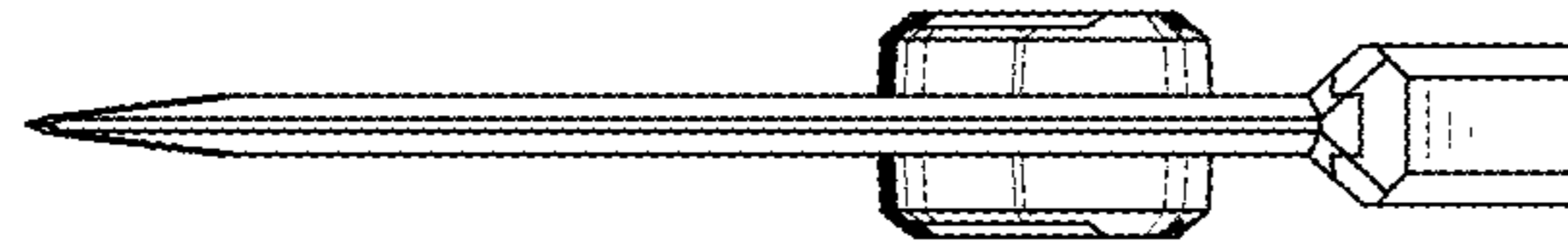


FIG. 7

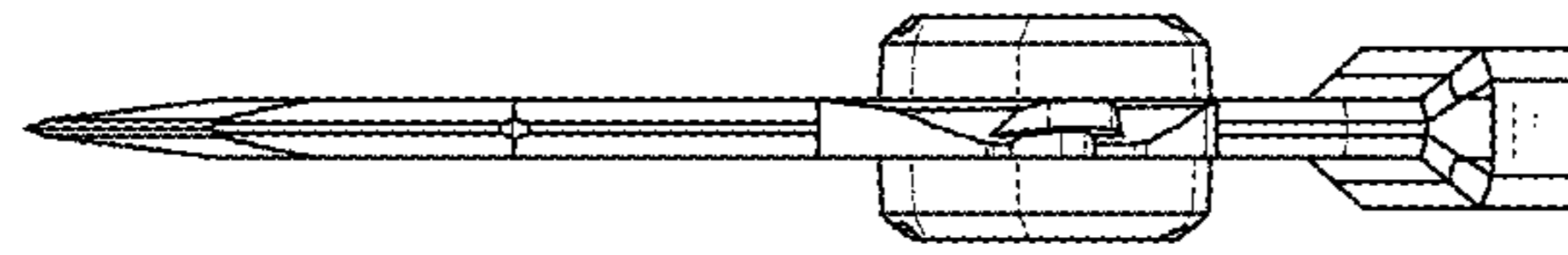


FIG. 8

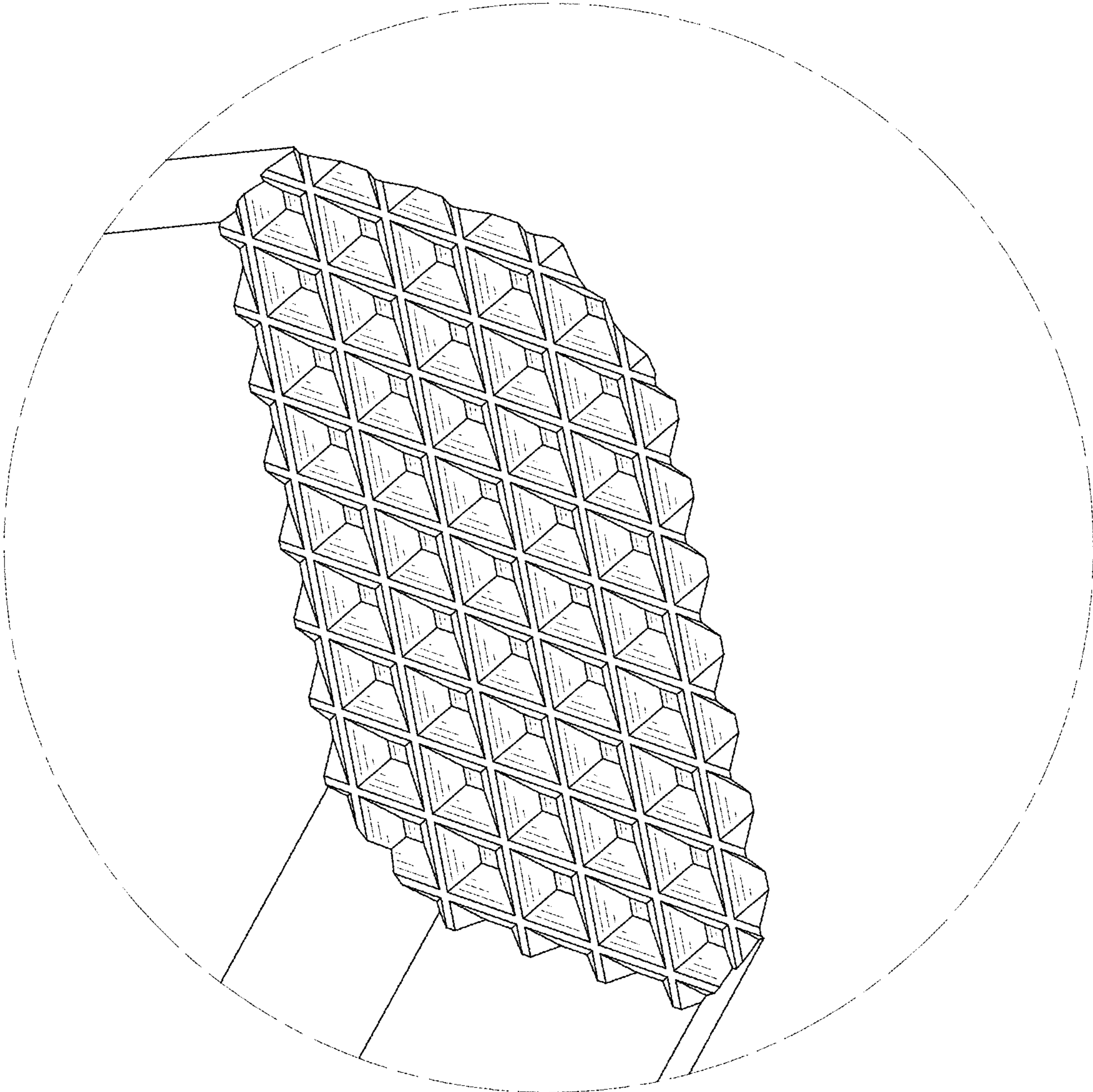


FIG. 9

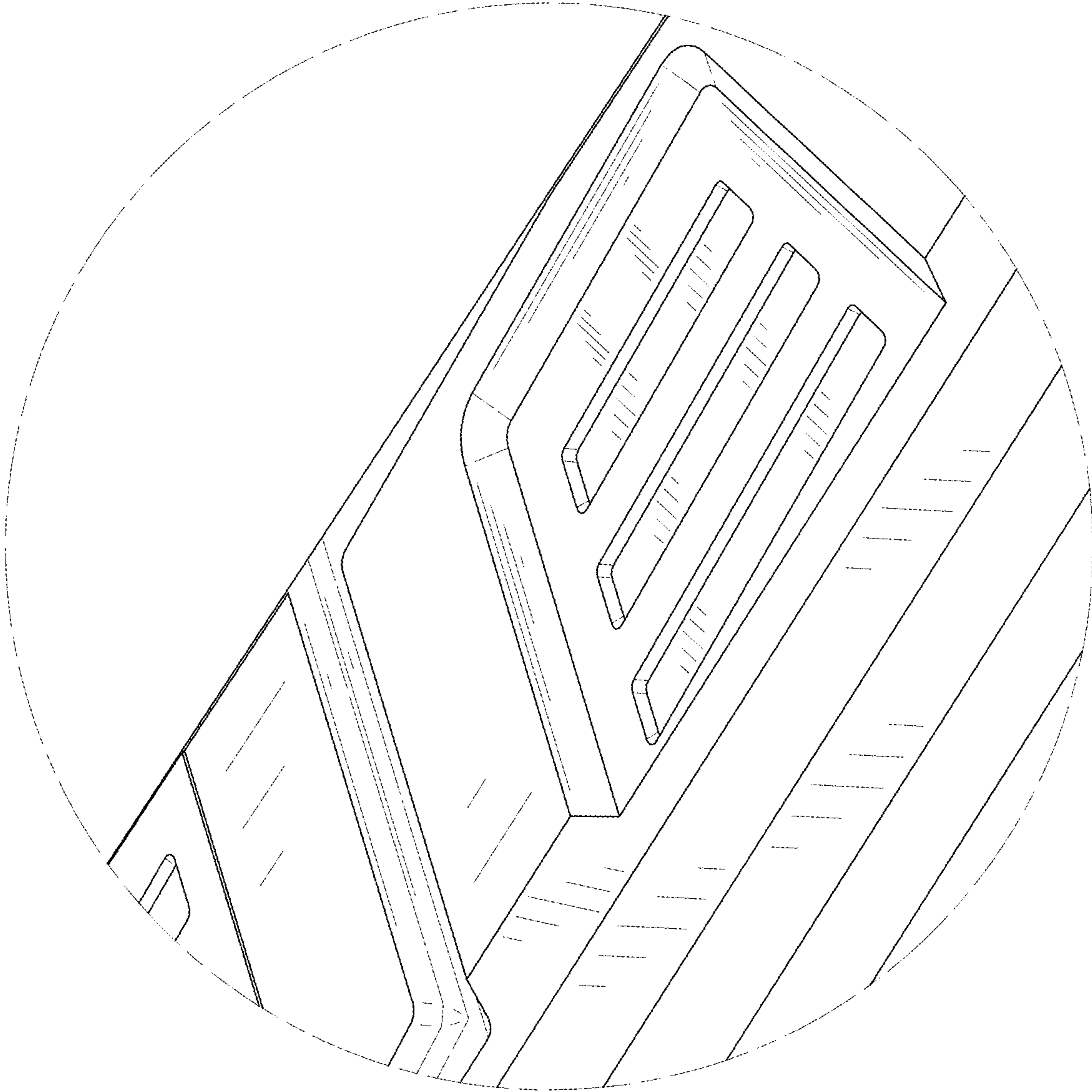


FIG. 10