



US00D985346S

(12) **United States Design Patent**  
**Frison et al.**

(10) **Patent No.:** **US D985,346 S**

(45) **Date of Patent:** **\*\* May 9, 2023**

(54) **TOOL TURNING SUPPORT**

(71) Applicant: **FAMI S.R.L.**, Rosa' (IT)

(72) Inventors: **Lorenzo Frison**, Fontaniva (IT); **Luca Milani**, Rossano Veneto (IT)

(73) Assignee: **FAMI S.R.L.**, Vicenza (IT)

(\*\*) Term: **15 Years**

(21) Appl. No.: **29/777,182**

(22) Filed: **Apr. 3, 2021**

(30) **Foreign Application Priority Data**

Oct. 22, 2020 (EM) ..... 008210520-0002

(51) **LOC (14) Cl.** ..... **08-05**

(52) **U.S. Cl.**  
USPC ..... **D8/71**

(58) **Field of Classification Search**  
USPC ..... D6/553; D8/71-72, 88, 354, 367, 373,  
D8/394; D15/140  
CPC . B25H 3/04; A47F 5/08; A47F 5/0823; A47F  
5/0876; Y10T 407/2282  
See application file for complete search history.

(56) **References Cited**

**U.S. PATENT DOCUMENTS**

- 4,271,735 A \* 6/1981 Denman ..... E21C 35/19  
408/239 R
- D283,100 S \* 3/1986 Porter ..... D8/396
- 4,604,916 A \* 8/1986 Distin, Jr. .... F16H 25/06  
475/168
- D321,635 S \* 11/1991 Kerrigan ..... D8/71
- D343,781 S \* 2/1994 Baughman ..... D8/71
- 5,799,915 A \* 9/1998 Morey ..... F16M 13/02  
248/488
- 6,592,088 B2 \* 7/2003 Thompson ..... F16M 13/02  
403/217

- D519,136 S \* 4/2006 Folk ..... D15/140
- D534,934 S \* 1/2007 Bernhardt ..... D15/140
- D567,560 S \* 4/2008 Byers ..... D6/553
- D571,182 S \* 6/2008 Whitehead ..... D8/107
- D665,432 S \* 8/2012 Jacob ..... D15/140
- D693,391 S \* 11/2013 Roetsch ..... D15/140
- 9,611,875 B2 \* 4/2017 Likosar ..... A63C 11/02
- 10,300,532 B2 \* 5/2019 Chen ..... B23B 27/10
- D896,289 S \* 9/2020 Wachsmann ..... D8/71
- D906,385 S \* 12/2020 Buhr ..... D8/71
- 11,358,273 B2 \* 6/2022 Milani ..... B25H 3/04
- D967,209 S \* 10/2022 Buhr ..... D15/140
- D970,567 S \* 11/2022 Wachsmann ..... D15/140

(Continued)

**OTHER PUBLICATIONS**

"Prime-Line R 7210 Drawer Slide Kit", Jul. 26, 2013, Amazon.com, site visited Feb. 25, 2023: <https://www.amazon.com/Prime-Line-Products-8733-Acrylic-8-Pack/dp/B00E8NB0DQ> (Year: 2013).\*

(Continued)

*Primary Examiner* — Jack Reickel  
*Assistant Examiner* — Michael A Kervin  
(74) *Attorney, Agent, or Firm* — Pearne & Gordon LLP;  
J. Gregory Chrisman

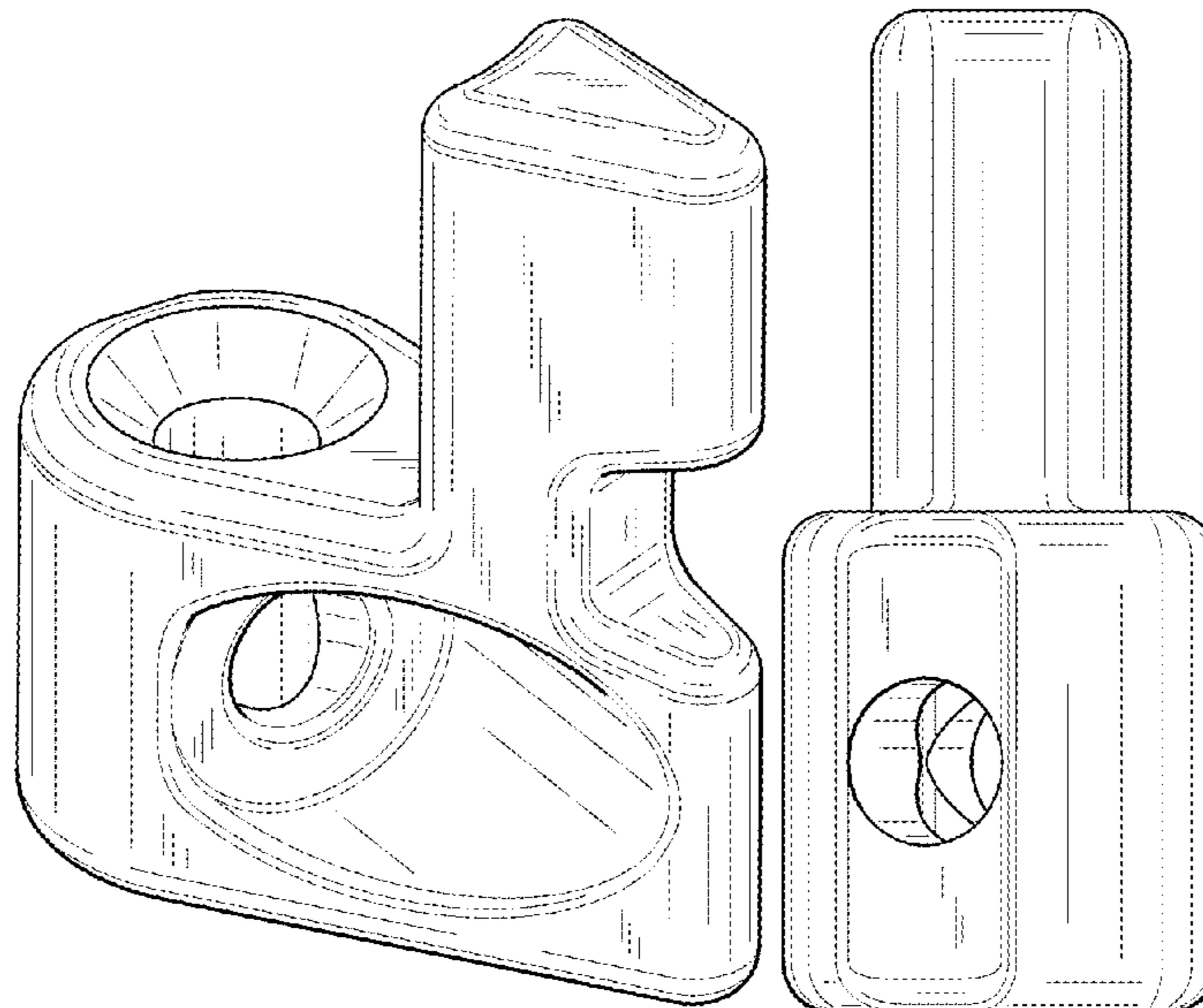
(57) **CLAIM**

The ornamental design for a tool turning support, as shown and described.

**DESCRIPTION**

FIG. 1 is a perspective view of a tool turning support, showing the new design;  
FIG. 2 is a top view thereof;  
FIG. 3 is a bottom view thereof;  
FIG. 4 is a front thereof;  
FIG. 5 is a back thereof;  
FIG. 6 is a left side view thereof; and,  
FIG. 7 is a right side view thereof.

**1 Claim, 3 Drawing Sheets**



(56)

**References Cited**

U.S. PATENT DOCUMENTS

2005/0047877 A1\* 3/2005 Shiraiwa ..... B23B 29/04  
407/101  
2006/0060546 A1\* 3/2006 Lin ..... F16M 13/02  
211/60.1  
2007/0120021 A1\* 5/2007 Lin ..... F16B 2/18  
248/49  
2009/0199372 A1\* 8/2009 Anderson ..... F16B 15/04  
24/457  
2010/0012856 A1\* 1/2010 Aoki ..... H01L 21/68728  
250/491.1  
2010/0183385 A1\* 7/2010 Conway ..... B23B 27/1677  
407/107  
2011/0114580 A1\* 5/2011 Chen ..... B25H 3/04  
211/70.6  
2011/0116879 A1\* 5/2011 Mochizuki ..... B23B 27/1677  
407/107  
2012/0219375 A1\* 8/2012 Hobohm ..... B23C 5/10  
409/234  
2012/0273634 A1\* 11/2012 Hanson ..... H01F 7/0252  
29/559  
2015/0226244 A1\* 8/2015 Likosar ..... F16B 2/10  
24/495

2015/0231743 A1\* 8/2015 Bertolotti ..... B23K 37/006  
248/674  
2015/0251311 A1\* 9/2015 Huang ..... F16B 21/04  
211/70.6  
2018/0369923 A1\* 12/2018 Chen ..... B23B 27/16  
2021/0093423 A1\* 4/2021 Marko ..... A61C 13/01  
2021/0370492 A1\* 12/2021 Milani ..... B25H 3/04  
2022/0176543 A1\* 6/2022 Hurley ..... B25H 3/06

OTHER PUBLICATIONS

“AllSpace 450036-25 Plastic Pin for Peg Board”, Nov. 4, 2016, Amazon.com, site visited Feb. 25, 2023: <https://www.amazon.com/AllSpace-450036-25-Plastic-Garage-PegBoard-450036-25/dp/B01MXBP6HT> (Year: 2016).\*

“Hydanle Cabinet Door Glass Retainer Clips Kit”, Jul. 19, 2019, Amazon.com, site visited Feb. 25, 2023: <https://www.amazon.com/Glass-Retainer-Plastic-Offset-Anchor/dp/B07VCSY96K> (Year: 2019).\*

“Unipok & Iron Team—Together is better!”, Nov. 3, 2020, YouTube.com, site visited Feb. 25, 2023: <https://www.youtube.com/watch?v=55VKTm75zE4> (Year: 2020).\*

\* cited by examiner

FIG. 1

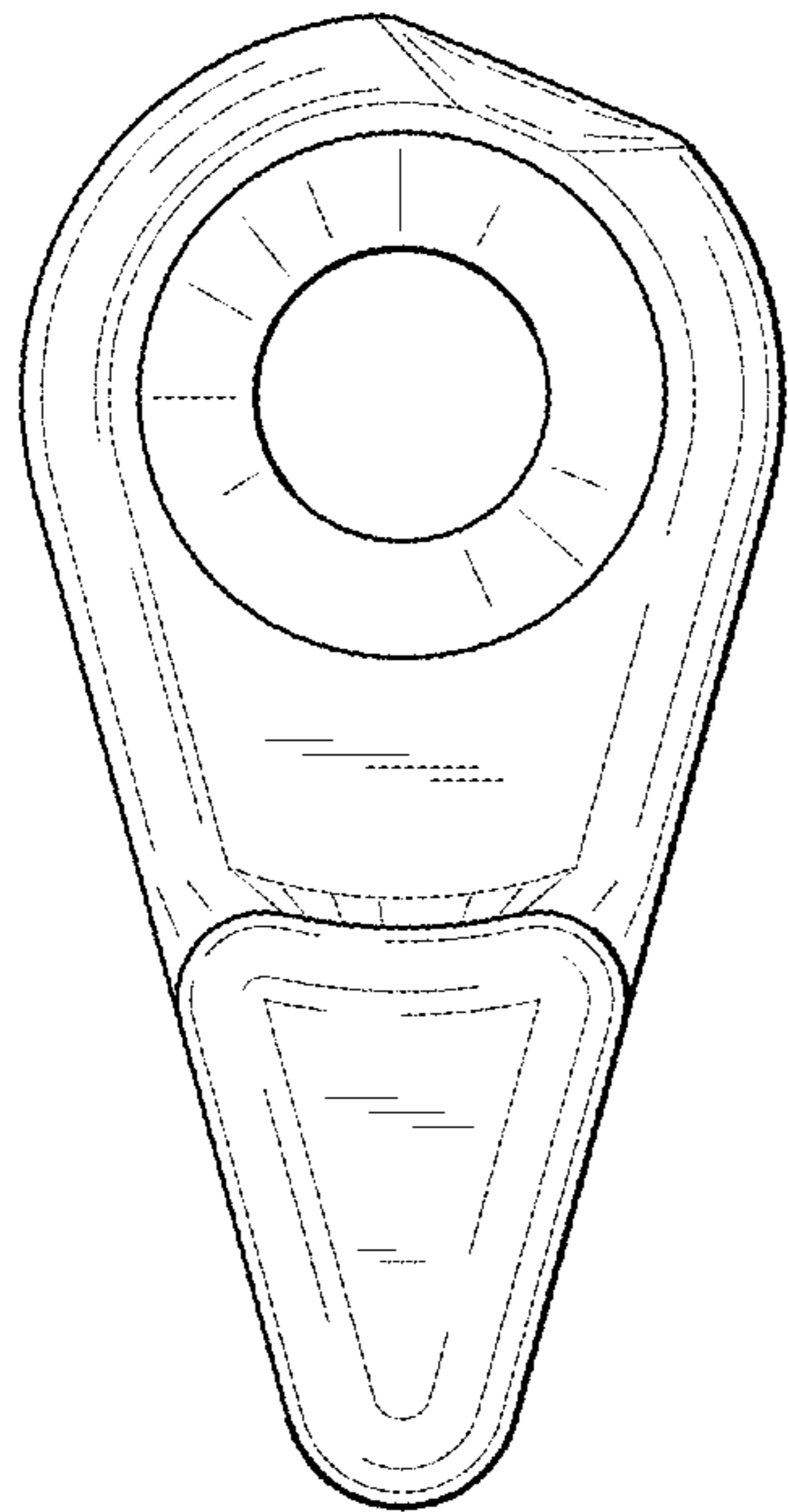
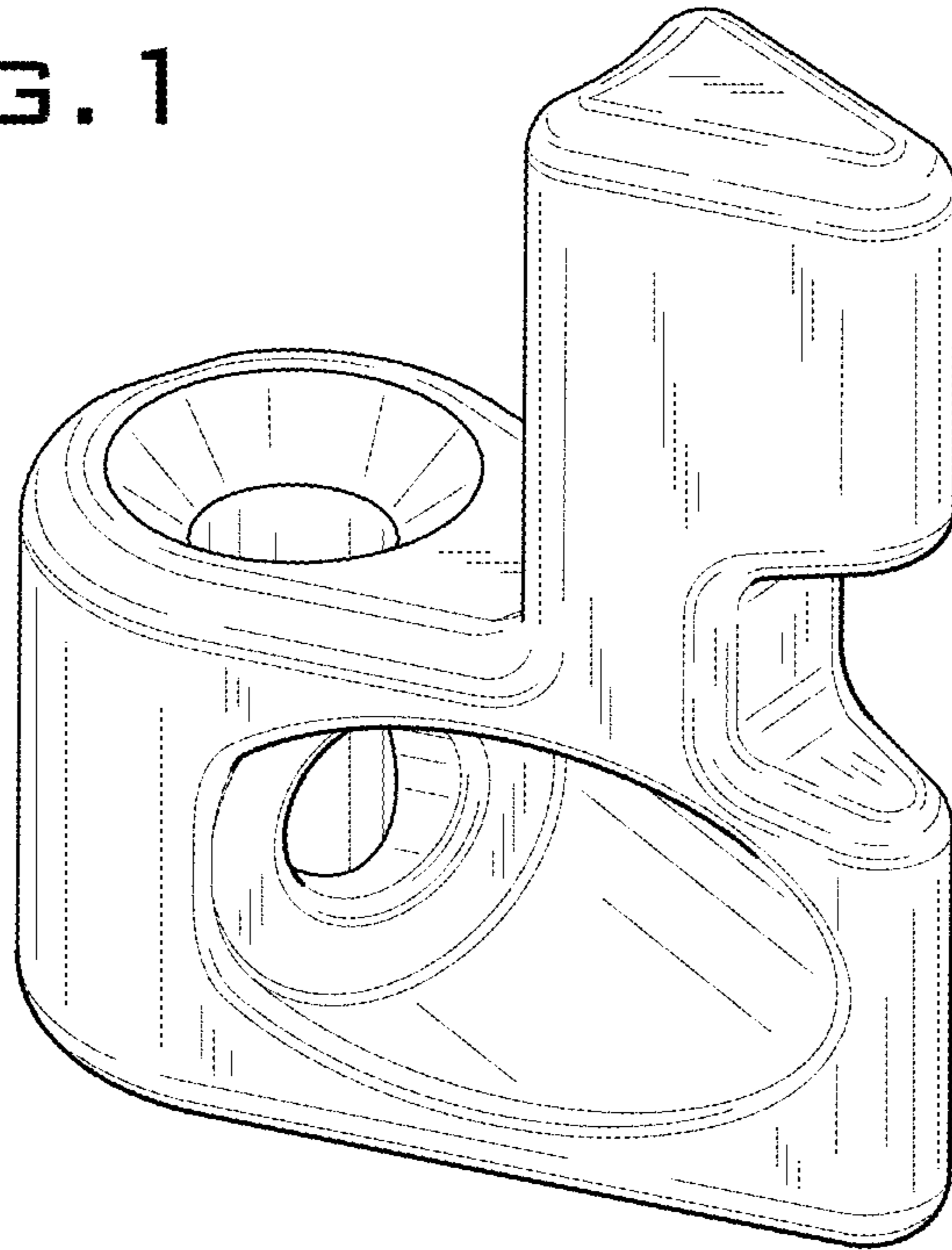


FIG. 2

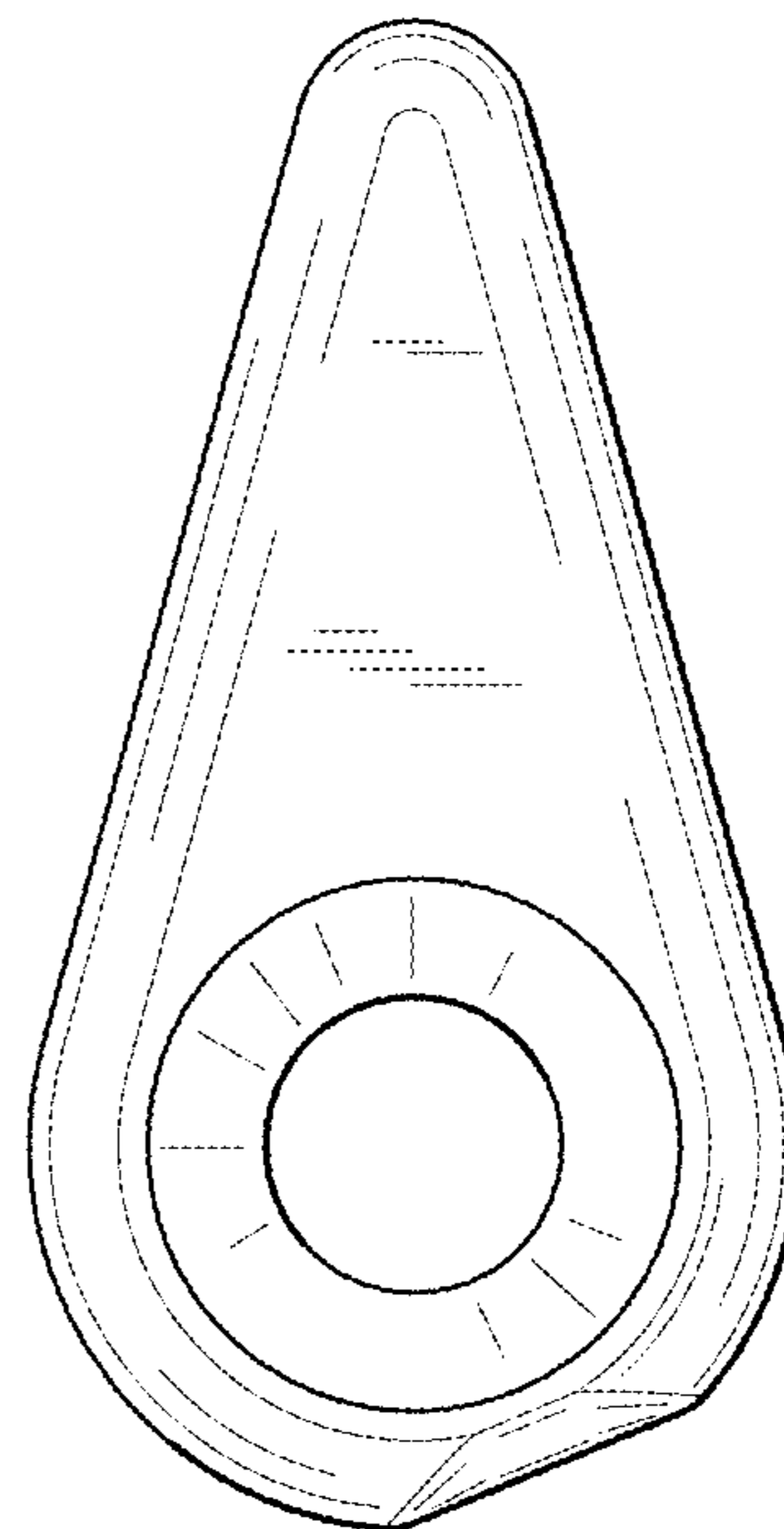


FIG. 3

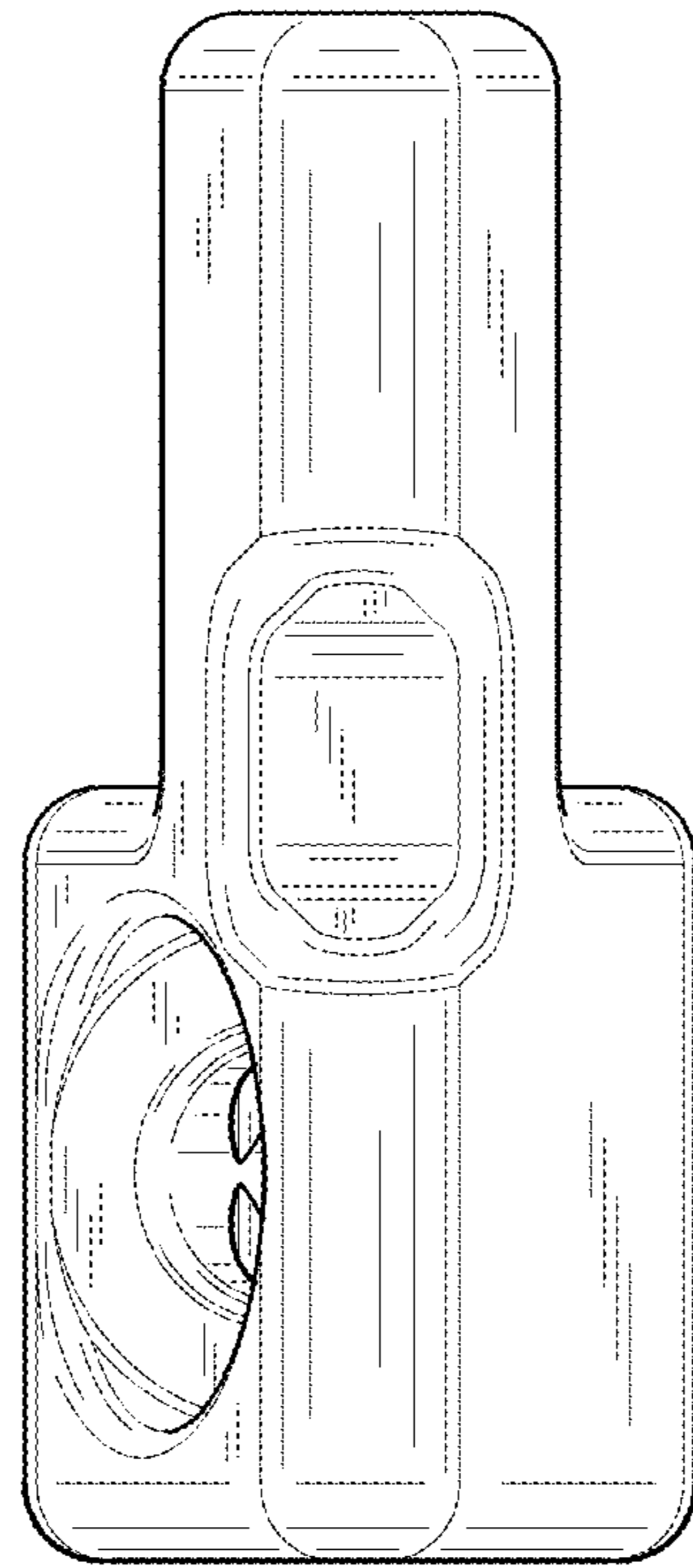


FIG. 4

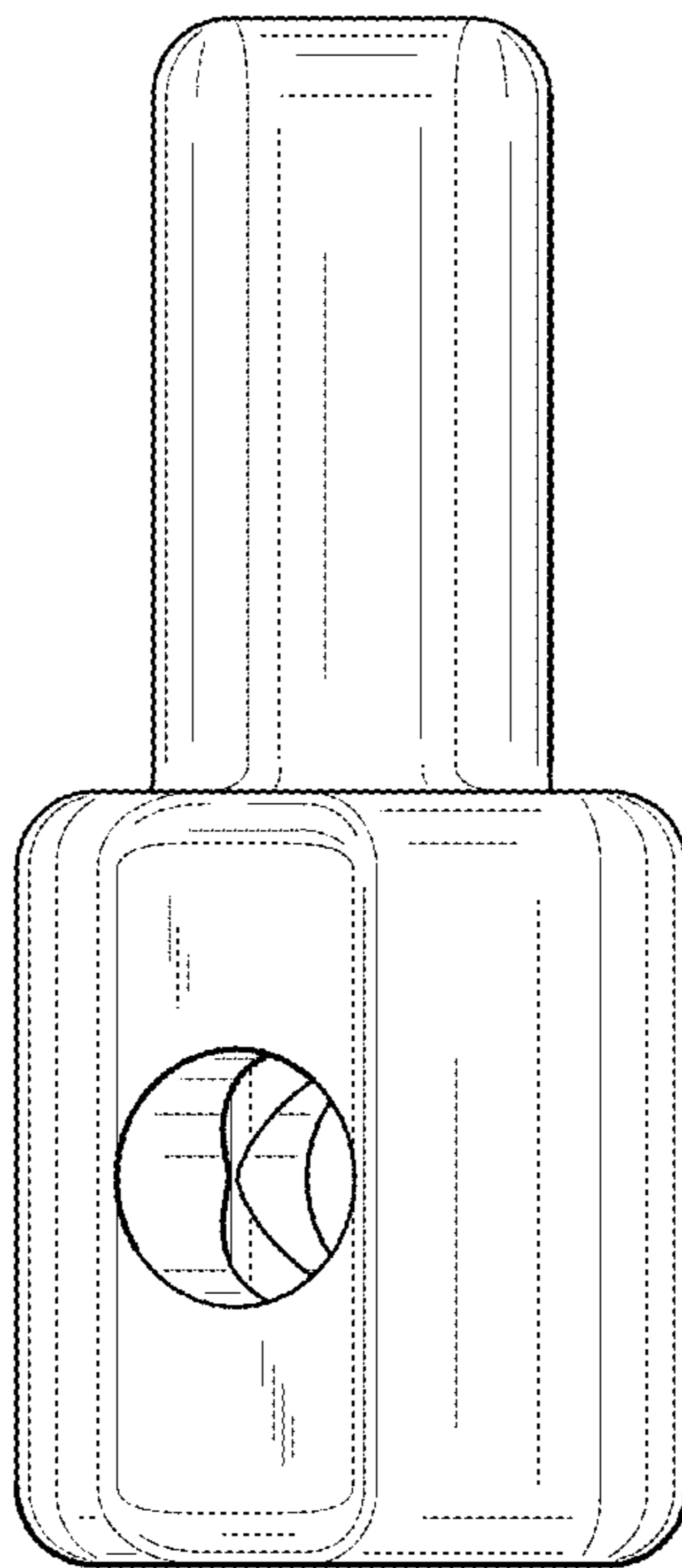


FIG. 5



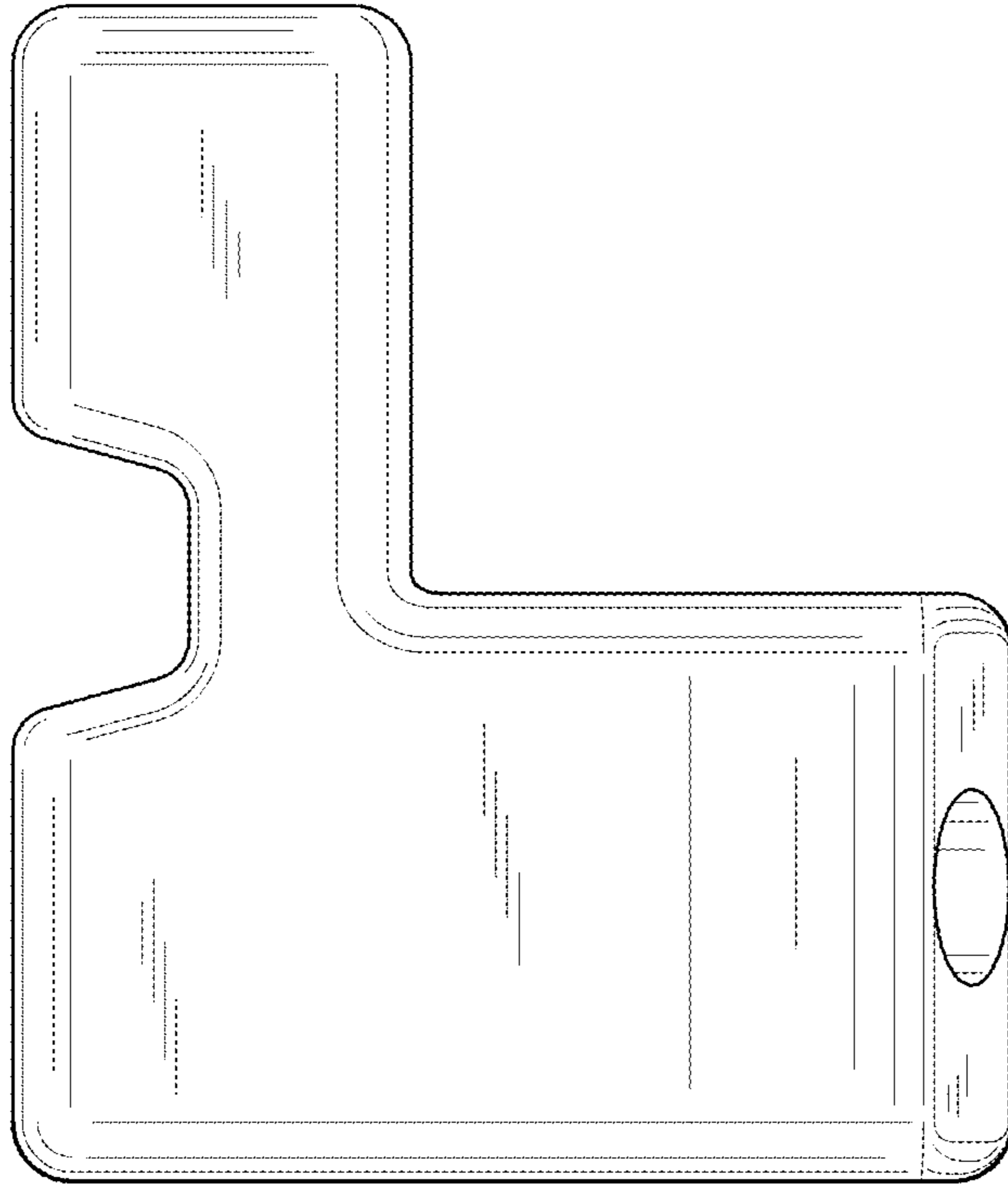


FIG. 6

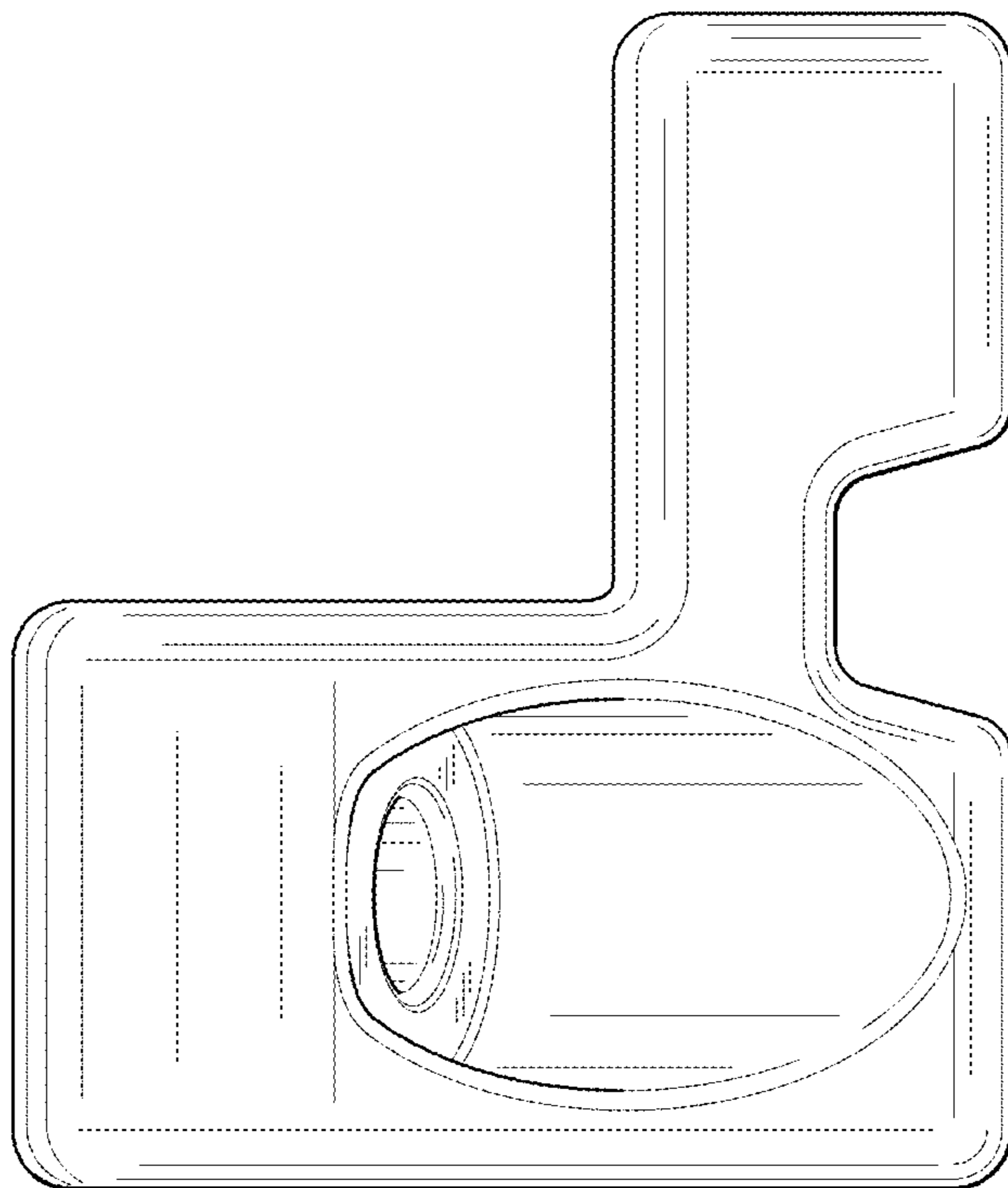


FIG. 7