



US00D985345S

(12) **United States Design Patent** (10) **Patent No.:** **US D985,345 S**
Marovic et al. (45) **Date of Patent:** **** May 9, 2023**

(54) **SCISSORS**

(71) Applicant: **KNIPEX-Werk C. Gustav Putsch KG**,
Wuppertal (DE)

(72) Inventors: **Filip Marovic**, Wuppertal (DE); **Mario Mosler**, Leichlingen (DE)

(73) Assignee: **KNIPEX-Werk C. Gustav Putsch KG**,
Wuppertal (DE)

(**) Term: **15 Years**

(21) Appl. No.: **29/809,398**

(22) Filed: **Sep. 28, 2021**

(30) **Foreign Application Priority Data**

Mar. 31, 2021	(EM)	008482848-0001
Mar. 31, 2021	(EM)	008482848-0002
Mar. 31, 2021	(EM)	008482848-0003
Mar. 31, 2021	(EM)	008482848-0004
Mar. 31, 2021	(EM)	008482848-0005
Mar. 31, 2021	(EM)	008482848-0006
Mar. 31, 2021	(EM)	008482848-0007
Mar. 31, 2021	(EM)	008482848-0008
Mar. 31, 2021	(EM)	008482848-0009
Mar. 31, 2021	(EM)	008482848-0010
Mar. 31, 2021	(EM)	008482848-0011
Mar. 31, 2021	(EM)	008482848-0012
Mar. 31, 2021	(EM)	008482848-0013
Mar. 31, 2021	(EM)	008482848-0014
Mar. 31, 2021	(EM)	008482848-0015
Mar. 31, 2021	(EM)	008482848-0016

(51) **LOC (14) Cl.** **08-03**

(52) **U.S. Cl.**
USPC **D8/57**

(58) **Field of Classification Search**
USPC D8/51-58, 4-5, 14
CPC B26B 13/00; B26B 13/02; B26B 13/12
See application file for complete search history.

(56) **References Cited**

U.S. PATENT DOCUMENTS

D307,696 S	5/1990	Kimikazu et al.	
D469,323 S *	1/2003	Linden	D8/5
D491,775 S *	6/2004	Tomchak	D8/5
D545,646 S	7/2007	Shan	
D547,139 S	7/2007	Shan	
D580,236 S	11/2008	Wu	
D630,067 S	1/2011	Block et al.	
D638,674 S	5/2011	Huang	

(Continued)

FOREIGN PATENT DOCUMENTS

CN	427863	3/2001
CN	3460049	7/2005

(Continued)

Primary Examiner — Deanna L Pratt

(74) *Attorney, Agent, or Firm* — Collard & Roe, P.C.

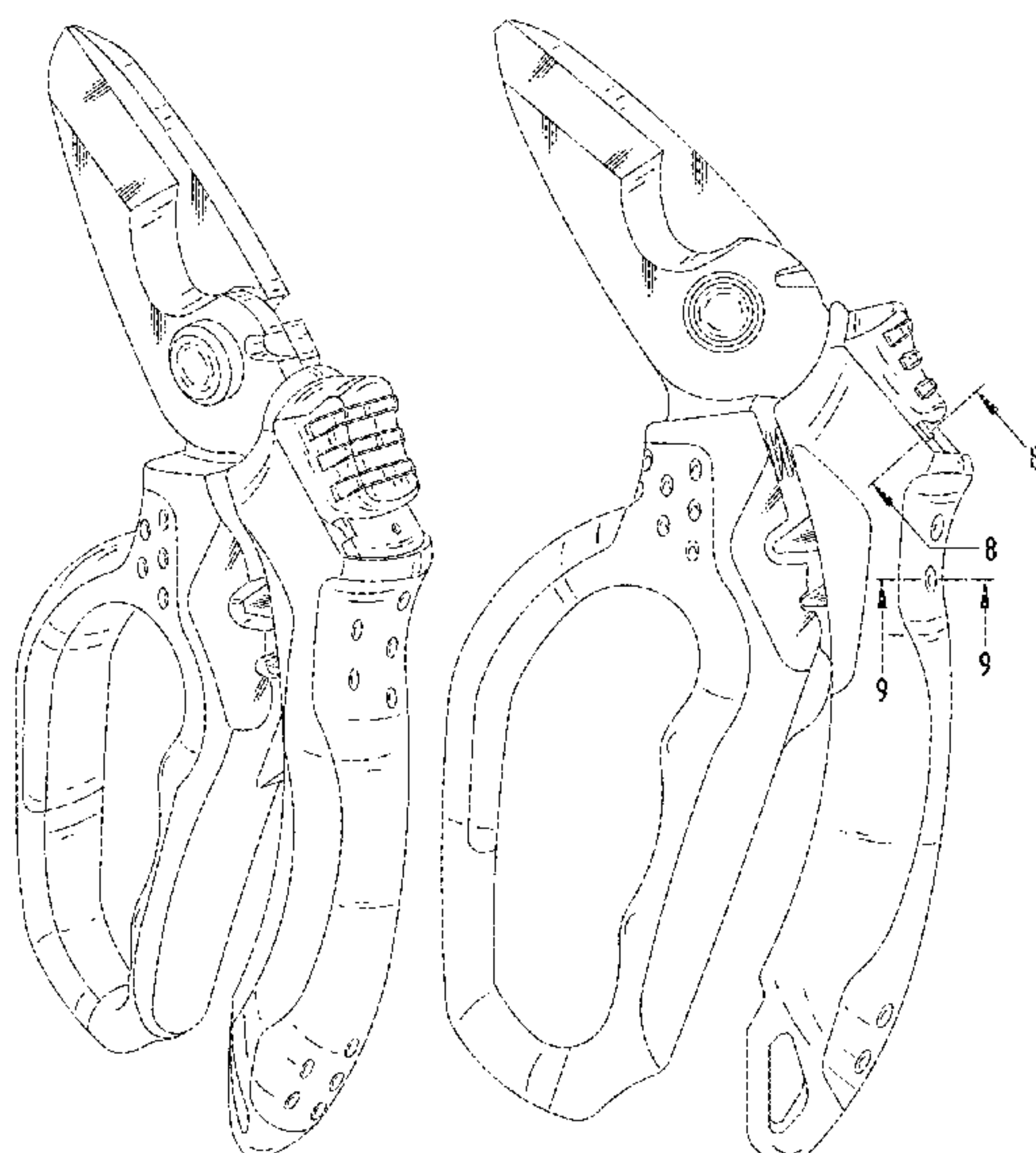
(57) **CLAIM**

The ornamental design for scissors, as shown and described.

DESCRIPTION

FIG. 1 is a front, left side and top perspective view of scissors, showing our new design; FIG. 2 is a left side view thereof; FIG. 3 is a rear view thereof; FIG. 4 is a right side view thereof; FIG. 5 is a front view thereof; FIG. 6 is a top view thereof; and FIG. 7 is a bottom view thereof; FIG. 8 is a cross-sectional view along lines 8-8 of FIG. 2; FIG. 9 is a cross-sectional view along lines 9-9 of FIG. 2; and, FIG. 10 is a cross-sectional view along lines 10-10 of FIG. 4.

1 Claim, 10 Drawing Sheets



(56)

References Cited

U.S. PATENT DOCUMENTS

D640,106 S 6/2011 Molina et al.
 D642,032 S 7/2011 Molina et al.
 D642,035 S * 7/2011 Molina D8/57
 D646,944 S * 10/2011 Bhasin D8/57
 D651,493 S * 1/2012 Bhasin D8/57
 9,216,512 B2 * 12/2015 Kawai B26B 13/20
 D777,003 S 1/2017 Roberts et al.
 D786,037 S * 5/2017 Huesman D8/57
 D786,039 S * 5/2017 Roberts D8/57
 D810,535 S * 2/2018 Liu D8/57
 D936,439 S * 11/2021 Lin D8/52
 D944,613 S * 3/2022 Liu D8/57
 D962,737 S * 9/2022 He D8/57

FOREIGN PATENT DOCUMENTS

EM 000633656-0001 12/2006
 EM 001684812-0001 3/2010

EM 001715202-0001 6/2010
 EM 001243513-0001 11/2010
 EM 003375484-0001 9/2016
 EM 003375484-0002 9/2016
 EM 003375484-0003 9/2016
 EM 003805225-0001 3/2017
 EM 003822329-0001 3/2017
 EM 006643797-0001 7/2019
 EM 006950523-0001 10/2019
 EM 007180229-0001 11/2019
 JP 1367536 7/2009
 TW D126531 12/2008
 TW D127223 S 2/2009
 TW D141933 S1 8/2011
 TW D146748 5/2012
 TW D176299 S 6/2016
 TW D186933 12/2017
 TW D192123 8/2018
 TW D203852 S 4/2020
 TW D207221 S 9/2020

* cited by examiner

FIG. 1

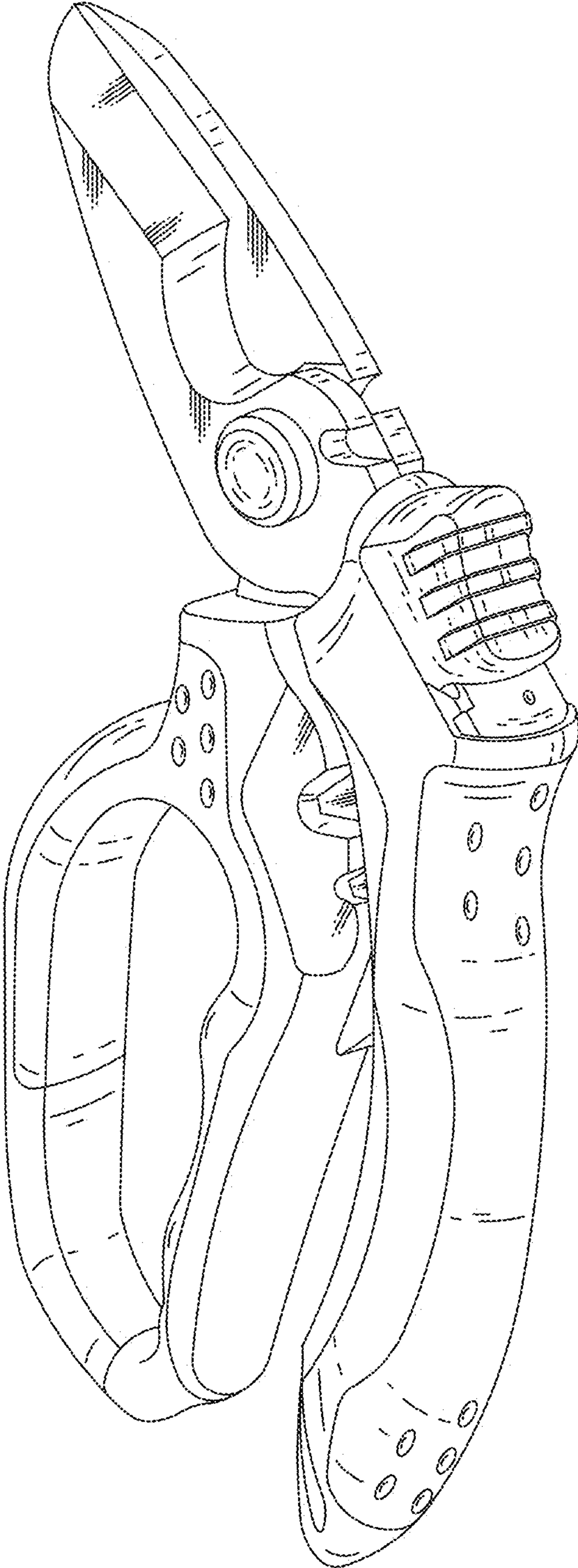


FIG. 2

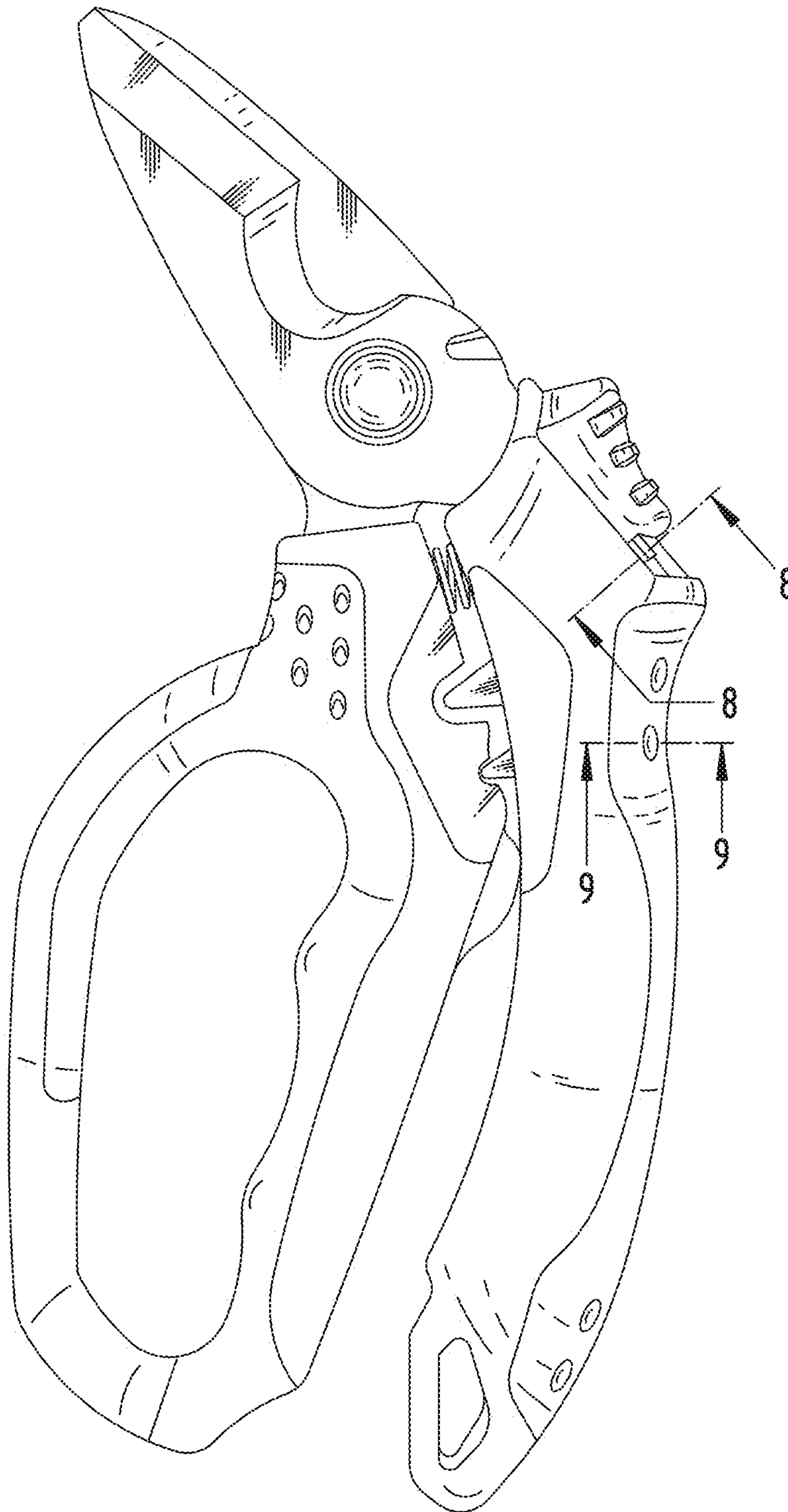


FIG. 3

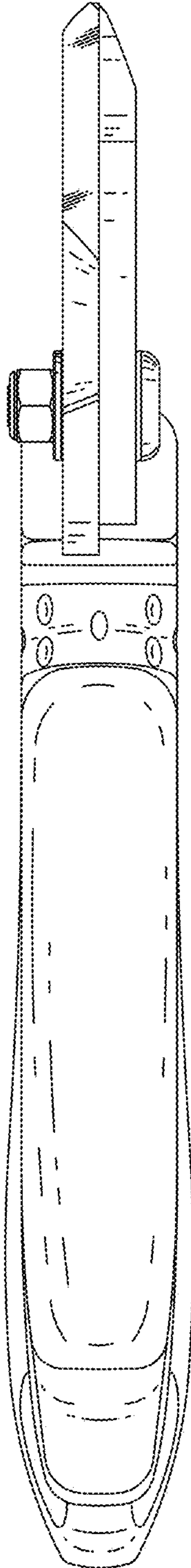


FIG.4

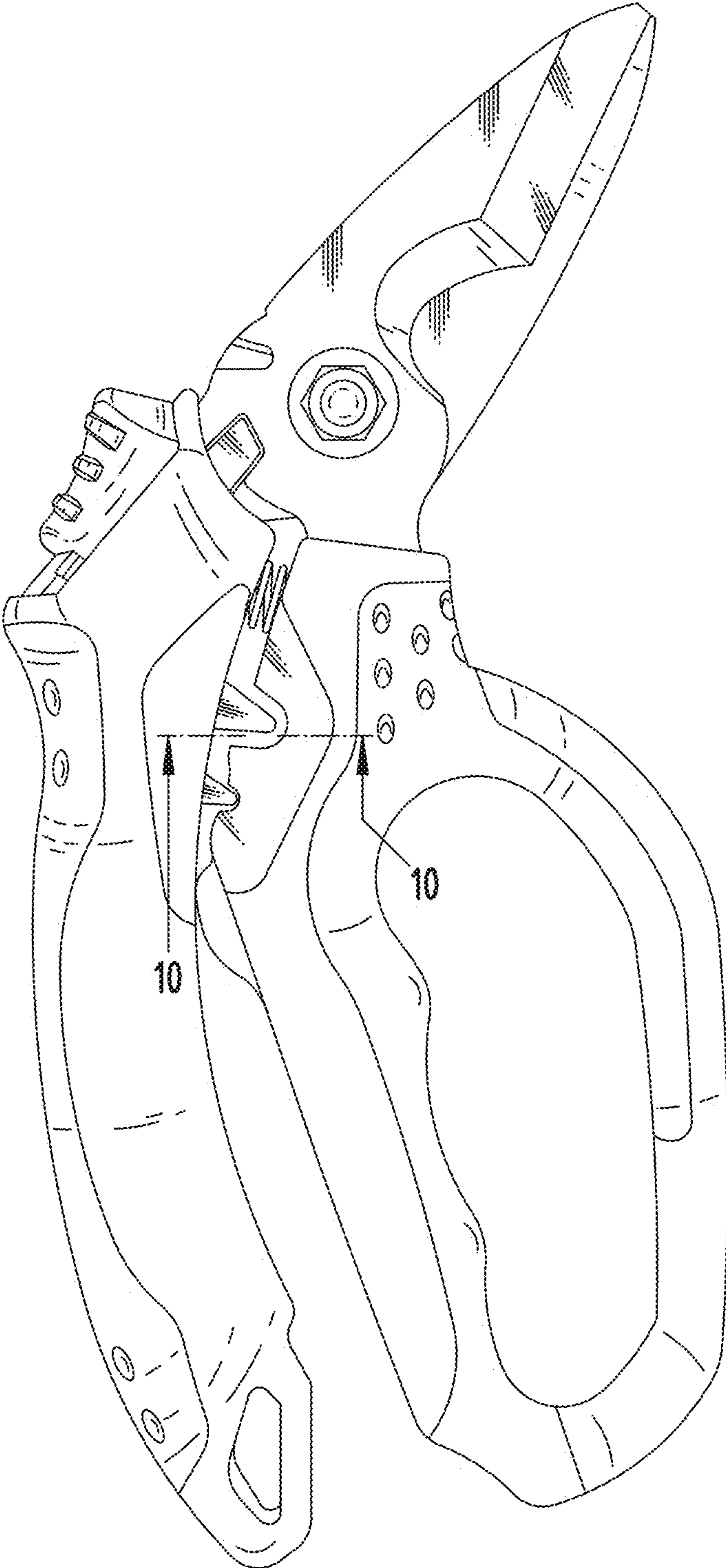


FIG.5

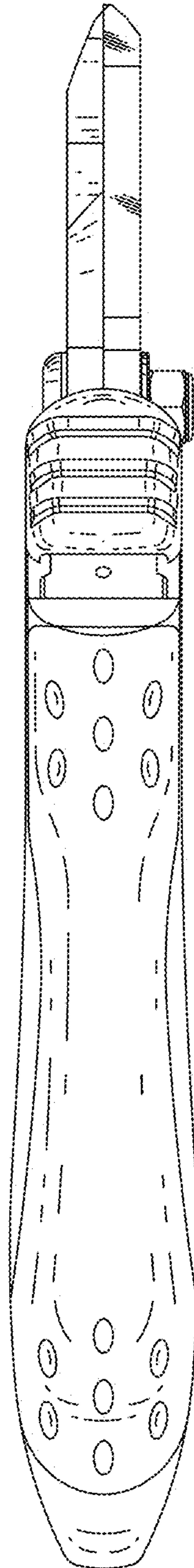


FIG. 6

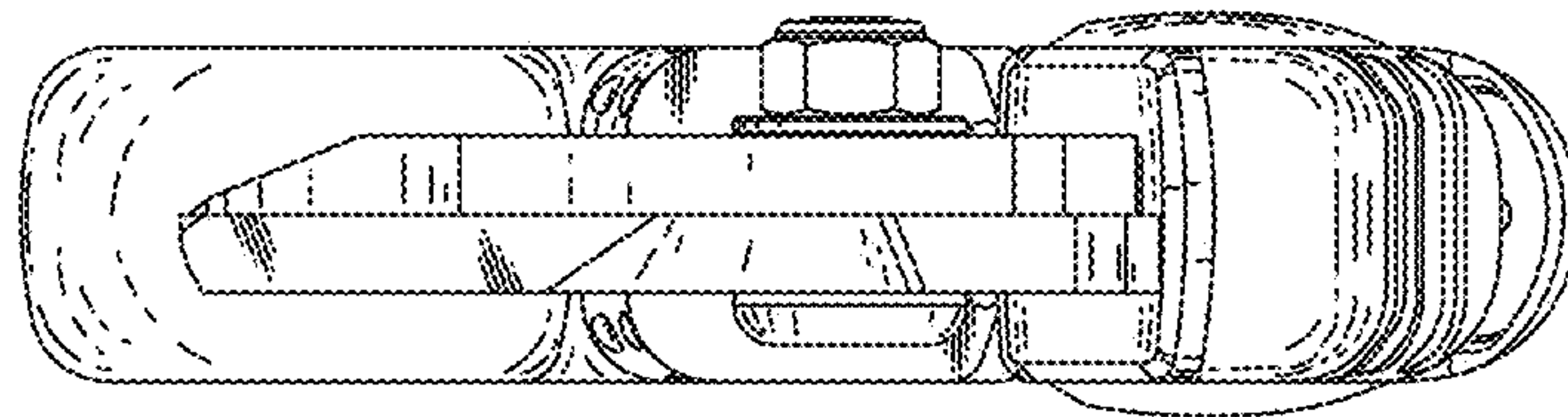


FIG. 7

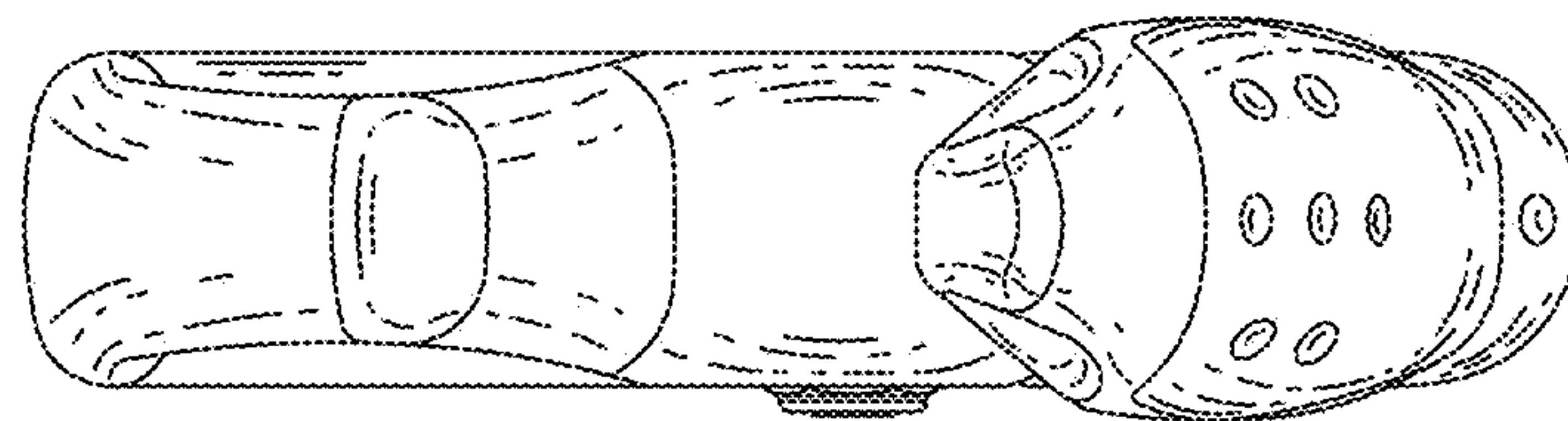


FIG. 8

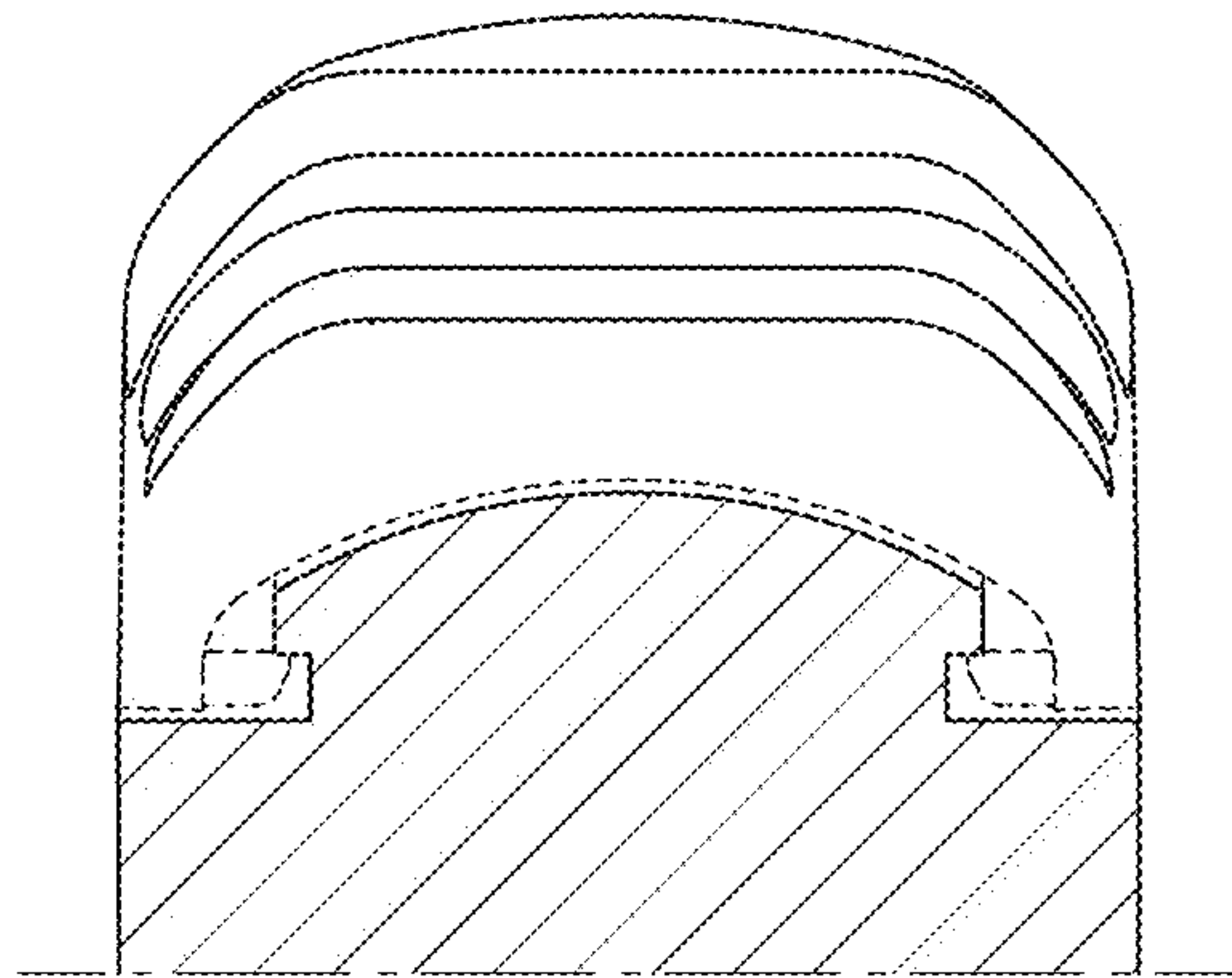


FIG.9

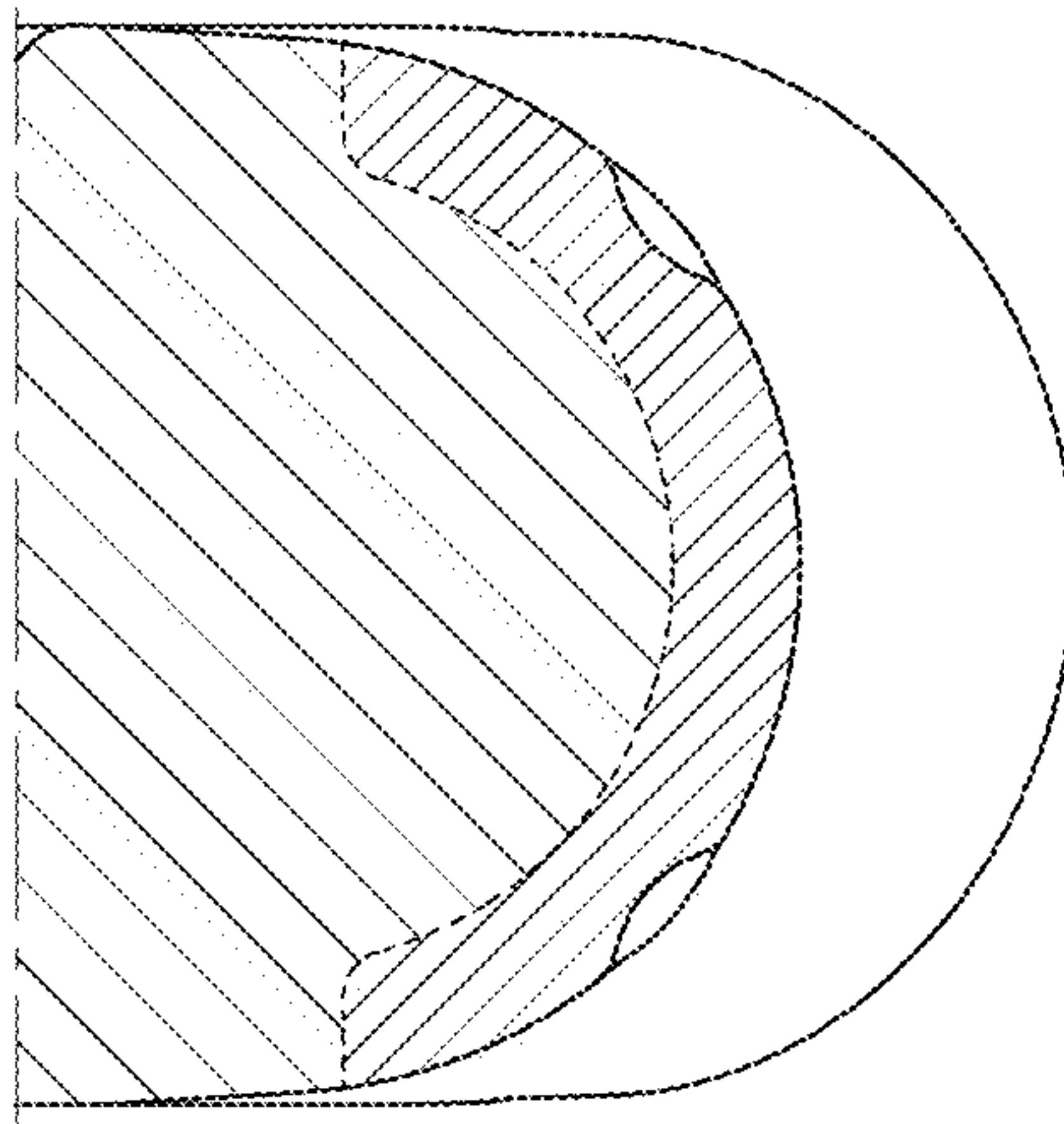


FIG.10

