



US00D985343S

(12) **United States Design Patent**
Hua et al.

(10) **Patent No.:** **US D985,343 S**

(45) **Date of Patent:** **** May 9, 2023**

- (54) **SHOVEL**
- (71) Applicant: **CIXI HUAZHJIE PLASTIC PRODUCT CO., LTD.**, Zhejiang (CN)
- (72) Inventors: **Jie Hua**, Zhejiang (CN); **Shimin Hua**, Zhejiang (CN)
- (73) Assignee: **CIXI HUAZHJIE PLASTIC PRODUCT CO., LTD.**, Zhejiang (CN)

- 5,951,078 A * 9/1999 Whitehead E01H 5/02
294/54.5
- D487,680 S * 3/2004 Sickler D8/10
- 8,757,688 B1 * 6/2014 Hajek B25G 1/06
294/58
- D711,701 S * 8/2014 Hua D8/10
- D711,704 S * 8/2014 Hua D8/10
- D766,053 S * 9/2016 Kunnas D8/10
- 9,491,896 B1 * 11/2016 Hagen A01B 1/026
- D807,132 S * 1/2018 Aguilar D8/10
- D814,255 S * 4/2018 Thuma D8/10
- D847,592 S * 5/2019 Kopp D8/10

(**) Term: **15 Years**

(21) Appl. No.: **29/821,423**

(22) Filed: **Dec. 29, 2021**

(30) **Foreign Application Priority Data**

Nov. 16, 2021 (CN) 202130751983.3

(51) **LOC (14) Cl.** **08-01**

(52) **U.S. Cl.**
USPC **D8/10**

(58) **Field of Classification Search**
USPC D8/7, 10, 11, 13
CPC A01B 1/00; A01B 1/02; A01B 1/22; A01B 1/08; A01B 1/06; A01B 1/12; A01B 1/022; A01B 1/16; A01B 1/14; A01B 1/026; A01B 15/02; B25G 1/00; B25G 1/01; B25G 1/04; B25G 1/102; E01H 5/00; E01H 5/02; Y10T 16/4713; Y10T 16/476; Y10T 16/473
See application file for complete search history.

(56) **References Cited**

U.S. PATENT DOCUMENTS

- 2,047,485 A * 7/1936 McBrady A01B 1/022
403/108
- D284,732 S * 7/1986 Hozumi D8/10
- D393,990 S * 5/1998 Whitehead D8/10
- D397,005 S * 8/1998 Whitehead D8/10

FOREIGN PATENT DOCUMENTS

- CN 307485108 * 8/2022
- WO WOD082827-001 * 2/2014

Primary Examiner — Sheryl Lane
Assistant Examiner — Ieisha N Price
(74) *Attorney, Agent, or Firm* — JCIPRNET

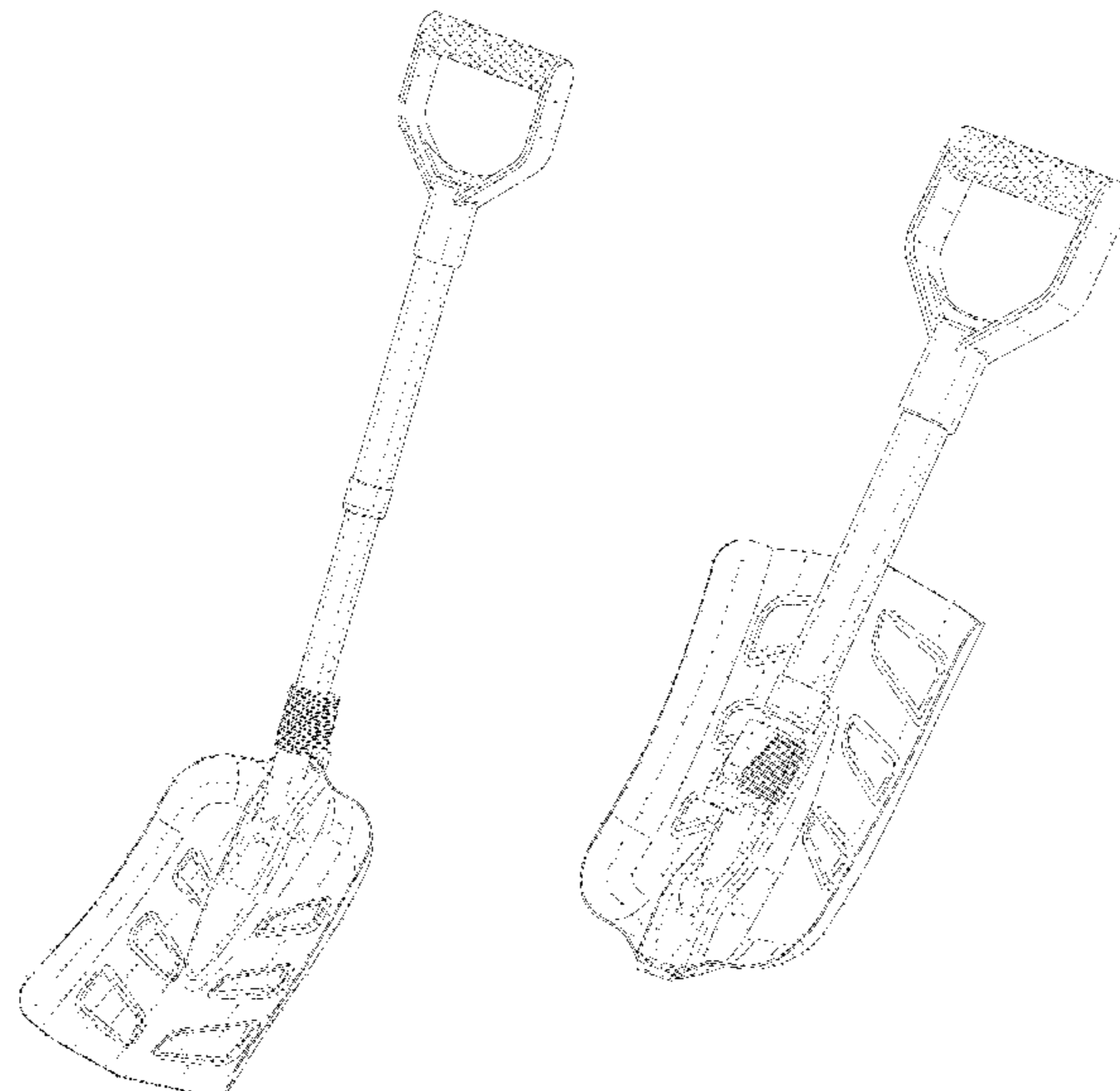
(57) **CLAIM**

The ornamental design for a shovel, as shown and described.

DESCRIPTION

FIG. 1 is a perspective view of a shovel showing our new design;
FIG. 2 is a front view thereof;
FIG. 3 is a rear view thereof;
FIG. 4 is a left side view thereof;
FIG. 5 is a right side view thereof;
FIG. 6 is an enlarged top view thereof;
FIG. 7 is an enlarged bottom view thereof; and
FIG. 8 is a perspective view thereof, showing the shovel in its contracted state; and,
FIG. 9 is a perspective view thereof, showing the shovel in its contracted and folded state.
The broken lines in the drawings illustrate portions of the shovel and form no part of the claimed design.

1 Claim, 8 Drawing Sheets



(56)

References Cited

U.S. PATENT DOCUMENTS

D862,182 S * 10/2019 Hua D8/10
D863,902 S * 10/2019 Hua D8/10
D875,485 S * 2/2020 Nieters D8/10
D947,627 S * 4/2022 Wang D8/10
D960,671 S * 8/2022 Waxman D8/10
D963,440 S * 9/2022 Phillips D8/10
D970,322 S * 11/2022 Chen D8/10
D972,379 S * 12/2022 Tang D8/10
2007/0108782 A1 * 5/2007 Walker A01B 1/022
294/51
2014/0191521 A1 * 7/2014 Cantu B28C 5/44
294/57
2014/0338231 A1 * 11/2014 Hung E01H 5/02
37/265
2015/0123413 A1 * 5/2015 Spataro E01H 5/02
294/54.5
2021/0243932 A1 * 8/2021 Hua A01B 1/02

* cited by examiner

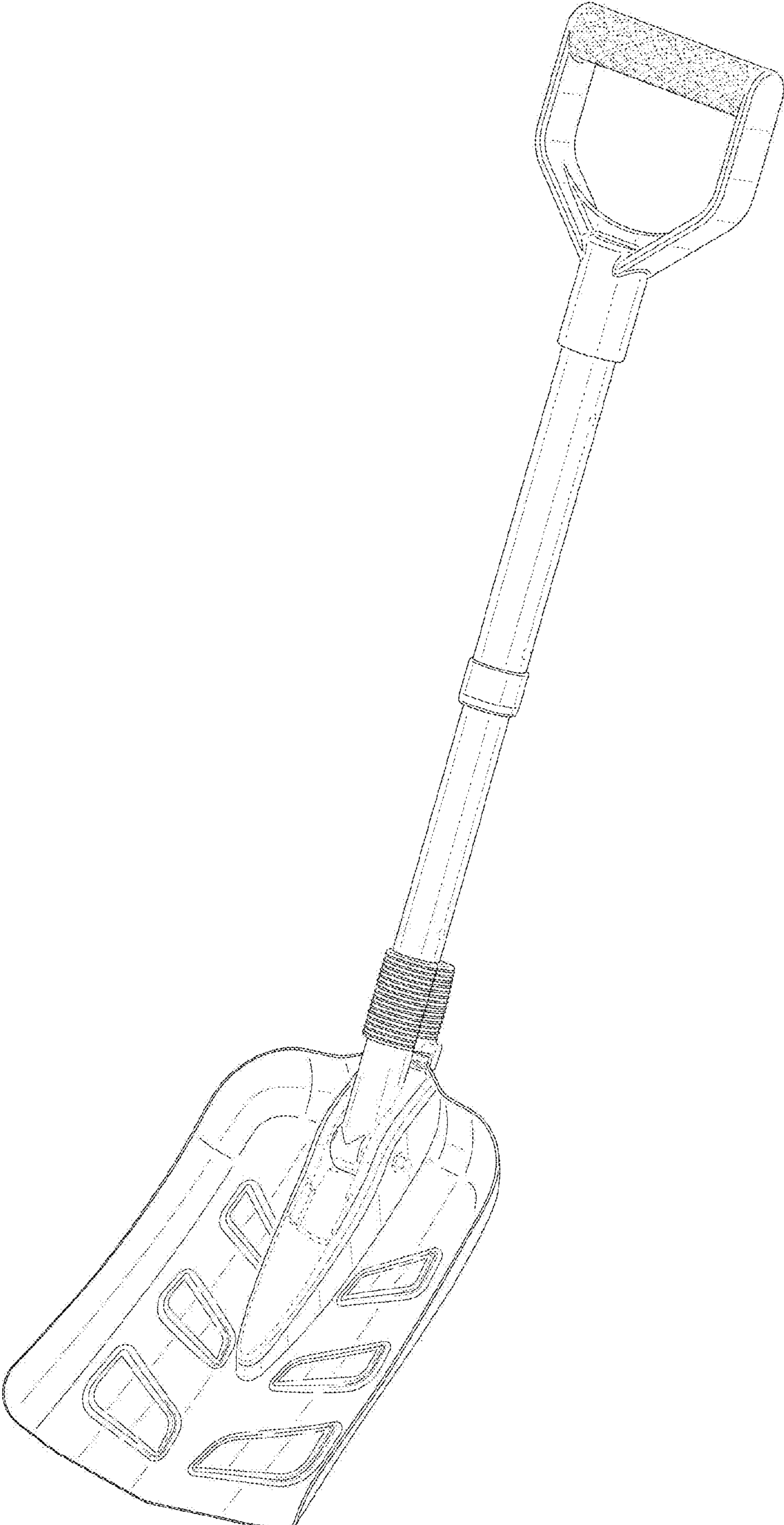


FIG. 1

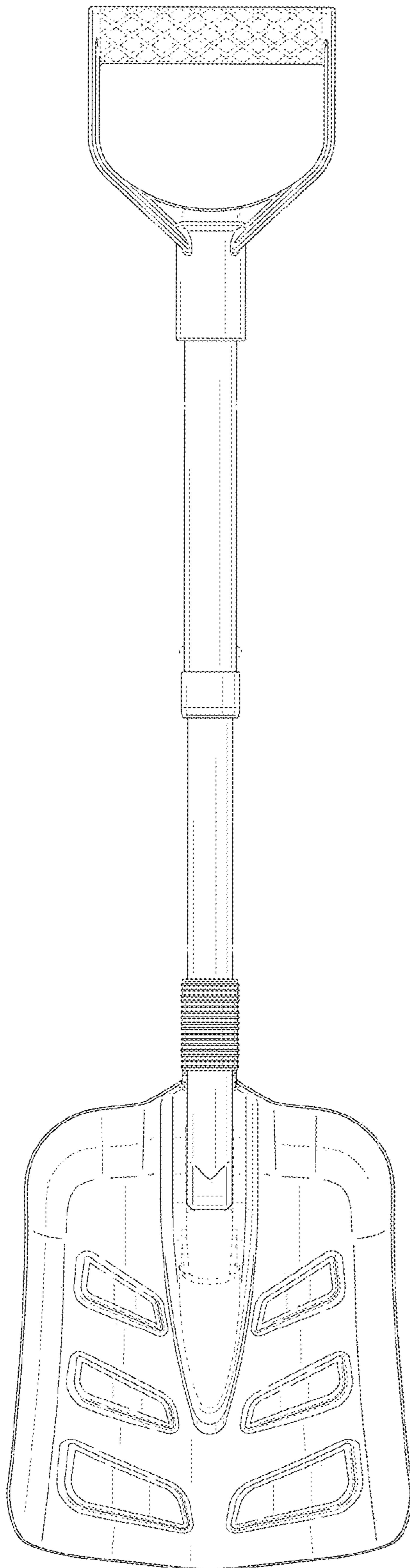


FIG. 2

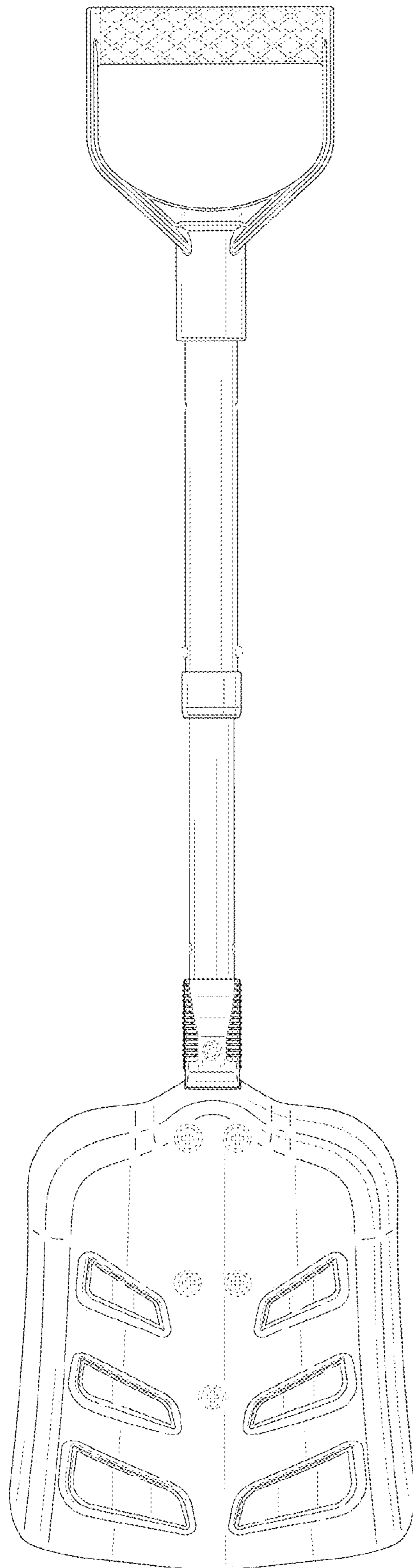


FIG. 3

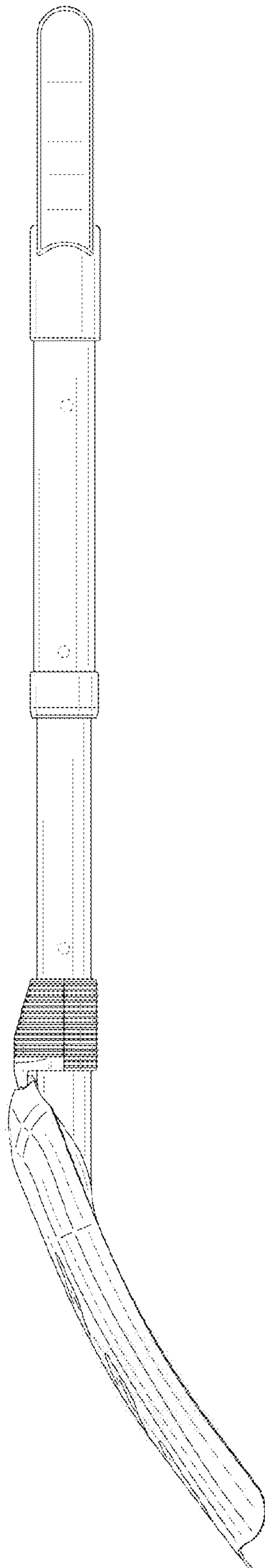


FIG. 4

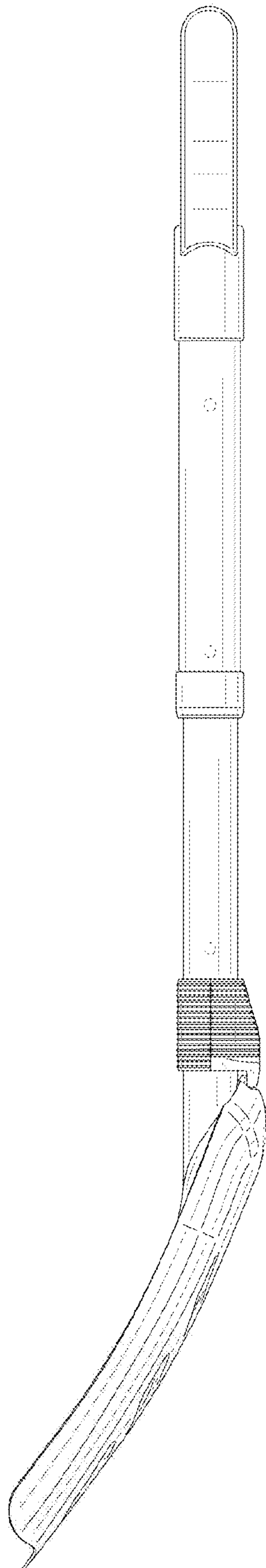


FIG. 5

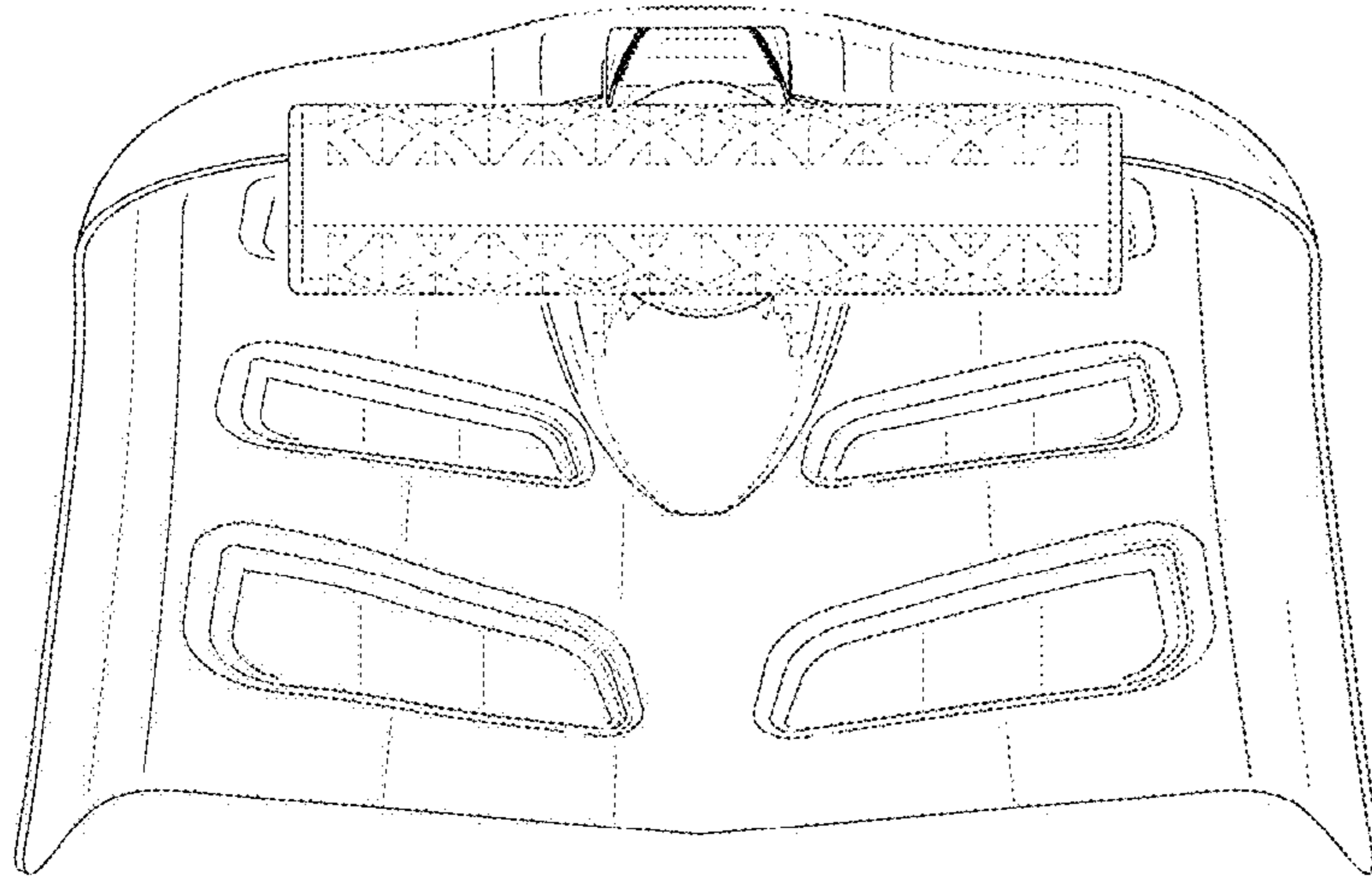


FIG. 6

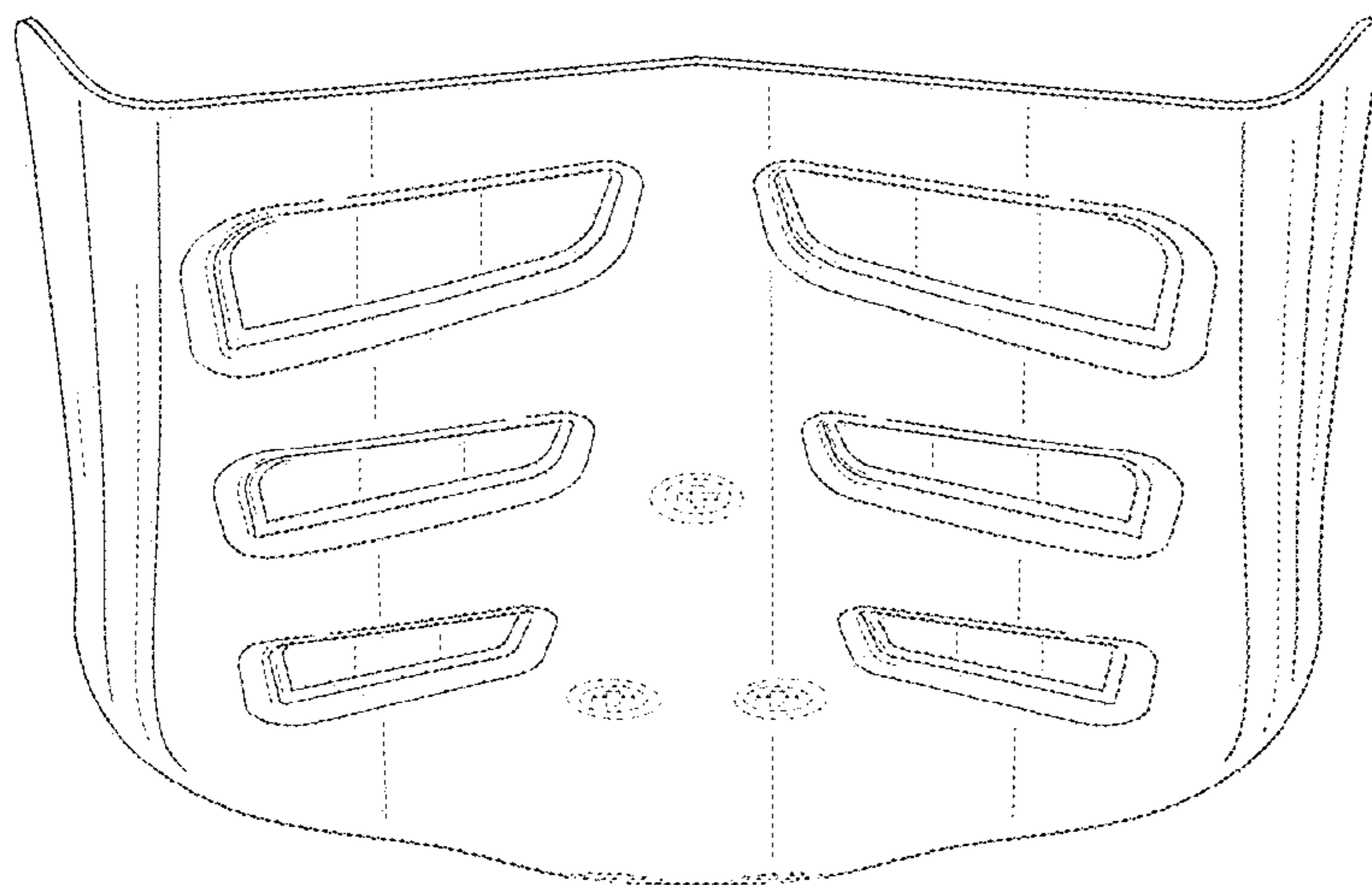


FIG. 7

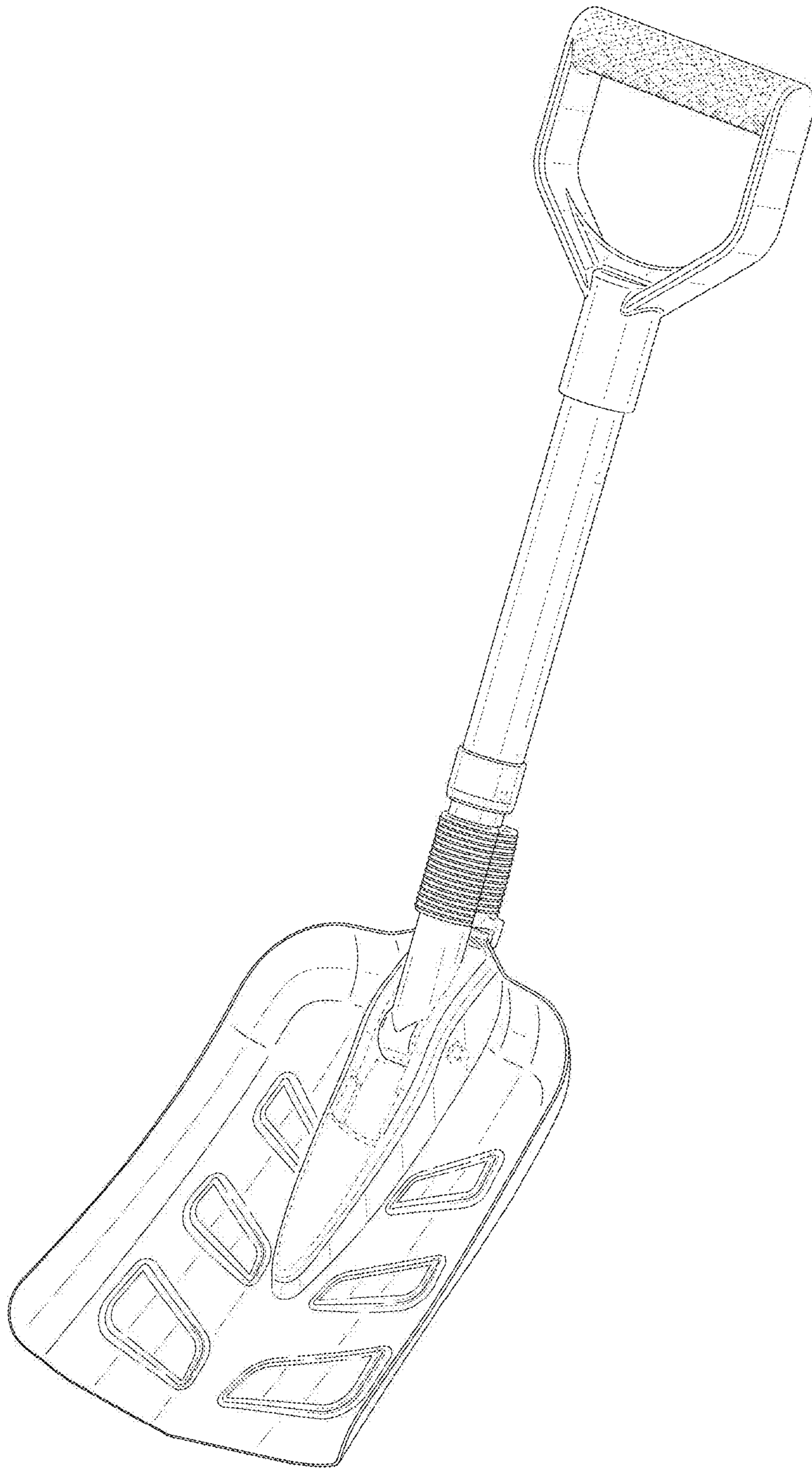


FIG. 8

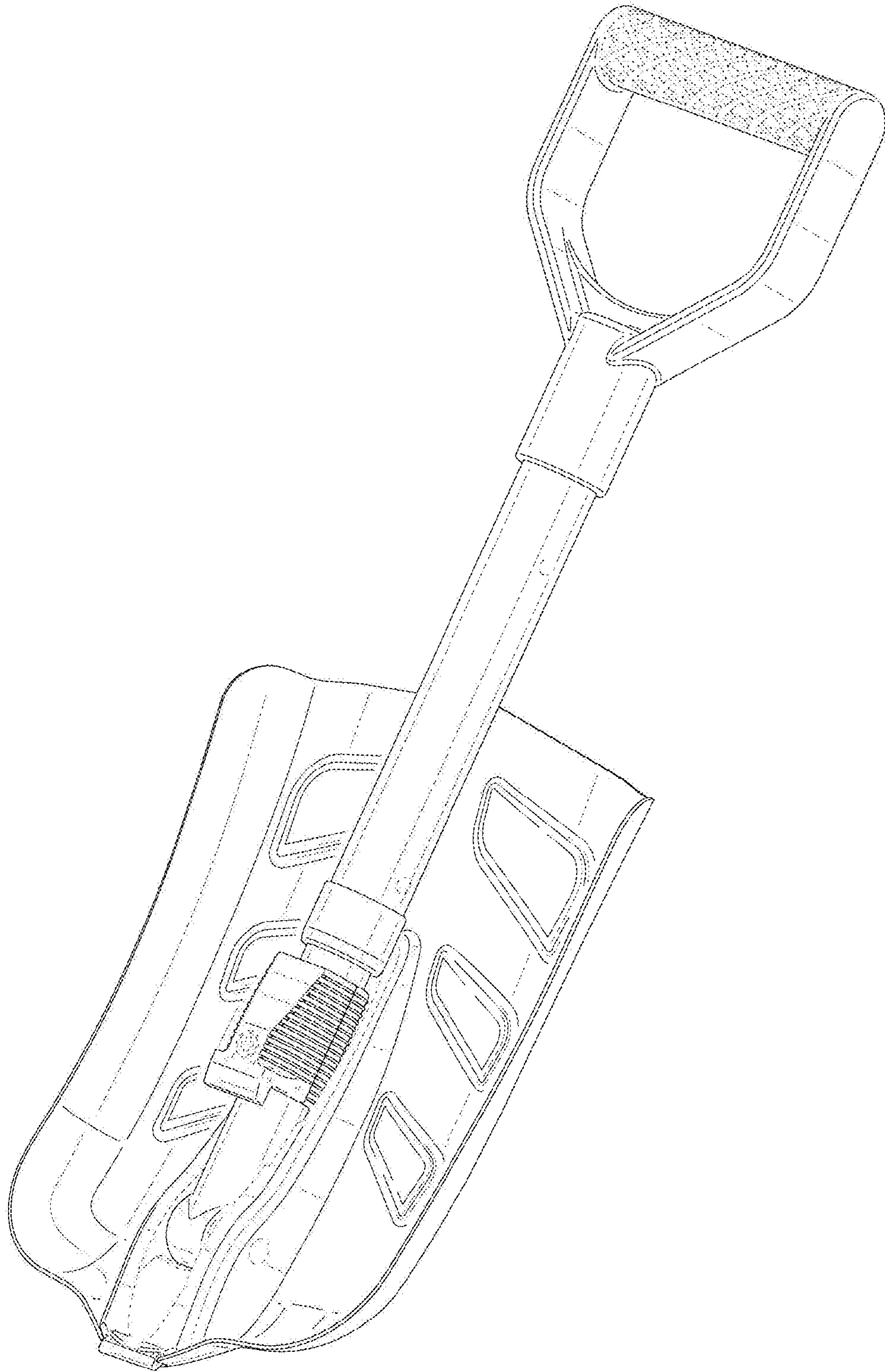


FIG. 9