



US00D985342S

(12) **United States Design Patent**
Peralta

(10) **Patent No.:** **US D985,342 S**
(45) **Date of Patent:** **** May 9, 2023**

(54) **CONTAINER FOR FOOD**

FOREIGN PATENT DOCUMENTS

(71) Applicant: **Bear Down Brands, LLC**, Santa Ana, CA (US)

WO WO-0021849 A1 * 4/2000 B65D 43/162

(72) Inventor: **Samantha Peralta**, Santa Ana, CA (US)

OTHER PUBLICATIONS

Amazon.com, EasyLunchBoxes, Oval Lunch boxes REusable 4 Compartment Food Containers, ASIN: B097CM93WX, 14 pages, date first available Aug. 13, 2021 (Year: 2021).*

(73) Assignee: **Bear Down Brands, LLC**, Santa Ana, CA (US)

* cited by examiner

(**) Term: **15 Years**

Primary Examiner — Terry A Wallace

(21) Appl. No.: **29/802,951**

(74) *Attorney, Agent, or Firm* — Gloria Tsui-Yip; Gottlieb, Rackman & Reisman, P.C.

(22) Filed: **Aug. 9, 2021**

(51) **LOC (14) Cl.** **07-07**

(52) **U.S. Cl.**
USPC **D7/629; D7/703**

(58) **Field of Classification Search**
USPC D7/701–709, 629, 630; D9/424–432, D9/737, 761
CPC .. B65D 21/00; B65D 21/0233; B65D 21/086; B65D 1/36; B65D 1/34; B65D 1/24; B65D 43/00; B65D 43/0214; B65D 43/0222; B65D 43/162; B65D 43/22; B65D 77/046; B65D 81/3294; B65D 81/3818; B65D 25/08; A47J 47/14; A45C 11/20

See application file for complete search history.

(57) **CLAIM**

The ornamental design for a container for food, as shown and described.

DESCRIPTION

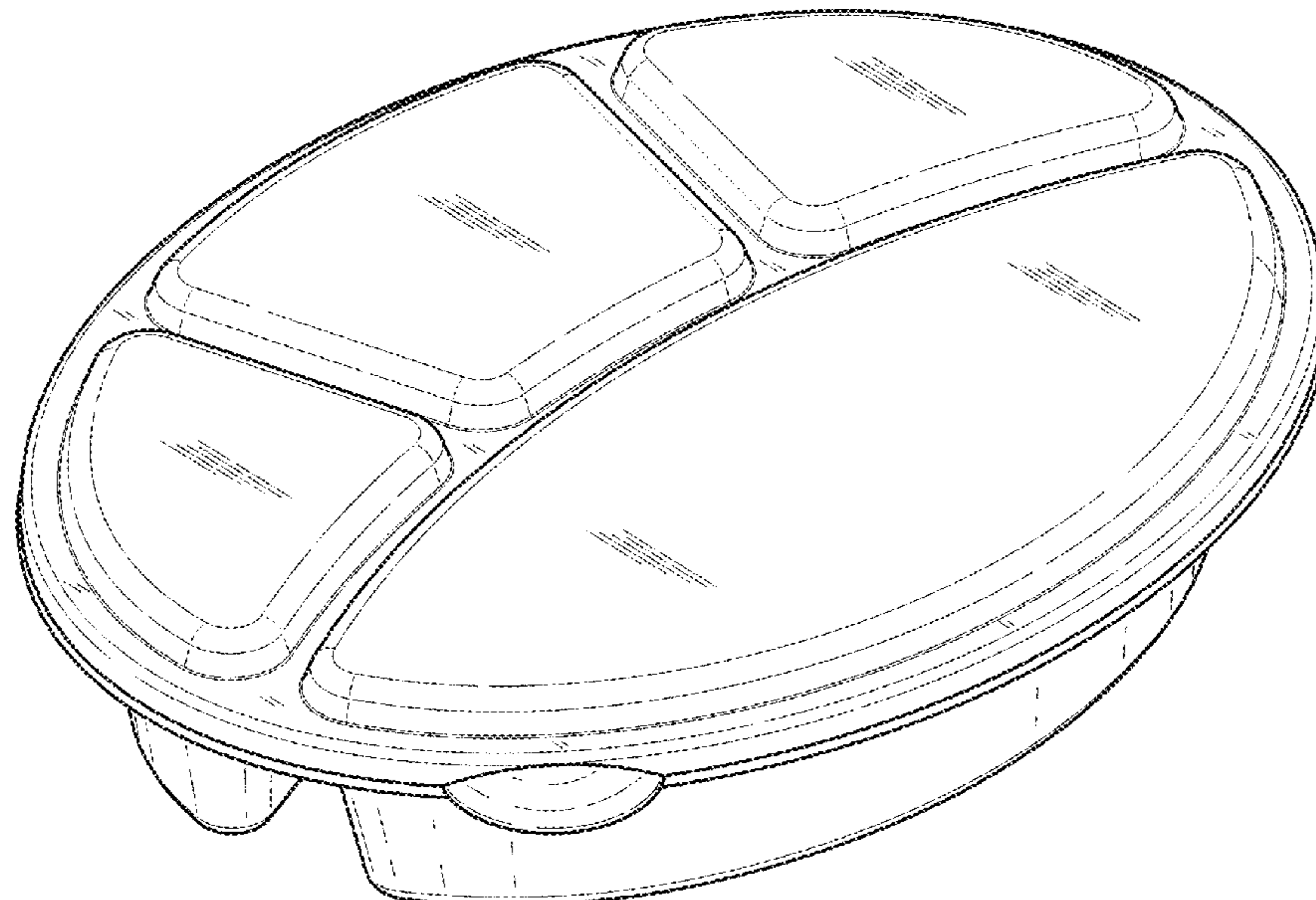
FIG. 1 is a top plan view of a container for food showing my new design;
FIG. 2 is a front elevational view thereof;
FIG. 3 is a rear elevational view thereof;
FIG. 4 is a left side elevational view thereof;
FIG. 5 is a right side elevational view thereof;
FIG. 6 is a bottom plan view thereof;
FIG. 7 is a top, left, and front perspective view thereof;
FIG. 8 is a bottom, left, and front perspective view thereof;
and,
FIG. 9 is an exploded, perspective, view of FIG. 7 showing the container for food of my new design in an open configuration.

(56) **References Cited**

U.S. PATENT DOCUMENTS

D451,018 S	*	11/2001	Chen	D9/425
D489,579 S	*	5/2004	Wright	D7/629
D552,487 S	*	10/2007	Chou	D9/761
D665,675 S	*	8/2012	Wu	D9/761
D830,796 S	*	10/2018	Chen	D7/703
2002/0108955 A1	*	8/2002	Erb	B65D 77/2024 220/359.4

1 Claim, 7 Drawing Sheets



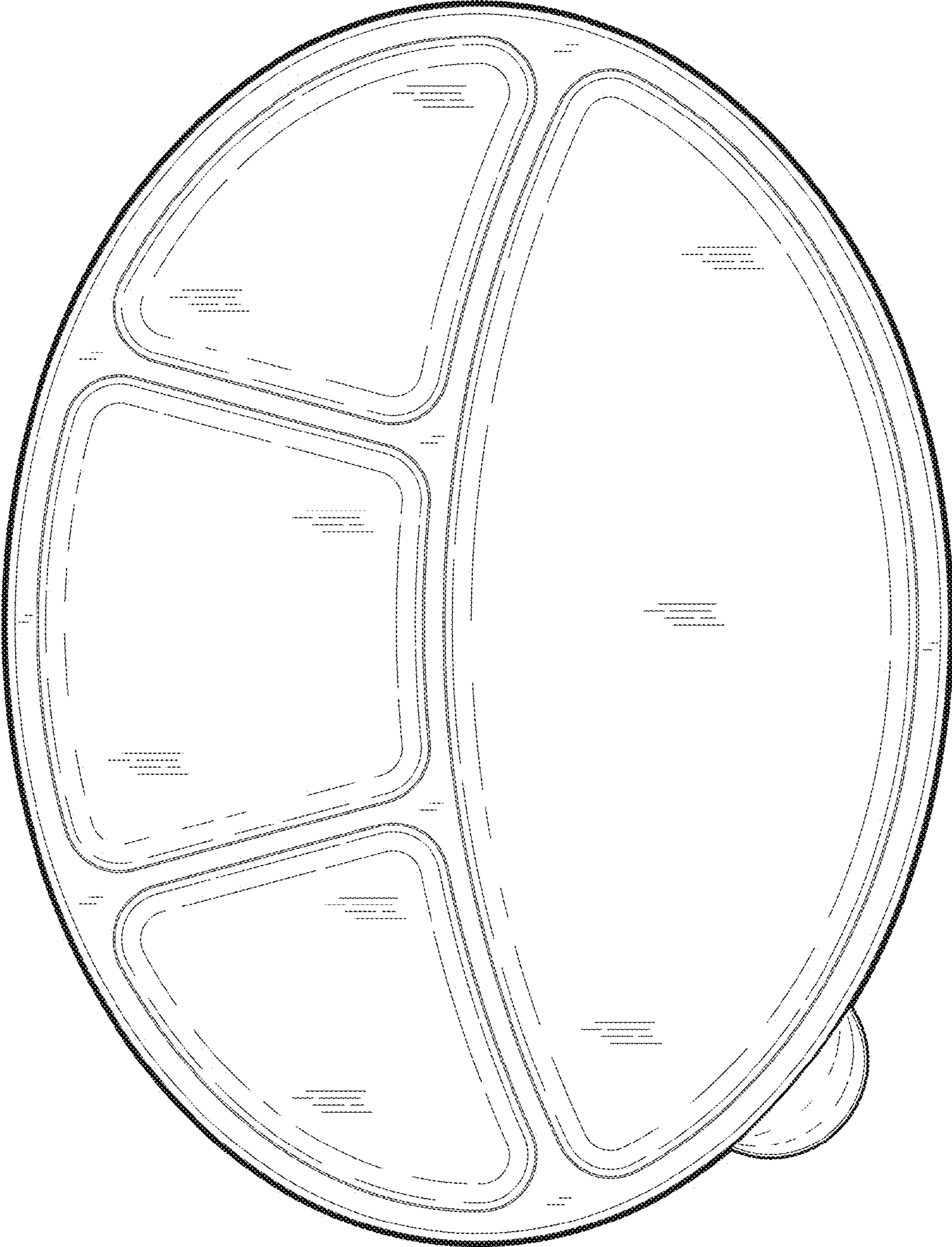


FIG.1

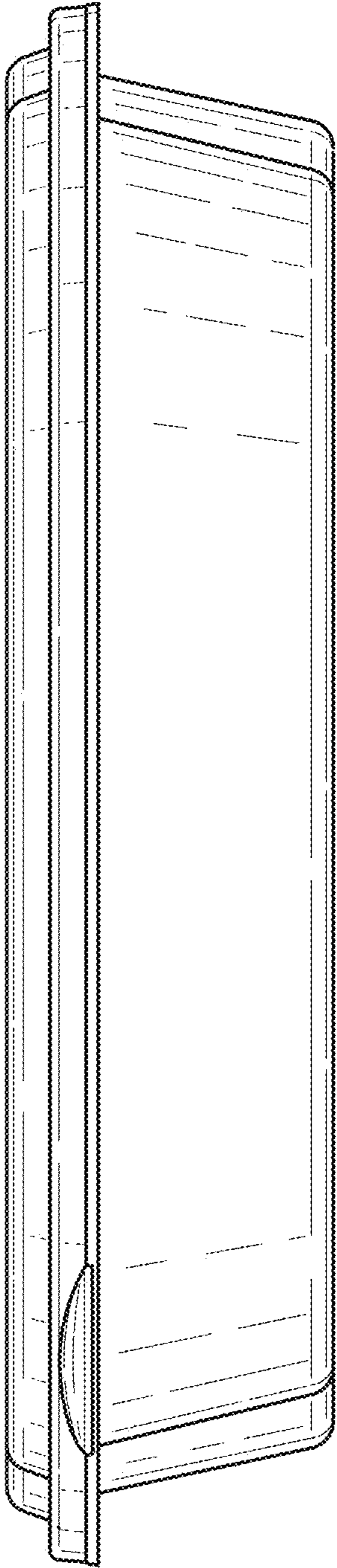


FIG. 2

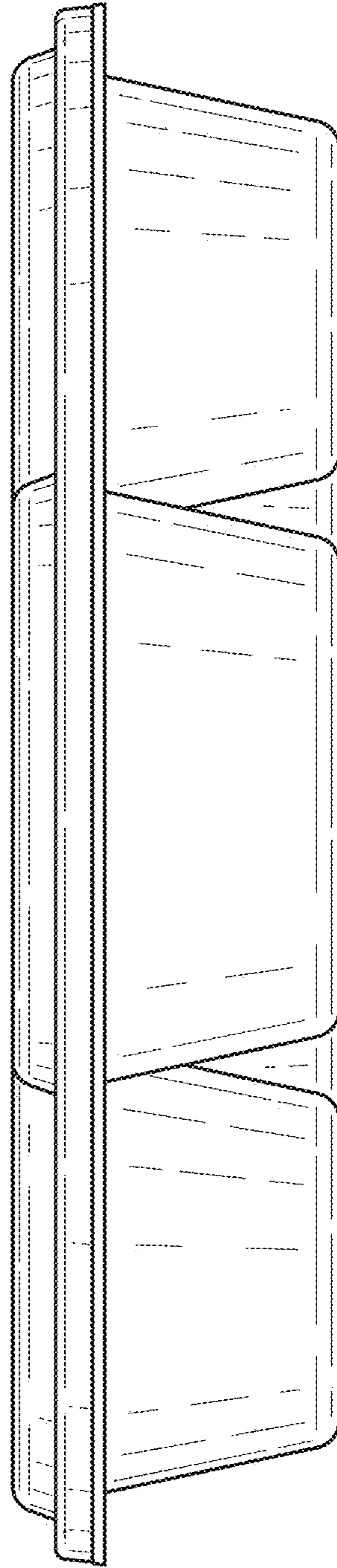


FIG. 3

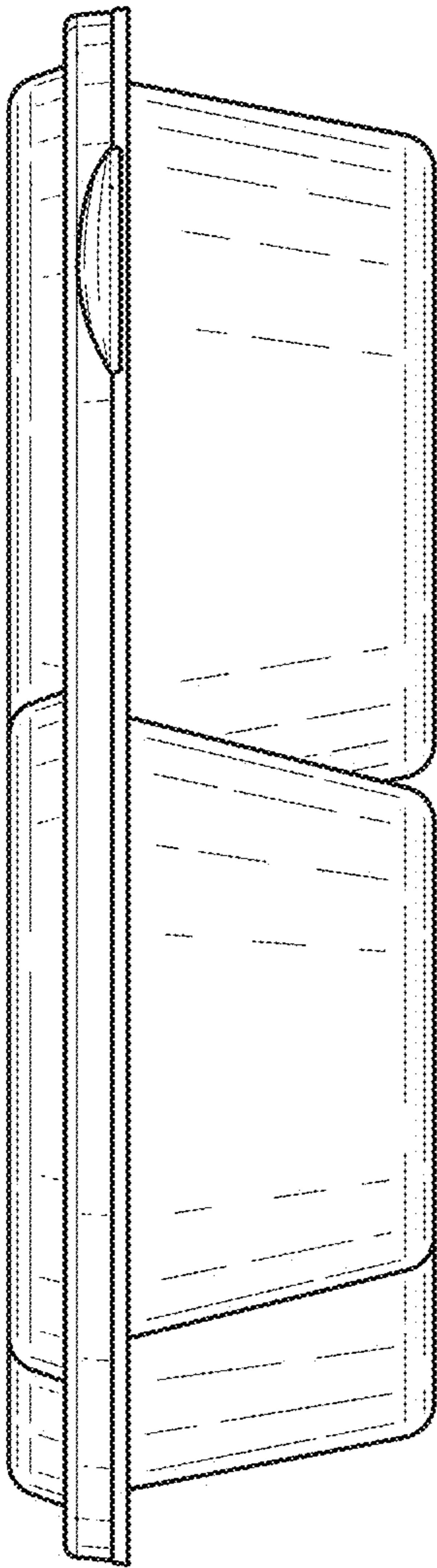


FIG. 4

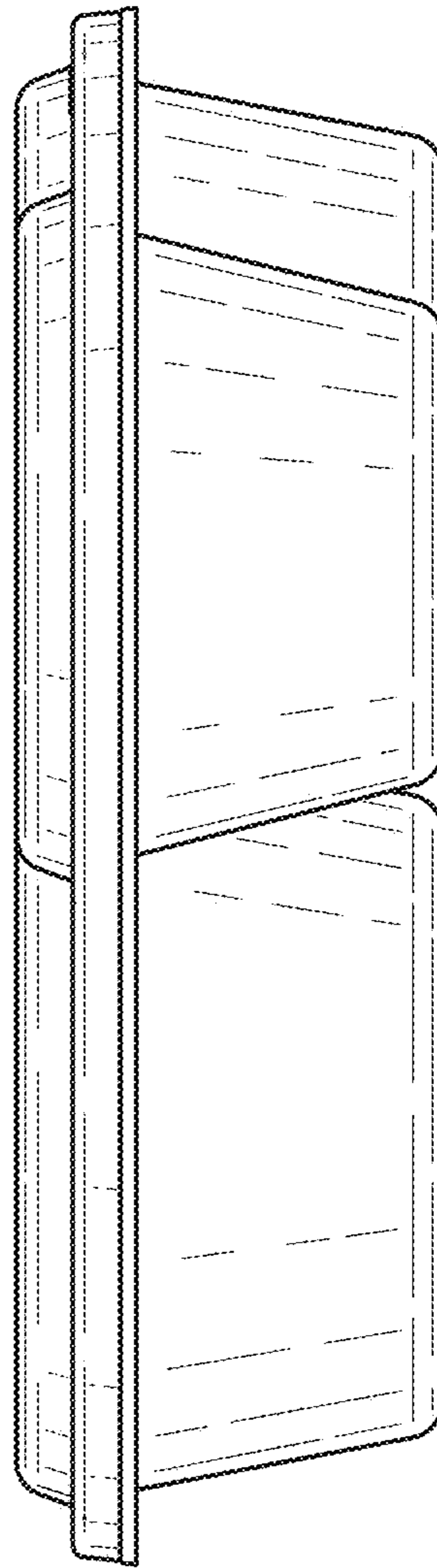


FIG. 5

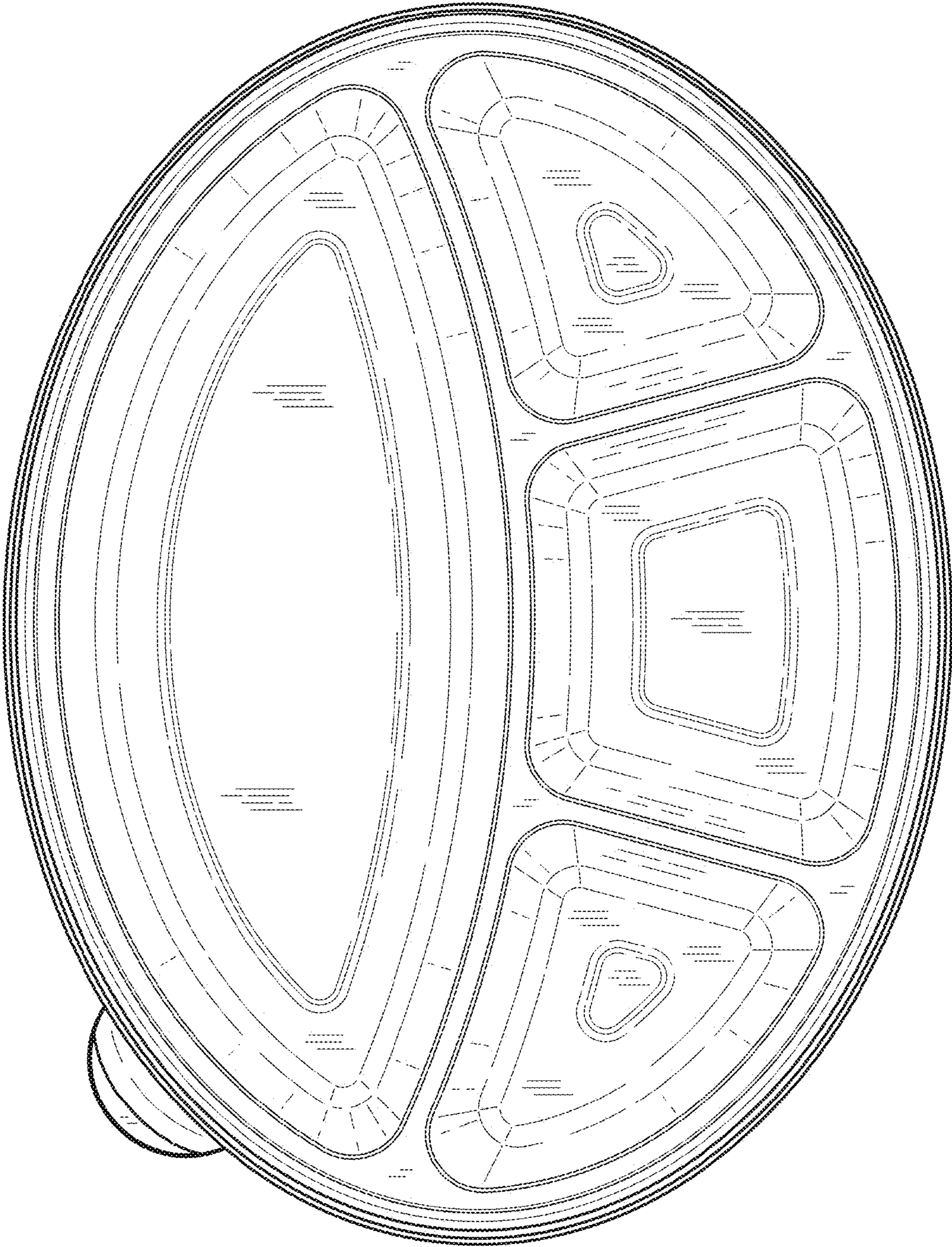


FIG.6

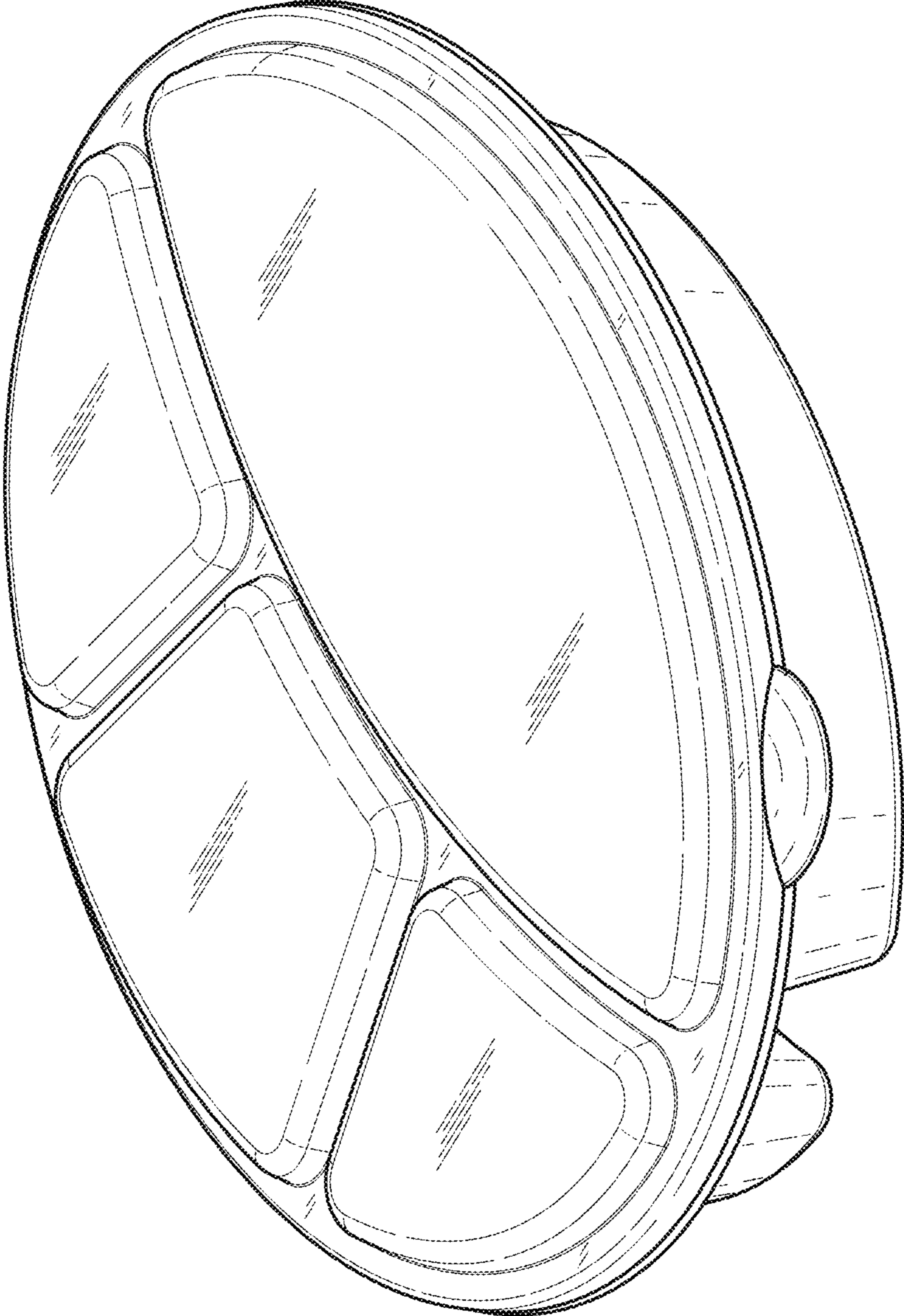


FIG.7

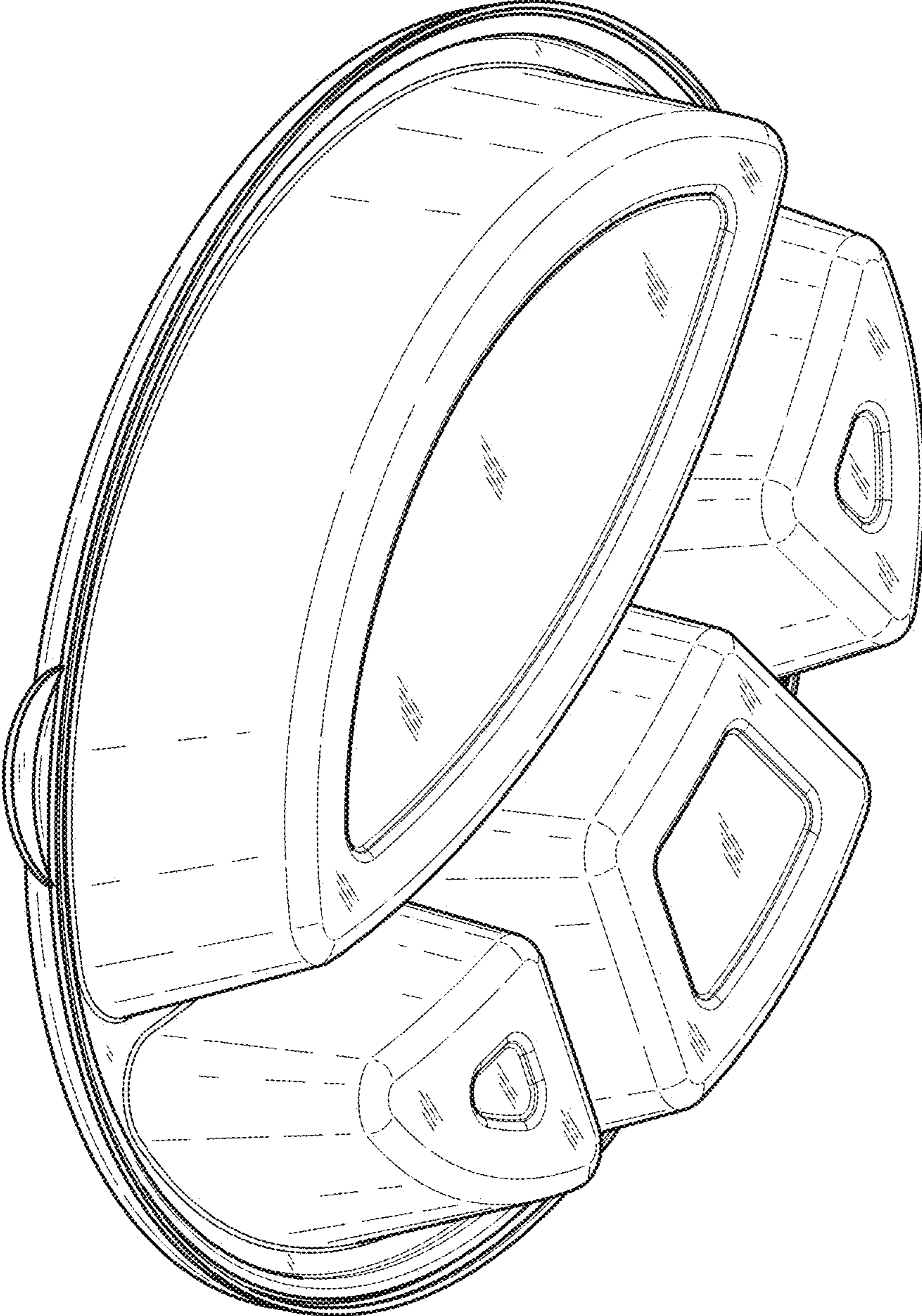


FIG.8

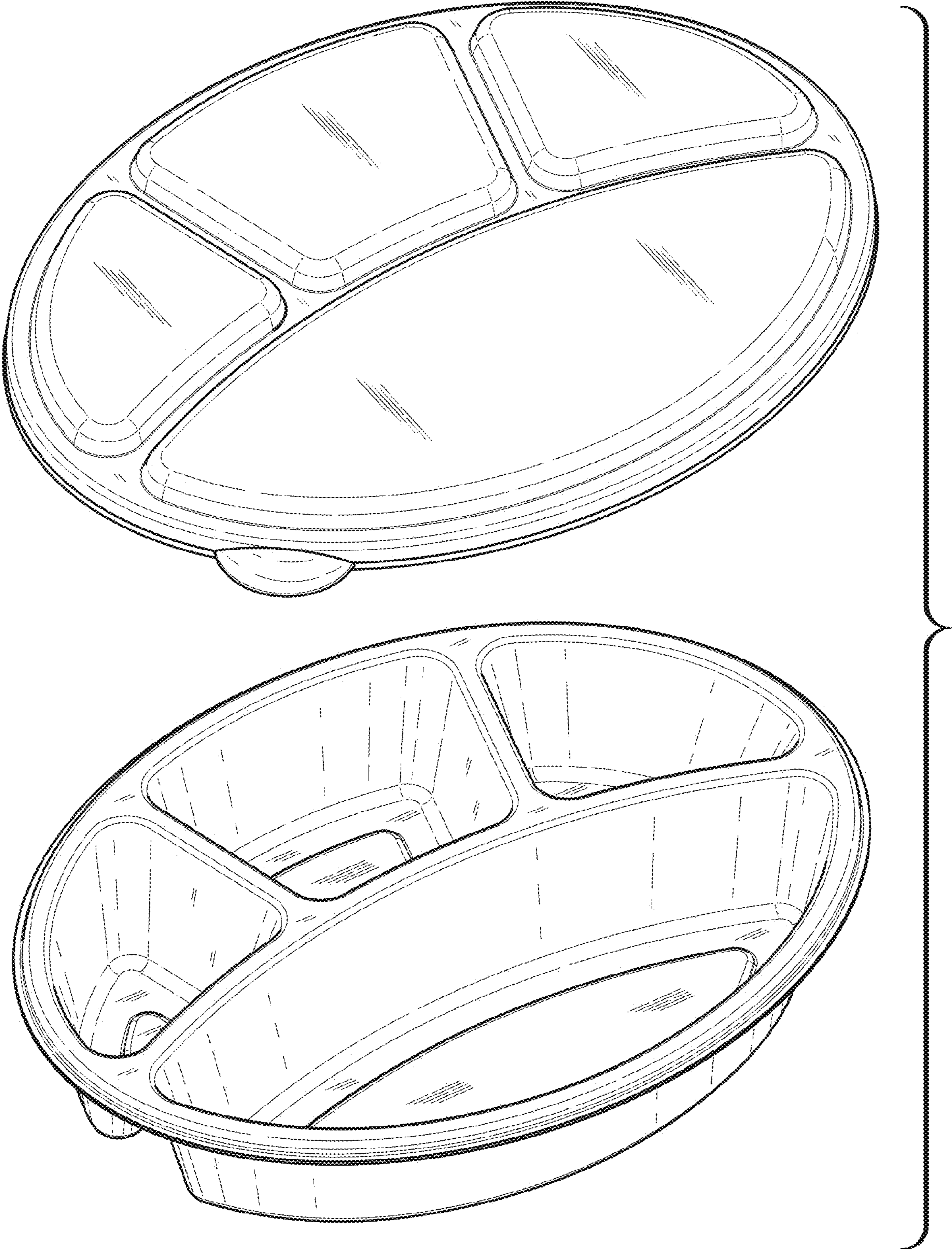


FIG.9