



US00D985341S

(12) **United States Design Patent**
Chitayat et al.

(10) **Patent No.:** **US D985,341 S**

(45) **Date of Patent:** **** May 9, 2023**

(54) **VEGETABLE PEELER**

(71) Applicant: **FC Brands LLC**, New York, NY (US)

(72) Inventors: **David Chitayat**, Shanghai (CN); **Tal Chitayat**, New York, NY (US);
Heather Kauffman, Larchmont, NY (US); **Pieter Schouten**, Berkeley, CA (US)

(73) Assignee: **FC Brands LLC**, New York, NY (US)

(**) Term: **15 Years**

(21) Appl. No.: **29/782,217**

(22) Filed: **May 5, 2021**

(51) **LOC (14) Cl.** **07-04**

(52) **U.S. Cl.**
USPC **D7/695**

(58) **Field of Classification Search**
USPC D7/368, 669, 680–696, 393, 395
CPC .. A47J 17/02; A47J 17/00; A47J 17/04; A47J 17/08; A47J 17/10; A47J 43/00; B26B 27/002
See application file for complete search history.

(56) **References Cited**

U.S. PATENT DOCUMENTS

D332,034 S * 12/1992 Viemeister D7/695
D488,683 S * 4/2004 Overthun D7/695

D576,847 S * 9/2008 Pan D7/695
8,584,581 B2 * 11/2013 Curtin A47J 17/02 30/40
D766,680 S * 9/2016 Hartshorn D7/695

OTHER PUBLICATIONS

Amazon.com, New Model 1501 CUTCO Vegetable Peeler, ASIN: B00EFPWUY0, 9 pages, date first available Apr. 26, 2009 (Year: 2009).
Pending Design U.S. Appl. No. 29/726,435, filed Mar. 3, 2020.

* cited by examiner

Primary Examiner — Terry A Wallace

(74) *Attorney, Agent, or Firm* — Pierce Atwood LLP

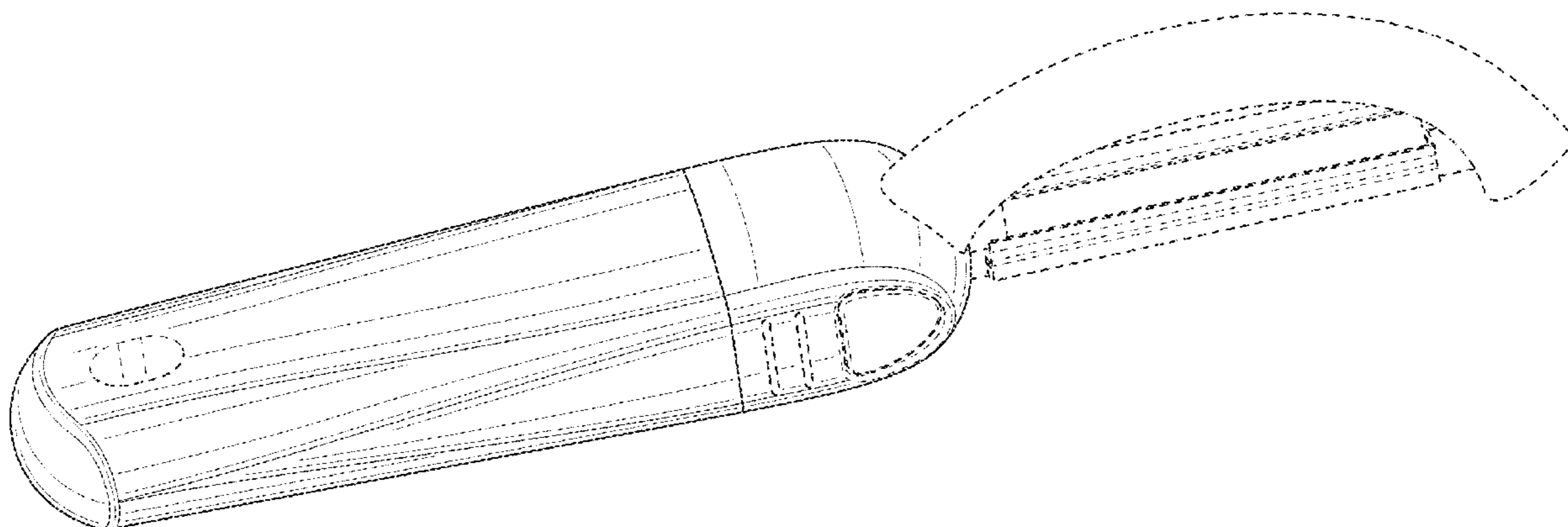
(57) **CLAIM**

The ornamental design for a vegetable peeler, as shown and described.

DESCRIPTION

FIG. 1 is a front perspective view of a vegetable peeler showing our new design;
FIG. 2 is a front elevation view thereof;
FIG. 3 is a rear elevation view thereof;
FIG. 4 is a right side elevation view thereof;
FIG. 5 is a left side elevation view thereof;
FIG. 6 is the top plan view thereof; and,
FIG. 7 is the bottom plan view thereof.
The broken lines depict portions of the vegetable peeler that form no part of the claimed design.

1 Claim, 6 Drawing Sheets



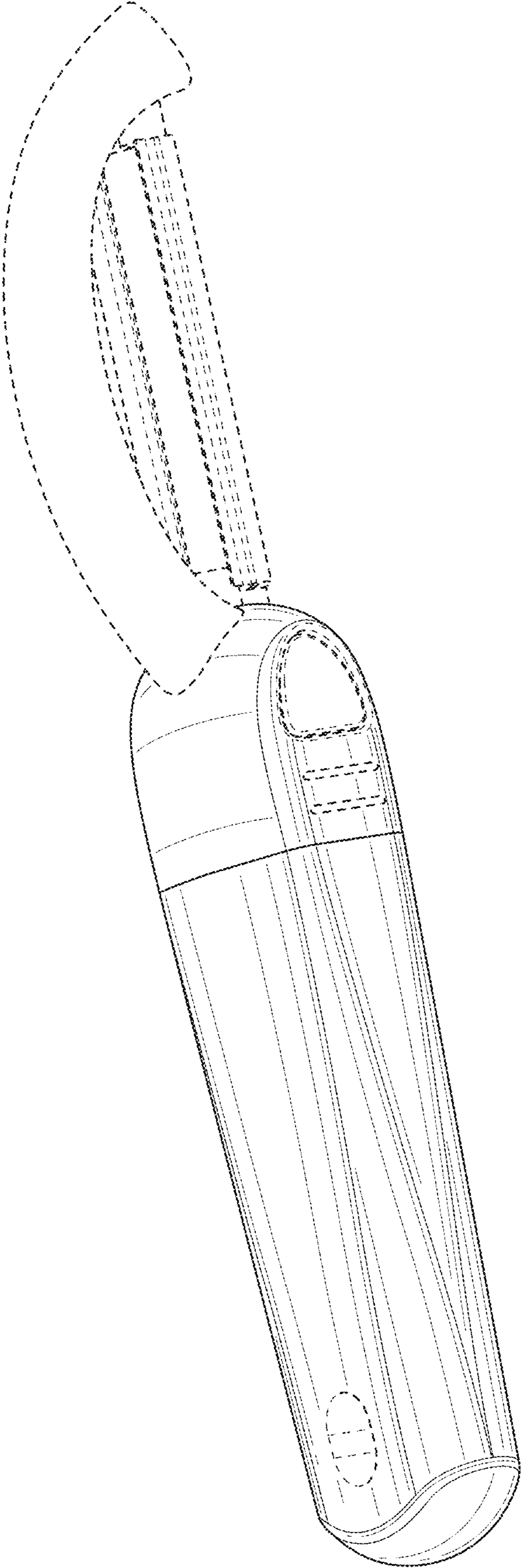


FIG. 1

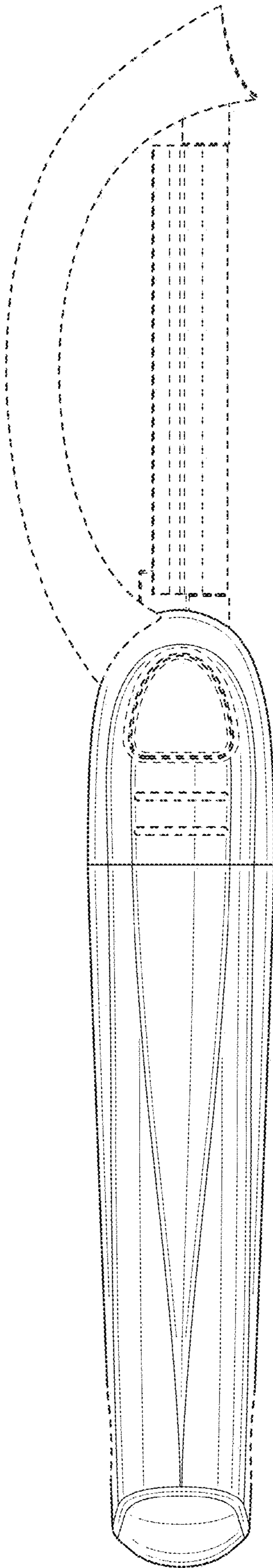


FIG. 2

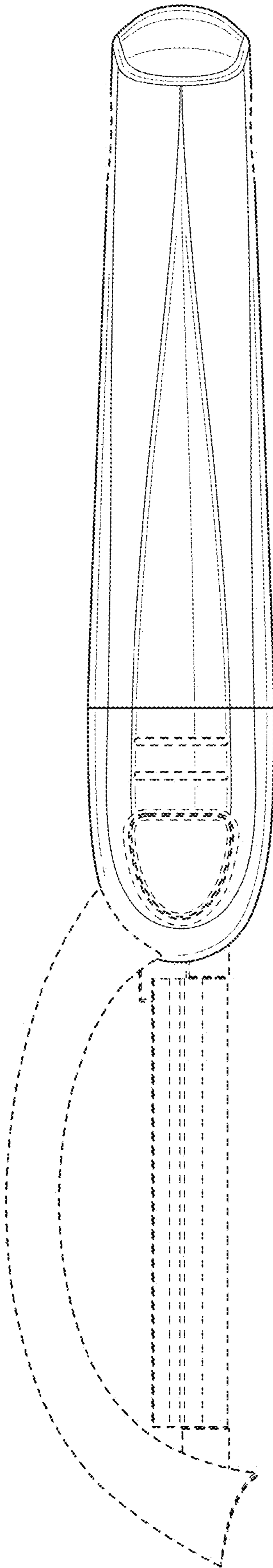


FIG. 3

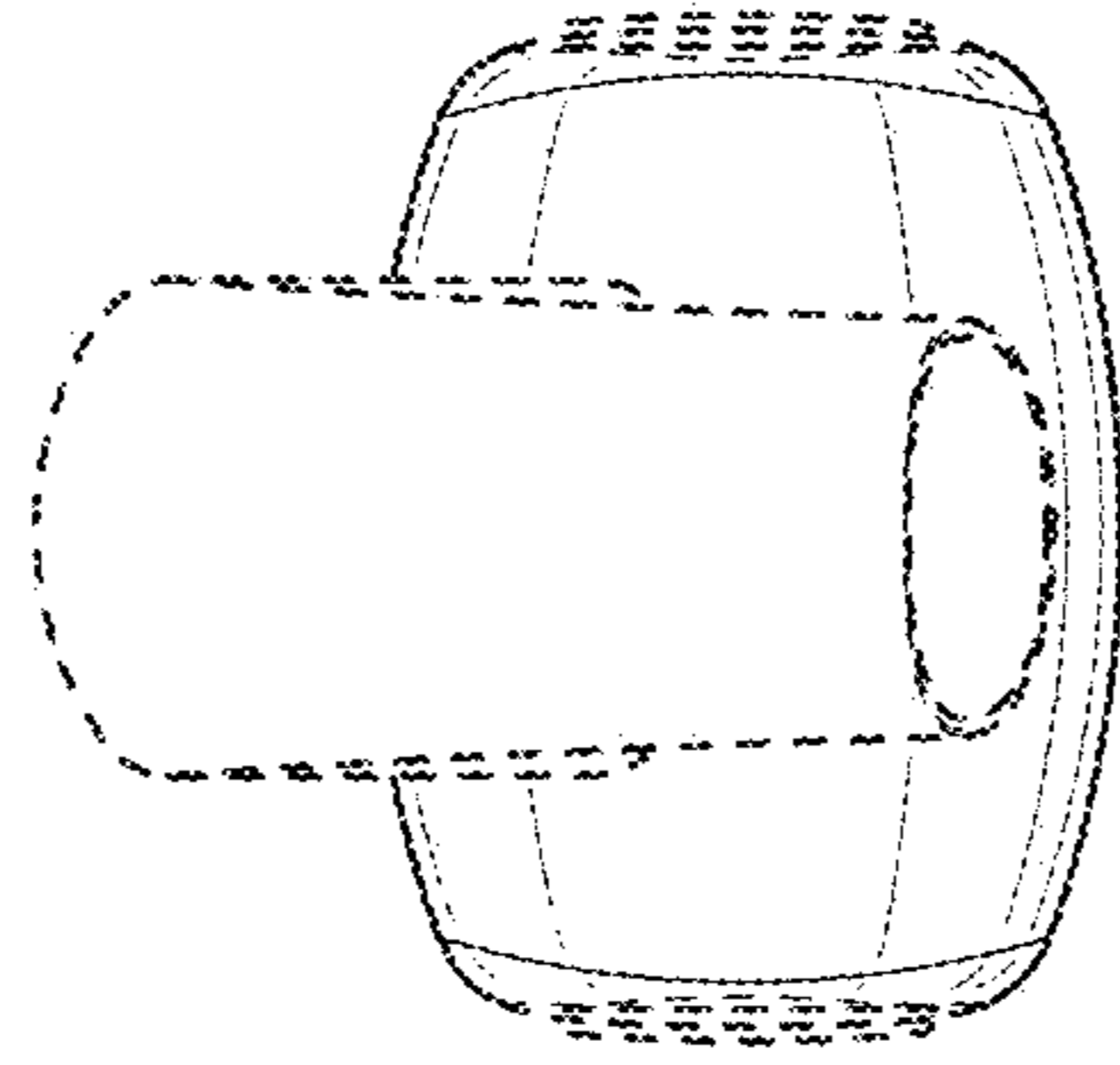


FIG. 5

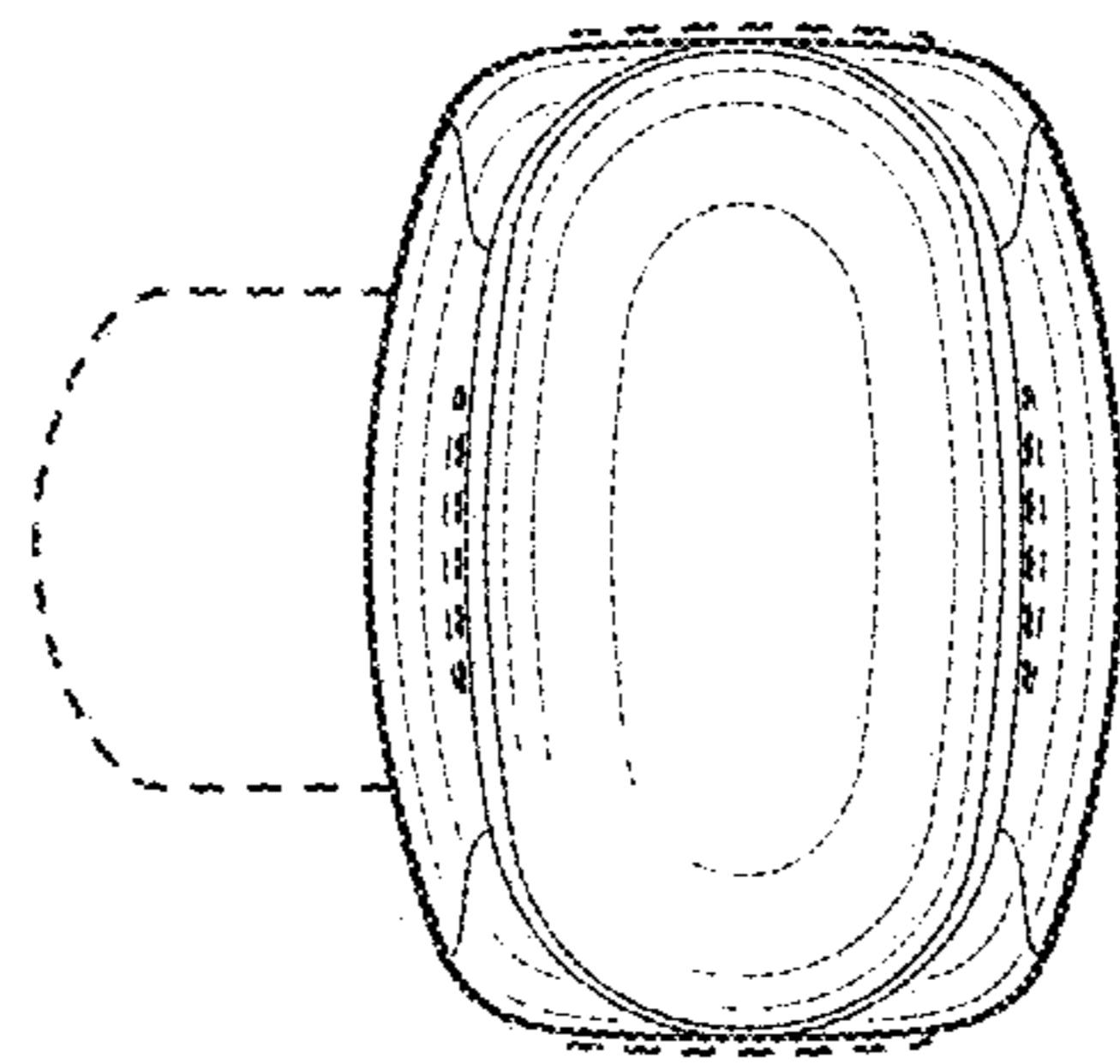


FIG. 4

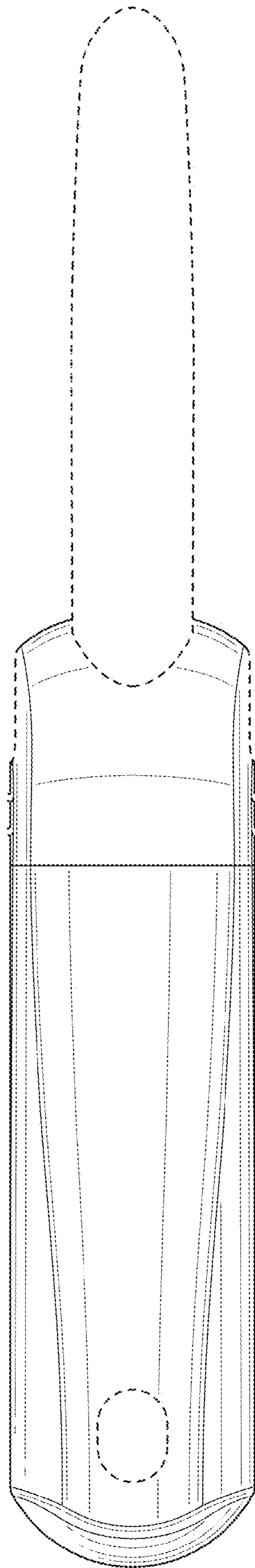


FIG. 6

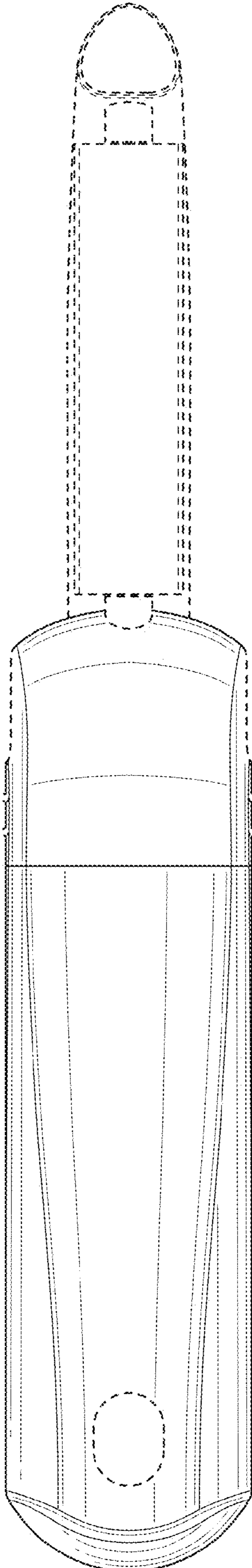


FIG. 7