



US00D985340S

(12) **United States Design Patent** (10) **Patent No.:** **US D985,340 S**  
**Cheng et al.** (45) **Date of Patent:** **\*\* May 9, 2023**

- (54) **KNIFE WITH SHEATH**
- (71) Applicant: **Helen of Troy Limited**, St. Michael (BB)
- (72) Inventors: **Carly Cheng**, New York, NY (US); **Dzmitry Varhan**, Dingmans Ferry, PA (US)
- (73) Assignee: **Helen of Troy Limited**, St. Michael (BB)
- (\*\*) Term: **15 Years**
- (21) Appl. No.: **29/809,002**
- (22) Filed: **Sep. 24, 2021**
- (51) **LOC (14) Cl.** ..... **07-03**
- (52) **U.S. Cl.**  
USPC ..... **D7/649**
- (58) **Field of Classification Search**  
USPC ..... D3/220; D7/642, 643, 645, 649, 650; D8/98; D22/118  
CPC ..... B24B 15/08; B24D 15/08; B26B 29/02; B26B 3/06; F41B 13/00; F41B 13/04  
See application file for complete search history.

(56) **References Cited**

**U.S. PATENT DOCUMENTS**

D368,951 S *	4/1996	Buck	.....	D22/118
5,568,888 A *	10/1996	Seber	.....	B26B 3/06
				224/232
D378,243 S *	3/1997	Seber	.....	D3/220
D435,400 S *	12/2000	Veltz	.....	D7/649
6,457,240 B1 *	10/2002	Liu	.....	B26B 29/025
				30/162
D465,542 S *	11/2002	Bloch	.....	D22/118
D838,555 S *	1/2019	Gauss	.....	D7/638
D844,096 S *	3/2019	McKillips	.....	D22/118
2005/0204565 A1 *	9/2005	Wong	.....	C10L 5/44
				30/151
2007/0266569 A1 *	11/2007	Nenadic	.....	F41B 13/04
				30/151

2014/0284246 A1 *	9/2014	Huang	.....	A47G 19/30
				206/553
2016/0243674 A1 *	8/2016	Lin	.....	B24D 15/084
2018/0200903 A1 *	7/2018	Robinson	.....	B26B 3/00

(Continued)

**FOREIGN PATENT DOCUMENTS**

CA	156559	*	1/2015
CN	3270456	*	1/2003
CN	301837646	*	12/2012

(Continued)

**OTHER PUBLICATIONS**

Santoku Chef's Knife with Sheath, Jan. 10, 2021, <https://www.amazon.com/Santoku-chef-Knife-inch-professional/dp/B07SZHS79F/> (Year: 2021).\*

(Continued)

*Primary Examiner* — Brett Miller  
*Assistant Examiner* — Nader Abadir  
 (74) *Attorney, Agent, or Firm* — Rankin, Hill & Clark LLP

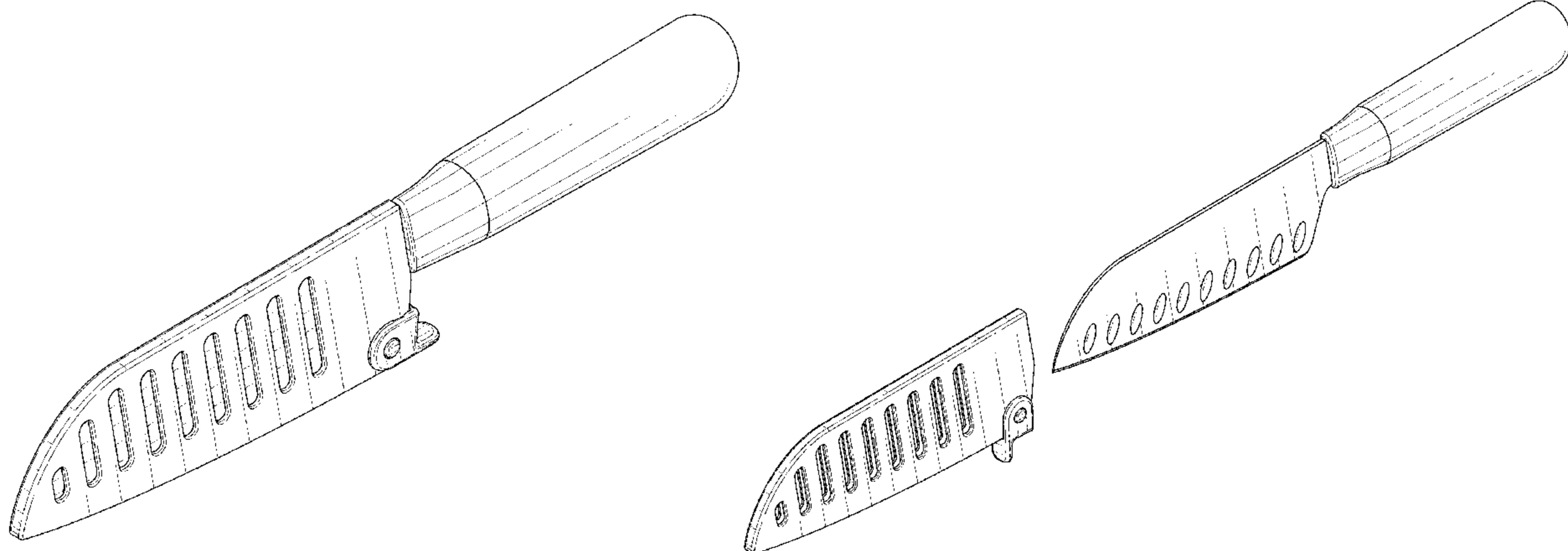
(57) **CLAIM**

The ornamental design for a knife with sheath, as shown and described.

**DESCRIPTION**

FIG. 1 is a perspective view of a knife with sheath showing our new design;  
 FIG. 2 is a front elevation view of FIG. 1;  
 FIG. 3 is a rear elevation view of FIG. 1;  
 FIG. 4 is a left side elevation view of FIG. 1;  
 FIG. 5 is a right side elevation view of FIG. 1;  
 FIG. 6 is a top plan view of FIG. 1;  
 FIG. 7 is a bottom plan view of FIG. 1;  
 FIG. 8 is an exploded perspective view of FIG. 1; and,  
 FIG. 9 is an exploded perspective view of FIG. 1.

**1 Claim, 6 Drawing Sheets**



(56)

**References Cited**

U.S. PATENT DOCUMENTS

2020/0368893 A1 \* 11/2020 Chen ..... B25G 3/26

FOREIGN PATENT DOCUMENTS

CN 303680169 \* 5/2016  
CN 304595176 \* 4/2018

OTHER PUBLICATIONS

Bigcat Roar Hunting Knife with Sheath, Jul. 10, 2019, <https://www.amazon.com/Bobcat-Knives-Handmade-Bushcraft-Damascus/dp/B07QZNVYLD> (Year: 2019).\*

Hinomaru Knife, Apr. 12, 2018, <https://www.amazon.com/Hinomaru-Collection-Quality-Stainless-Santoku/dp/B081JCQ3W9> (Year: 2018).\*

Tekno Knife, Apr. 25, 2017, <https://www.amazon.com/Set-Copper-Knives-6-25-Blade/dp/B0754FW1ZB/> (Year: 2017).\*

Dalstrong Knife with Sheath, Sep. 5, 2019, <https://www.amazon.com/DALSTRONG-Chef-Knife-Deflector-ThyssenKrupp/dp/B07XG8HPWG> (Year: 2019).\*

SZCO Knife w Sheath, Jun. 8, 2018, <https://www.amazon.com/SZCO-Supplies-203380-Hunting-Knife/dp/B00S951PNE> (Year: 2018).\*

Wanbasion Knife with Sheath, May 22, 2019, <https://www.amazon.com/Wanbasion-Professional-Stainless-Dishwasher-Sheathes/dp/B07Q82JHZV> (Year: 2019).\*

S-TEC Knife with Sheath, Aug. 22, 2019, <https://www.amazon.com/S-TEC-Tactical-Knife-Swivel-Sheath/dp/B07WS3MGLW> (Year: 2019).\*

OXO Outdoor 8" Chefs Knife with Sheath, <https://www.rei.com/product/192827/oxo-outdoor-8-chefs-knife-with-sheath>, publicly available prior to Sep. 24, 2021. [Retrieved from the Internet Sep. 24, 2021].

\* cited by examiner

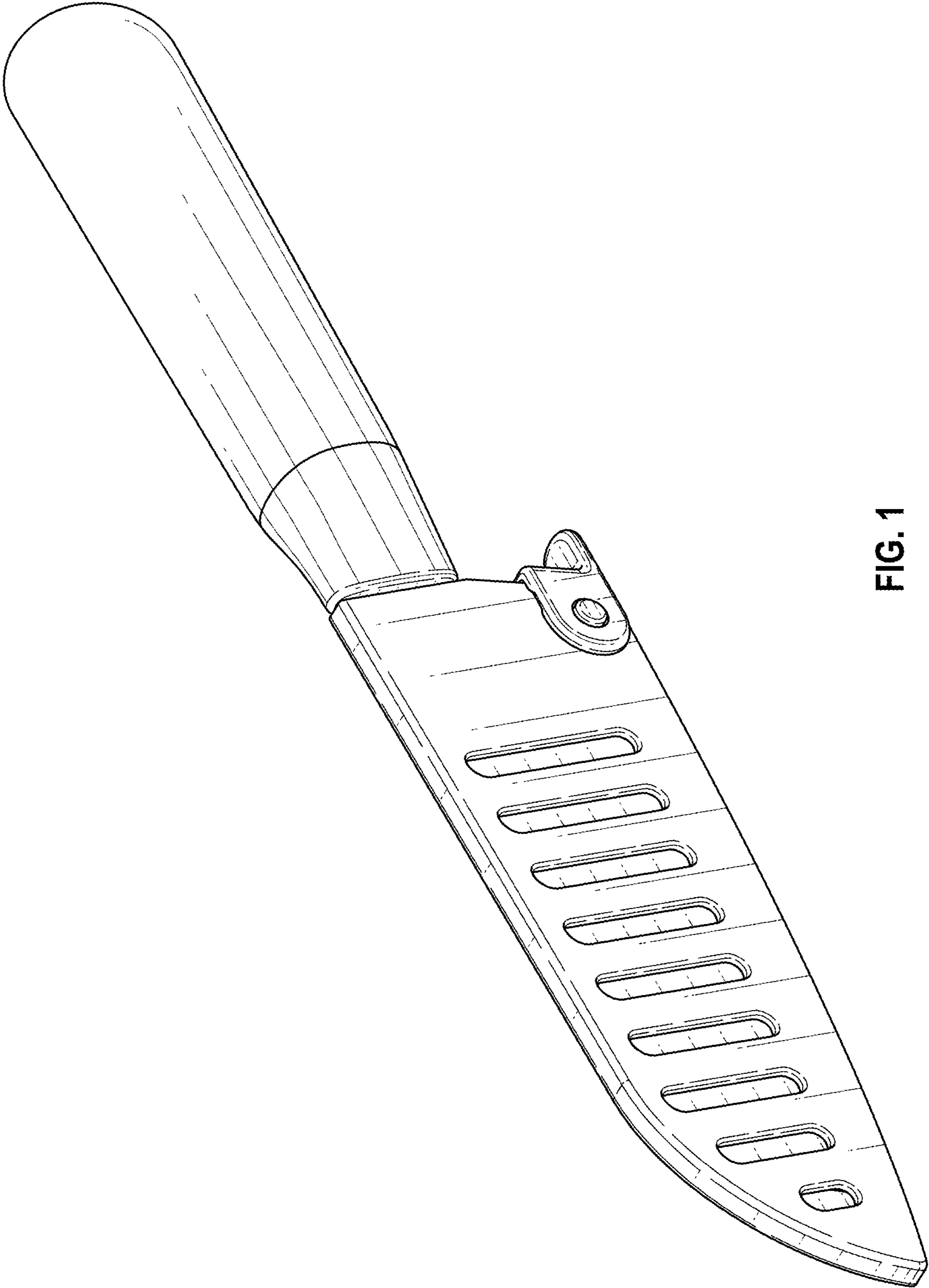


FIG. 1

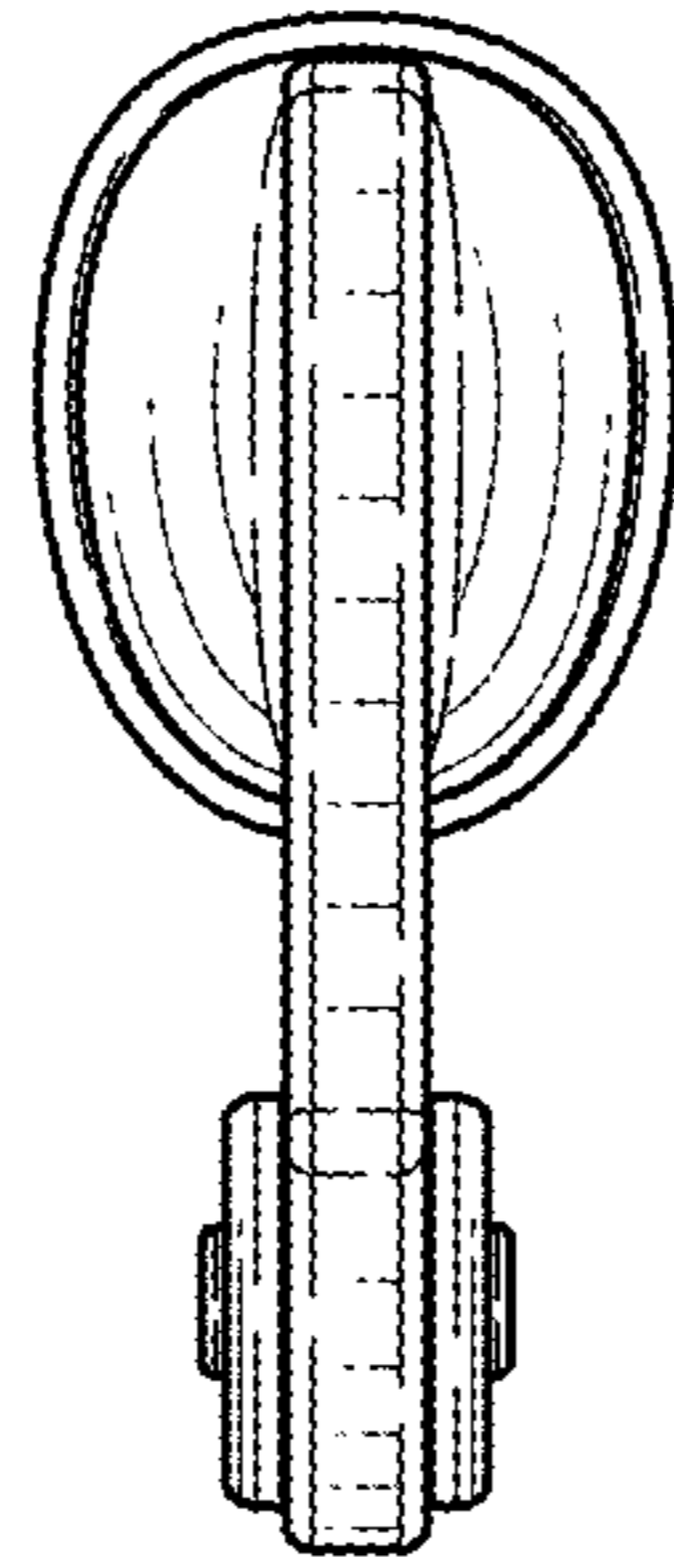


FIG. 2

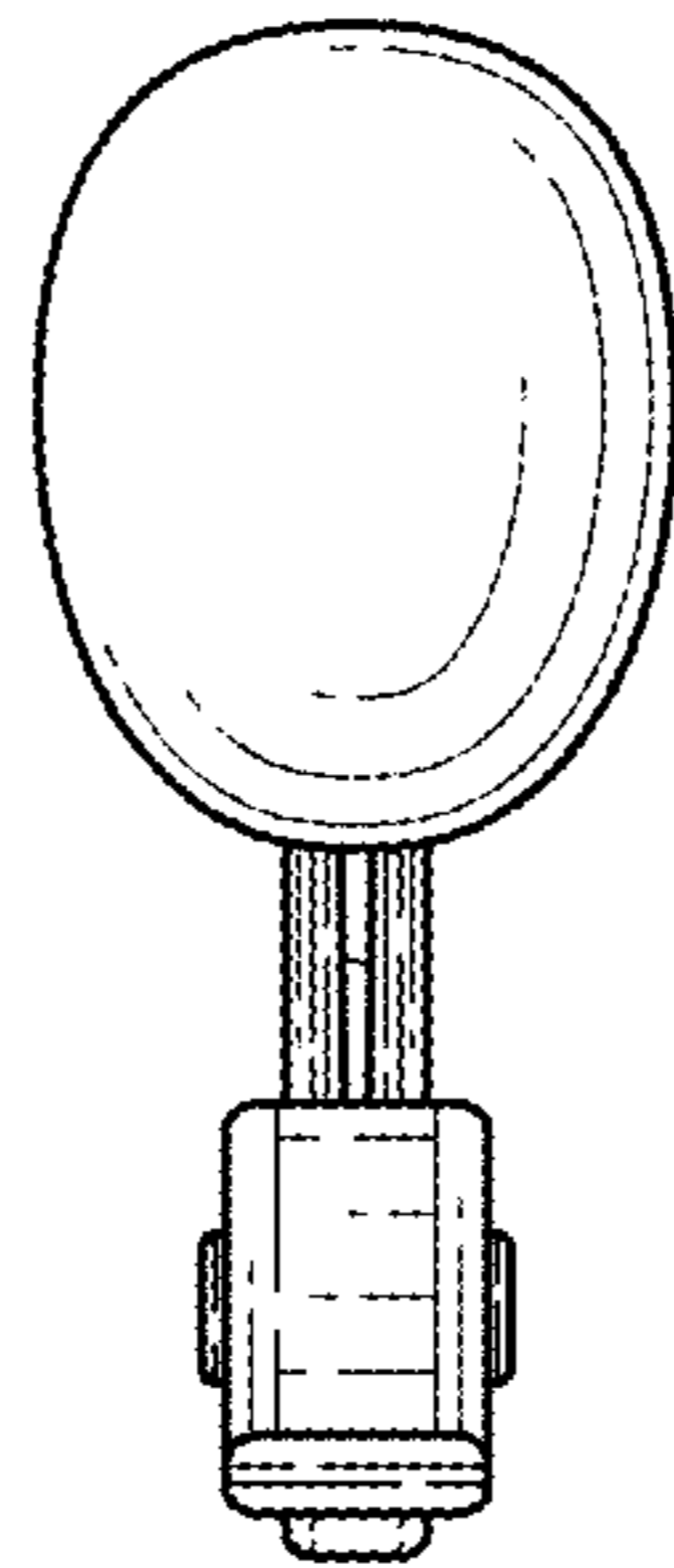


FIG. 3

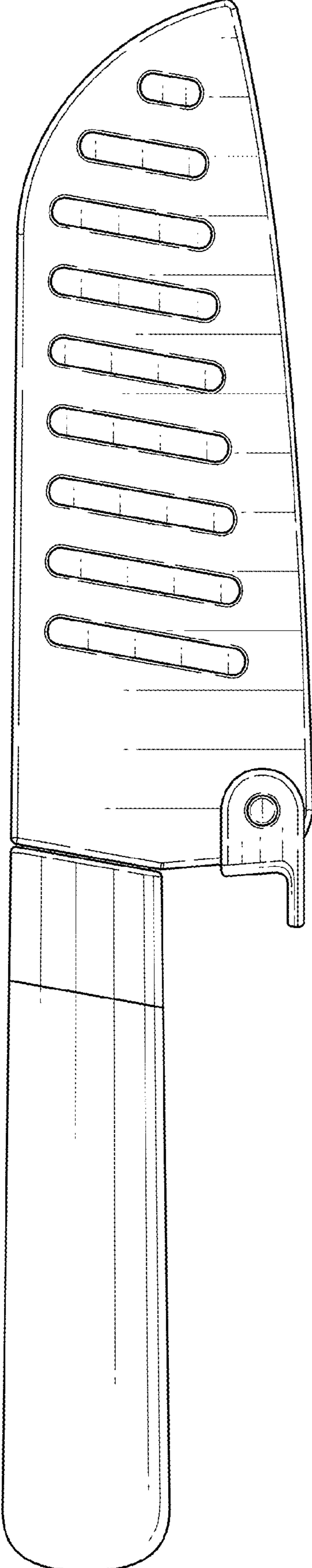


FIG. 4

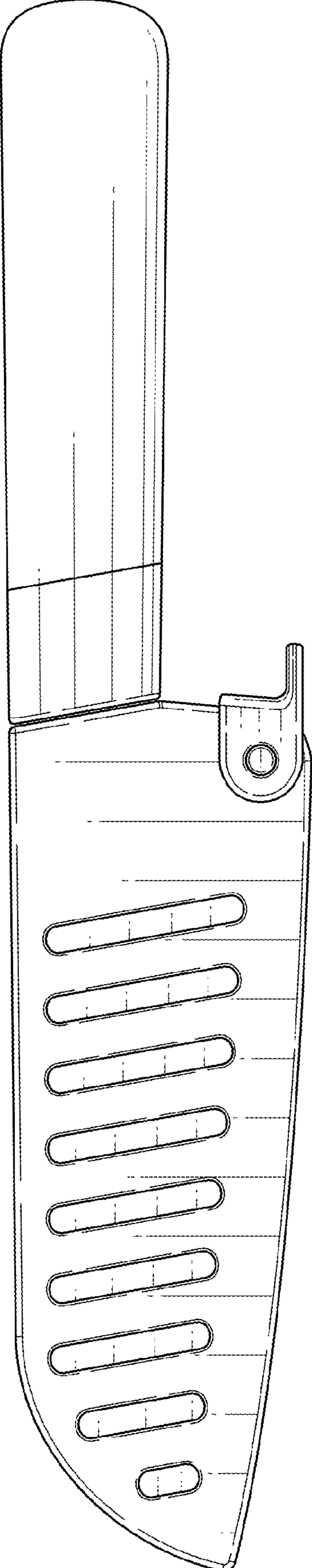


FIG. 5

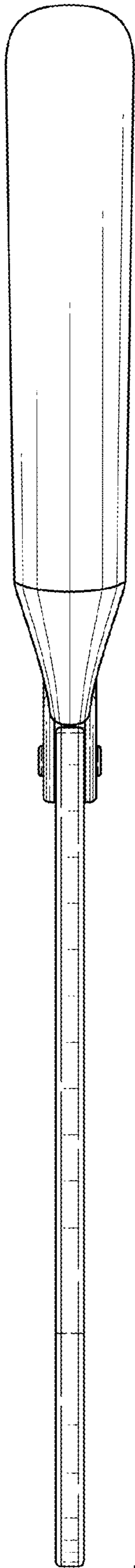


FIG. 6

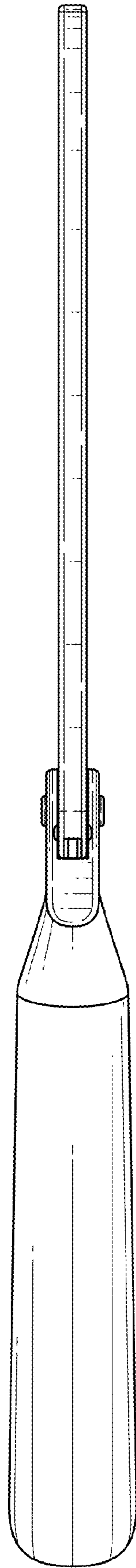


FIG. 7

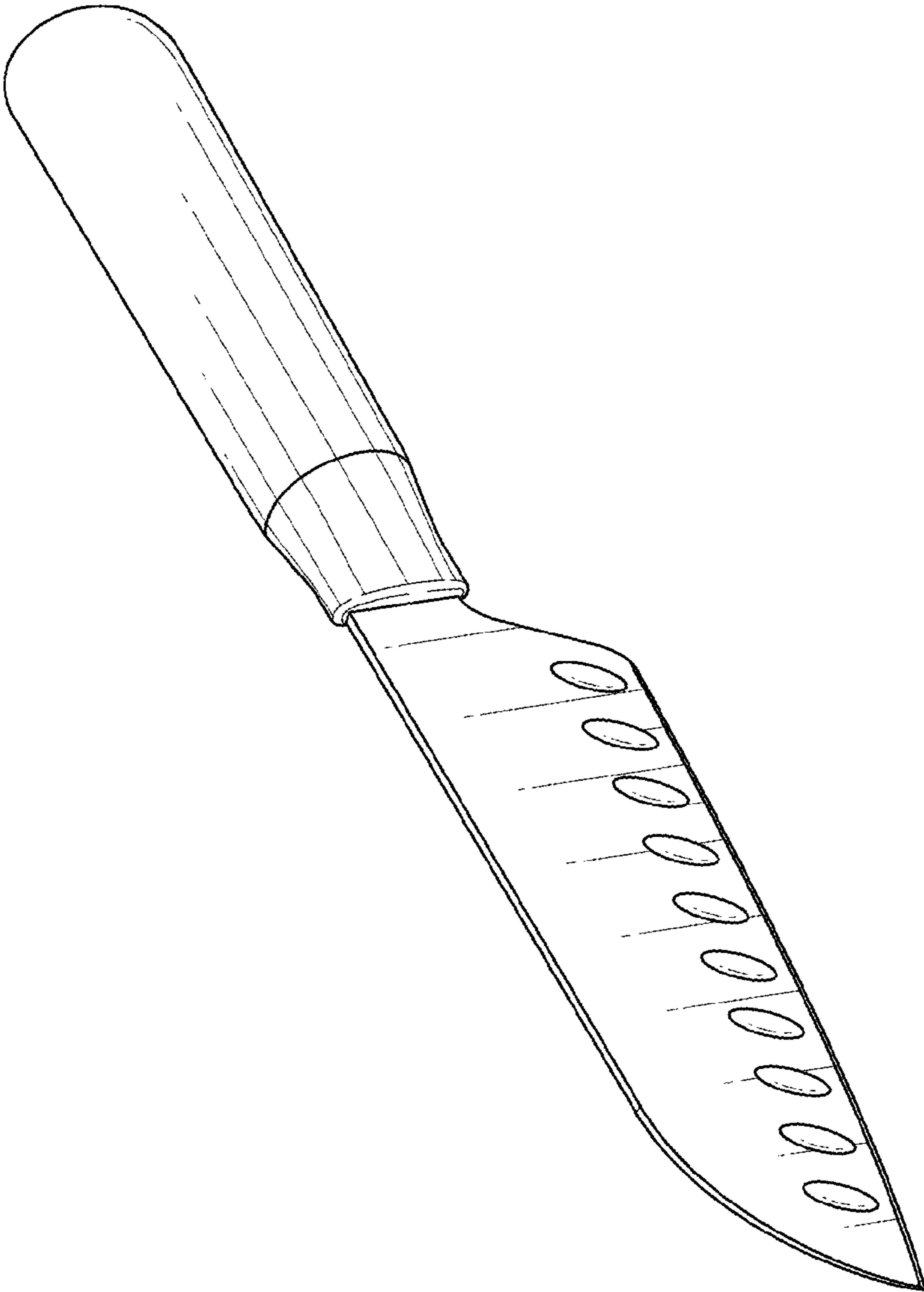
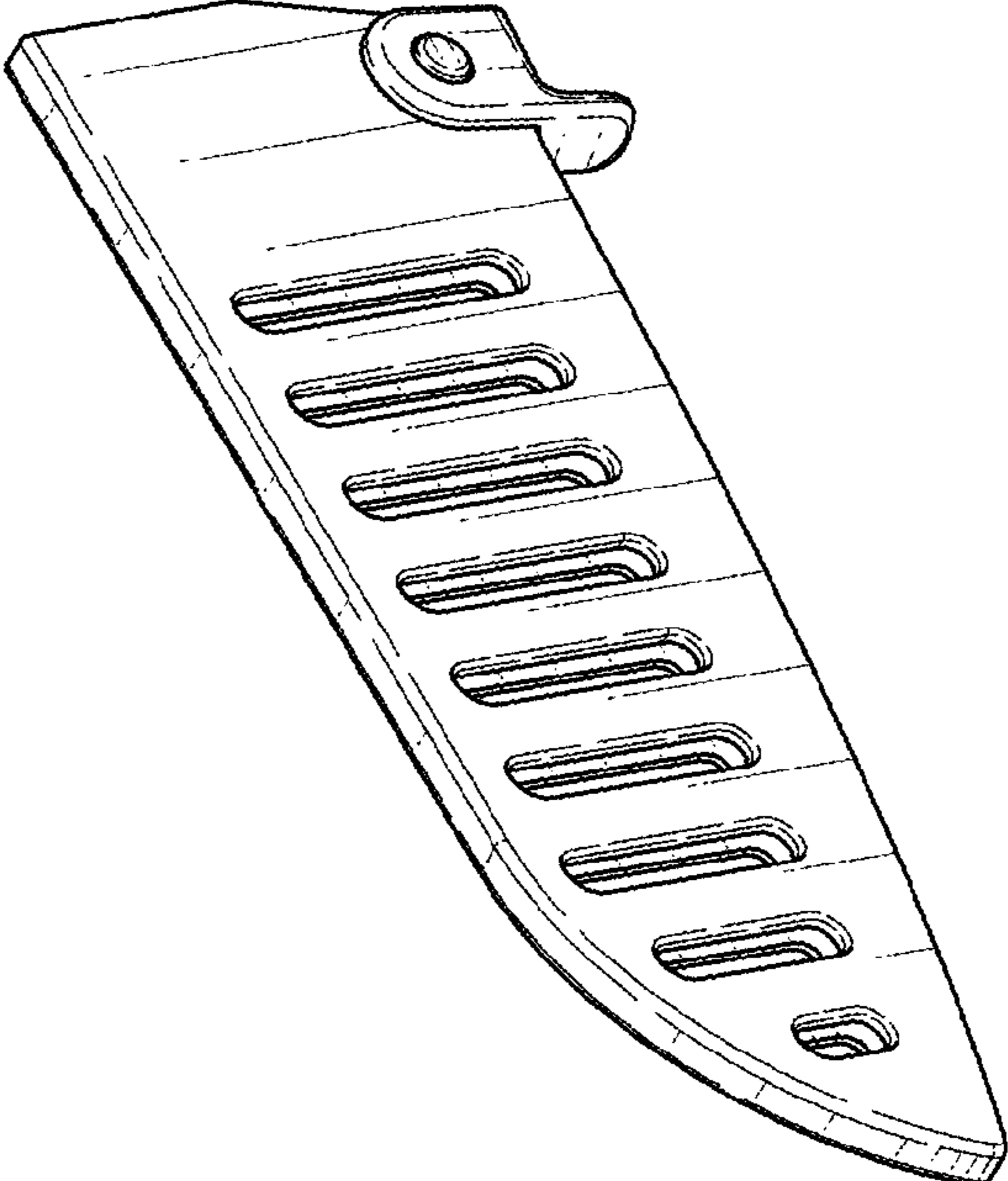


FIG. 8



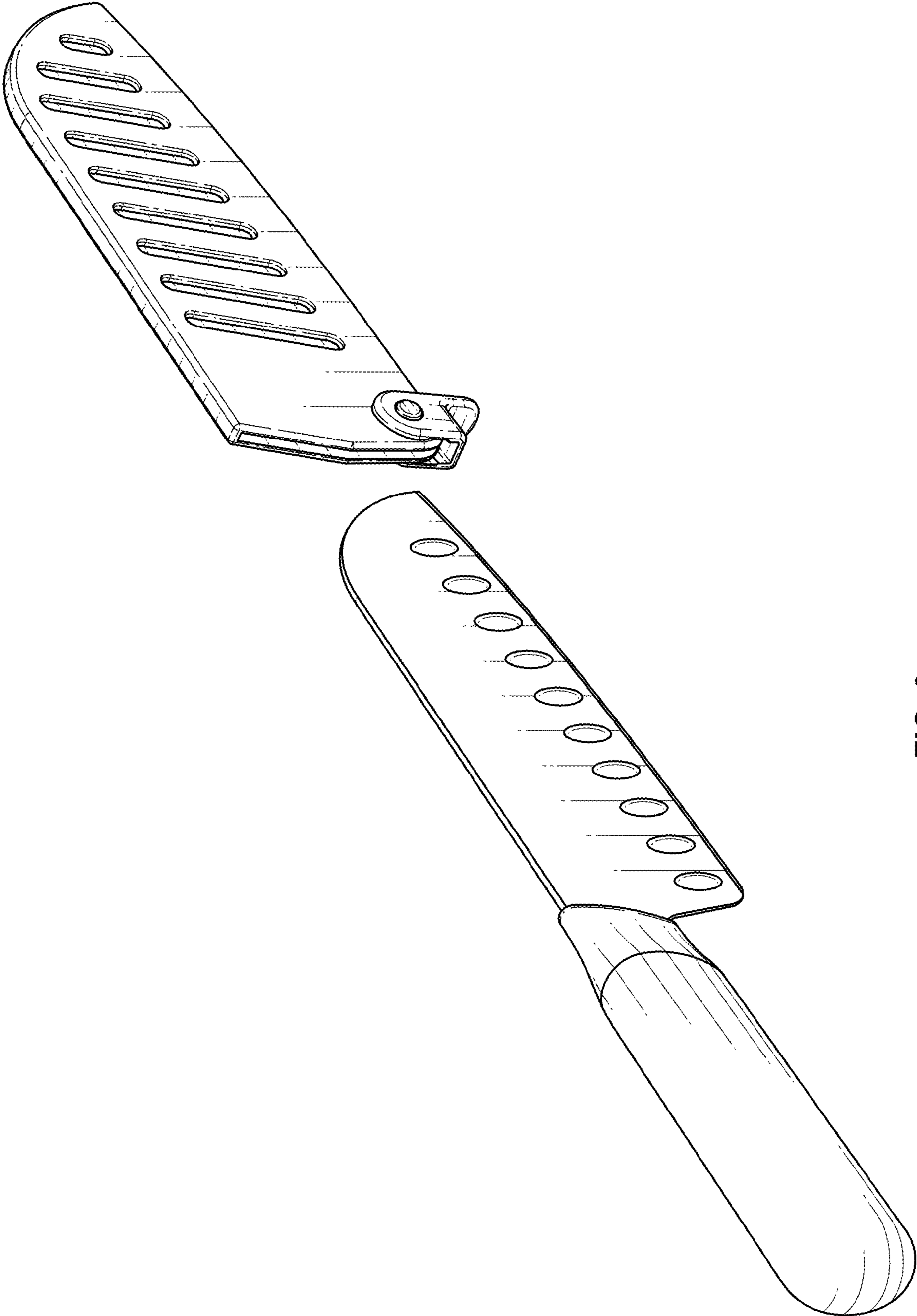


FIG. 9