



US00D985338S

(12) **United States Design Patent** (10) **Patent No.:** **US D985,338 S**
Steben (45) **Date of Patent:** **** May 9, 2023**

(54) **BEVERAGE CONTAINER SLEEVE**

(71) Applicant: **True Fabrications, Inc.**, Seattle, WA (US)

(72) Inventor: **Chastity Steben**, Seattle, WA (US)

(73) Assignee: **True Fabrications, Inc.**, Seattle, WA (US)

(**) Term: **15 Years**

(21) Appl. No.: **29/804,792**

(22) Filed: **Aug. 23, 2021**

(51) **LOC (14) Cl.** **07-10**

(52) **U.S. Cl.**
USPC **D7/624.2; D7/607**

(58) **Field of Classification Search**

USPC D7/387, 601-608, 619.1-625; D3/202
CPC A47G 23/02; A47G 23/0208; A47G 23/0216; A47G 23/0225; A47G 23/0241; A47G 23/0258; A47G 23/0266; A47G 23/04; A47G 2023/0275; A47G 2023/0283; A47G 2023/0291; A47J 41/00; A47J 41/0066; A47J 41/0061; A47J 41/02; A47J 41/026

See application file for complete search history.

(56) **References Cited**

U.S. PATENT DOCUMENTS

4,282,279	A *	8/1981	Strickland	B65D 25/34 206/139
D289,721	S *	5/1987	Havis	B65D 25/34 D7/622
D295,709	S *	5/1988	Evans	D9/455
4,831,842	A *	5/1989	Kelley et al.		
4,989,418	A *	2/1991	Hewlett	F25D 31/007 62/530
D446,423	S *	8/2001	Terra	D7/607

(Continued)

OTHER PUBLICATIONS

GoCuff Coffee Cup Reusable Sleeves Neoprene Insulator, first available Oct. 7, 2021, Amazon, [online], [site visited Dec. 12, 2022], Available from internet URL: <https://www.amazon.com/Reusable-Insulator-Beverages-Bottomless-Tumbler> (Year: 2021).*

(Continued)

Primary Examiner — Mary Ann Calabrese

Assistant Examiner — Natalya M Rapundalo

(74) *Attorney, Agent, or Firm* — Fox Rothschild LLP

(57) **CLAIM**

The ornamental design for a beverage container sleeve, as shown and described.

DESCRIPTION

FIG. 1 is a perspective view of a beverage container sleeve, in accordance with my new design, shown in an environment of use.

FIG. 2 is a left side view of the beverage container sleeve of FIG. 1.

FIG. 3 is a right side view of the beverage container sleeve of FIG. 1.

FIG. 4 is a front view of the beverage container sleeve of FIG. 1.

FIG. 5 is a rear view of the beverage container sleeve of FIG. 1.

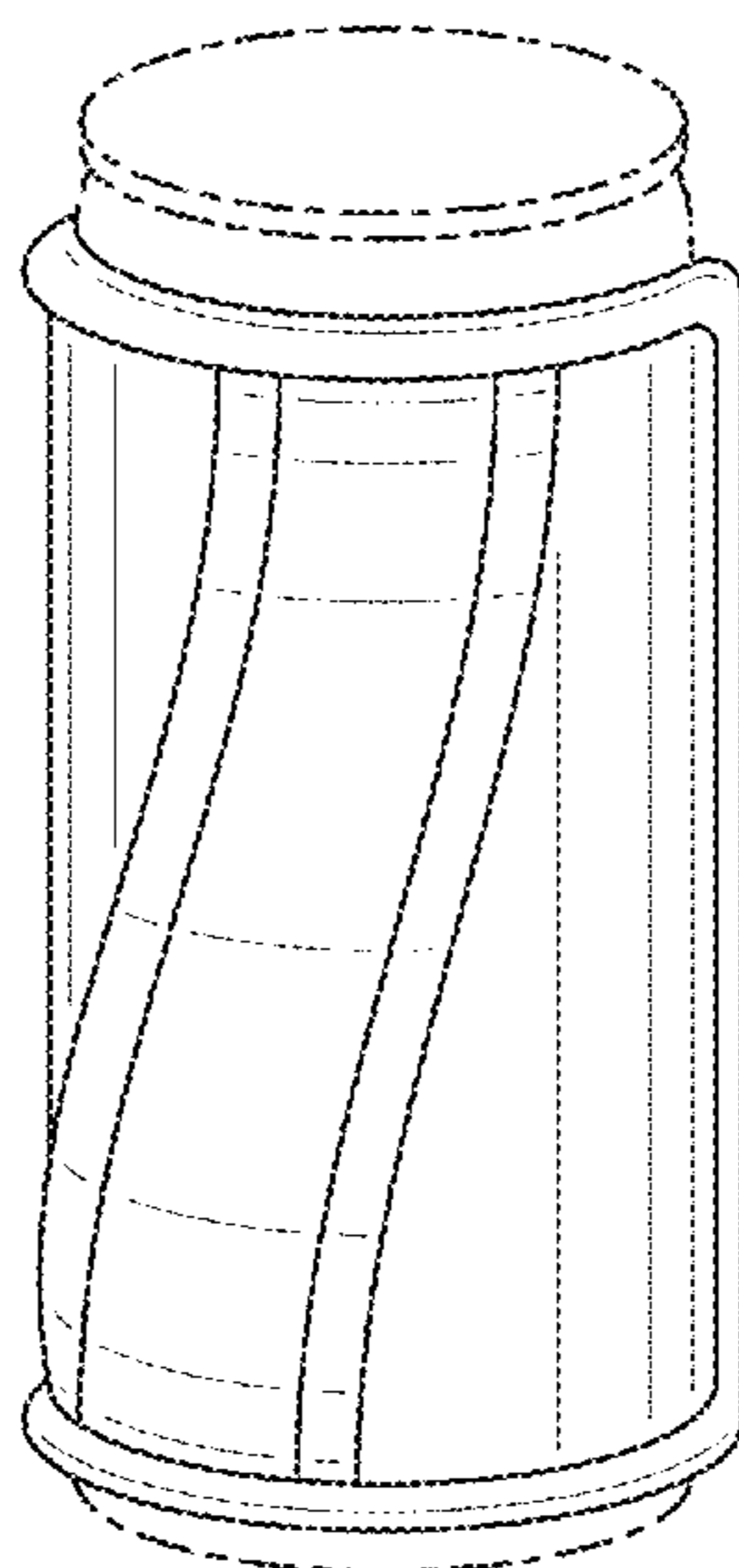
FIG. 6 is a top view of the beverage container sleeve of FIG. 1.

FIG. 7 is a bottom view of the beverage container sleeve of FIG. 1; and,

FIG. 8 is a perspective view of the beverage container sleeve of FIG. 1.

The dash dot lines seen in FIG. 1 represent environment and form no part of the claimed design. The evenly spaced dashed broken lines seen in FIG. 5 illustrate portions of the beverage container sleeve and form no part of the claimed design.

1 Claim, 3 Drawing Sheets



(56)

References Cited

U.S. PATENT DOCUMENTS

D595,994 S * 7/2009 Albritton D7/624.2
D643,693 S * 8/2011 Jama D7/624.2
D704,005 S * 5/2014 Marshall A47G 23/0225
D7/624.2
D728,771 S * 5/2015 Santeler D23/386
D929,193 S * 8/2021 McGinnis D7/624.2
2004/0104320 A1 * 6/2004 Exler A47G 23/0225
248/206.5
2015/0362244 A1 12/2015 Sporre
2017/0280905 A1 10/2017 Prchal
2019/0375576 A1 12/2019 Steinberg

OTHER PUBLICATIONS

Host Insta-Chill Slim Can Cooler Flexible Freezable Gel and Ice Pack for 12oz Slim Cans, Green, TrueBrands, [online], [site visited Dec. 12, 2022], Available from internet URL: <https://www.truebrands.com/insta-chill-slim-can-sleeve-in-green-by-host.html> (Year: 2022).*

* cited by examiner

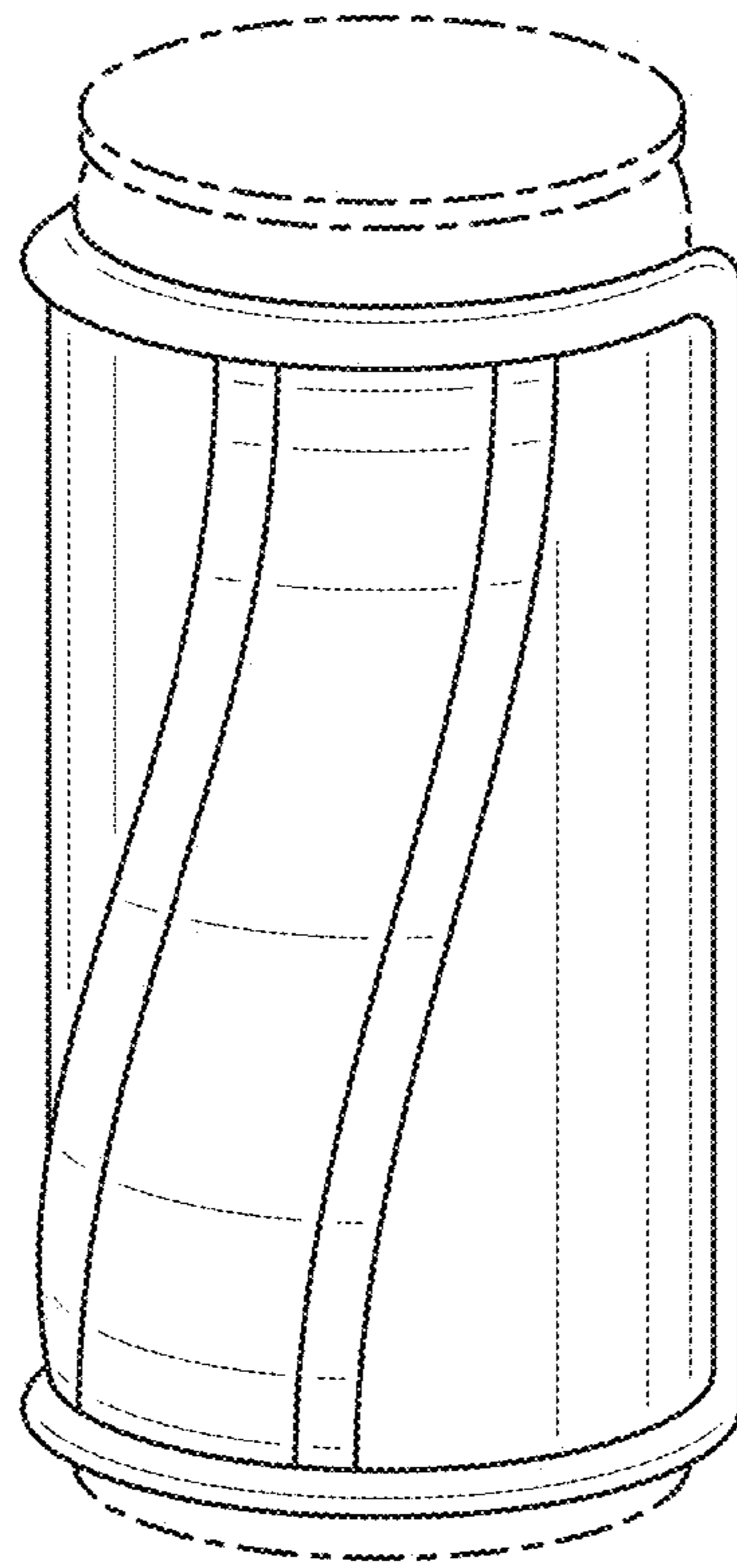


FIG. 1



FIG. 2



FIG. 3

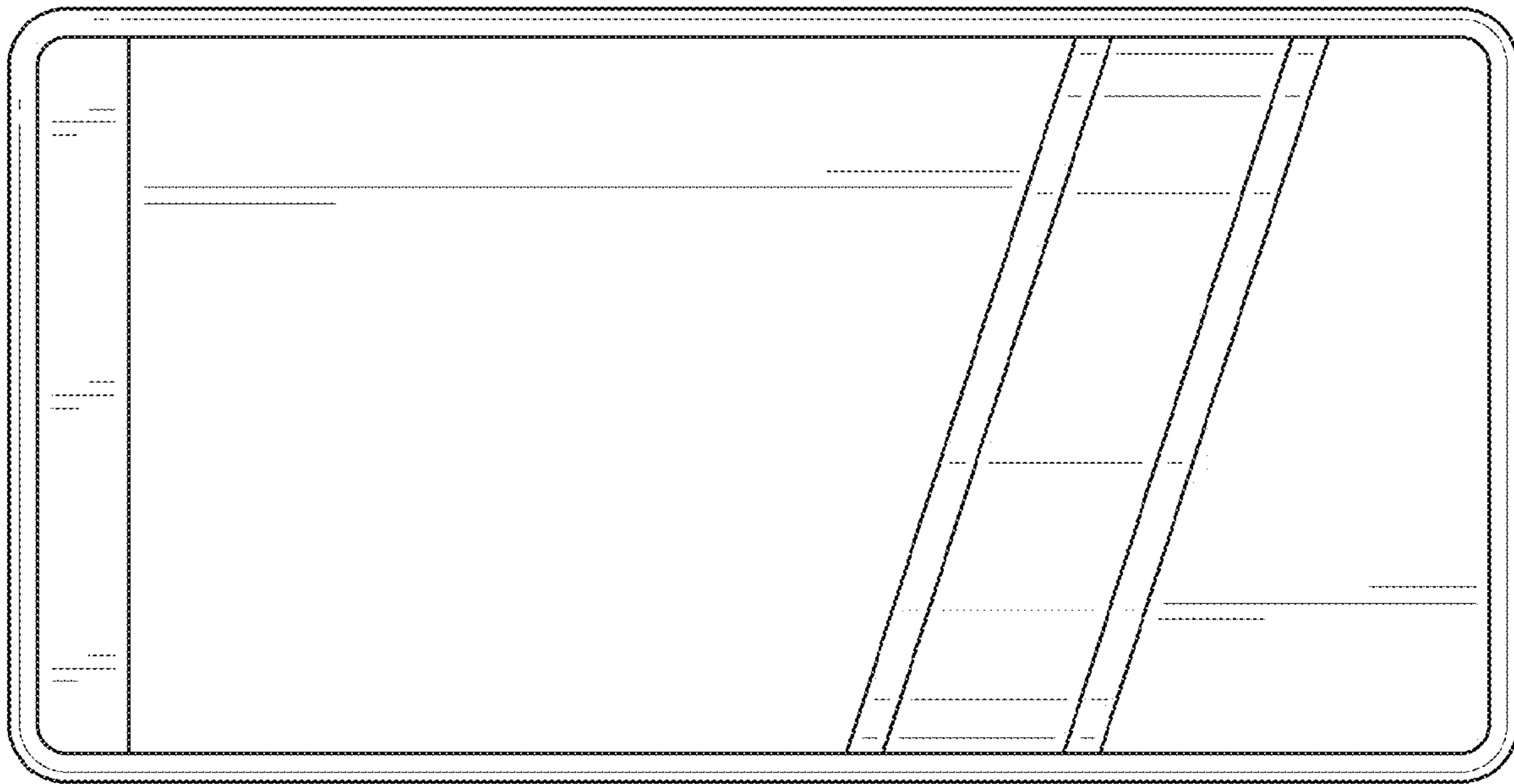


FIG. 4

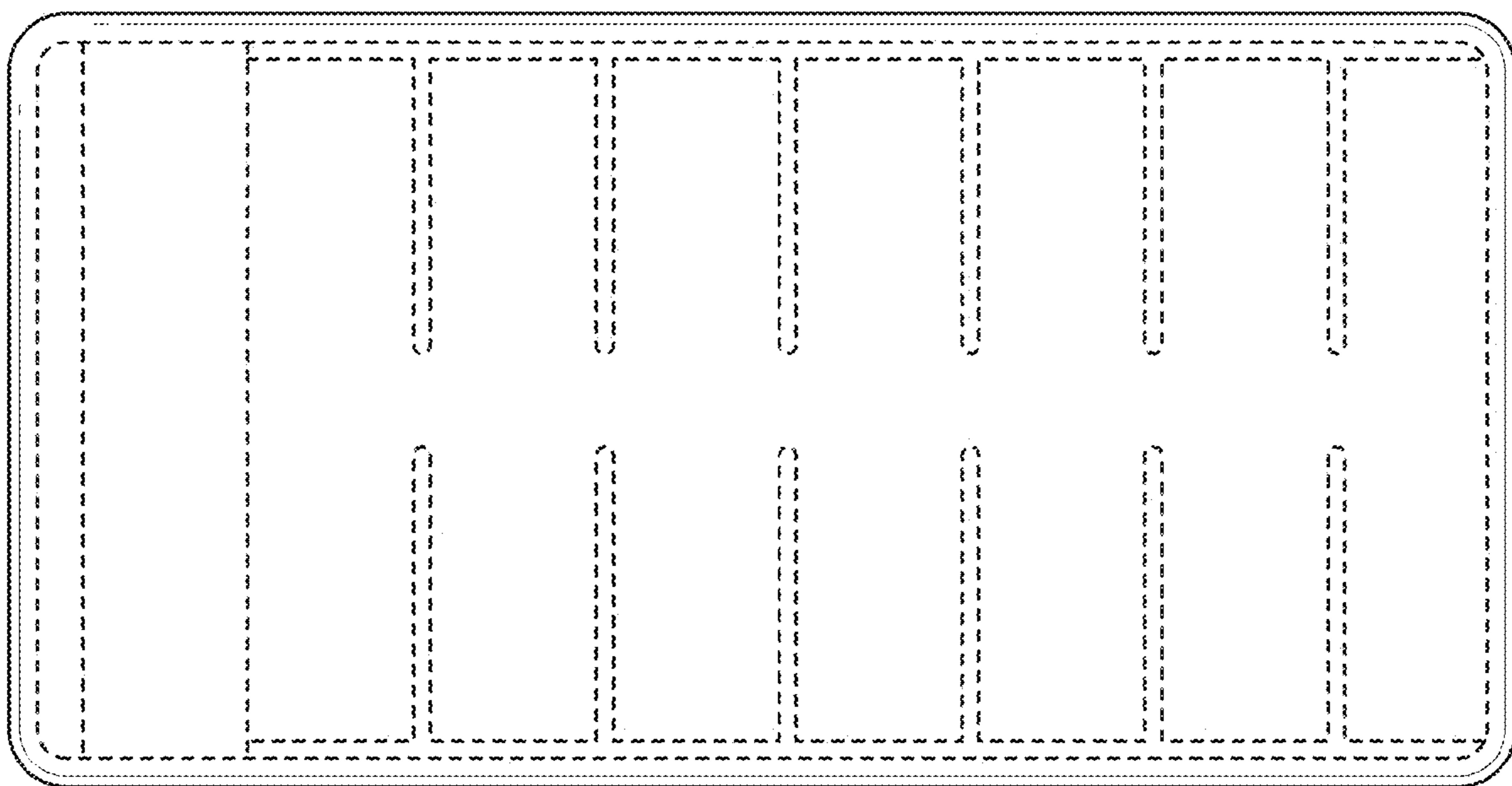


FIG. 5

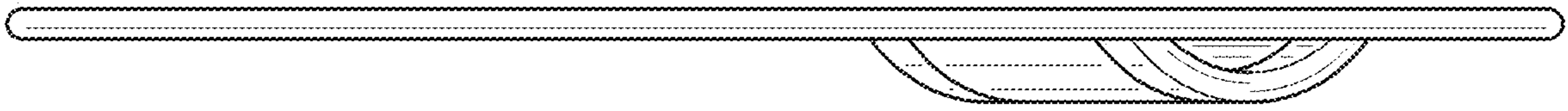


FIG. 6



FIG. 7

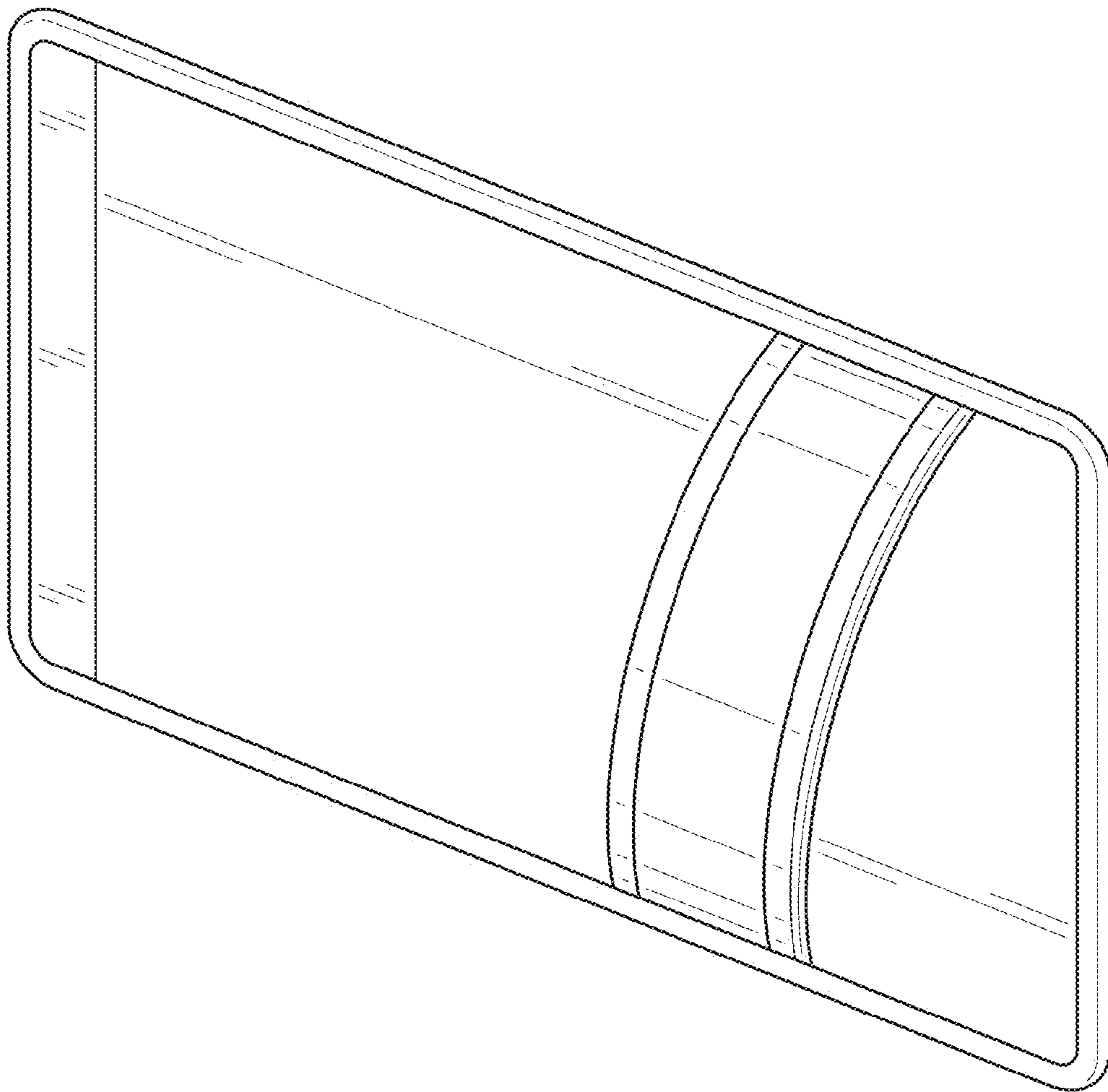


FIG. 8