



US00D985337S

(12) **United States Design Patent** (10) **Patent No.:** **US D985,337 S**
Han (45) **Date of Patent:** **** May 9, 2023**

(54) **CUP SLEEVE**
(71) Applicant: **Se Won Han**, Ulsan (KR)
(72) Inventor: **Se Won Han**, Ulsan (KR)
(**) Term: **15 Years**
(21) Appl. No.: **29/781,807**
(22) Filed: **Apr. 30, 2021**
(51) **LOC (14) Cl.** **07-06**
(52) **U.S. Cl.**
USPC **D7/624.2**
(58) **Field of Classification Search**
USPC D7/387, 601-608, 619.1-625; D3/202
CPC A47G 23/02; A47G 23/0208; A47G
23/0216; A47G 23/0225; A47G 23/0241;
A47G 23/0258; A47G 23/0266; A47G
23/04; A47G 2023/0275; A47G
2023/0283; A47G 2023/0291; A47J
41/00; A47J 41/0066; A47J 41/0061;
A47J 41/02; A47J 41/026
See application file for complete search history.

(56) **References Cited**
U.S. PATENT DOCUMENTS
D594,707 S * 6/2009 Silverstein D7/624.2
D594,708 S * 6/2009 Silverstein D7/624.2
D611,772 S * 3/2010 Silverstein D7/624.2
D643,689 S * 8/2011 Selina D7/624.2
D648,185 S * 11/2011 Sanders D7/624.2
D679,554 S * 4/2013 Molz D7/624.2
D680,320 S * 4/2013 Kryklywicz D3/215
D720,576 S * 1/2015 Dresner D7/624.2
D842,658 S * 3/2019 Groth D7/624.2
D891,877 S * 8/2020 Nam D7/622
D899,873 S * 10/2020 Dearing D7/624.2
D939,287 S * 12/2021 Vazquez D7/624.2

D951,030 S * 5/2022 Sherrod A47G 23/0216
D7/624.2
2017/0273485 A1* 9/2017 Rao A47G 23/0216
2022/0371796 A1* 11/2022 Telman B65D 81/3881

OTHER PUBLICATIONS

Warmbuy Coffee Cup Sleeves, Walmart, [online], [site visited Dec. 1, 2022], Available from internet URL: <https://www.walmart.com/ip/Coffee-Cup-Sleeves-100-Count/1267992088> (Year: 2022).*

* cited by examiner

Primary Examiner — Mary Ann Calabrese
Assistant Examiner — Natalya M Rapundalo
(74) *Attorney, Agent, or Firm* — Paratus Law Group, PLLC

(57) **CLAIM**

The ornamental design for a cup sleeve, as shown and described.

DESCRIPTION

FIG. 1 is a front, top, and right side perspective view of a cup sleeve, showing the claimed design;
FIG. 2 is a front view thereof and a back view thereof is identical;
FIG. 3 is a left side view thereof and a right side view thereof is identical;
FIG. 4 is a top view thereof;
FIG. 5 is a bottom view thereof;
FIG. 6 is another front, top, and right side perspective view thereof;
FIG. 7 is a perspective view thereof showing the cup sleeve in a partially folded configuration; and,
FIG. 8 is a perspective view thereof showing the cup sleeve in a folded configuration.

1 Claim, 8 Drawing Sheets

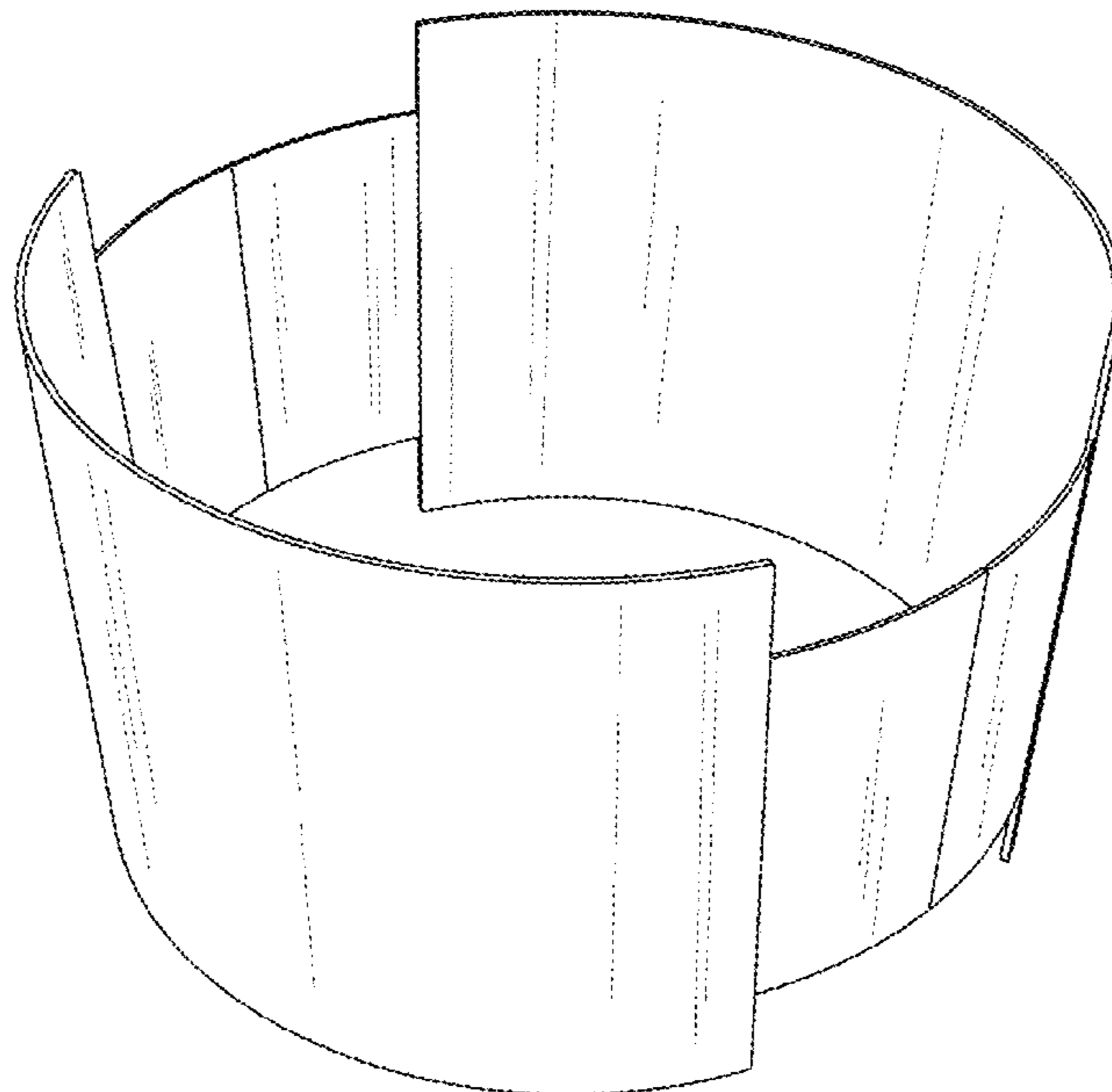


FIG. 1

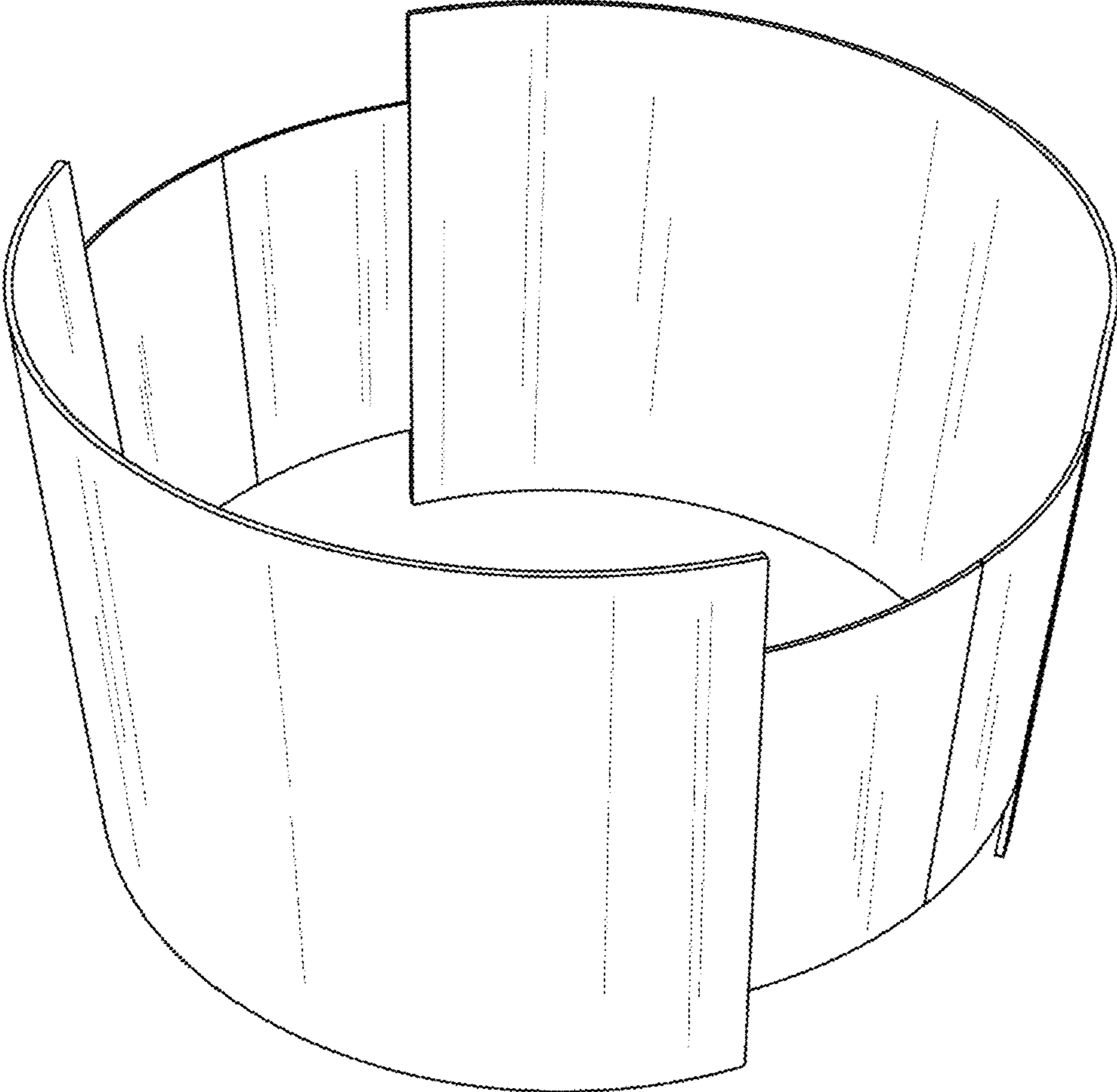


FIG. 2

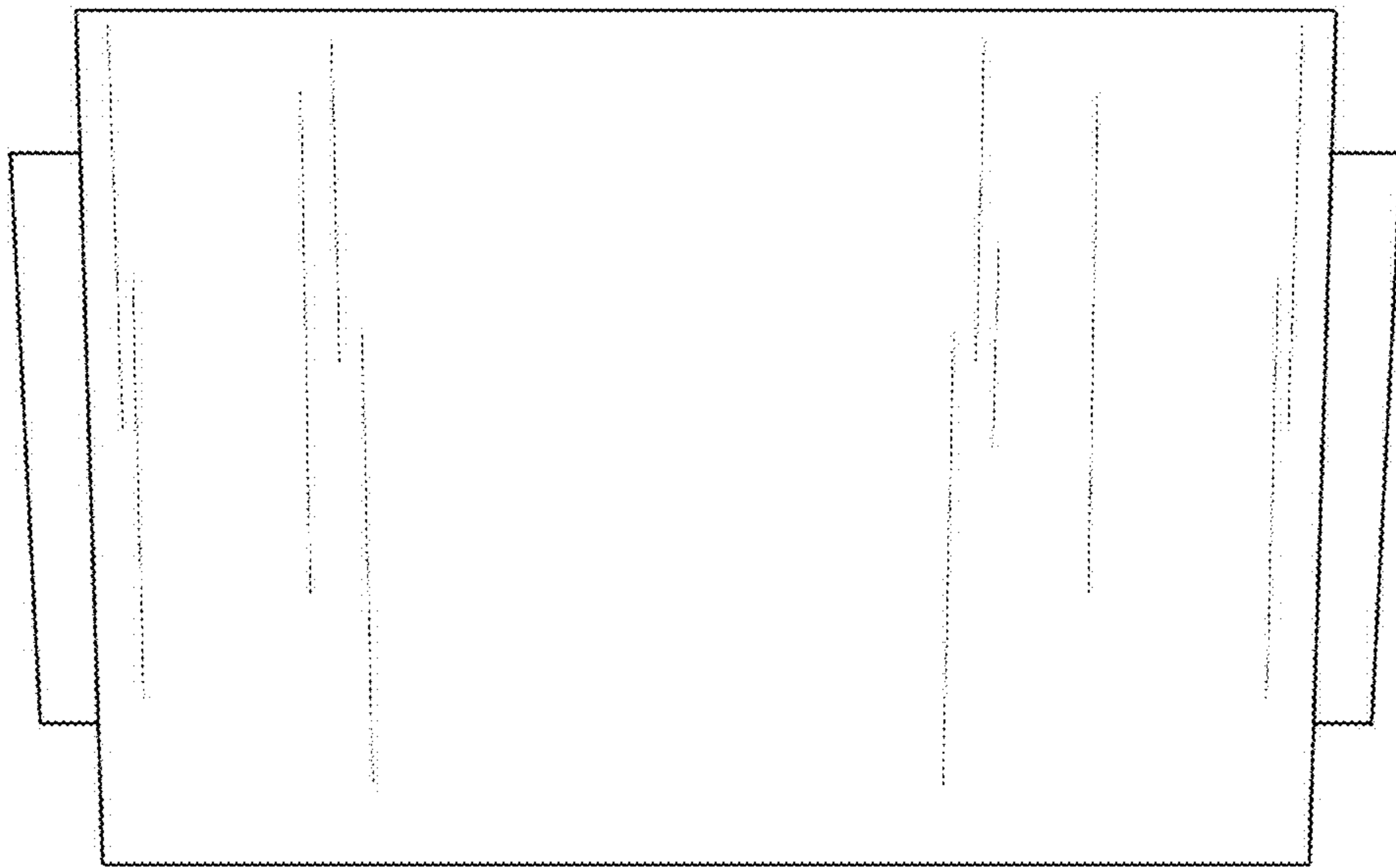


FIG. 3

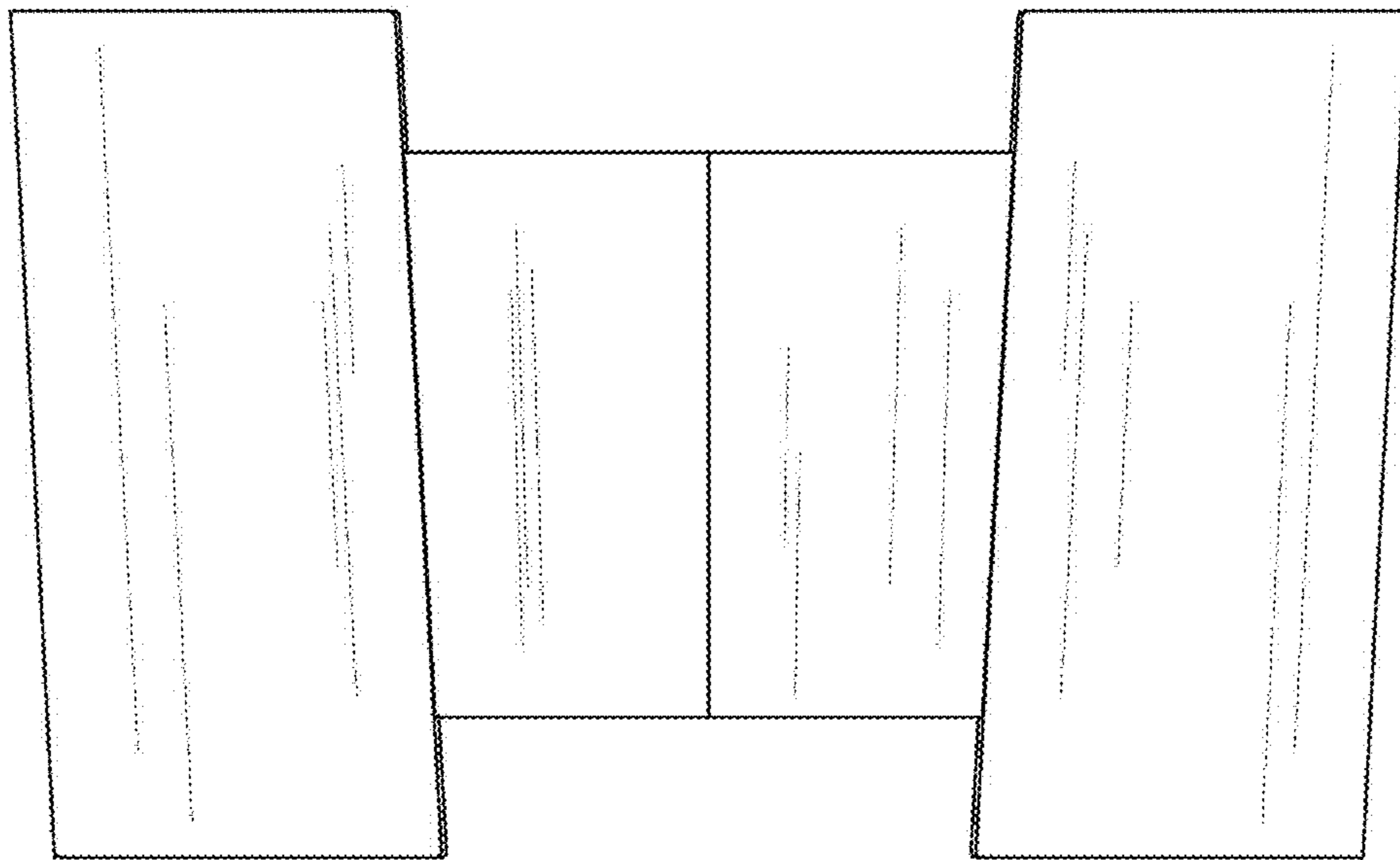


FIG. 4

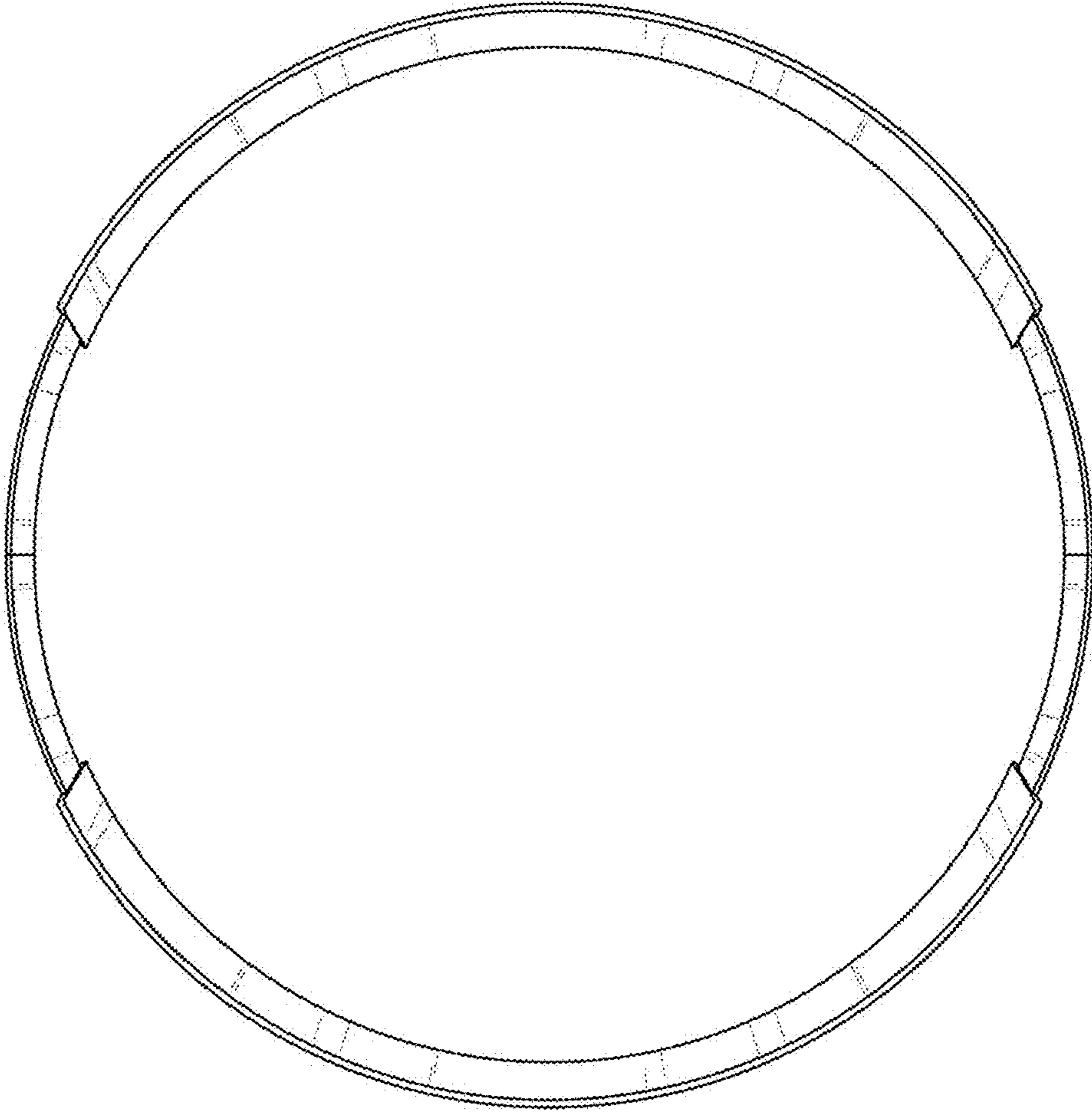


FIG. 5

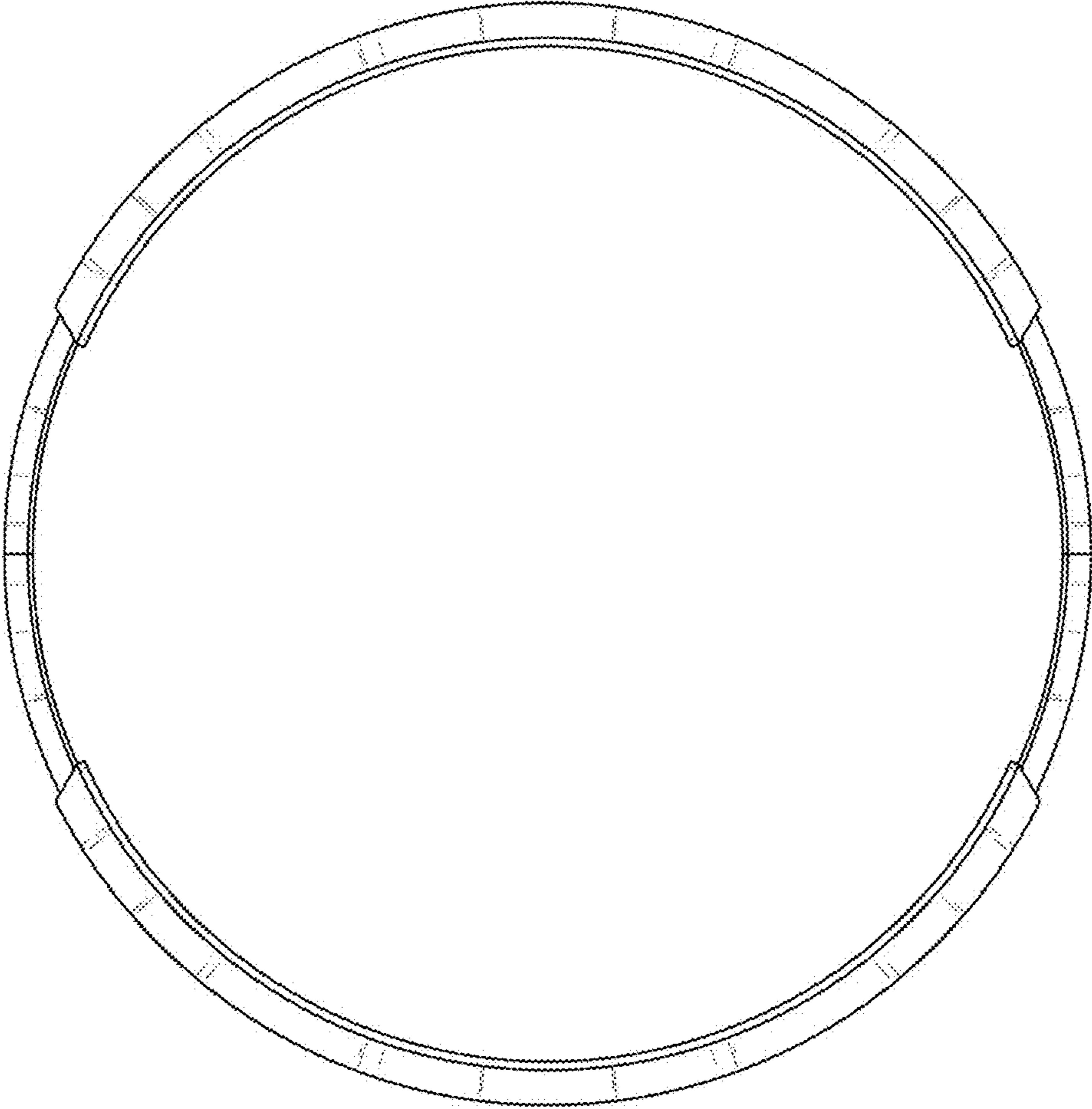


FIG. 6

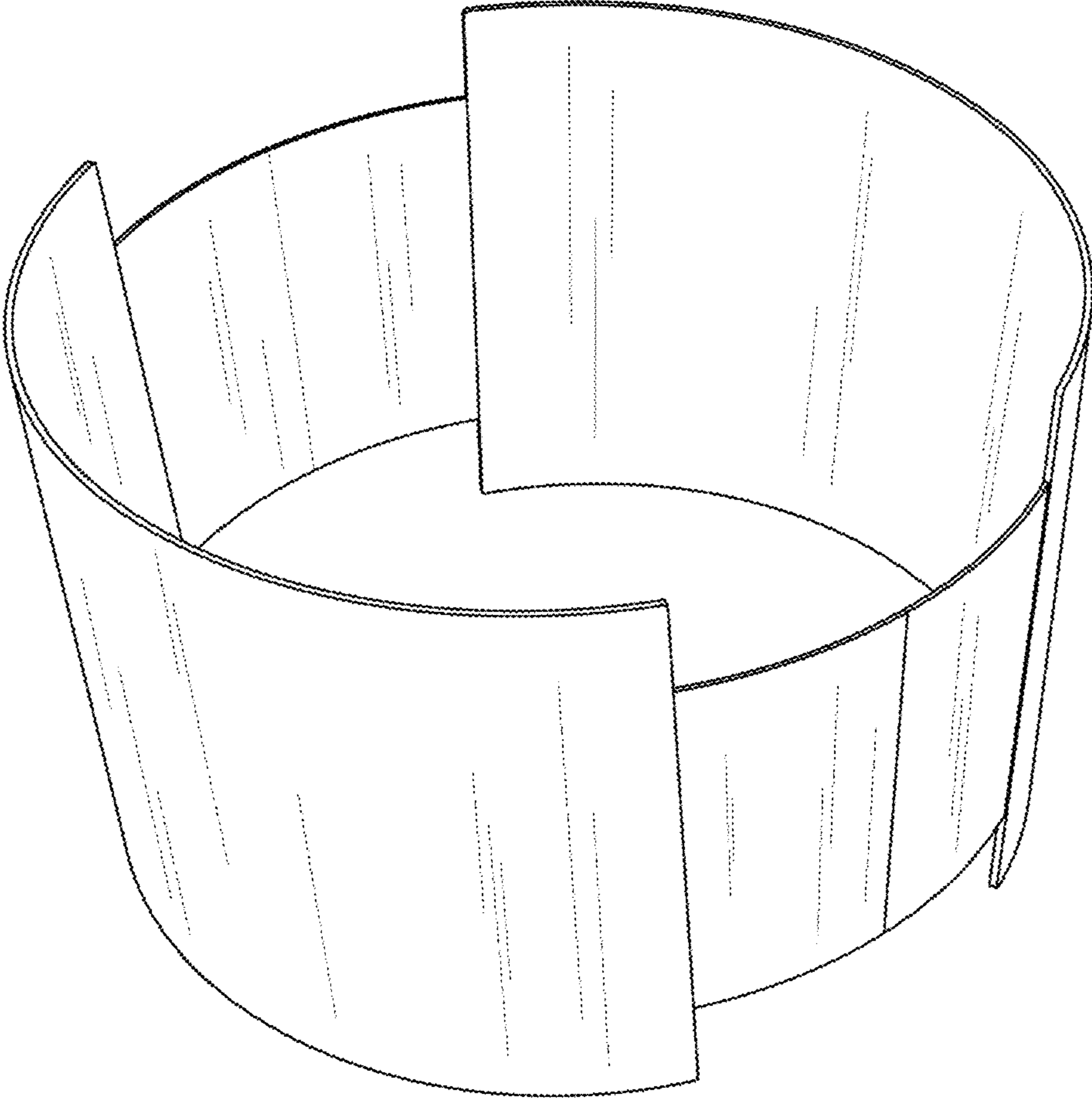


FIG. 7

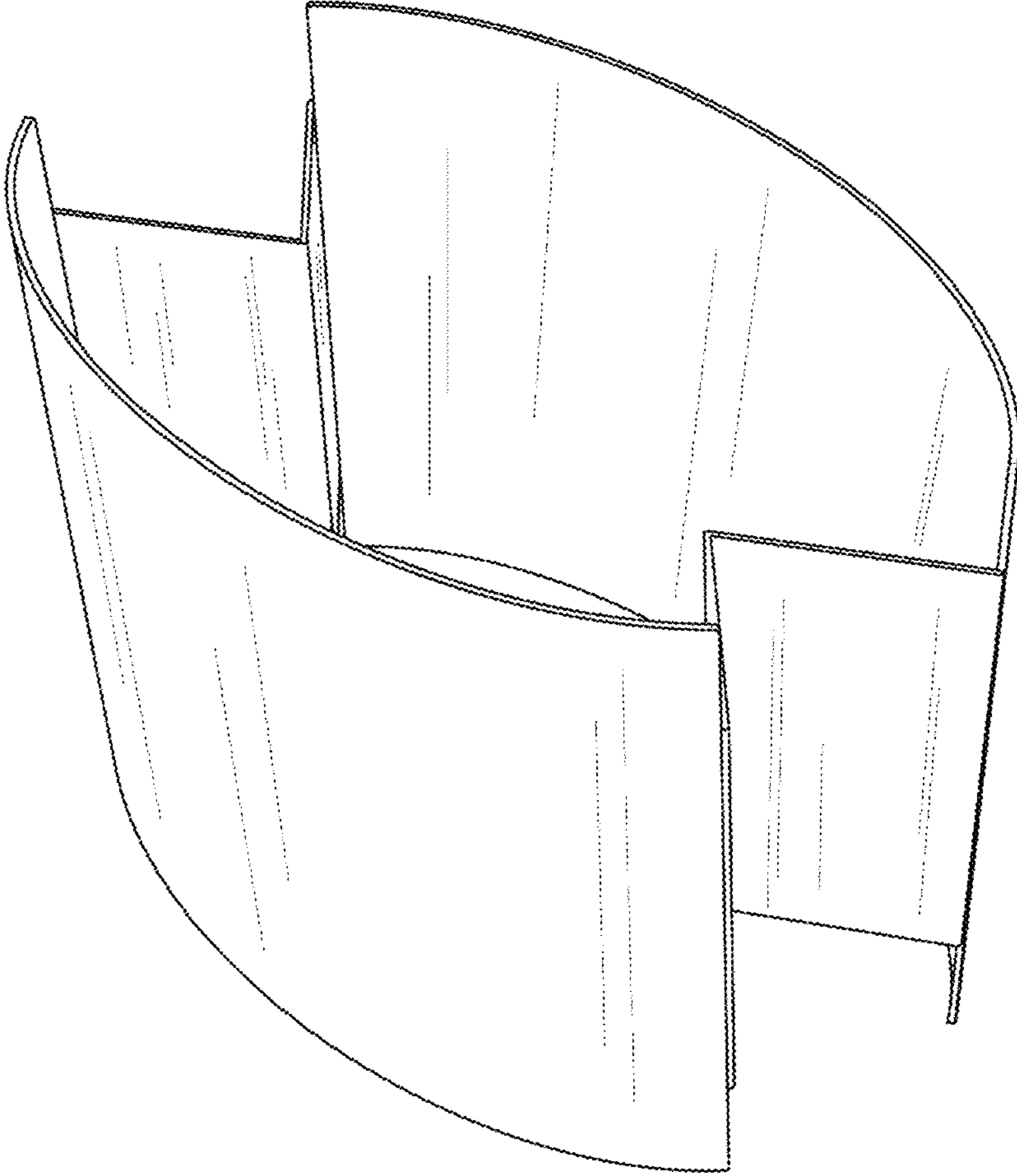


FIG. 8

