



US00D985336S

(12) **United States Design Patent** (10) **Patent No.:** **US D985,336 S**
Yan (45) **Date of Patent:** **** May 9, 2023**

(54) **INSULATED BAG**

OTHER PUBLICATIONS

(71) Applicant: **Shenzhen liupai Wangluo Keji Co., LTD**, Shenzhen (CN)
(72) Inventor: **Jie Yan**, Linshui County (CN)
(*) Notice: Patent file contains an affidavit/declaration under 37 CFR 1.130(b).
(**) Term: **15 Years**

Maelstrom Soft Cooler Bag, posted at Amazon.com on Sep. 21, 2021, [site visited Sep. 29, 2022]. Available from internet, URL: <https://www.amazon.com/dp/B09F7336W1/> (Year: 2021).*
(Continued)

Primary Examiner — Andrew Kerr
Assistant Examiner — Chariton Alexakis

(21) Appl. No.: **29/844,426**

(57) **CLAIM**

(22) Filed: **Jun. 29, 2022**

The ornamental design for an insulated bag, as shown and described.

(51) **LOC (14) Cl.** **07-10**

(52) **U.S. Cl.**

USPC **D7/607; D3/301**

(58) **Field of Classification Search**

USPC D7/601, 602, 605, 606, 607, 701, 709, D7/710; D3/201, 216, 217, 232, 233, D3/240, 267, 268, 273, 276, 283, 287, D3/289, 301, 303, 315, 318, 319, 321, D3/322, 323, 324, 325, 326, 327, 328
CPC A45C 1/00; A45C 3/00; A45C 7/0059; A45C 11/20; A45C 13/103; A45C 2003/007; A45C 2003/008; B65D 81/38; B65D 81/3813; B65D 81/3816; B65D 81/3818; B65D 81/382; B65D 81/3823; B65D 81/3825; B65D 81/3827; B65D 81/383; B65D 81/3832; B65D 81/3834; B65D 81/3848; B65D 81/3851; B65D 81/3853; B65D 81/3855; B65D 81/3858;

(Continued)

DESCRIPTION

FIG. 1 is a front and top perspective view of an insulated bag, showing my new design;
FIG. 2 is a rear and bottom perspective view thereof;
FIG. 3 is a front elevation view thereof;
FIG. 4 is a rear elevation view thereof;
FIG. 5 is a left side elevation view thereof;
FIG. 6 is a right side elevation view thereof;
FIG. 7 is a top plan view thereof;
FIG. 8 is a bottom plan view thereof;
FIG. 9 is an enlarged view of a portion indicated with numeric 9 in FIG. 1;
FIG. 10 is an enlarged view of a portion indicated with numeric 10 in FIG. 1;
FIG. 11 is an enlarged view of a portion indicated with numeric 11 in FIG. 2;
FIG. 12 is an enlarged view of a portion indicated with numeric 12 in FIG. 2; and,
FIG. 13 is an enlarged view of a portion indicated with numeric 13 in FIG. 2.

The dashed lines in the figures illustrate portions of the insulated bag that form no part of the claimed design. The dash dot dash lines in FIGS. 1, 2, 9, 10, 11, 12 and 13 are for the purpose of depicting the boundary lines of the enlarged views and form no part of the claimed design.

(56) **References Cited**

U.S. PATENT DOCUMENTS

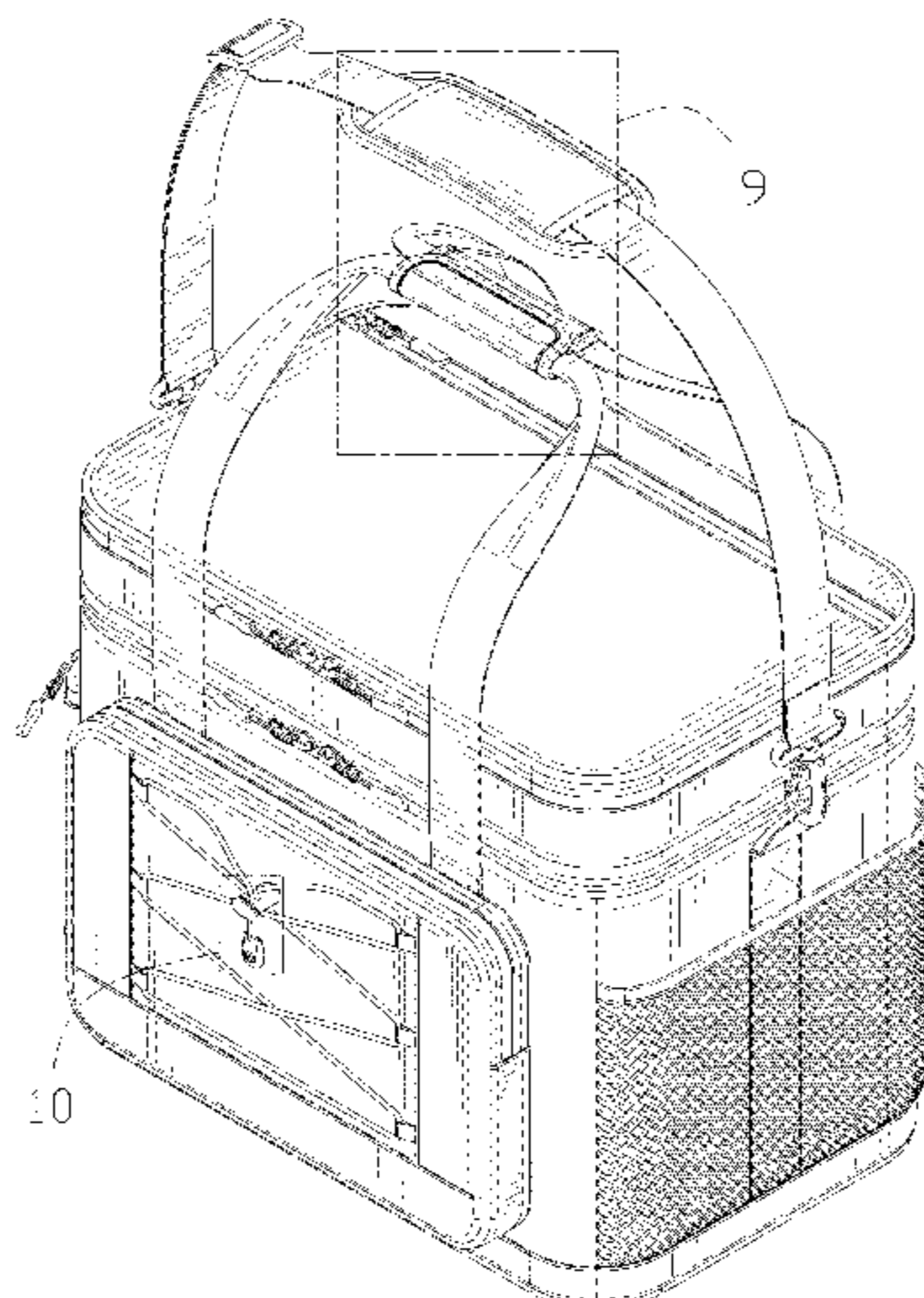
D371,052 S * 6/1996 Melk D7/607
D464,235 S * 10/2002 Jeong D3/289

(Continued)

FOREIGN PATENT DOCUMENTS

CN 307091004 * 2/2022

1 Claim, 13 Drawing Sheets



(58) **Field of Classification Search**

CPC B65D 81/386; B65D 81/3862; B65D
81/3874; F25D 3/02; F25D 3/08; F25D
3/14; F25D 3/107; F25D 2331/80; F25D
2331/801; F25D 2331/804

See application file for complete search history.

(56)

References Cited

U.S. PATENT DOCUMENTS

D465,134 S	*	11/2002	Joss	D3/289
D648,533 S	*	11/2011	Sosnovsky	D3/289
D835,949 S	*	12/2018	Triska	D7/607
D835,950 S	*	12/2018	Jacobsen	D7/607
D867,823 S	*	11/2019	Jacobsen	D3/216
D871,854 S	*	1/2020	Vickery	D7/607
D880,858 S	*	4/2020	Wang	D3/287
D881,655 S	*	4/2020	Jacobsen	D7/607
D893,183 S	*	8/2020	Eisenhardt	D3/289
D894,692 S	*	9/2020	Herold	D7/607

D907,969 S		1/2021	Sullivan et al.		
D959,919 S	*	8/2022	Wang	F25D 31/002 D7/607
D964,123 S	*	9/2022	Peng	A45C 11/20 D7/709
D964,125 S	*	9/2022	Peng	A45C 7/0077 D7/709
2005/0103044	A1*	5/2005	Mogil	A45C 11/20 220/592.2
2017/0008688	A1*	1/2017	Barattin	A45C 7/0077
2019/0170422	A1*	6/2019	Dexter	F25D 31/002
2021/0348825	A1*	11/2021	Herold	F25D 3/08
2021/0387790	A1*	12/2021	Yagi	B65D 33/24

OTHER PUBLICATIONS

SumeStat Insulated Lunch Bag, posted at Amazon.com on Mar. 18, 2022, [site visited Sep. 29, 2022]. Available from internet, URL: <<https://www.amazon.com/dp/B09VXWY7DM/?th=1>> (Year: 2022).*

* cited by examiner

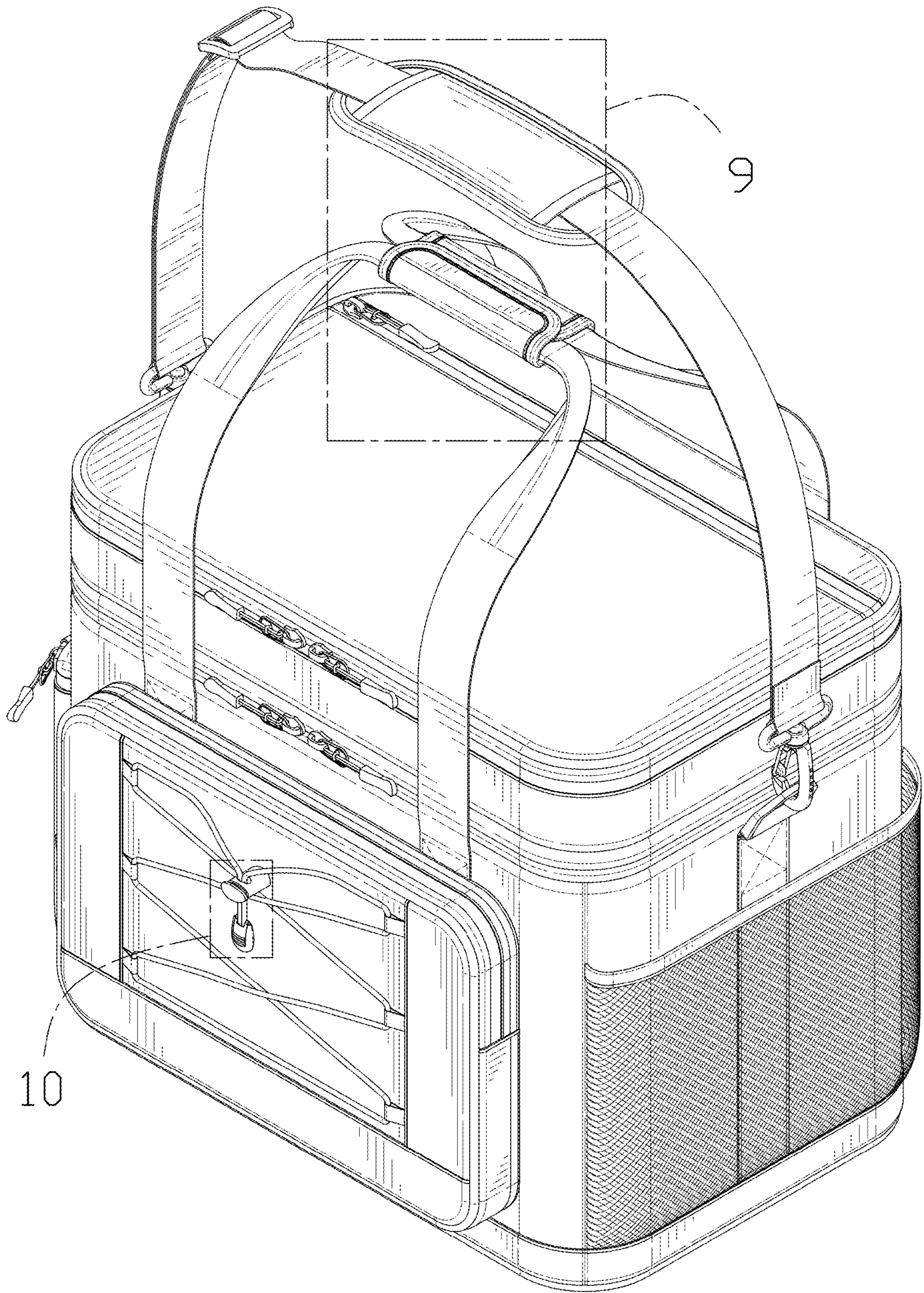


FIG. 1

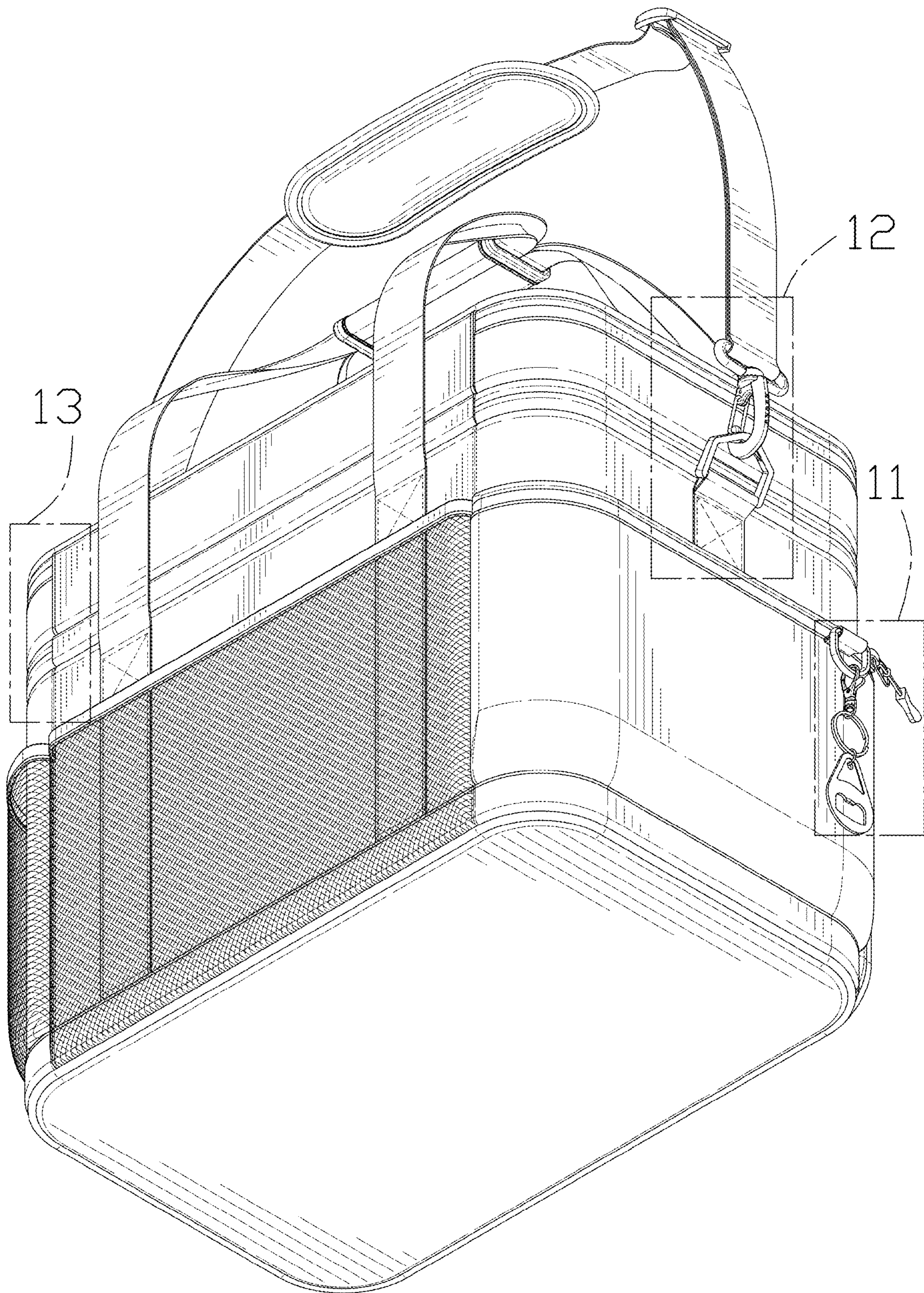


FIG. 2

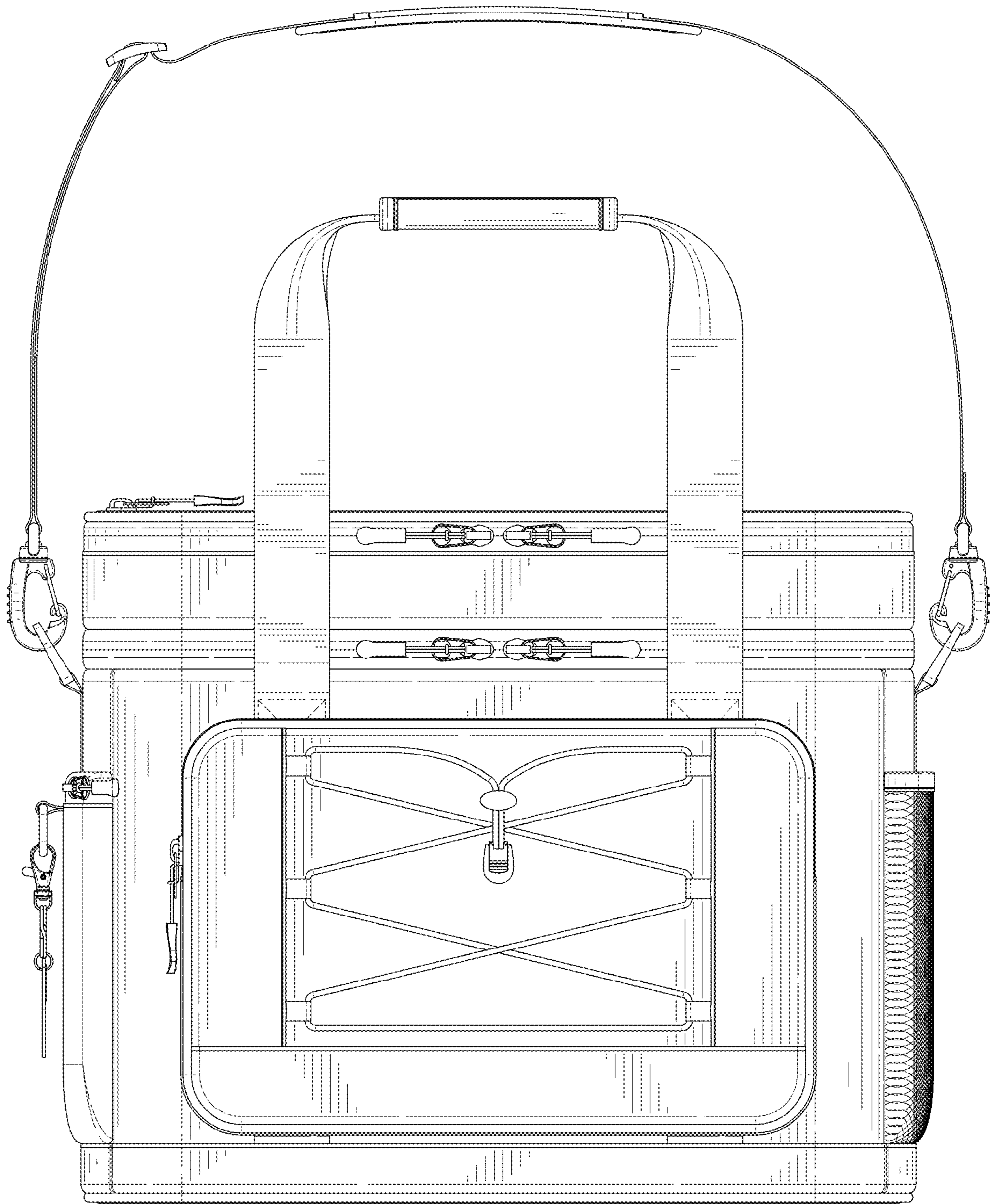


FIG. 3

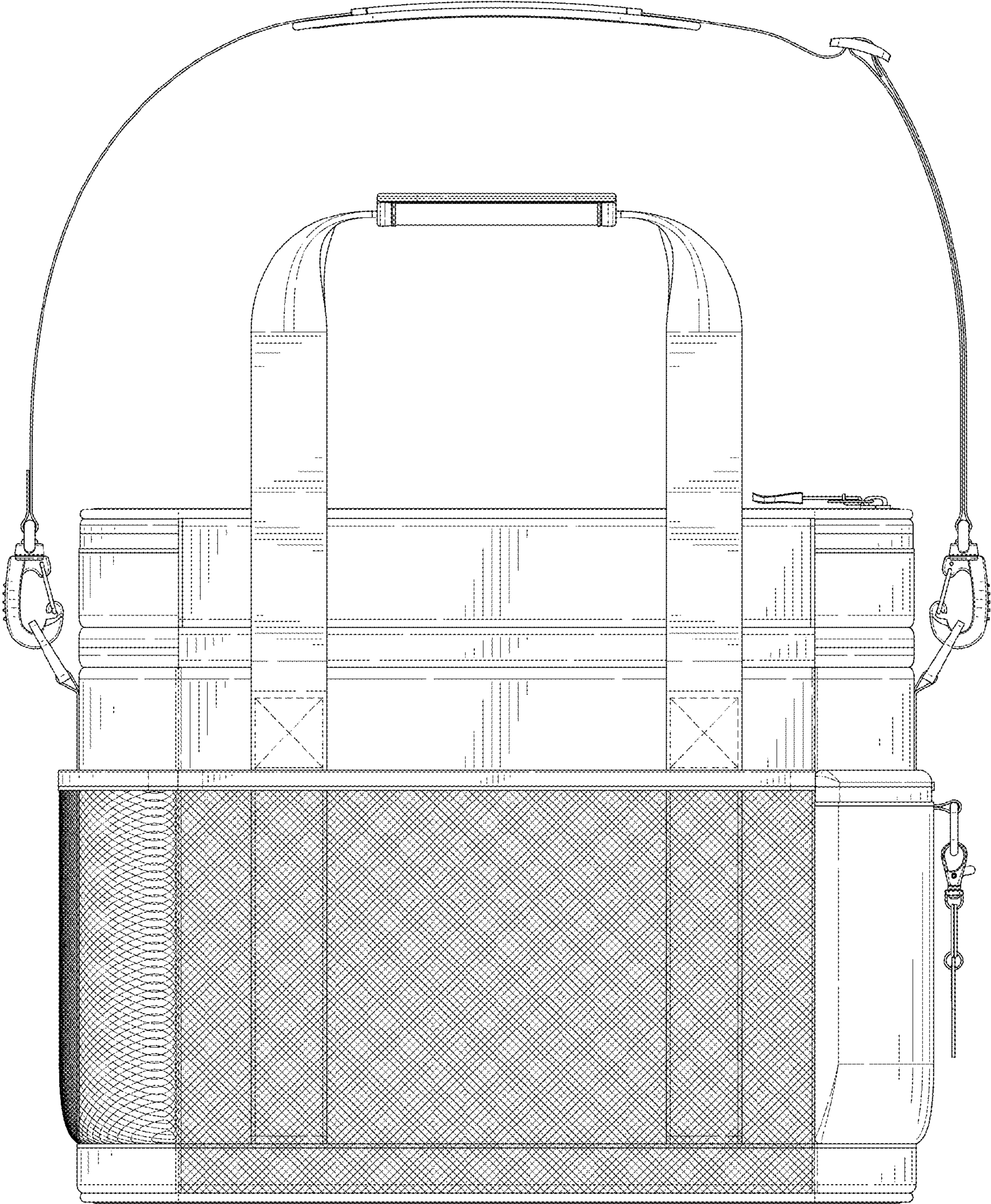


FIG. 4

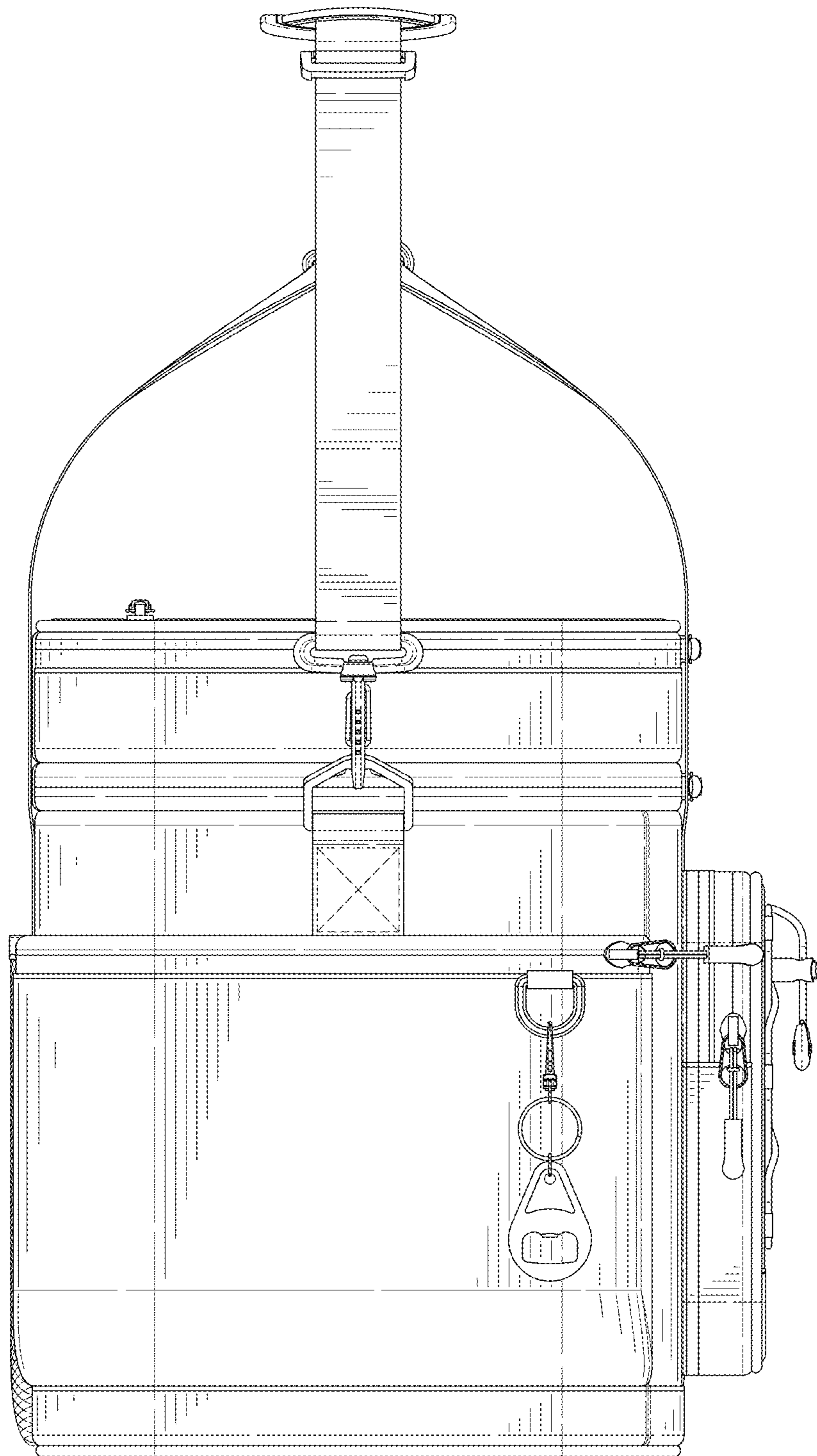


FIG. 5

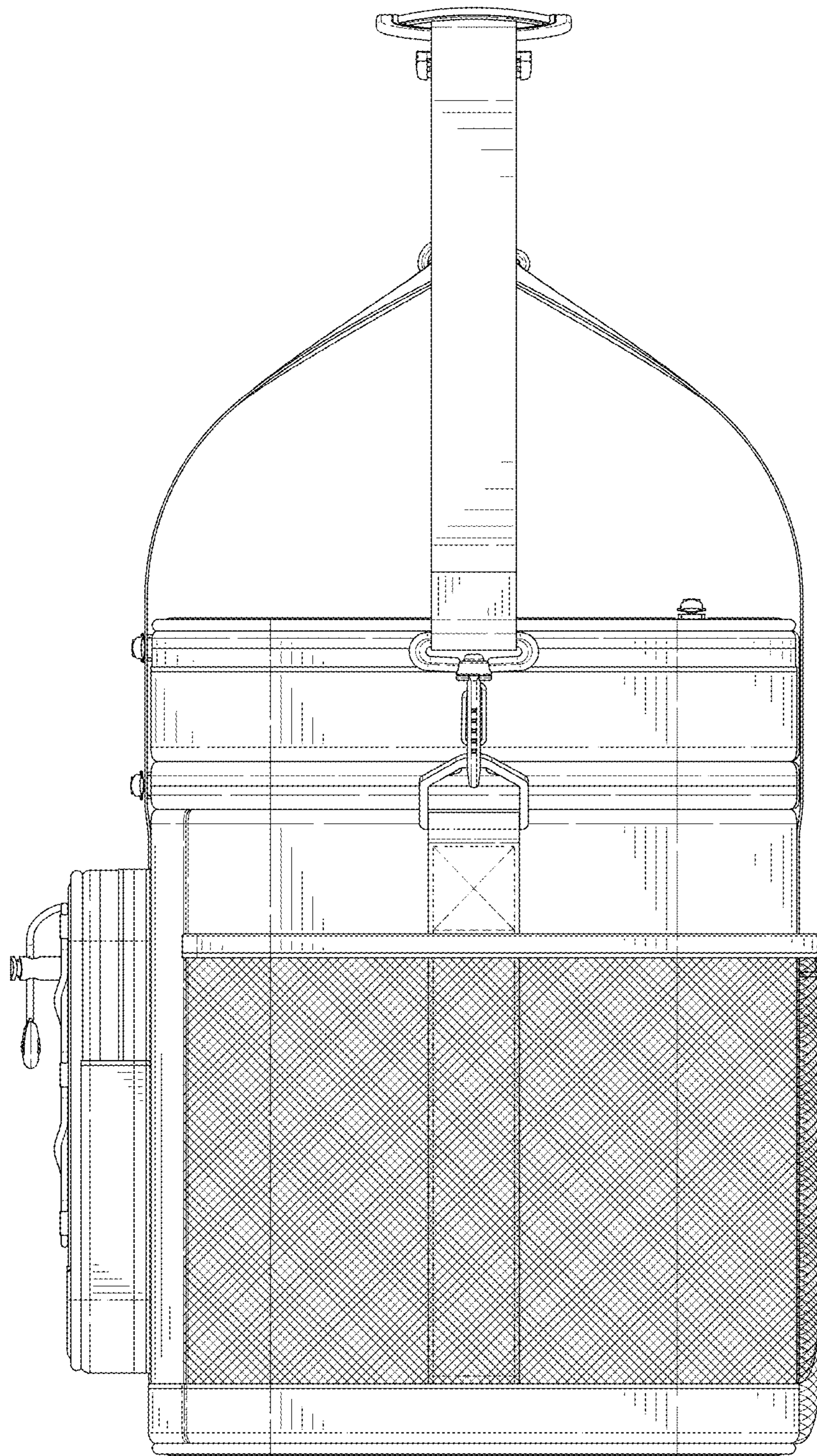


FIG. 6

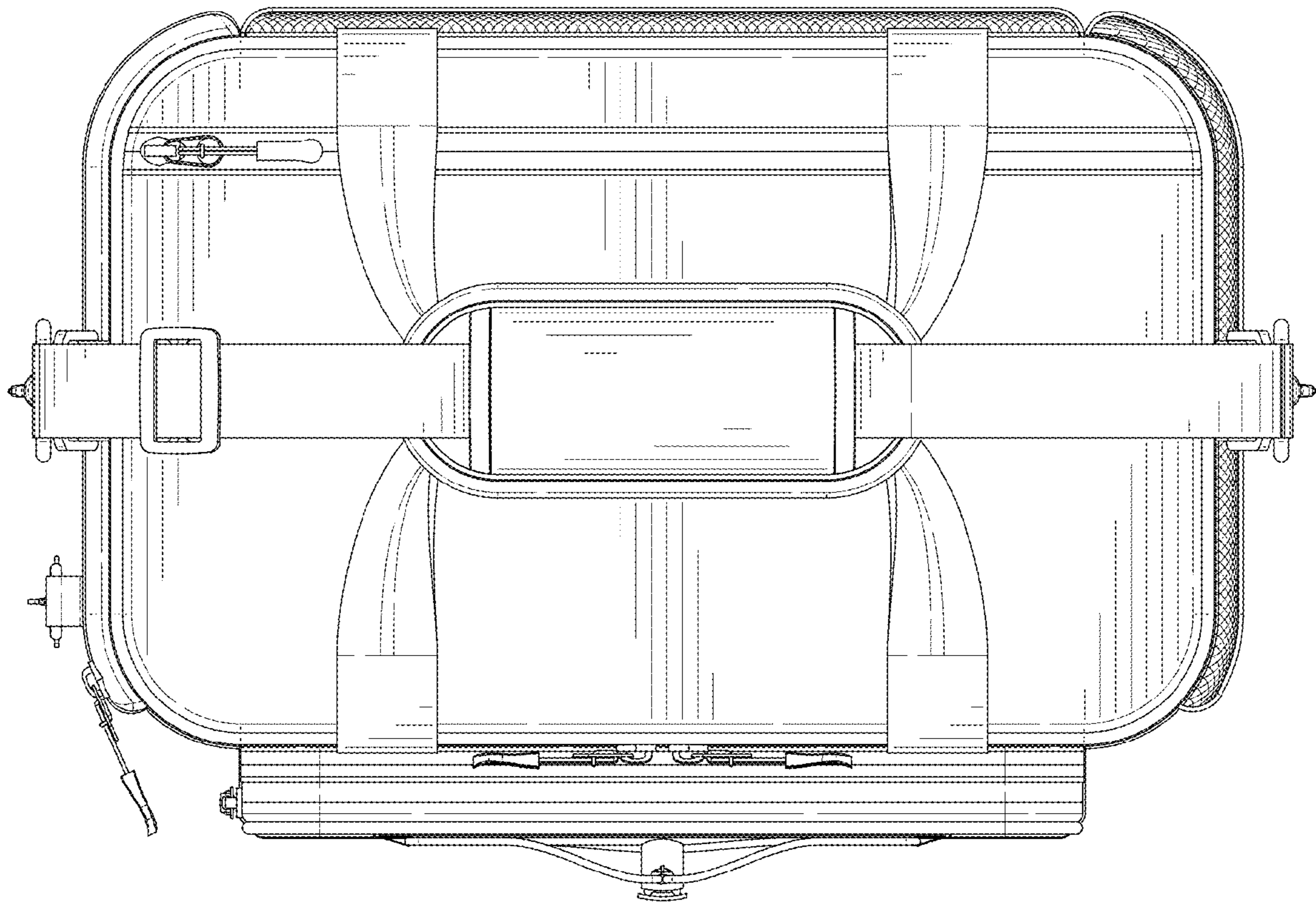


FIG. 7

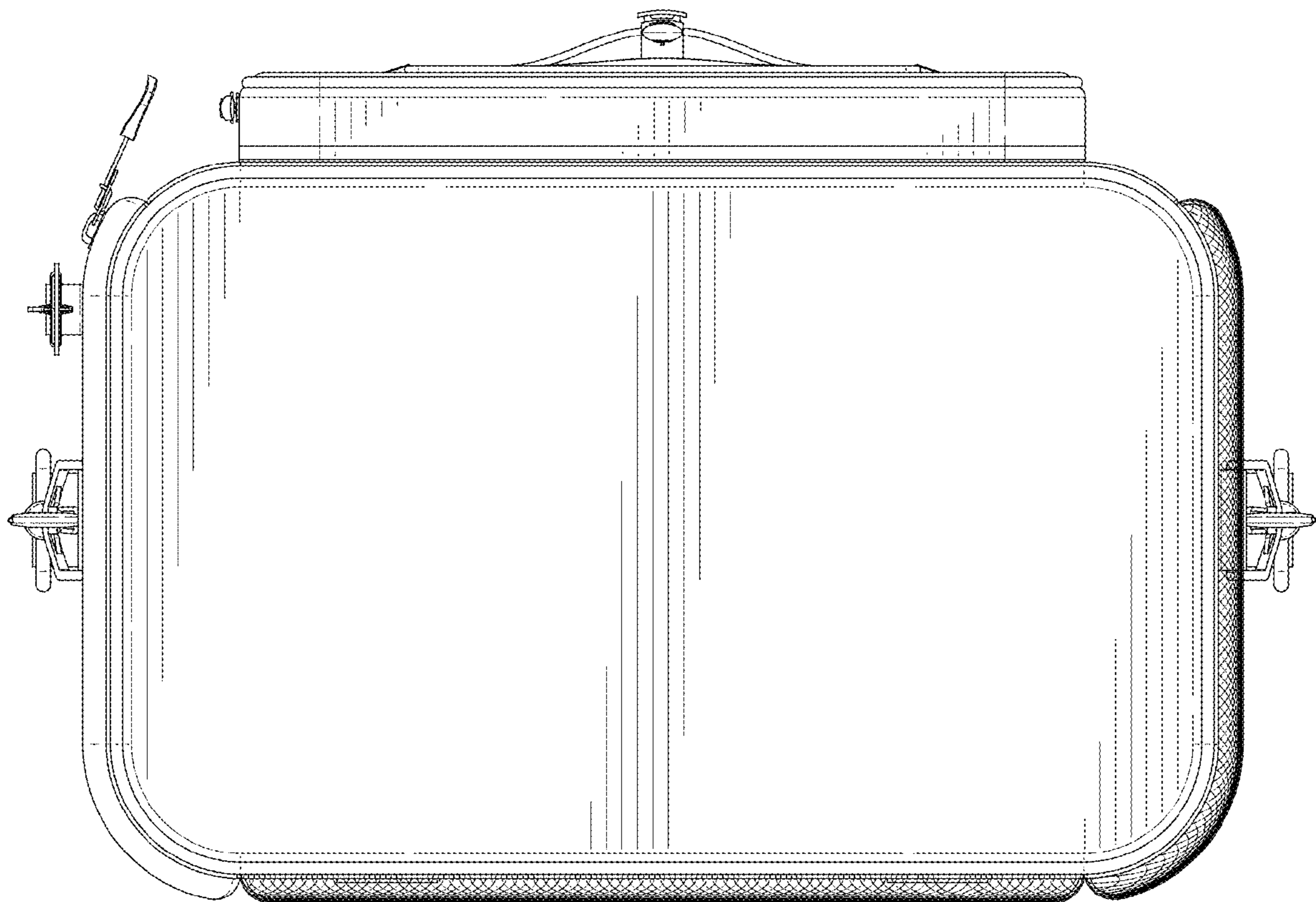


FIG. 8

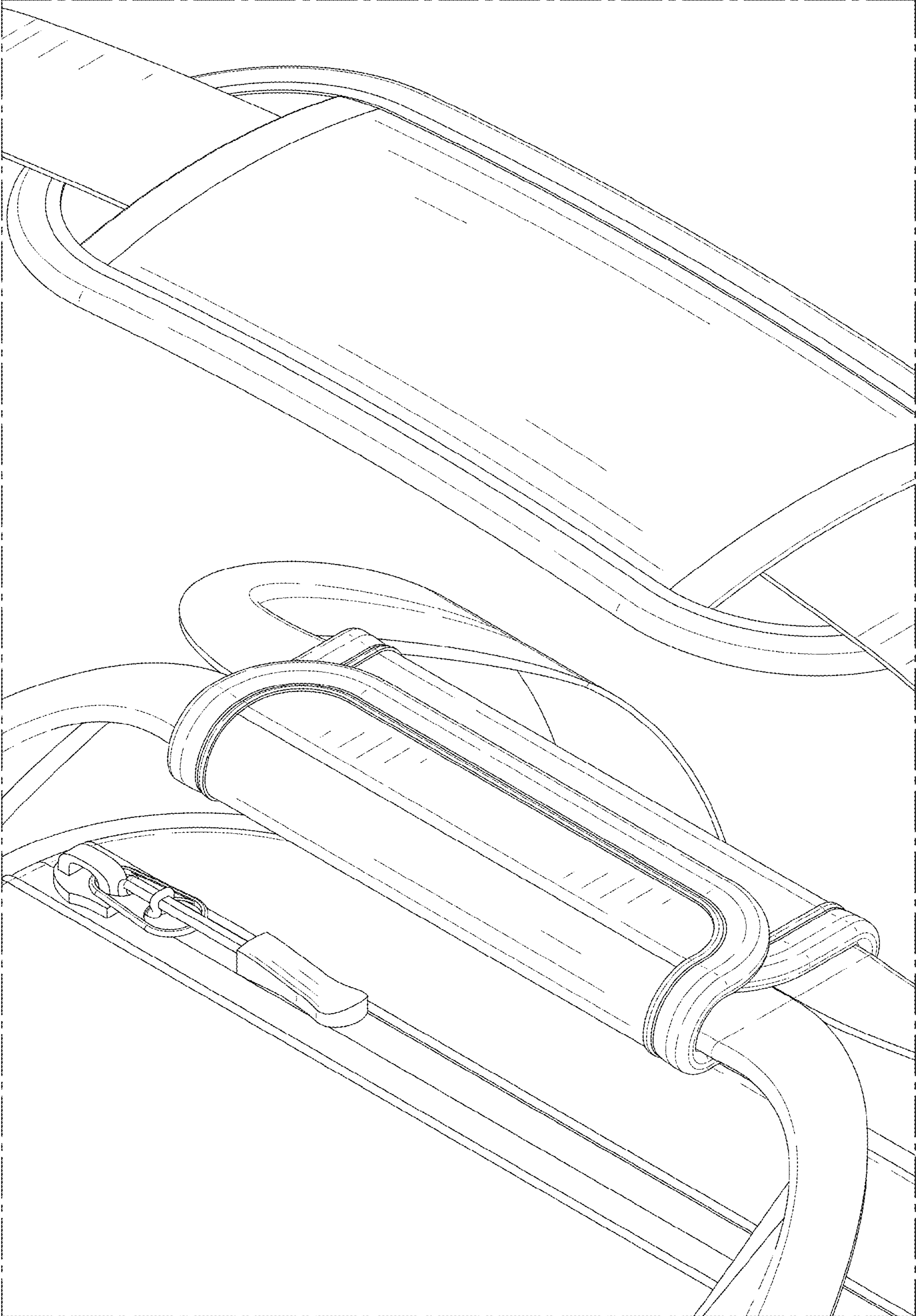


FIG. 9

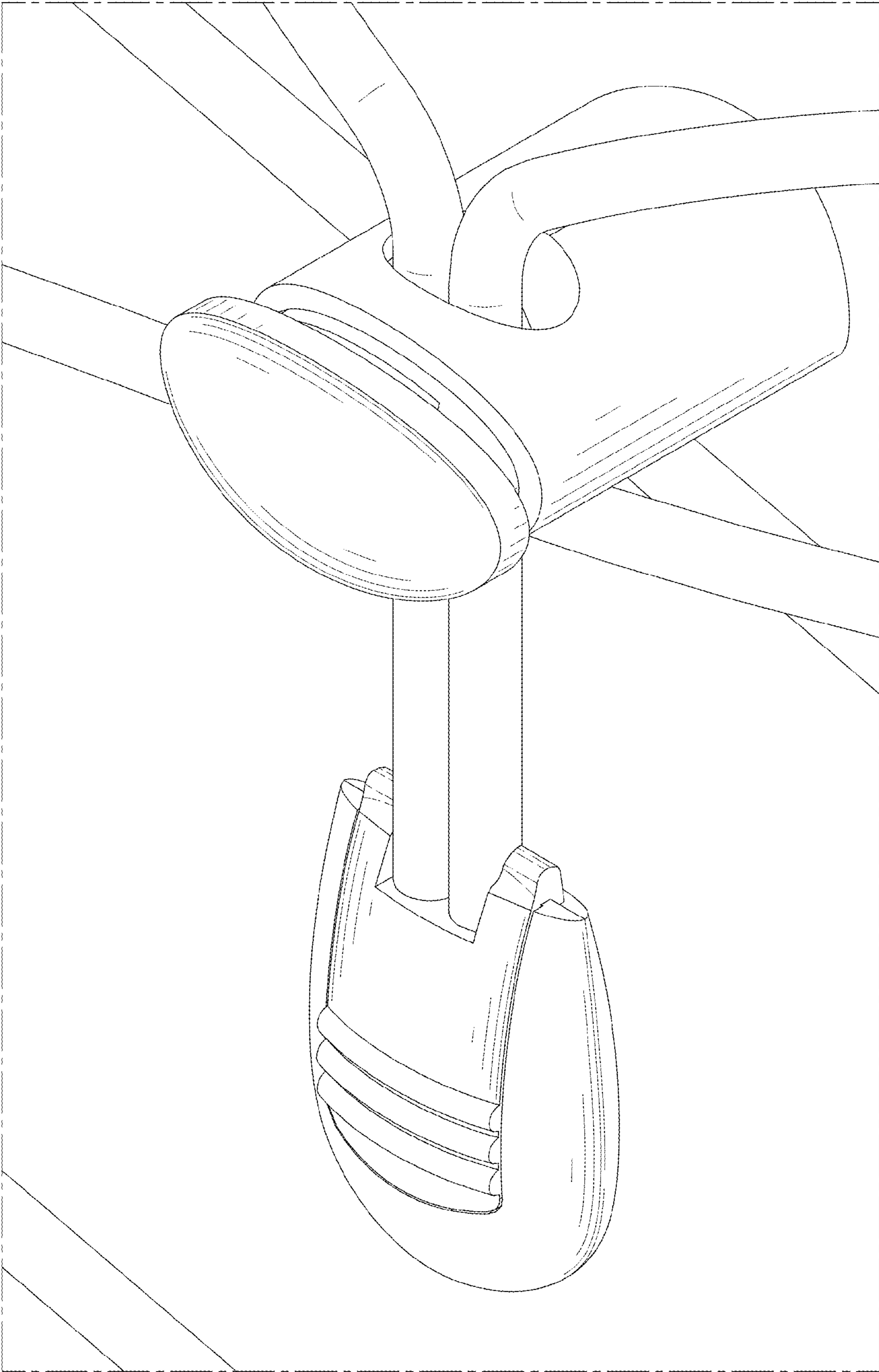


FIG. 10

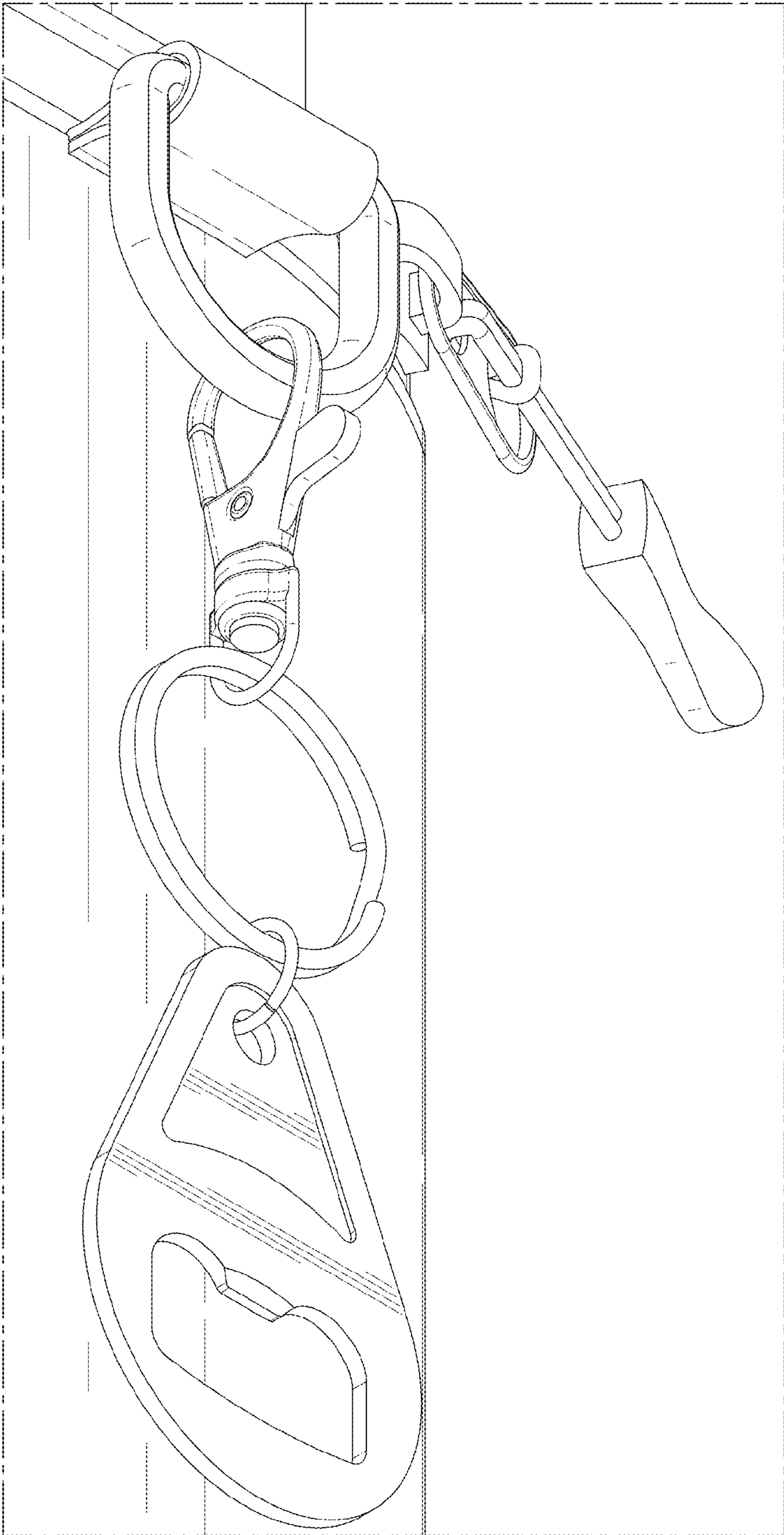


FIG. 11

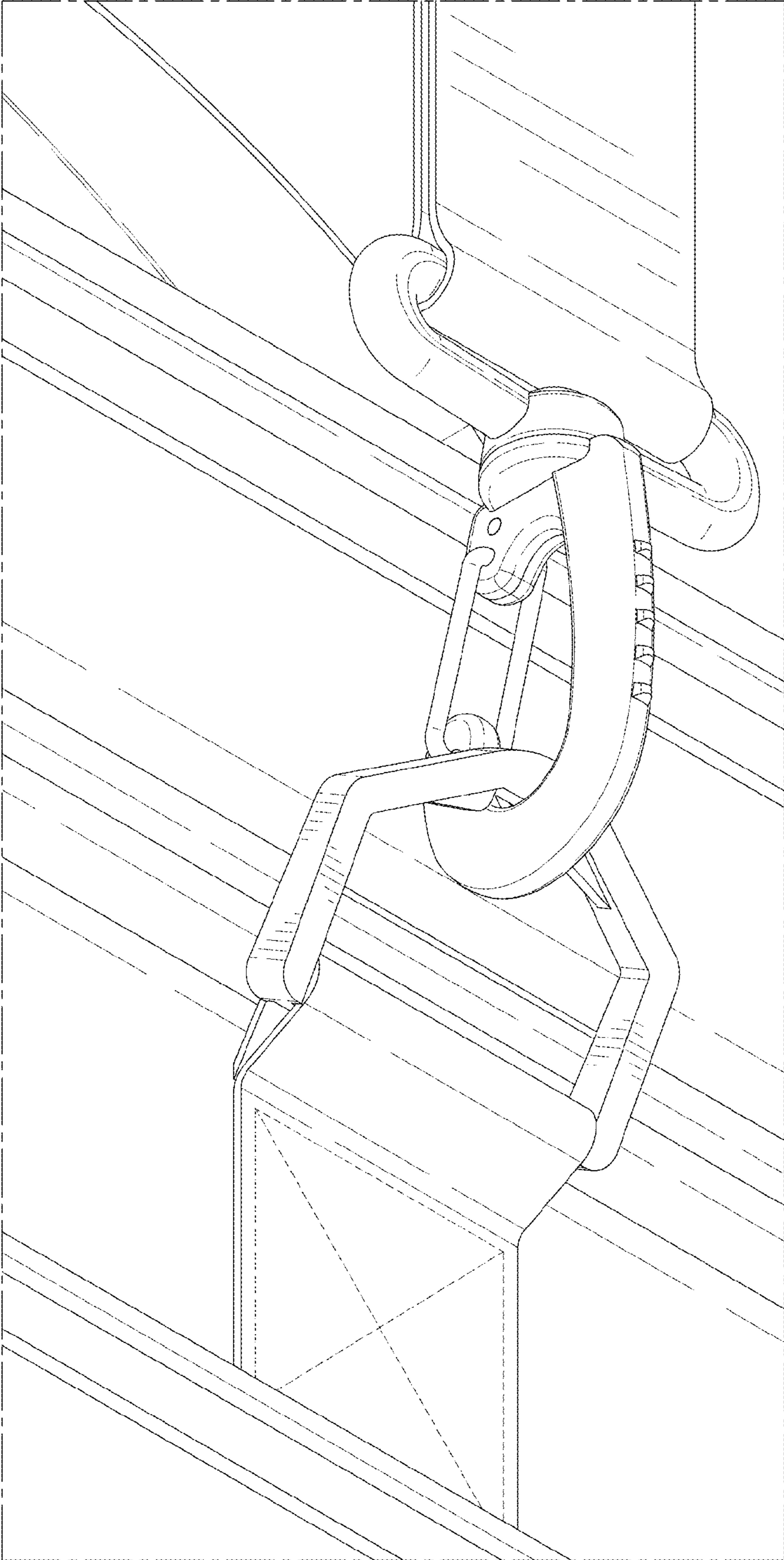


FIG. 12

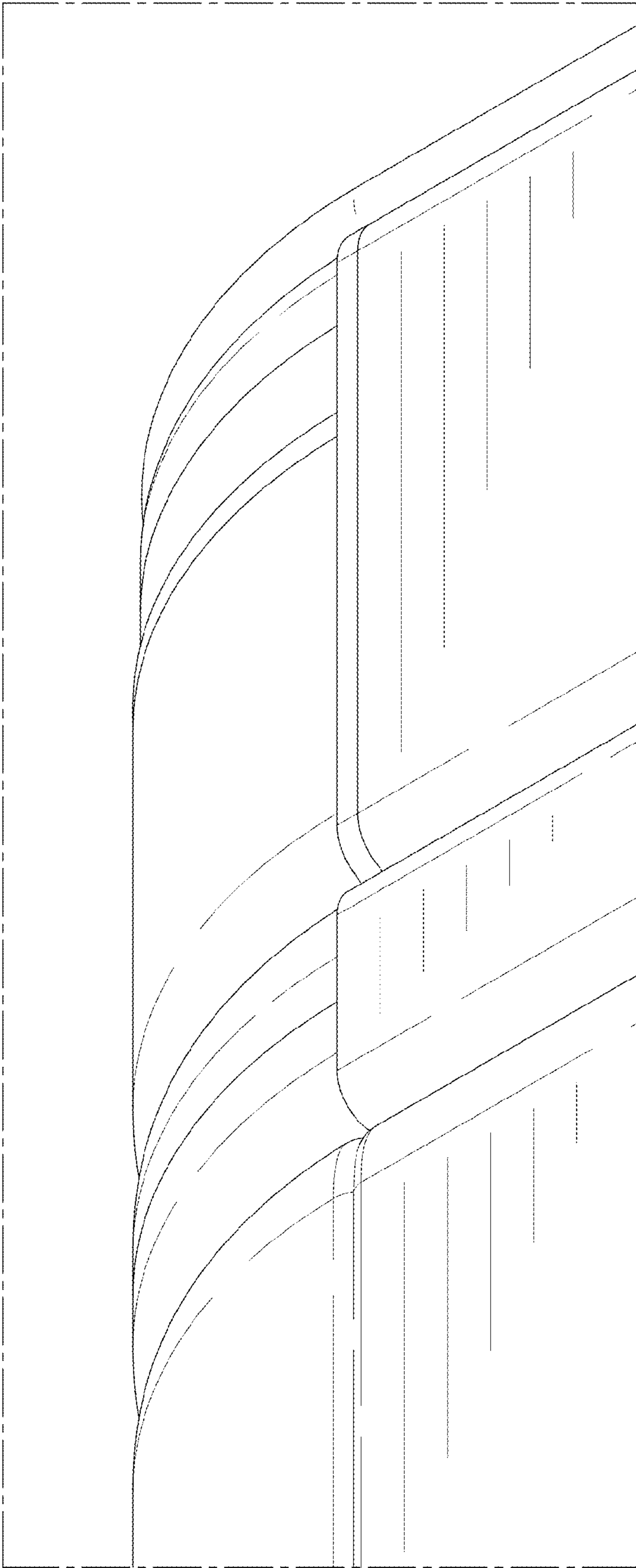


FIG. 13