



US00D985335S

(12) **United States Design Patent** (10) **Patent No.:** **US D985,335 S**
Louis (45) **Date of Patent:** **** May 9, 2023**

(54) **SPICE RACK**
(71) Applicant: **Alain Louis**, Hamden, CT (US)
(72) Inventor: **Alain Louis**, Hamden, CT (US)
(**) Term: **15 Years**
(21) Appl. No.: **29/780,263**
(22) Filed: **Apr. 23, 2021**
(51) **LOC (14) Cl.** **07-09**
(52) **U.S. Cl.**
USPC **D7/600.1**
(58) **Field of Classification Search**
USPC ... D7/590, 600.1–600.4, 601, 602, 632, 637,
D7/701–704, 707, 708; D6/566, 567,
D6/675, 675.5, 705, 705.6; D32/55, 56
CPC A47B 47/045; A47B 55/02; A47B 57/581;
A47B 77/04; A47B 77/14; A47B 77/16;
A47B 77/18; A47B 96/02; A47B 96/021;
A47J 47/00; A47J 47/16
See application file for complete search history.

(56) **References Cited**

U.S. PATENT DOCUMENTS

D255,187 S 6/1980 Hager
D354,875 S 1/1995 Scott, Sr.
D372,847 S 8/1996 Sparks
5,711,288 A 1/1998 Sparks
D397,898 S 9/1998 Walters-Dowding et al.
D406,218 S 3/1999 Schneider
D568,116 S * 5/2008 Goodman D7/600.4
D599,580 S * 9/2009 Whittier D6/705.6
D630,813 S * 1/2011 Molayem D32/55
D658,010 S 4/2012 Chen
D677,530 S 3/2013 Goodman et al.
D724,357 S * 3/2015 Lim A47B 47/045
D6/675.1
D747,629 S * 1/2016 Goodman D7/600.4

D760,033 S * 6/2016 Khaitan D7/600.4
D873,081 S * 1/2020 Goodman D7/600.1
D880,949 S * 4/2020 Repko D7/600.4
D904,127 S * 12/2020 Song D7/600.1
D913,753 S * 3/2021 Zheng D7/600.1
D923,421 S * 6/2021 Cui D7/600.4
D923,422 S * 6/2021 Xu A47B 47/045
D7/600.4
D968,903 S * 11/2022 Sabounjian D7/600.4

OTHER PUBLICATIONS

Home Essentials 3 Tier Spice Rack, Yuppief Chef, [online], [site visited Dec. 9, 2022], Available from internet URL: <https://www.yuppiefchef.com/home-essentials.htm?id=16470&name=Home-Essentials-3-Tier-Spice-Rack> (Year: 2022).*

* cited by examiner

Primary Examiner — Mary Ann Calabrese
Assistant Examiner — Natalya M Rapundalo
(74) *Attorney, Agent, or Firm* — Cramer Patent & Design, PLLC; Aaron R. Cramer

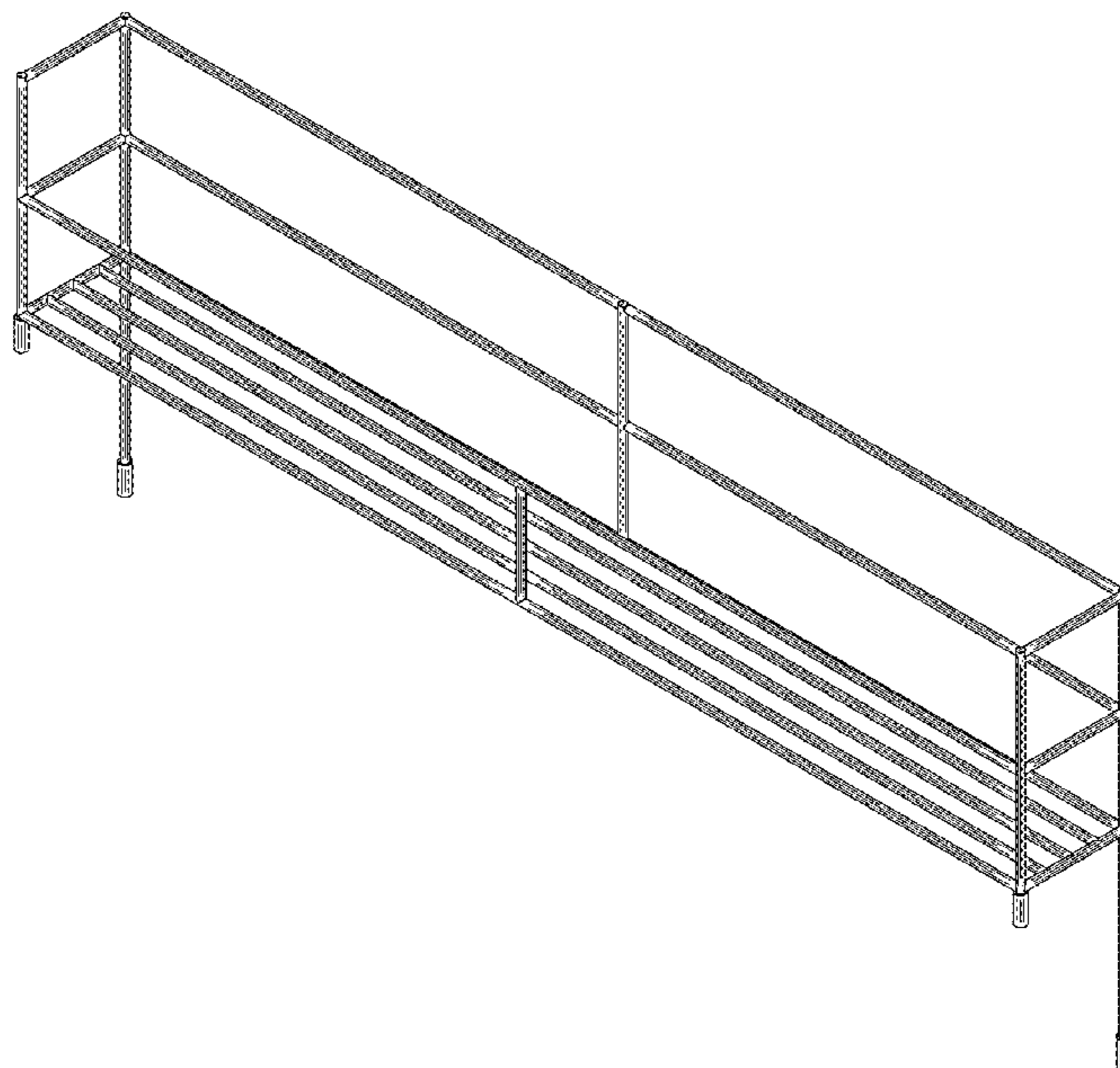
(57) **CLAIM**

The ornamental design for a spice rack, as shown and described.

DESCRIPTION

FIG. 1 is a perspective top front right view of the spice rack, showing my new design;
FIG. 2 is a perspective top rear left view thereof;
FIG. 3 is a front elevation view thereof;
FIG. 4 is a rear elevation view thereof;
FIG. 5 is a right elevation view thereof;
FIG. 6 is a left elevation view thereof;
FIG. 7 is a top plan view thereof; and,
FIG. 8 is a bottom plan view thereof.

1 Claim, 6 Drawing Sheets



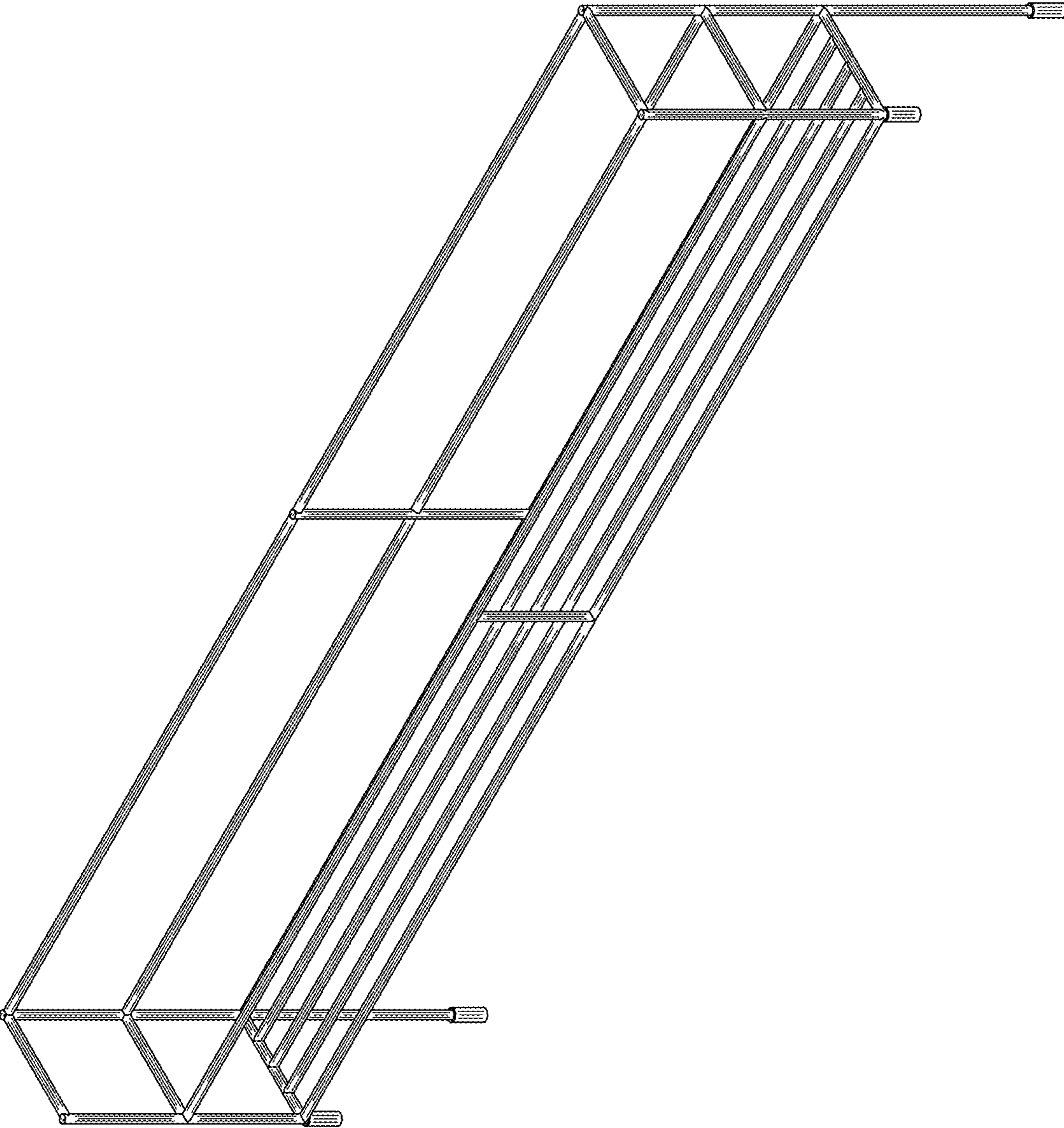


FIG. 1

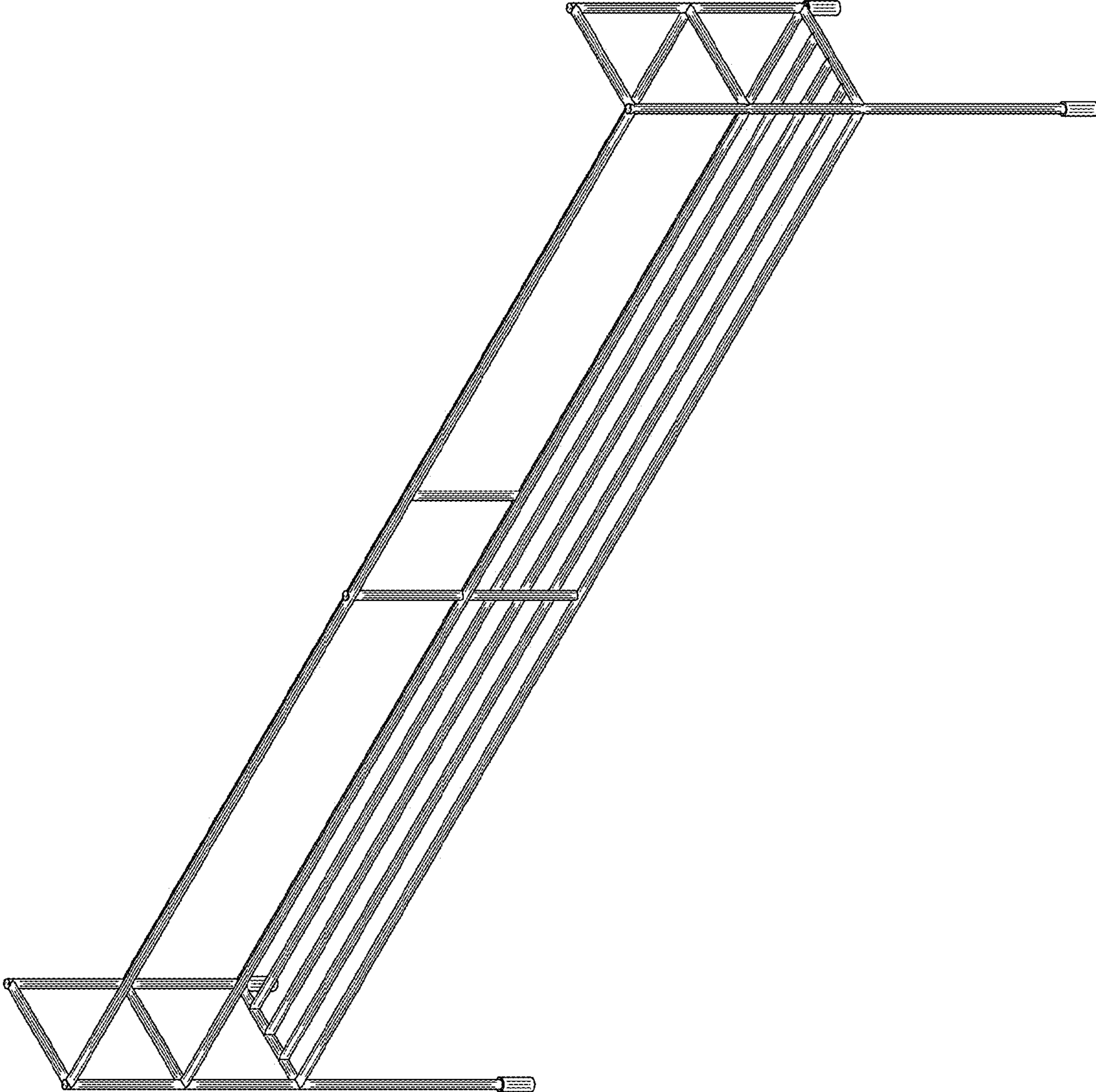


FIG. 2

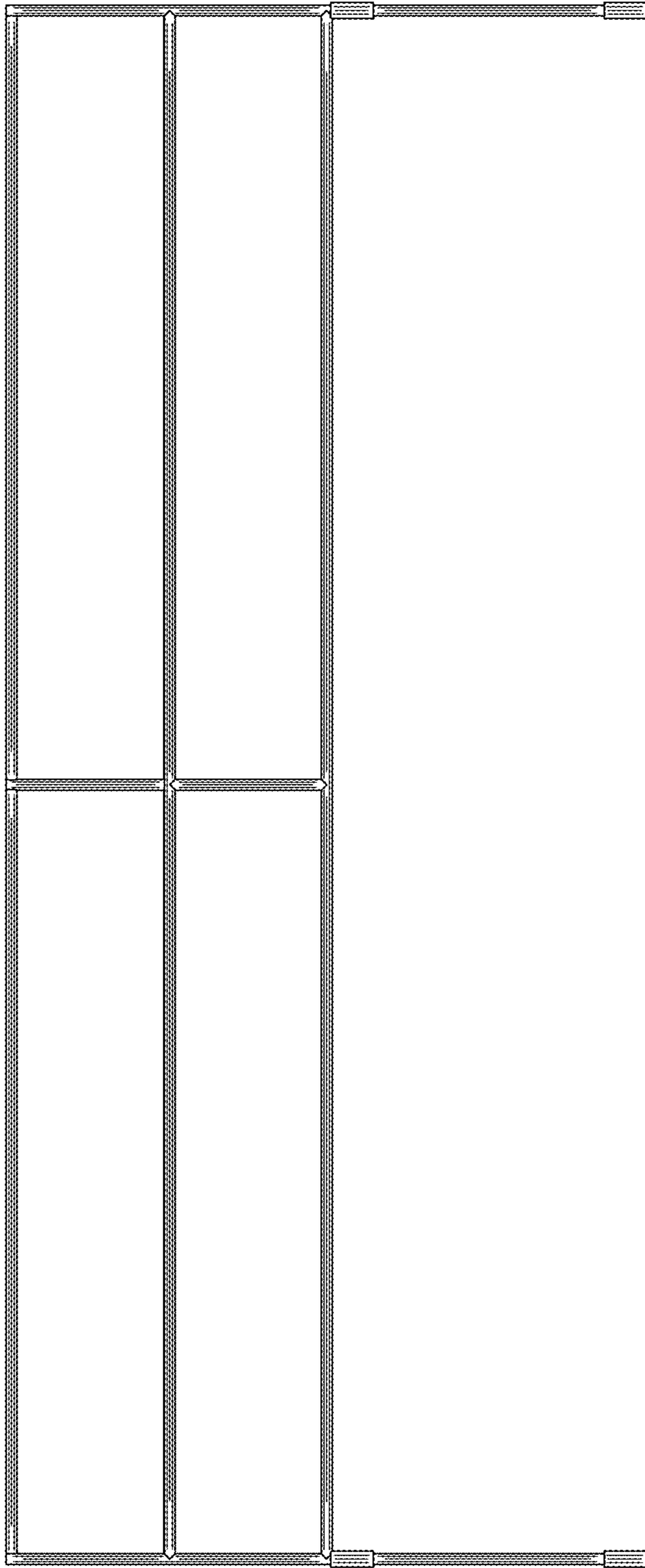


FIG. 3

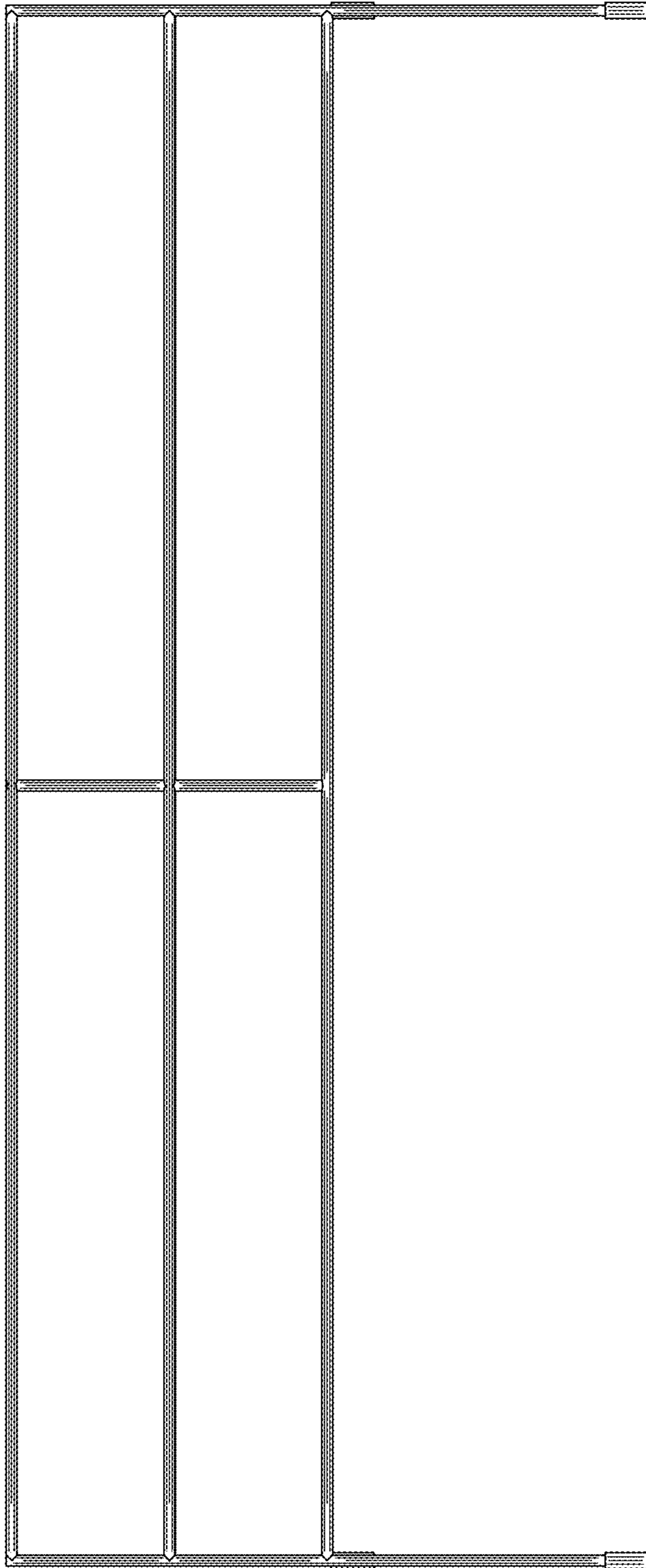


FIG. 4

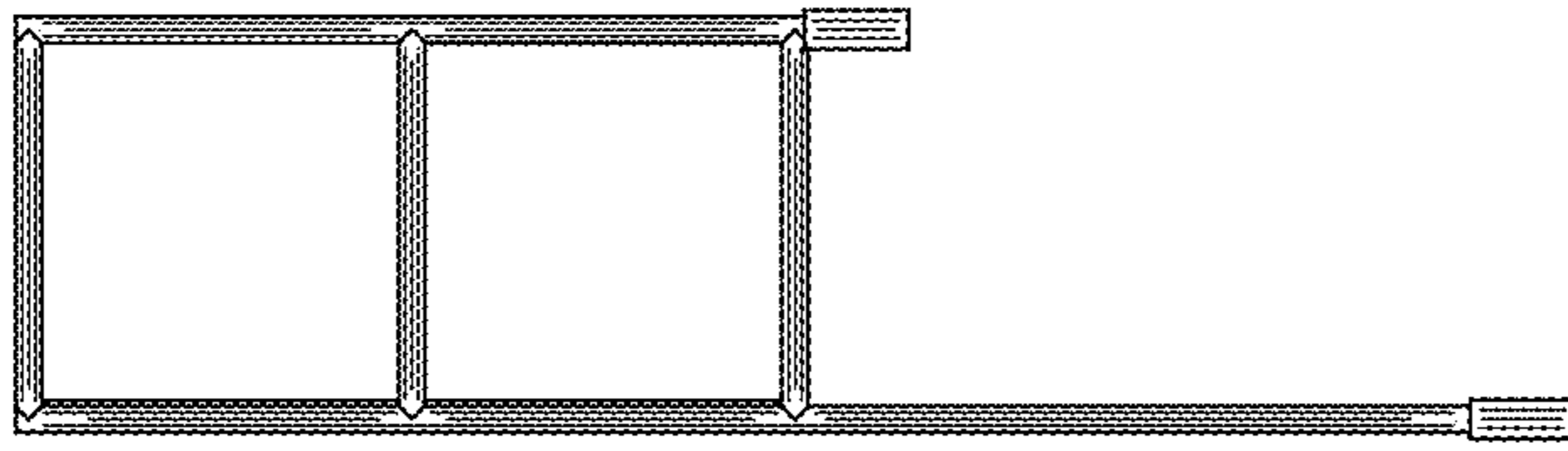


FIG. 6

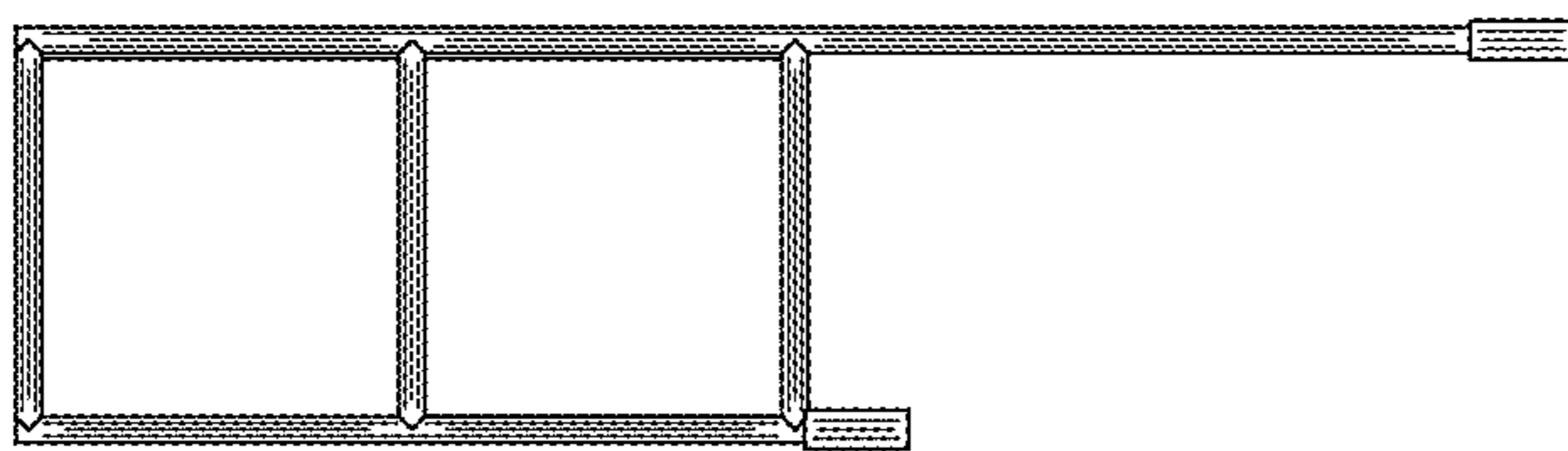


FIG. 5

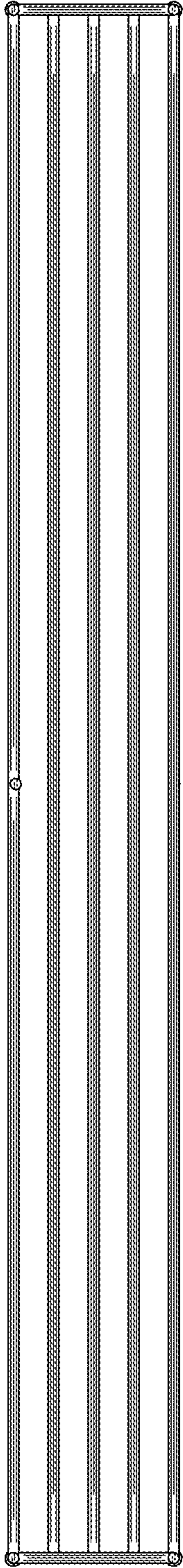


FIG. 7

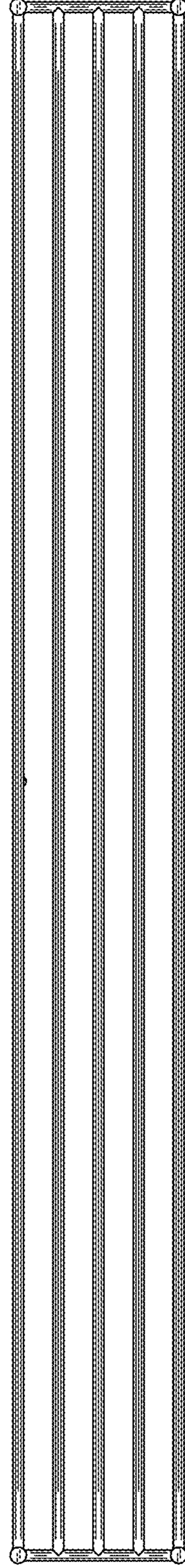


FIG. 8