



US00D985334S

(12) **United States Design Patent** (10) **Patent No.:** **US D985,334 S**  
**Proulx et al.** (45) **Date of Patent:** **\*\* May 9, 2023**

(54) **NESTED BOWL FOR A MICRO PUREE MACHINE**

4/142; B02C 4/143; B02C 4/423; B02C 13/1835; B28C 5/10; B28C 5/12; B28C 5/14; B28C 5/16

(71) Applicant: **SharkNinja Operating LLC**,  
Needham, MA (US)

See application file for complete search history.

(72) Inventors: **Jared James Proulx**, Northborough, MA (US); **Christopher William Hedges**, Needham, MA (US); **Pierce James Barnard**, Burradoo (AU); **Ming Li Shi**, Dong Guan (CN); **Xu Sheng Deng**, HuiZhou (CN)

(56) **References Cited**

U.S. PATENT DOCUMENTS

(73) Assignee: **SHARKNINJA OPERATING LLC**,  
Needham, MA (US)

(\*\*) Term: **15 Years**

(21) Appl. No.: **29/814,199**

(22) Filed: **Nov. 4, 2021**

1,428,704 A	9/1922	Petri	
1,579,355 A	4/1926	Greenawalt	
1,583,591 A	5/1926	Greenawalt	
1,781,321 A	11/1930	Dehuff	
1,924,991 A	8/1933	Harvie	
2,026,240 A	12/1935	Luxmore	
2,157,683 A	5/1939	Vollrath	
2,181,079 A	11/1939	Dehuff	
2,251,903 A	8/1941	Anstice et al.	
2,457,533 A	12/1948	Dehuff	
2,609,189 A	9/1952	Dering	
2,798,701 A	7/1957	Collura	
2,811,339 A	10/1957	Osborne	
3,505,075 A	4/1970	Black	
D225,792 S *	1/1973	Fritsche	D7/533
4,173,925 A	11/1979	Leon	
4,547,076 A	10/1985	Maurer	
4,601,583 A	7/1986	Amorese	
4,637,221 A	1/1987	Levine	
4,898,474 A	2/1990	Lipson	
5,090,816 A	2/1992	Socha	
5,383,726 A	1/1995	Lanaro	
5,653,535 A	8/1997	Xie et al.	
5,690,427 A	11/1997	Jennings	
5,803,377 A	9/1998	Farrell	
5,836,687 A	11/1998	Khalid	
5,860,738 A	1/1999	Brinkman	
5,908,242 A	6/1999	St. John	
5,934,802 A	8/1999	Xie	
6,213,007 B1	4/2001	Lande	
6,250,794 B1	6/2001	Huang	
6,298,668 B1	10/2001	Lo	
6,301,919 B1	10/2001	Blaustein et al.	
6,302,014 B1	10/2001	Kuan	
6,332,333 B1	12/2001	Lee	
6,370,892 B1	4/2002	Ross	
6,389,962 B1	5/2002	Han et al.	
6,438,987 B1	8/2002	Pahl	
6,474,862 B2	11/2002	Farrell	
6,494,610 B1	12/2002	Brunswick	
6,510,704 B1	1/2003	Russell	
6,510,890 B1	1/2003	Paskach et al.	
6,553,779 B1	4/2003	Boyer et al.	
D475,577 S *	6/2003	Kung	D7/533

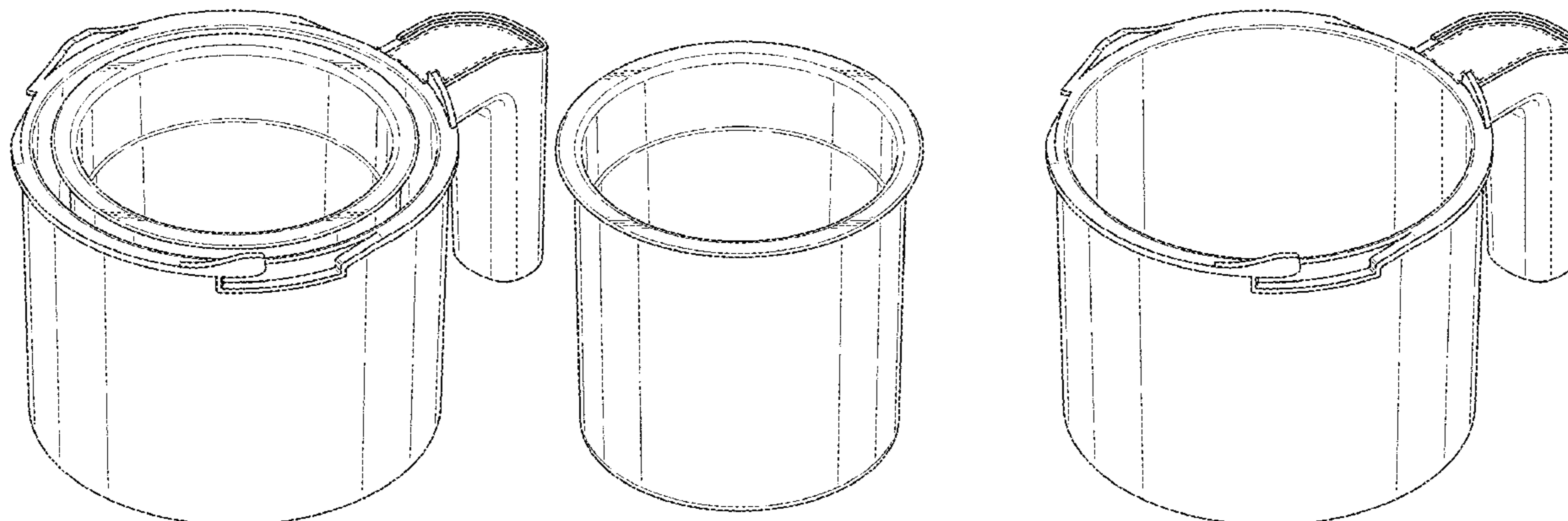
**Related U.S. Application Data**

(63) Continuation-in-part of application No. 17/139,660,  
filed on Dec. 31, 2020.

(51) **LOC (14) Cl.** ..... **31-00**

(52) **U.S. Cl.**  
USPC ..... **D7/412; D7/376; D7/378; D7/384;**  
**D7/413**

(58) **Field of Classification Search**  
USPC ..... **D7/315, 318, 372, 376-386, 393,**  
**D7/412-413, 507, 510, 533, 586, 602,**  
**D7/629, 665-666, 669, 679, 693-694**  
CPC .... **A21C 1/02; A21C 1/04; A23N 1/00; A23N**  
**1/02; A47J 43/04; A47J 43/07; A47J**  
**43/25; A47J 43/27; A47J 43/042; A47J**  
**43/044; A47J 43/046; A47J 43/075; A47J**  
**43/0722; A47J 43/0727; A47J 36/18;**  
**B01F 3/00; B01F 3/0807; B01F 3/0853;**  
**B01F 13/0059; B01F 13/0064; B02C**  
**1/08; B02C 2/04; B02C 4/42; B02C**



# US D985,334 S

6,599,007 B2	7/2003	Ryoo et al.	9,339,049 B2	5/2016	Jejcic
6,651,849 B2	11/2003	Schroeder et al.	9,375,689 B2	6/2016	Bravo
6,715,706 B1	1/2004	Planca	9,393,533 B2	7/2016	Little et al.
6,698,228 B2	3/2004	Kateman et al.	9,402,408 B2	8/2016	Cocchi et al.
6,730,348 B2	5/2004	Miller et al.	9,433,230 B1	9/2016	Fisher et al.
6,735,967 B1	5/2004	Bischel et al.	9,579,615 B2	2/2017	Farrell
6,772,675 B2	8/2004	Ervin	9,591,865 B2	3/2017	Ravji et al.
6,817,203 B1	11/2004	Rischewski	9,591,871 B2	3/2017	Ugolini
6,817,749 B2	11/2004	Saunders et al.	9,635,874 B2	5/2017	Bruckner et al.
6,824,303 B2	11/2004	Huang	9,763,462 B2	9/2017	He et al.
6,848,356 B1	2/2005	Mueller	9,816,748 B2	11/2017	Akan et al.
6,863,916 B2	3/2005	Henriksen et al.	9,833,109 B2	12/2017	Farrell et al.
6,866,414 B2	3/2005	Kupidlowski	9,854,820 B2	1/2018	Cocchi et al.
6,892,554 B2	5/2005	Bonato et al.	9,883,685 B2	2/2018	Bunker et al.
6,907,743 B2	6/2005	Cocchi et al.	9,918,484 B2	3/2018	Ekenhorst et al.
6,923,010 B2	8/2005	Small et al.	9,968,113 B2	5/2018	Lazzarini et al.
6,945,067 B2	9/2005	Petersen	9,993,016 B1	6/2018	Dyer
6,966,691 B2	11/2005	Brunswick et al.	10,004,250 B2	6/2018	Ugolini
6,991,363 B2	1/2006	Brunswick et al.	10,028,618 B1	7/2018	Benson
7,014,354 B2	3/2006	Donthnier et al.	10,039,298 B2	8/2018	Noth et al.
7,017,783 B1	3/2006	Hunter et al.	10,111,447 B2	10/2018	Noth et al.
7,028,607 B2	4/2006	Zweben	10,123,551 B2	11/2018	Beth Halachmi
7,047,758 B2	5/2006	Ross	10,123,553 B2	11/2018	Cocchi et al.
7,048,217 B2	5/2006	Dickson, Jr. et al.	10,206,414 B2	2/2019	Cocchi et al.
7,081,265 B2	7/2006	Wanat	10,251,410 B2	4/2019	Cocchi et al.
7,266,952 B2	9/2007	Ross et al.	10,285,417 B2	5/2019	Cocchi et al.
7,275,386 B2	10/2007	Cigolini	10,306,905 B2	6/2019	Cocchi
7,325,413 B2	2/2008	Ball	10,321,700 B2	6/2019	Cocchi et al.
7,384,187 B2	6/2008	Blackburn et al.	10,375,973 B2	8/2019	Noth et al.
7,395,751 B2	7/2008	Liu	D858,194 S	9/2019	Kiser
7,412,845 B2	8/2008	Boulos et al.	10,405,562 B2	9/2019	Cocchi et al.
7,448,516 B2	11/2008	Davis et al.	10,443,917 B2	10/2019	Kim
7,451,613 B2	11/2008	Barraclough et al.	10,463,059 B2	11/2019	Bush
7,455,868 B2	11/2008	Kennedy et al.	10,477,879 B2	11/2019	Cocchi et al.
D587,967 S *	3/2009	Wahl ..... D7/510	10,512,276 B2	12/2019	Popov et al.
D598,712 S *	8/2009	Alviar ..... D7/533	10,542,766 B2	1/2020	Cocchi et al.
7,572,472 B2	8/2009	Hermansen	10,561,158 B2	2/2020	Cocchi et al.
7,573,496 B2	8/2009	Okamura	10,568,336 B2	2/2020	Choudhary et al.
D600,978 S *	9/2009	Poindexter ..... D7/533	10,588,330 B2	3/2020	Cocchi et al.
7,596,963 B2	10/2009	Rasmussen	10,602,755 B2	3/2020	Cocchi et al.
7,621,669 B1	11/2009	Gerber	10,617,130 B2	4/2020	Cocchi et al.
7,647,782 B2	1/2010	Bucceri	10,617,131 B2	4/2020	Lazzarini et al.
7,665,398 B2	2/2010	Gerber	10,624,363 B2	4/2020	Rizvi et al.
7,690,835 B2	4/2010	Schnipke et al.	D884,408 S *	5/2020	Okmen ..... D7/315
7,712,321 B2	5/2010	Kadyk	10,660,348 B2	5/2020	Cheung
7,861,890 B2	1/2011	McGill	10,660,349 B2	5/2020	Cocchi et al.
7,878,021 B2	2/2011	Perrier et al.	10,674,742 B2	6/2020	Abu-Ali
7,896,038 B2	3/2011	Jones et al.	10,674,743 B2	6/2020	Ugolini
7,950,843 B2	5/2011	Blackburn et al.	10,674,744 B2	6/2020	Cocchi et al.
D646,524 S *	10/2011	Kortleven ..... D7/533	10,694,895 B2	6/2020	Zakowski
8,038,339 B2	10/2011	Jejcic	10,701,953 B2	7/2020	Merlini
8,109,113 B2	2/2012	Takata et al.	10,712,094 B2	7/2020	Cocchi et al.
8,177,418 B2	5/2012	Edwards et al.	10,736,336 B2	8/2020	Cocchi et al.
8,297,182 B2	10/2012	Cocchi et al.	10,743,561 B2	8/2020	Smith
8,316,761 B2	11/2012	Bravo et al.	D895,348 S *	9/2020	Vignau-Lous ..... D7/378
8,322,274 B2	12/2012	Jejcic	10,785,992 B2	9/2020	Newton et al.
D678,727 S *	3/2013	Kolar ..... D7/533	10,905,134 B2	2/2021	Cocchi et al.
8,479,531 B2	7/2013	Maeda et al.	10,926,233 B2	2/2021	Goodson
8,641,265 B2	2/2014	Bravo	10,945,447 B2	3/2021	Cocchi et al.
D702,487 S	4/2014	Gillette	10,952,455 B2	3/2021	Cocchi et al.
8,746,004 B2	6/2014	Jejcic	10,952,456 B2	3/2021	Cocchi et al.
8,763,420 B2	7/2014	Eichler	10,973,240 B1	4/2021	Fonte
8,778,436 B2	7/2014	Waletzko et al.	10,993,458 B2	5/2021	Cocchi et al.
8,807,469 B2	8/2014	Sung	11,019,832 B2	6/2021	Dong
8,807,823 B2	8/2014	Williams	11,019,834 B2	6/2021	Bruckner et al.
8,827,541 B2	9/2014	Bravo	11,021,319 B2	6/2021	Fonte
8,845,183 B2	9/2014	Kozlowski et al.	11,202,999 B1	12/2021	Harrison, Jr.
8,857,197 B1	10/2014	Fisher et al.	11,311,847 B2	4/2022	Goldsmith
8,920,019 B2	12/2014	Kozlowski et al.	11,324,358 B1	5/2022	O'Loughlin
8,944,289 B2	2/2015	Cocchi et al.	D959,909 S *	8/2022	Mock ..... D7/378
9,016,926 B2	4/2015	Cocchi et al.	11,503,959 B2	11/2022	Proulx et al.
D737,619 S *	9/2015	Cornu ..... D7/316	2002/0093877 A1	7/2002	Brunswick
9,155,322 B2	10/2015	Ricco et al.	2003/0058734 A1	3/2003	Poitras
9,186,636 B2	11/2015	Dong et al.	2003/0192325 A1	10/2003	Cocchi et al.
9,241,501 B2	1/2016	Broadbent et al.	2004/0120213 A1	6/2004	Short
9,301,537 B2	4/2016	Cocchi et al.	2005/0141340 A1	6/2005	Donthnier et al.
9,320,290 B2	4/2016	Cocchi et al.	2005/0170054 A1	8/2005	Czark et al.
9,326,530 B2	5/2016	Ugolini	2005/0183426 A1	8/2005	Learned
9,326,531 B1	5/2016	Reich et al.	2005/0194484 A1	9/2005	Starr

# US D985,334 S

2005/0207273	A1	9/2005	Newman	
2005/0249032	A1	11/2005	Heinhold et al.	
2006/0062078	A1	3/2006	Jejcic	
2006/0158959	A1	7/2006	Huang	
2006/0171248	A1	8/2006	Chou	
2006/0263490	A1	11/2006	Wall et al.	
2007/0095961	A1	5/2007	Lin	
2007/0295750	A1	12/2007	Cocchi et al.	
2007/0297282	A1	12/2007	Procuranti	
2008/0087026	A1	4/2008	Allin et al.	
2008/0219090	A1	9/2008	Heinhold et al.	
2008/0223965	A1	9/2008	Obersteiner	
2008/0257173	A1	10/2008	Radi	
2008/0273419	A1	11/2008	Cocchi et al.	
2008/0282723	A1	11/2008	Perrier	
2009/0016150	A1	1/2009	Mimran	
2009/0053375	A1	2/2009	Johnson	
2009/0133429	A1	5/2009	Petersen	
2009/0142466	A1	6/2009	Robinson et al.	
2009/0280214	A1	11/2009	Kim et al.	
2011/0174654	A1	7/2011	Krasznai	
2012/0144676	A1	6/2012	Davidian	
2012/0170404	A1	7/2012	Drees et al.	
2013/0340456	A1	12/2013	Hoare et al.	
2014/0007779	A1	1/2014	Hoare et al.	
2014/0130538	A1	5/2014	Bond et al.	
2014/0199448	A1	7/2014	Shalev	
2014/0332612	A1	11/2014	Liao et al.	
2015/0044344	A1	2/2015	Choi	
2015/0097063	A1	4/2015	Hsu	
2015/0245637	A1	9/2015	Bocchini	
2015/0257410	A1	9/2015	Baragiola et al.	
2015/0313414	A1	11/2015	Gerard	
2015/0342413	A1	12/2015	Joao et al.	
2016/0016133	A1	1/2016	Merritt et al.	
2016/0069604	A1	3/2016	Oh	
2016/0158719	A1	6/2016	Gushwa et al.	
2016/0270424	A1	9/2016	Noth et al.	
2017/0042179	A1	2/2017	Thomas	
2017/0112326	A1	4/2017	Ochoa et al.	
2017/0188600	A1	7/2017	Semo Scharfman et al.	
2017/0209000	A1	7/2017	Dickson, Jr.	
2017/0215456	A1	8/2017	Noth et al.	
2017/0215647	A1	8/2017	Zakowski	
2017/0332843	A1	11/2017	Obersteiner	
2017/0360060	A1	12/2017	De'Longhi et al.	
2017/0367370	A1	12/2017	Frisque et al.	
2018/0058742	A1	3/2018	Kim	
2018/0064131	A1	3/2018	Noth	
2018/0064132	A1	3/2018	Noth	
2018/0084800	A1	3/2018	Noth	
2018/0110238	A1	4/2018	Mohammed et al.	
2018/0263256	A1	9/2018	De'Longhi et al.	
2019/0075815	A1	3/2019	Cocchi et al.	
2019/0075971	A1*	3/2019	Noca ..... A47J 36/18	
2019/0110496	A1	4/2019	Cocchi et al.	
2019/0269148	A1	9/2019	Ait Bouziad et al.	
2019/0287102	A1	9/2019	Cocchi et al.	
2019/0313855	A1	10/2019	Ambrose et al.	
2019/0335786	A1	11/2019	Cocchi et al.	
2019/0337791	A1	11/2019	Bush	
2019/0343145	A1	11/2019	Cocchi et al.	
2019/0380358	A1	12/2019	Cocchi et al.	
2019/0390879	A1	12/2019	Cocchi et al.	
2020/0000120	A1	1/2020	Cocchi et al.	
2020/0120951	A1	4/2020	Wang	
2020/0178560	A1	6/2020	Gerber et al.	
2020/0196626	A1	6/2020	Cocchi et al.	
2020/0196627	A1	6/2020	Cocchi et al.	
2020/0221726	A1	7/2020	Cocchi et al.	
2020/0238236	A1	7/2020	Branson, III	
2020/0245638	A1	8/2020	Crema et al.	
2020/0253235	A1	8/2020	Cocchi et al.	
2020/0315218	A1	10/2020	Cocchi et al.	
2020/0352193	A1	11/2020	Cocchi et al.	
2020/0397017	A1	12/2020	Cocchi et al.	
2021/0000133	A1	1/2021	Meldrum et al.	
2021/0000298	A1	1/2021	Ambrose et al.	
2021/0022364	A1	1/2021	Meldrum et al.	

2021/0022365	A1	1/2021	Manz
2021/0106958	A1	4/2021	Medici
2021/0112825	A1	4/2021	Bellomare et al.
2021/0274974	A1	9/2021	Abraham
2021/0330129	A1	10/2021	Swidler
2021/0392918	A1	12/2021	Anand
2022/0030906	A1	2/2022	Springer

## FOREIGN PATENT DOCUMENTS

BE	409469	A	6/1935
CA	3033891		2/2018
CH	685321		6/1995
CN	2418689	Y	2/2001
CN	2476962	Y	2/2002
CN	2478364	Y	2/2002
CN	2502525	Y	7/2002
CN	2515961	Y	10/2002
CN	2518335	Y	10/2002
CN	2521914	Y	11/2002
CN	2560215	Y	7/2003
CN	2576011	Y	10/2003
CN	2587189	Y	11/2003
CN	2590387	Y	12/2003
CN	2598358	Y	1/2004
CN	2609355	Y	4/2004
CN	2629440	Y	8/2004
CN	2660908	Y	12/2004
CN	2666176	Y	12/2004
CN	2667901	Y	1/2005
CN	2669617	Y	1/2005
CN	1579194	A	2/2005
CN	2719037	Y	8/2005
CN	2733910	Y	10/2005
CN	2762561	Y	3/2006
CN	2772248	Y	4/2006
CN	2785380	Y	6/2006
CN	2802990	Y	8/2006
CN	2819134	Y	9/2006
CN	1295977	C	1/2007
CN	2855096	Y	1/2007
CN	2907262	Y	6/2007
CN	2935824	Y	8/2007
CN	100342794	C	10/2007
CN	200959807		10/2007
CN	201004979	Y	1/2008
CN	201015400	Y	2/2008
CN	201015402	Y	2/2008
CN	201156957	Y	12/2008
CN	201174951	Y	1/2009
CN	201345883	Y	11/2009
CN	201352936	Y	12/2009
CN	201352937	Y	12/2009
CN	201388483	Y	1/2010
CN	201388484	Y	1/2010
CN	201393518	Y	2/2010
CN	201414376	Y	3/2010
CN	101744084	A	6/2010
CN	201523634	U	7/2010
CN	101810239	A	8/2010
CN	201557512		8/2010
CN	201726817	U	2/2011
CN	1788597	B	4/2011
CN	101138379	B	5/2011
CN	201839768	U	5/2011
CN	201888213	U	7/2011
CN	201905193	U	7/2011
CN	102160593	A	8/2011
CN	201919605	U	8/2011
CN	201928933	U	8/2011
CN	201986636	U	9/2011
CN	201995529	U	10/2011
CN	202050862	U	11/2011
CN	202112243	U	1/2012
CN	202172781	U	3/2012
CN	102138620	B	7/2012
CN	202406999	U	9/2012
CN	202436050	U	9/2012
CN	202456290	U	10/2012

# US D985,334 S

CN	101605464	B	11/2012	CN	204907789	U	12/2015
CN	101574112	B	12/2012	CN	204930249	U	1/2016
CN	102144705	B	12/2012	CN	204949372	U	1/2016
CN	202635510	U	1/2013	CN	204949373	U	1/2016
CN	202697631	U	1/2013	CN	105498590		4/2016
CN	202722421	U	2/2013	CN	205161783	U	4/2016
CN	202722422	U	2/2013	CN	205161784	U	4/2016
CN	202773992	U	3/2013	CN	205180269	U	4/2016
CN	202819518	U	3/2013	CN	105685363	A	6/2016
CN	103082077	A	5/2013	CN	205093510	U	6/2016
CN	202931999	U	5/2013	CN	205308187	U	6/2016
CN	101889623	B	6/2013	CN	205337470	U	6/2016
CN	202958664	U	6/2013	CN	105758080	A	7/2016
CN	203058219	U	7/2013	CN	105767442	A	7/2016
CN	203087447	U	7/2013	CN	205358065	U	7/2016
CN	103262936	A	8/2013	CN	104279828	B	8/2016
CN	203105529	U	8/2013	CN	105841416	A	8/2016
CN	203152409	U	8/2013	CN	105851451	A	8/2016
CN	203207110	U	9/2013	CN	205409472	U	8/2016
CN	203233980	U	10/2013	CN	205431914	U	8/2016
CN	103404686	A	11/2013	CN	205455812	U	8/2016
CN	203262198	U	11/2013	CN	205505529	U	8/2016
CN	203279785	U	11/2013	CN	205505530	U	8/2016
CN	203279787	U	11/2013	CN	105961818	A	9/2016
CN	203290182	U	11/2013	CN	205567686	U	9/2016
CN	203407469	U	1/2014	CN	205580055	U	9/2016
CN	203467595	U	3/2014	CN	106035973	A	10/2016
CN	102048015	B	4/2014	CN	205624265	U	10/2016
CN	203534013	U	4/2014	CN	205624266	U	10/2016
CN	203563639	U	4/2014	CN	205655544	U	10/2016
CN	203590909	U	5/2014	CN	205695438	U	11/2016
CN	203597340	U	5/2014	CN	205695441	U	11/2016
CN	102987048	B	6/2014	CN	205695442	U	11/2016
CN	203661940	U	6/2014	CN	205747670	U	11/2016
CN	203725214	U	7/2014	CN	205848606	U	1/2017
CN	203744631	U	7/2014	CN	106376706	A	2/2017
CN	203748570	U	8/2014	CN	205939910	U	2/2017
CN	203748571	U	8/2014	CN	205947042	U	2/2017
CN	203748572	U	8/2014	CN	205947054	U	2/2017
CN	203748573	U	8/2014	CN	206005817	U	3/2017
CN	203748574	U	8/2014	CN	106693746		5/2017
CN	103168908	B	9/2014	CN	206182263	U	5/2017
CN	203827994	U	9/2014	CN	206196872	U	5/2017
CN	103211076	B	10/2014	CN	206196873	U	5/2017
CN	104115987	A	10/2014	CN	103190520	B	6/2017
CN	203897199	U	10/2014	CN	206213187	U	6/2017
CN	102805194	B	12/2014	CN	206227572	U	6/2017
CN	203985911	U	12/2014	CN	206227573	U	6/2017
CN	204090940	U	1/2015	CN	206227575	U	6/2017
CN	204120763	U	1/2015	CN	206227575	U	6/2017
CN	204146242	U	2/2015	CN	106979634	A	7/2017
CN	103380848	B	3/2015	CN	106982977	A	7/2017
CN	204191506	U	3/2015	CN	206354338	U	7/2017
CN	204202291	U	3/2015	CN	107019088	A	8/2017
CN	204217795	U	3/2015	CN	107027950	A	8/2017
CN	204259745	U	4/2015	CN	206413692	U	8/2017
CN	204273127	U	4/2015	CN	206443073	U	8/2017
CN	104621328	A	5/2015	CN	107125423	A	9/2017
CN	204362865	U	6/2015	CN	107175713	A	9/2017
CN	204362866	U	6/2015	CN	206525481	U	9/2017
CN	103478391	B	7/2015	CN	206547792	U	10/2017
CN	204426583	U	7/2015	CN	206576207	U	10/2017
CN	204444075	U	7/2015	CN	206620790	U	11/2017
CN	204482918	U	7/2015	CN	206739675	U	12/2017
CN	104824327	A	8/2015	CN	107616292	A	1/2018
CN	204599206	U	9/2015	CN	206821892	U	1/2018
CN	204599207	U	9/2015	CN	206821897	U	1/2018
CN	204599208	U	9/2015	CN	207023136	U	2/2018
CN	204616962	U	9/2015	CN	207023137	U	2/2018
CN	104982632	A	10/2015	CN	106221174	B	4/2018
CN	204707918	U	10/2015	CN	207201937	U	4/2018
CN	105010708	A	11/2015	CN	207220039	U	4/2018
CN	204742478	U	11/2015	CN	207269785	U	4/2018
CN	204742479	U	11/2015	CN	207285067	U	5/2018
CN	204742480	U	11/2015	CN	105758080	B	6/2018
CN	204811833	U	12/2015	CN	108271912	A	7/2018
CN	204830618	U	12/2015	CN	207590022	U	7/2018
CN	204837840	U	12/2015	CN	207653496	U	7/2018
CN	204860999	U	12/2015	CN	207716705	U	8/2018
				CN	207721134	U	8/2018

# US D985,334 S

CN	108514044	A	9/2018	EP	1588981	A1	10/2005
CN	207836682	U	9/2018	EP	1334664	B1	12/2005
CN	207940303	U	10/2018	EP	1449441	B1	12/2005
CN	105953515	B	11/2018	EP	1309245	B1	3/2006
CN	108813086	A	11/2018	EP	1465499	B1	3/2006
CN	108813087	A	11/2018	EP	1884167	A1	2/2008
CN	105076654	B	12/2018	EP	1068803	B1	12/2008
CN	208228236	U	12/2018	EP	1802225	B1	4/2009
CN	109152384	A	1/2019	EP	2070423	A1	6/2009
CN	109156596	A	1/2019	EP	2067407	B1	8/2010
CN	208425451	U	1/2019	EP	2284465	A2	2/2011
CN	208434646	U	1/2019	EP	2402690	A2	1/2012
CN	105953513	B	3/2019	EP	1993373	B1	6/2013
CN	109431269	A	3/2019	EP	2659958		11/2013
CN	109864173	A	6/2019	EP	2140768	B1	3/2014
CN	209031071	U	6/2019	EP	2189067	B1	3/2014
CN	109997949	A	7/2019	EP	2242376	B1	6/2014
CN	209047390	U	7/2019	EP	2750517	A2	7/2014
CN	209073407	U	7/2019	EP	2560502	B1	12/2014
CN	209147536	U	7/2019	EP	2242377	B1	2/2015
CN	209251633	U	8/2019	EP	2611344	B1	7/2015
CN	209284210	U	8/2019	EP	2681009	B1	8/2015
CN	209436192	U	9/2019	EP	2755496	B1	8/2015
CN	209489434	U	10/2019	EP	2673581	B1	9/2015
CN	110477182	A	11/2019	EP	2478774	B1	7/2016
CN	104782875	B	12/2019	EP	2524603	B1	8/2016
CN	209825085	U	12/2019	EP	2862488	B1	8/2016
CN	110651883	A	1/2020	EP	2897469	B1	11/2016
CN	209965158	U	1/2020	EP	2805620	B1	2/2017
CN	105558248	B	2/2020	EP	2862450	B1	3/2017
CN	110771717	A	2/2020	EP	2277386	B1	4/2017
CN	110810615	A	2/2020	EP	2445356	B1	4/2017
CN	210054494	U	2/2020	EP	3148347	A1	4/2017
CN	210157942	U	3/2020	EP	3050616	B1	11/2017
CN	210168943	U	3/2020	EP	3247216	B1	11/2017
CN	210203192	U	3/2020	EP	2916695	B1	1/2018
CN	210299346	U	4/2020	EP	2708141	B1	4/2018
CN	210332513	U	4/2020	EP	2755497	B1	9/2018
CN	210610902	U	5/2020	EP	3369353	A1	9/2018
CN	210625031	U	5/2020	EP	3095332	B1	10/2018
CN	111328909	A	6/2020	EP	3145320	B1	12/2018
CN	210695798	U	6/2020	EP	3220749	B1	12/2018
CN	210747048	U	6/2020	EP	3426055	A1	1/2019
CN	210901236	U	7/2020	EP	3266311	B1	3/2019
CN	210901239	U	7/2020	EP	3247216	B1	4/2019
CN	211026023	U	7/2020	EP	3473950	A1	4/2019
CN	211091708	U	7/2020	EP	3331375	B1	6/2019
CN	211091709	U	7/2020	EP	3021956	B1	8/2019
CN	106889294	B	8/2020	EP	3568025	A1	11/2019
CN	211211296	U	8/2020	EP	3391752	B1	12/2019
CN	111657388	A	9/2020	EP	3305089	B1	1/2020
CN	111657389	A	9/2020	EP	3183975	B1	4/2020
CN	211430928	U	9/2020	EP	3185693	B1	4/2020
CN	211746663	U	10/2020	EP	3643180	A1	4/2020
CN	211794135	U	10/2020	EP	3091848	B1	7/2020
CN	111887338	A	11/2020	EP	3682743	A2	7/2020
CN	111903828	A	11/2020	EP	3490386	B1	8/2020
CN	212232975	U	12/2020	EP	3632473	A3	11/2020
CN	212232976	U	12/2020	EP	3058831	B1	12/2020
CN	112219932	A	1/2021	EP	3351113	B1	12/2020
CN	212306694	U	1/2021	EP	3528639	B1	12/2020
CN	212325314	U	1/2021	EP	3381295	B1	1/2021
CN	212345191	U	1/2021	EP	3758503	A1	1/2021
CN	212414601	U	1/2021	EP	3775729	A1	2/2021
CN	212437169	U	2/2021	EP	3291719	B1	3/2021
CN	212464764	U	2/2021	EP	3292768	B1	3/2021
CN	112515503	A	3/2021	EP	3590351	B1	3/2021
CN	112715735	A	4/2021	EP	3796784	A1	3/2021
CN	212852474	U	4/2021	EP	3801042	A1	4/2021
CN	213045050	U	4/2021	EP	3801158	A1	4/2021
CN	213074319	U	4/2021	FR	1104425	A	11/1955
DE	2905308		9/1979	JP	S5931654	A	2/1984
DE	102004008748		9/2004	KR	20040099008	A	11/2004
EP	0891139		1/1999	KR	101624283	B1	5/2016
EP	0877558	B1	7/2002	KR	20170056787	A	5/2017
EP	1264567		12/2002	KR	102185180		12/2020
EP	0996341	B1	9/2003	TW	M429850	U	5/2012
EP	1156735	B1	10/2004	TW	I465677	B	12/2014
EP	1544882	A2	6/2005	TW	I535986	B	6/2016

WO	97/36498	A1	10/1997
WO	9736498	A1	10/1997
WO	0197628	A1	12/2001
WO	03065819	A1	8/2003
WO	2008/036972	A2	3/2008
WO	2008036972	A2	3/2008
WO	2014026445	A1	2/2014
WO	2014206119	A1	12/2014
WO	2015063135	A1	5/2015
WO	2016078042	A1	5/2016
WO	2017/090647	A1	6/2017
WO	2017090647	A1	6/2017
WO	2017139395	A1	8/2017
WO	2017166007	A1	10/2017
WO	2017166008	A1	10/2017
WO	2018141758	A1	8/2018
WO	2019197152	A1	10/2019
WO	2019200490	A1	10/2019
WO	WO2019200490		10/2019
WO	2019/220490	A1	11/2019
WO	2019/220491	A1	11/2019
WO	2019220490	A1	11/2019
WO	2019220491	A1	11/2019
WO	2020236173	A1	11/2020
WO	2022/020653	A1	1/2022
WO	WO2022014808		1/2022

OTHER PUBLICATIONS

“Ninja NC301 CREAMi Ice Cream Maker,” retrieved from URL: [https://www.amazon.com/Ninja-NC301-placeholder-Cream-Maker/dp/B08QXB9BH5/ref=sr\\_1\\_1?keywords=ninja%2Bicecream%2Bmaker%2Bmachin&qid=1663587903&sr=8-1&th=1](https://www.amazon.com/Ninja-NC301-placeholder-Cream-Maker/dp/B08QXB9BH5/ref=sr_1_1?keywords=ninja%2Bicecream%2Bmaker%2Bmachin&qid=1663587903&sr=8-1&th=1), 9 pgs. (Pub: Aug. 17, 2021).  
Ice Cream Maker, Ninja™ CREAMi™: How to Assemble + Use, YouTube video by Ninja Kitchen; retrieved from URL: <https://www.youtube.com/watch?v=fXkq1tzxLm0>, (Jul. 27, 2021).  
International Search Report and Written Opinion dated Jul. 1, 2022, for related Application No. PCT/US2021/064383.  
Non-final Office Action dated May 26, 2022, for related U.S. Appl. No. 17/698,660.

\* cited by examiner

Primary Examiner — Ricky Pham  
(74) Attorney, Agent, or Firm — Burns & Levinson, LLP;  
Joseph M. Maraia

(57) CLAIM

The ornamental design for a nested bowl for a micro puree machine, as shown and described.

DESCRIPTION

FIG. 1 is a top/front view of an inner bowl of a nested bowl of our design;  
FIG. 2 is a front view of the inner bowl;  
FIG. 3 is a rear view of the inner bowl;  
FIG. 4 is a right side view of the inner bowl;  
FIG. 5 is a left side view of the inner bowl;  
FIG. 6 is a top view of the inner bowl;  
FIG. 7 is a bottom view of the inner bowl;  
FIG. 8 is a top/front/left side perspective view of an outer bowl of the nested bowl;  
FIG. 9 is a front view of the outer bowl;  
FIG. 10 is a rear view of the outer bowl;  
FIG. 11 is a right side view of the outer bowl;  
FIG. 12 is a left side view of the outer bowl;  
FIG. 13 is a top view of the outer bowl;  
FIG. 14 is a bottom view of the outer bowl;  
FIG. 15 is a top/front/left side perspective view of the inner bowl nested in the outer bowl; and,  
FIG. 16 is a top/front/left side exploded view of the inner bowl and the outer bowl.  
In the drawings, the broken lines depict portions of the outer bowl which form no part of the claim.

1 Claim, 16 Drawing Sheets

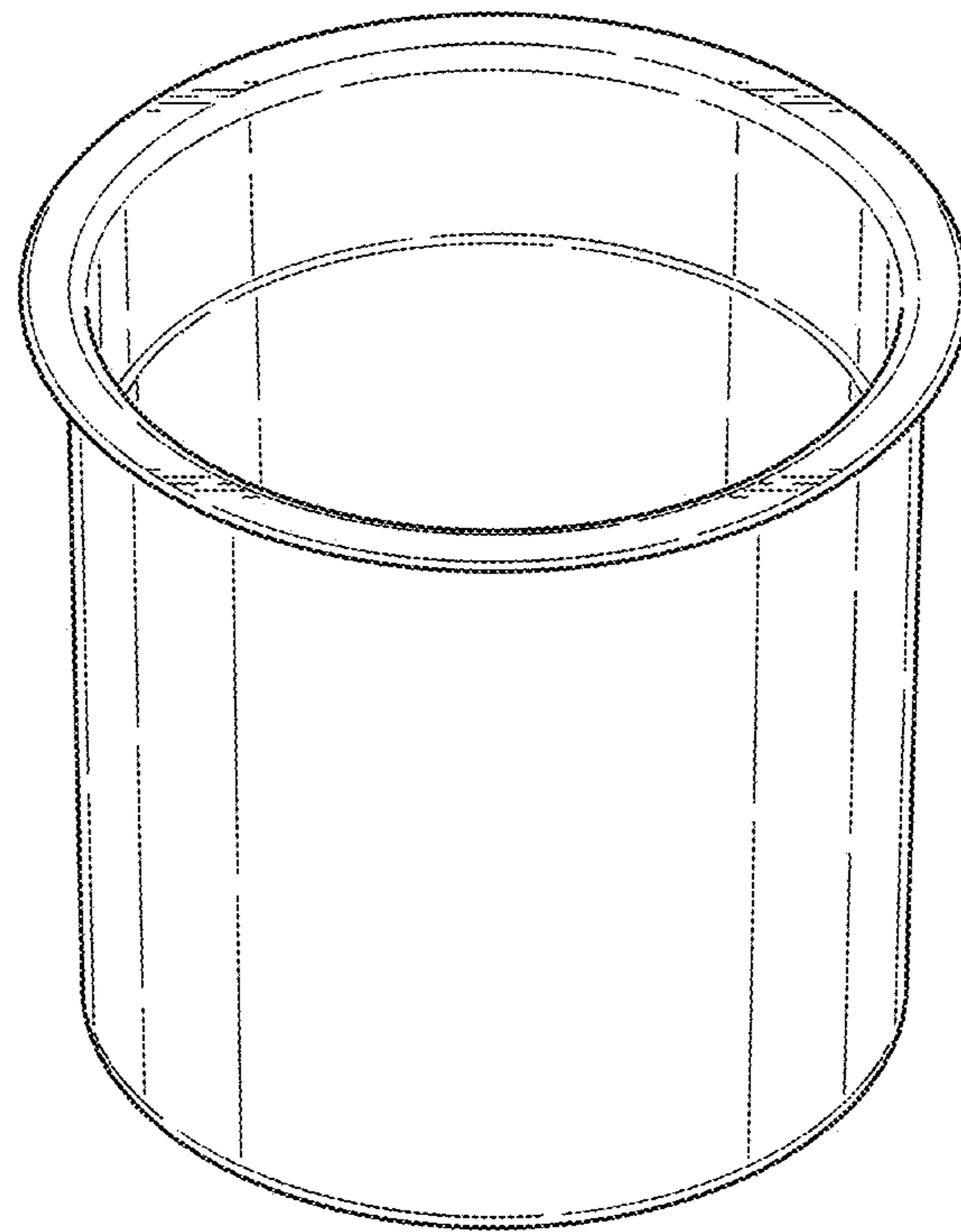


FIG. 1

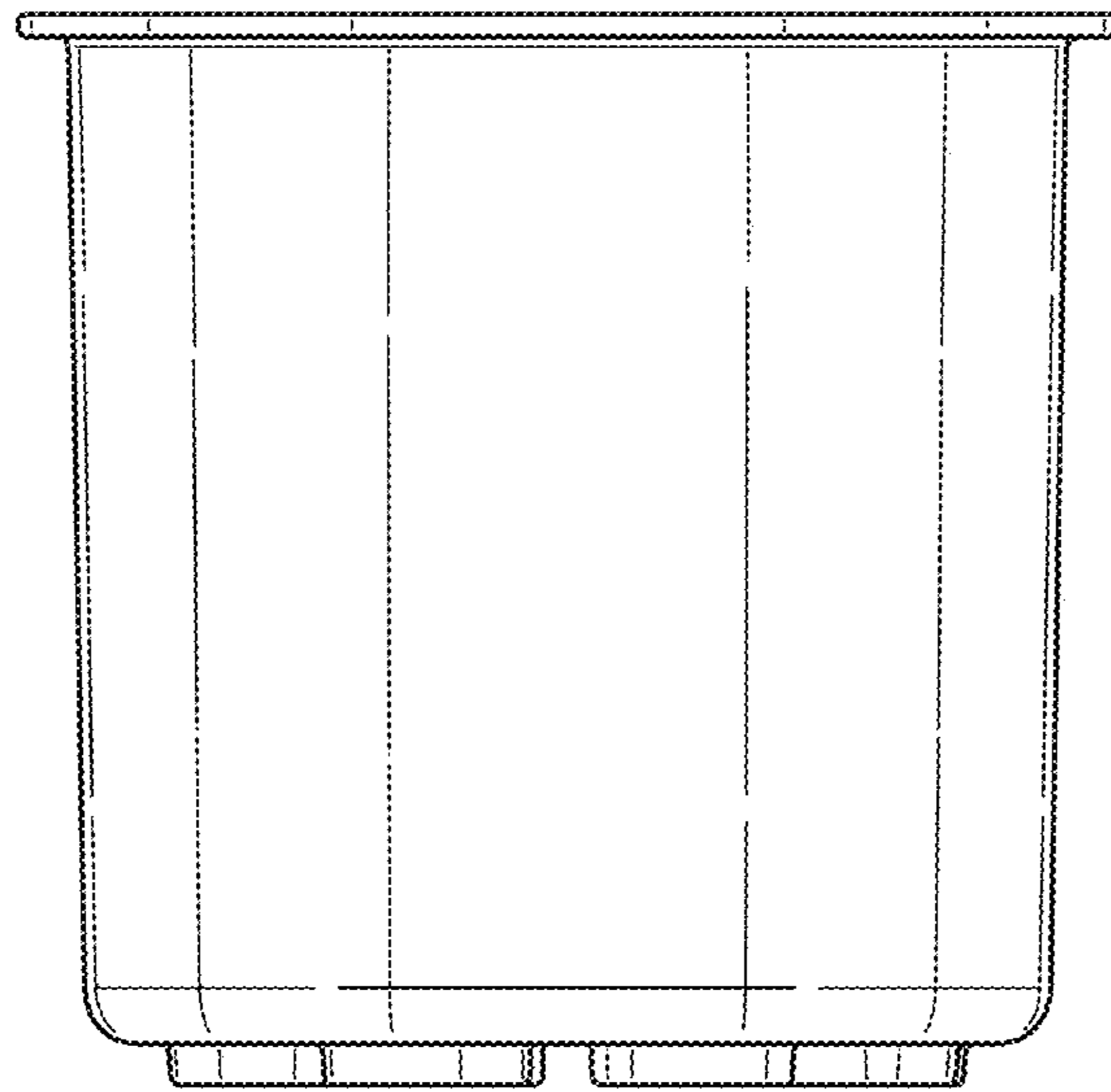


FIG. 2



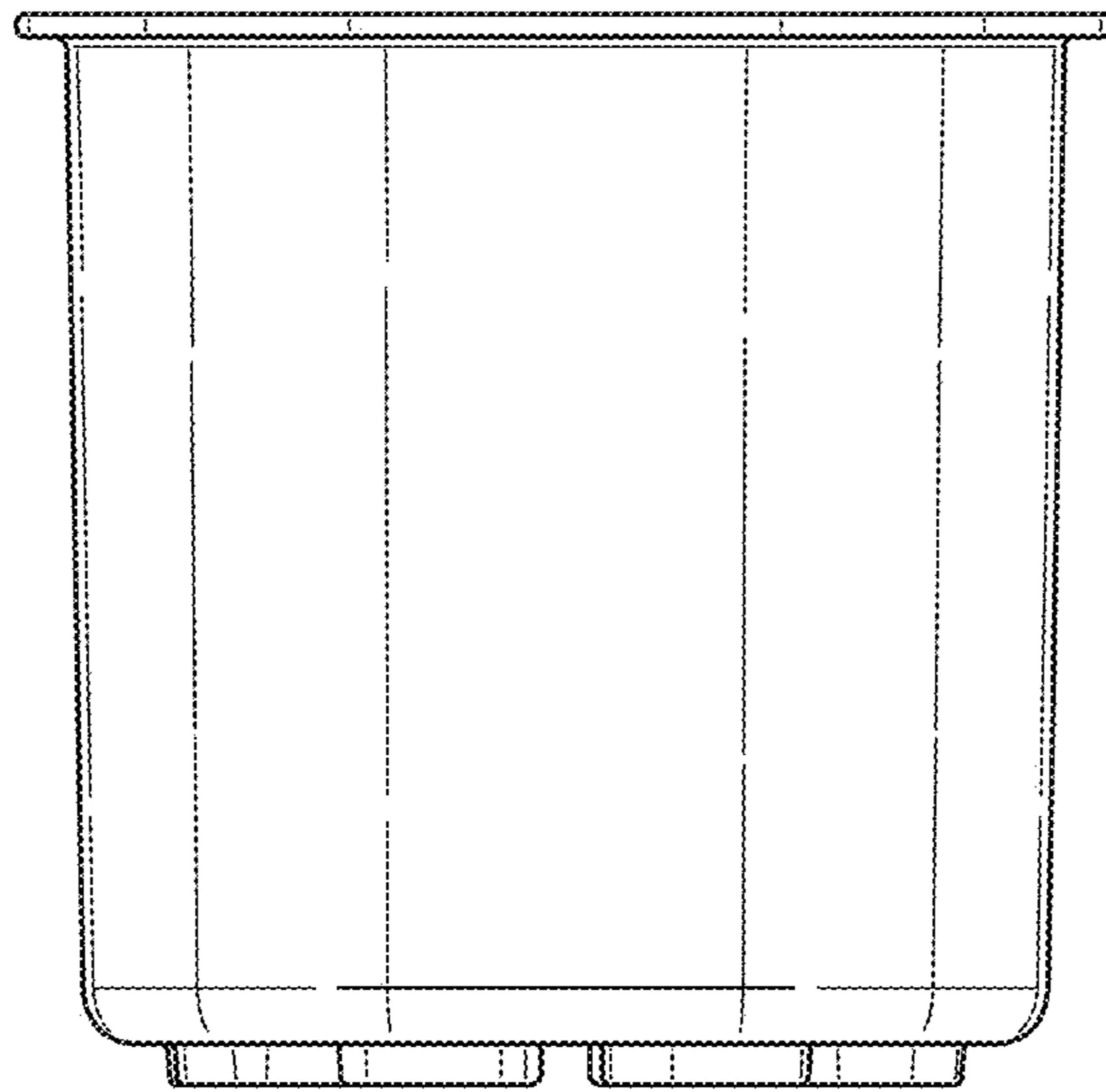


FIG. 3

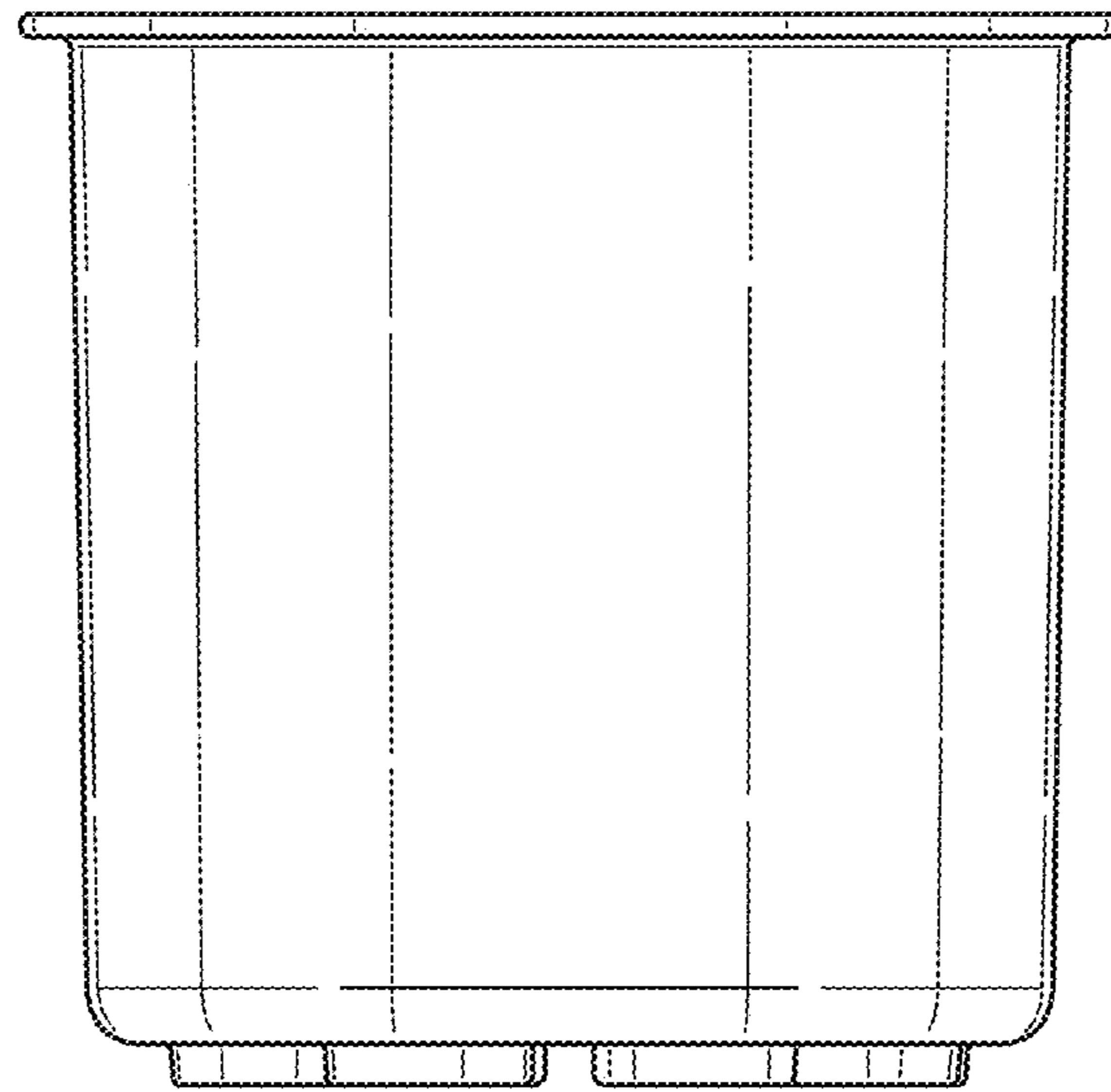


FIG. 4

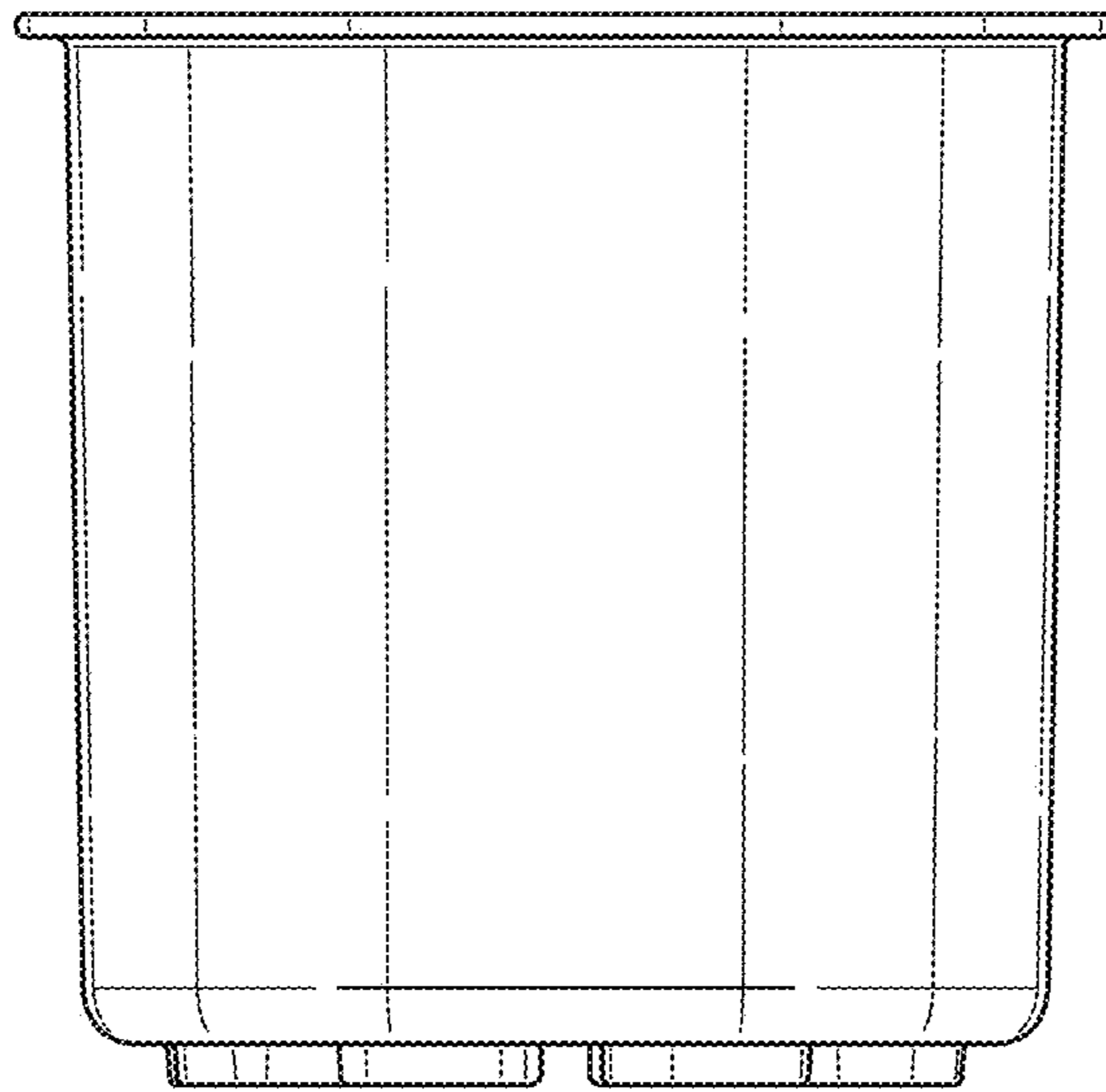


FIG. 5

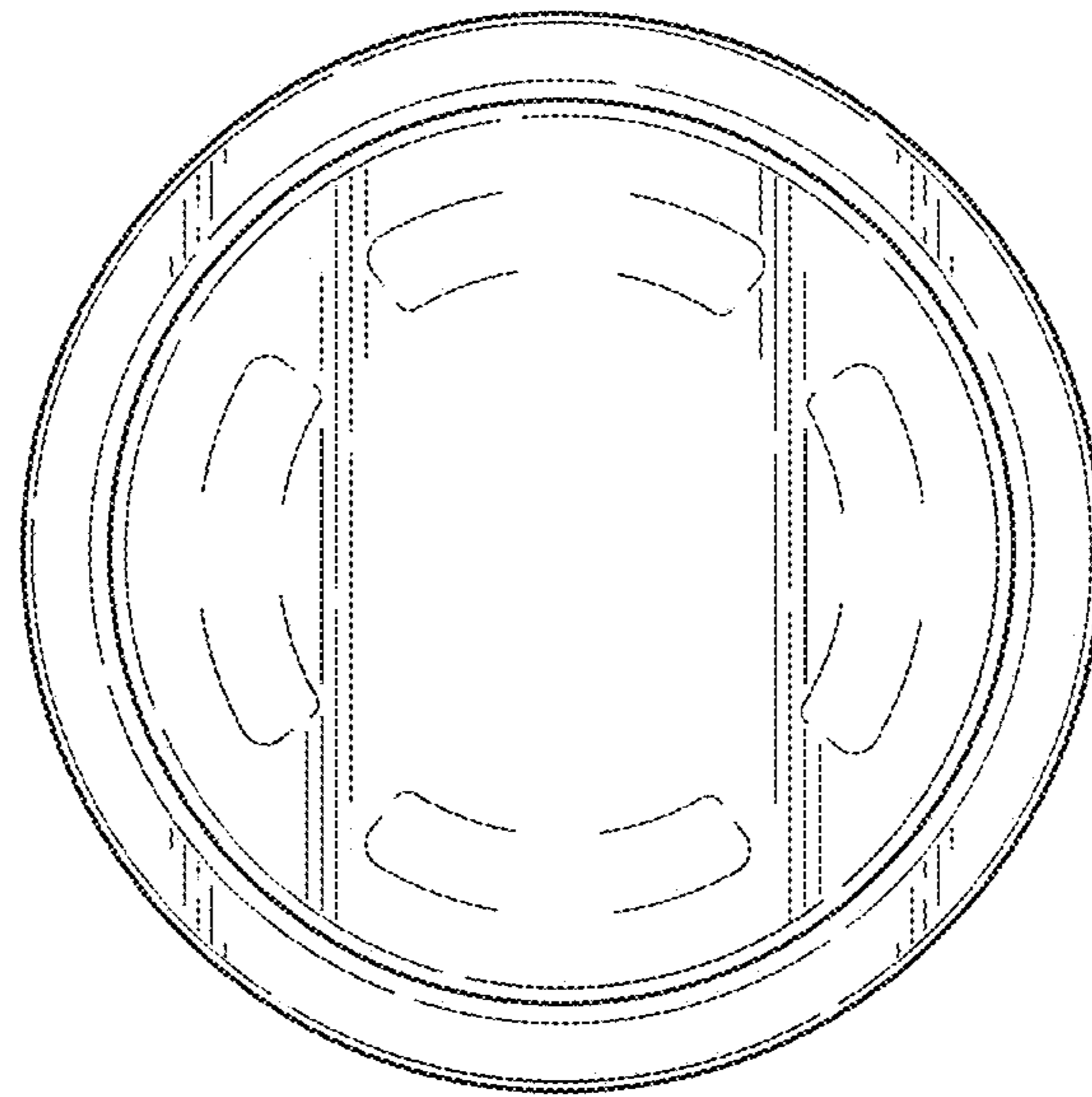


FIG. 6

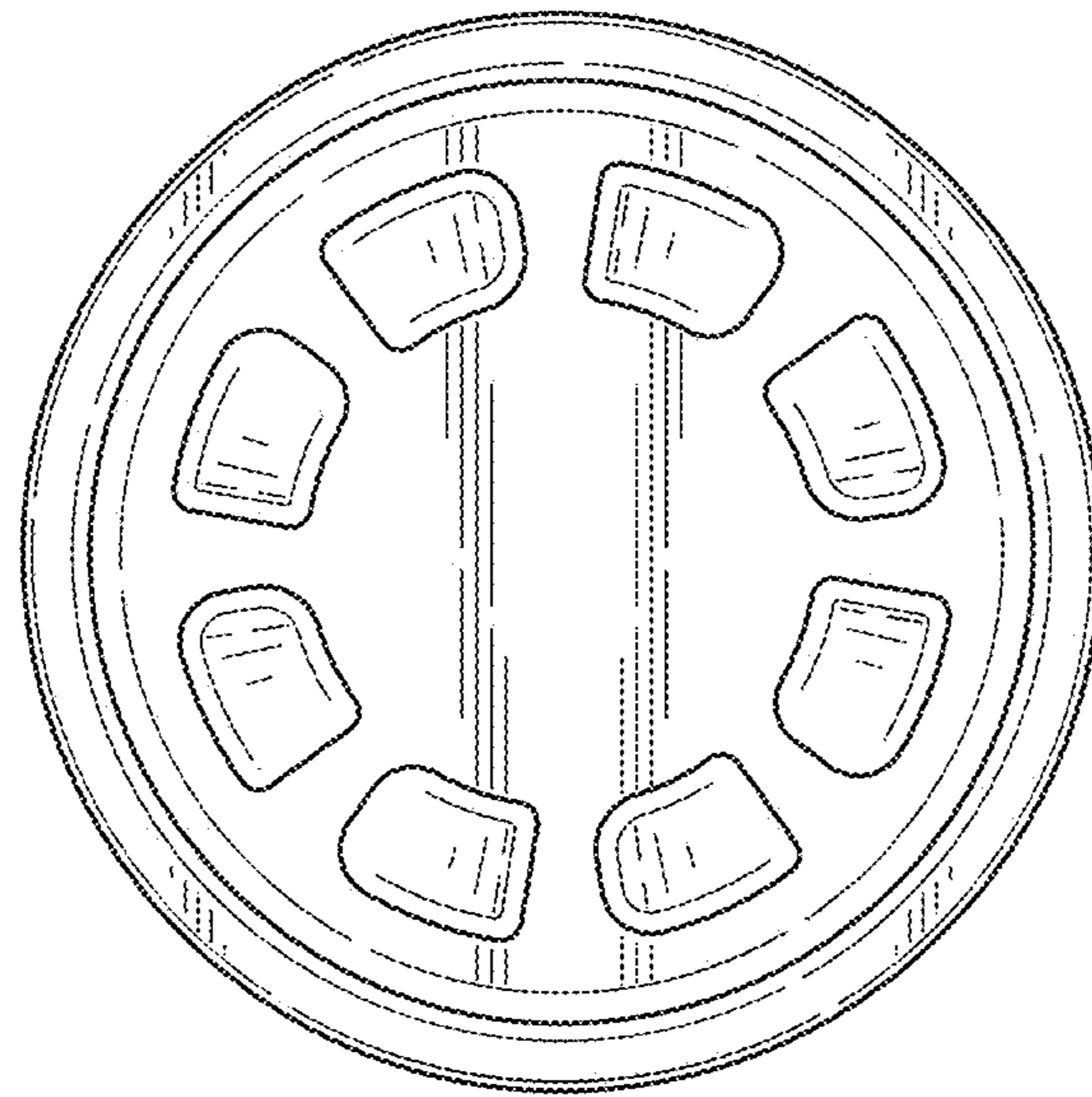


FIG. 7

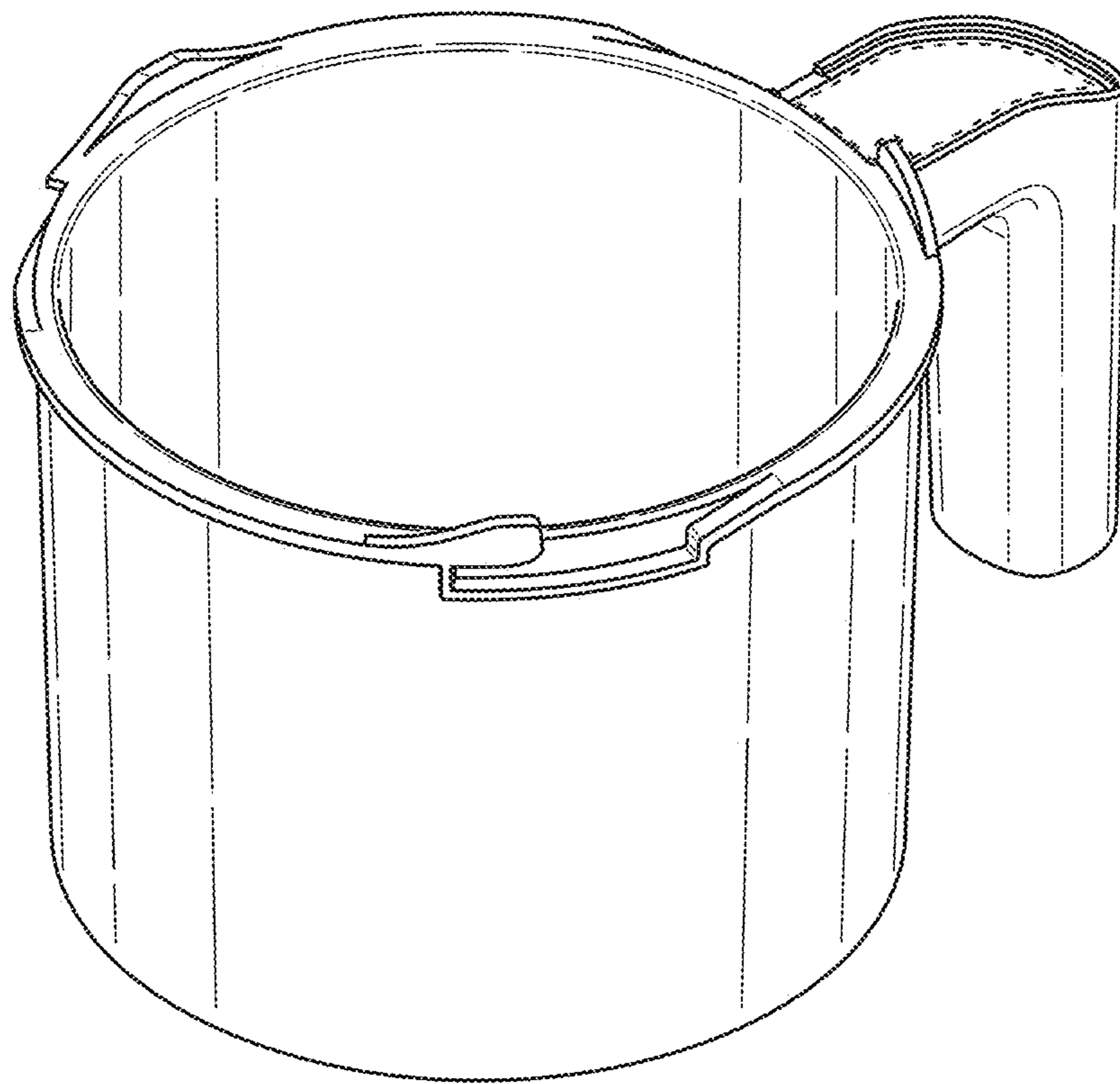


FIG. 8

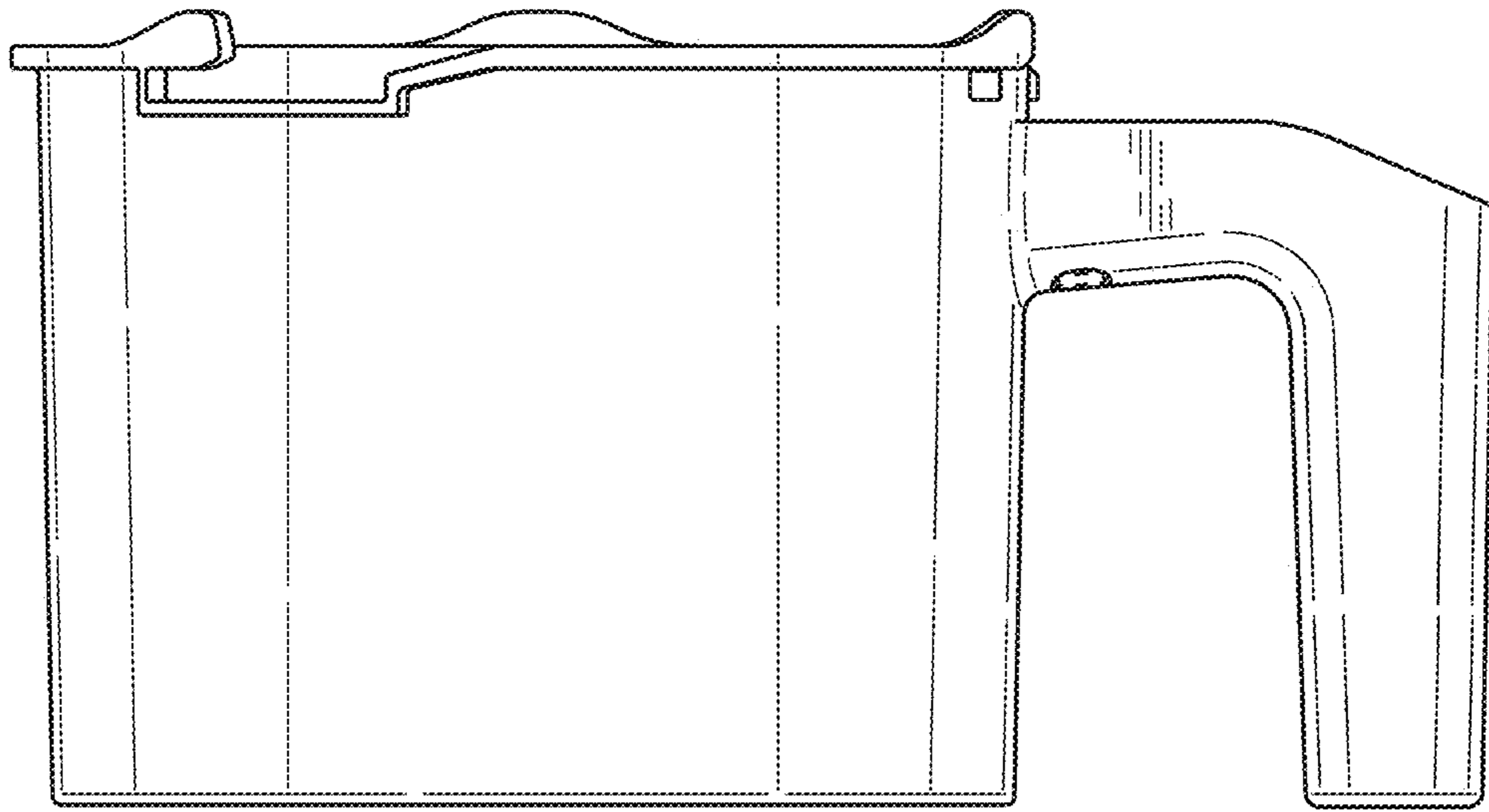


FIG. 9

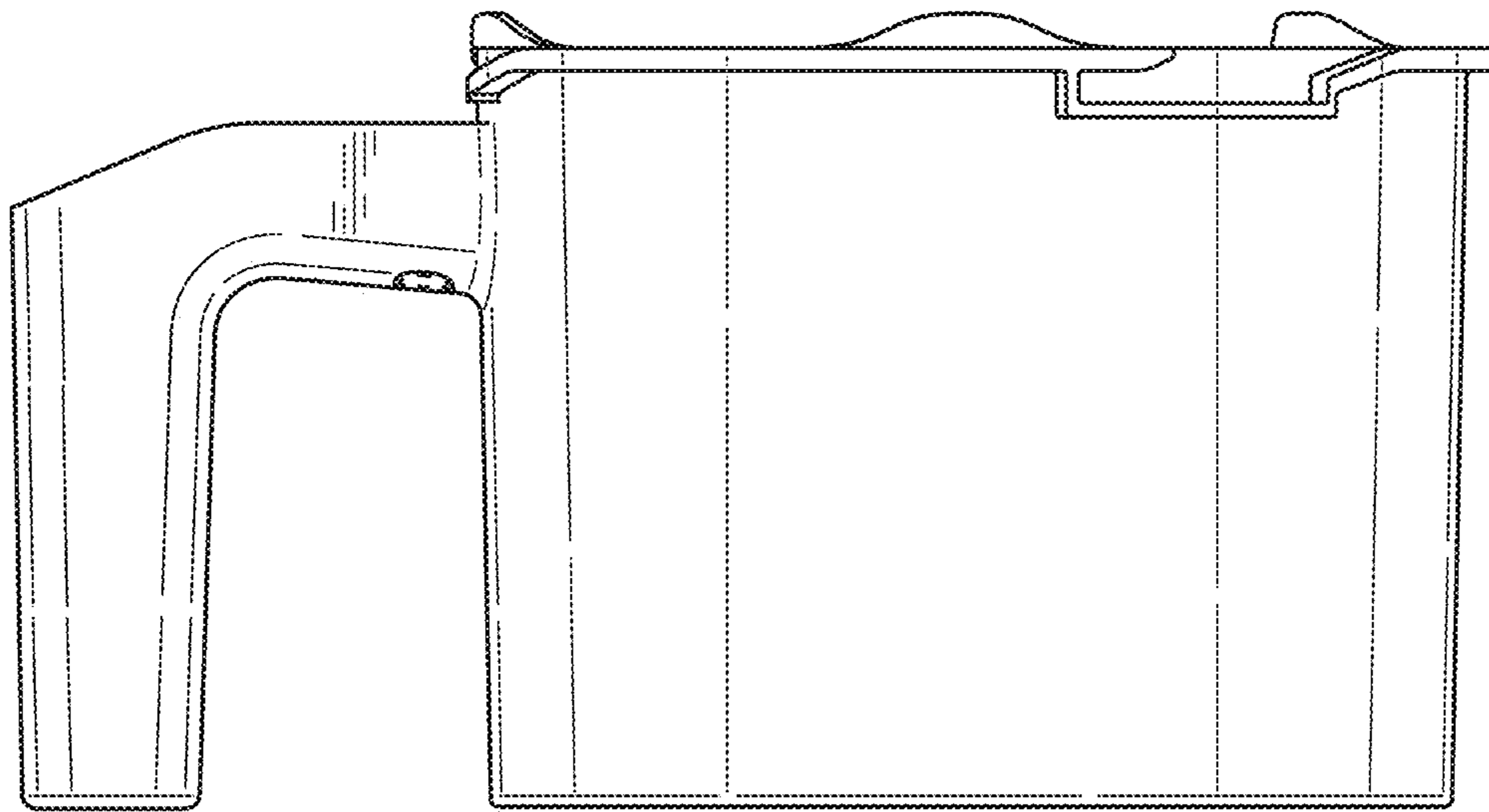


FIG. 10



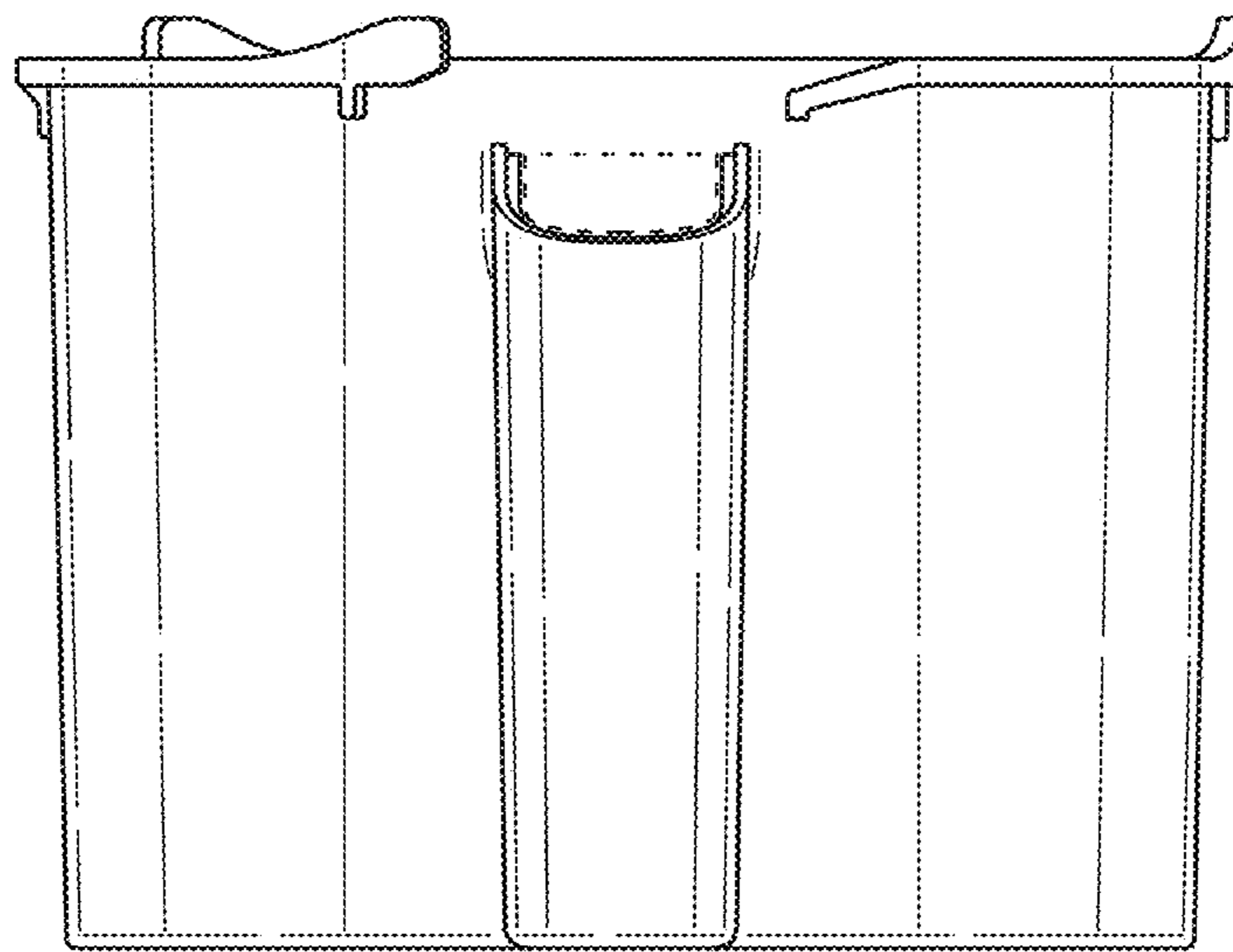


FIG. 11

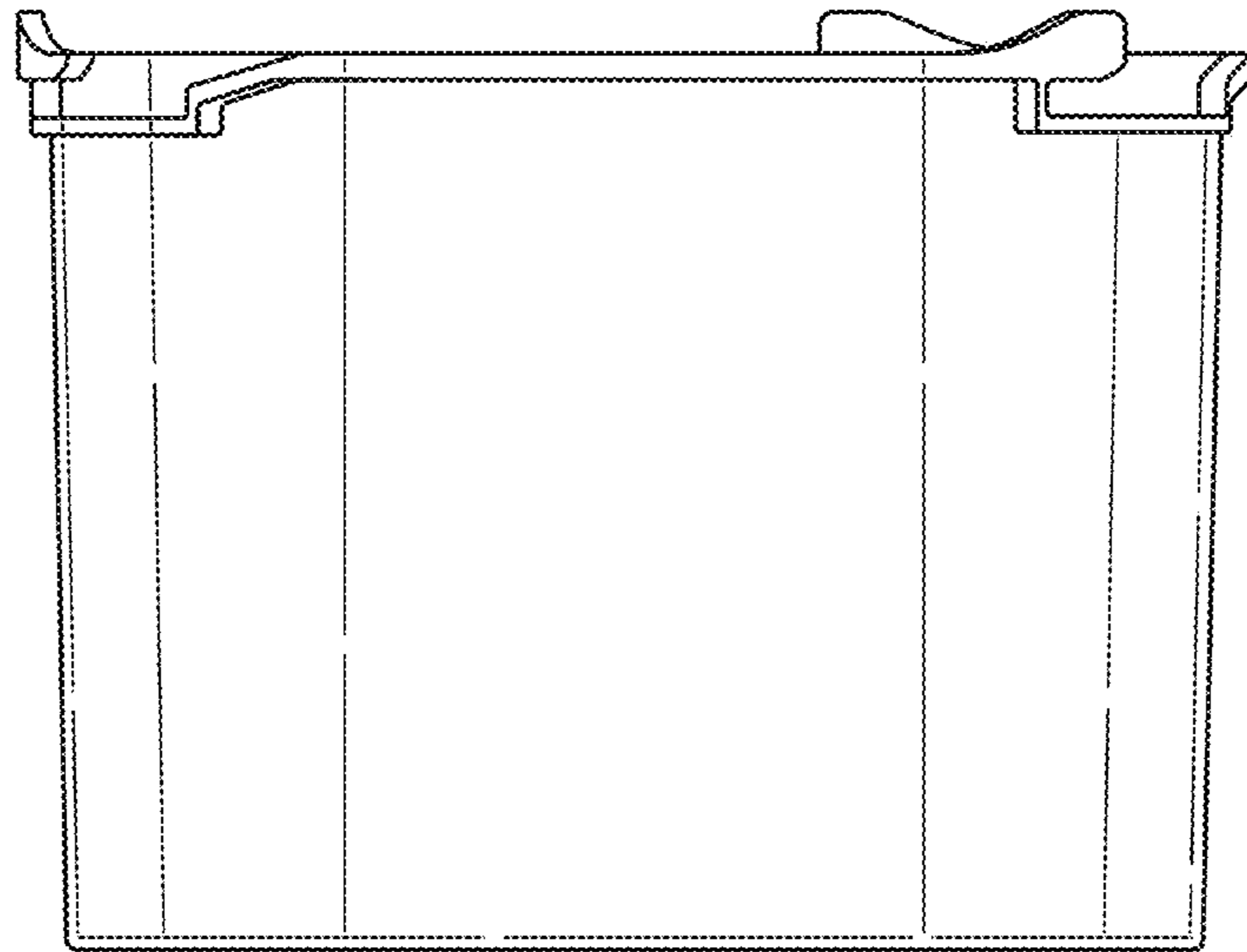


FIG. 12

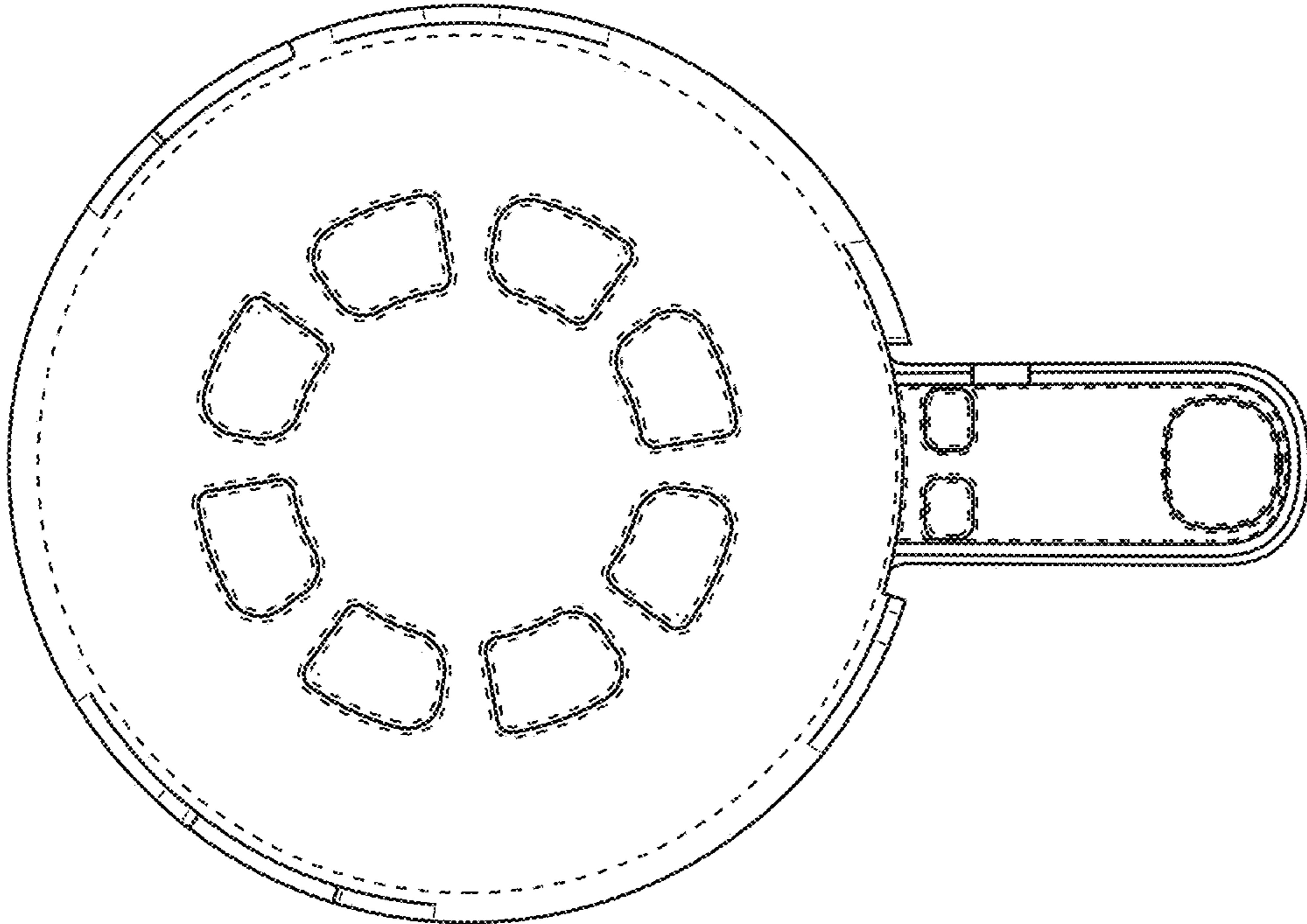


FIG. 13

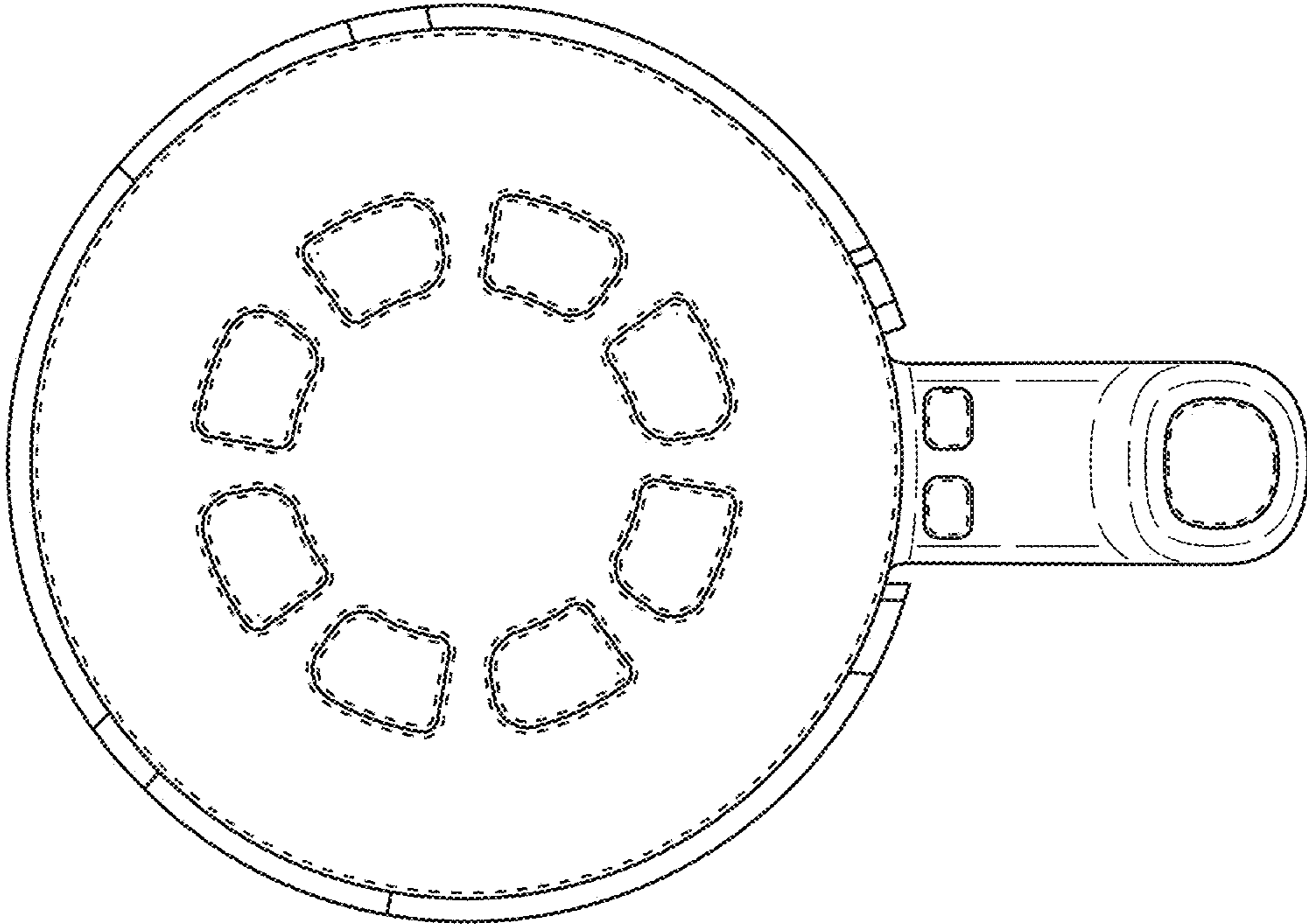


FIG. 14

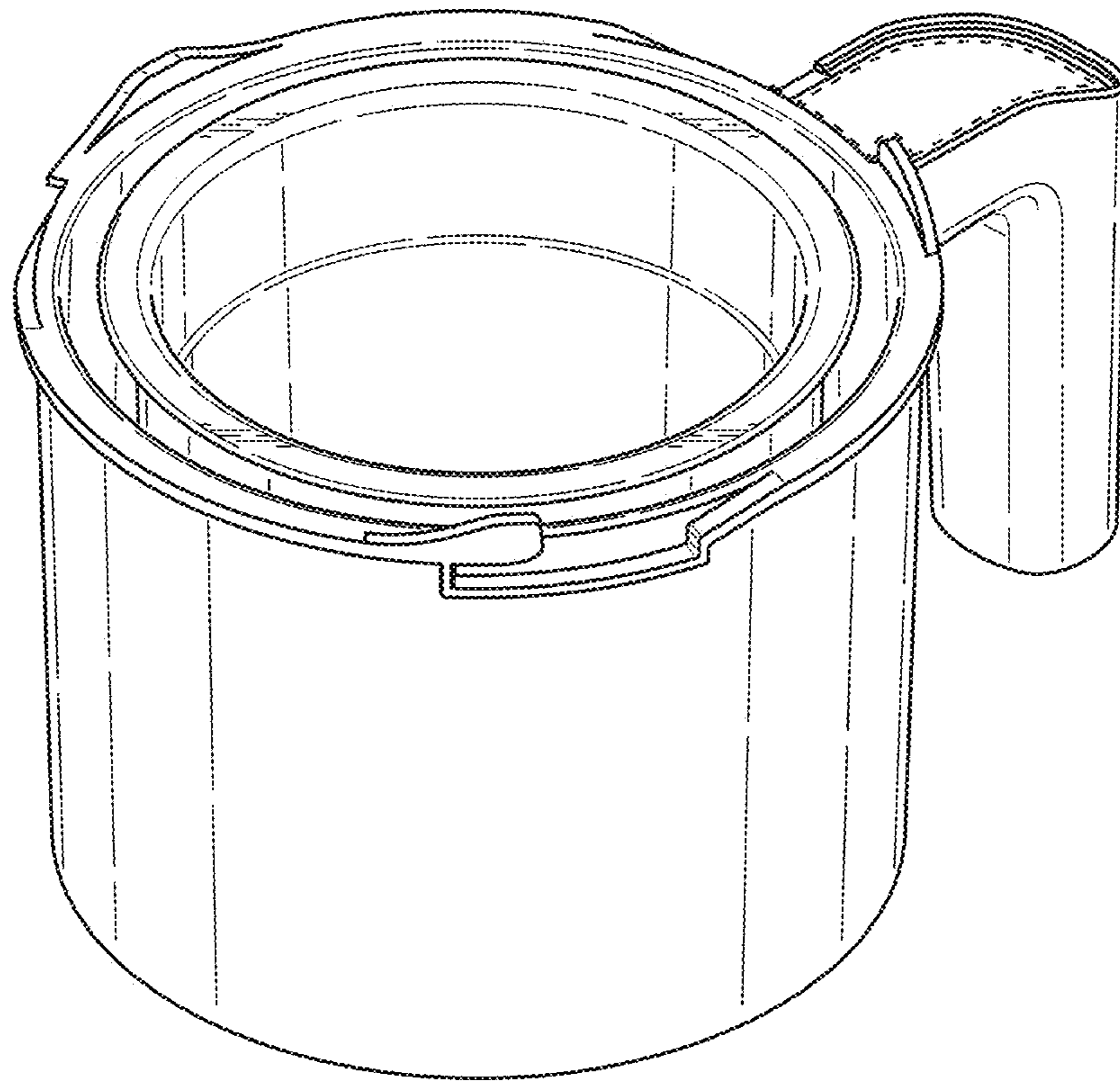


FIG. 15

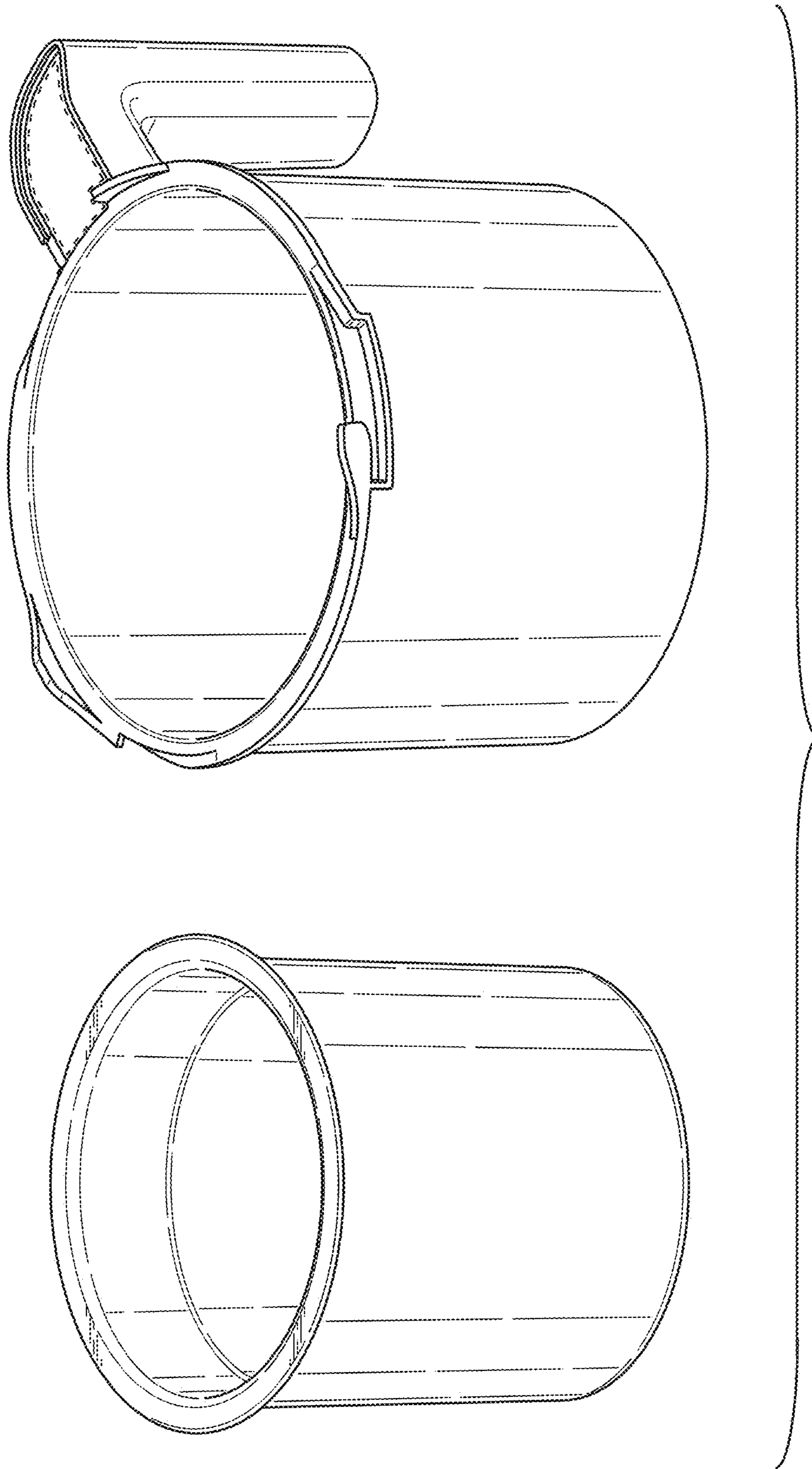


FIG. 16