



US00D985333S

(12) **United States Design Patent**
Fujii et al.

(10) **Patent No.:** **US D985,333 S**

(45) **Date of Patent:** **** May 9, 2023**

(54) **WATER DIVIDER**

(71) Applicant: **HARIO USA, INC.**, Cerritos, CA (US)

(72) Inventors: **Yasuo Fujii**, Tokyo (JP); **Charlie Zhou**, Shanghai (CN)

(73) Assignee: **HARIO USA, INC.**, Cerritos, CA (US)

(**) Term: **15 Years**

(21) Appl. No.: **29/798,182**

(22) Filed: **Jul. 6, 2021**

(30) **Foreign Application Priority Data**

Jan. 6, 2021 (CN) 202130007198.7

(51) **LOC (14) Cl.** **07-06**

(52) **U.S. Cl.**
USPC **D7/397**

(58) **Field of Classification Search**
USPC D7/306, 312, 313, 387, 397, 399, 400;
D9/414, 416, 424, 428, 429, 741;
D23/209

CPC A47J 31/06; A47J 31/446; A47J 31/02;
A47J 31/043; A47J 31/08; A47J 31/0621;
B65D 85/8061; B65D 2581/3409

See application file for complete search history.

(56) **References Cited**

U.S. PATENT DOCUMENTS

3,937,134 A * 2/1976 Molenaar A47J 31/02
426/77
D256,079 S * 7/1980 Moncrief D7/400
D261,850 S * 11/1981 Carfagno D7/400
D270,513 S * 9/1983 Wallsten D7/400
D292,887 S * 11/1987 Schouten D9/424
D349,211 S * 8/1994 Cerato D7/400
D349,833 S * 8/1994 Enos D7/400
D374,150 S * 10/1996 Lillelund D7/397
D452,633 S * 1/2002 Valkovich D7/400

D462,233 S * 9/2002 Jorgensen D7/400
D539,643 S * 4/2007 Abel D9/414
D541,147 S * 4/2007 LaMasney D9/429
D600,498 S * 9/2009 Ma D7/397
D620,791 S * 8/2010 Grajcar D9/429
D621,698 S * 8/2010 Cometto D9/428
D683,182 S * 5/2013 de Klein D7/397
D703,039 S * 4/2014 Hansen D9/429
D760,022 S * 6/2016 Garvey D7/397

(Continued)

FOREIGN PATENT DOCUMENTS

JP 1269367 S 4/2006

OTHER PUBLICATIONS

Generic Coffee Dripper Coffee Strainer, www.amazon.com, First available date: Sep. 15, 2021. Retrieved from the internet Dec. 28, 2022 <https://www.amazon.com/Generic-Coffee-Dripper-Strainer-Paperless/dp/B0BBWH3LX7/ (Year: 2021).*

(Continued)

Primary Examiner — Joseph Kukella
Assistant Examiner — Darryl J Dardenne
(74) *Attorney, Agent, or Firm* — Hogan Lovells US LLP

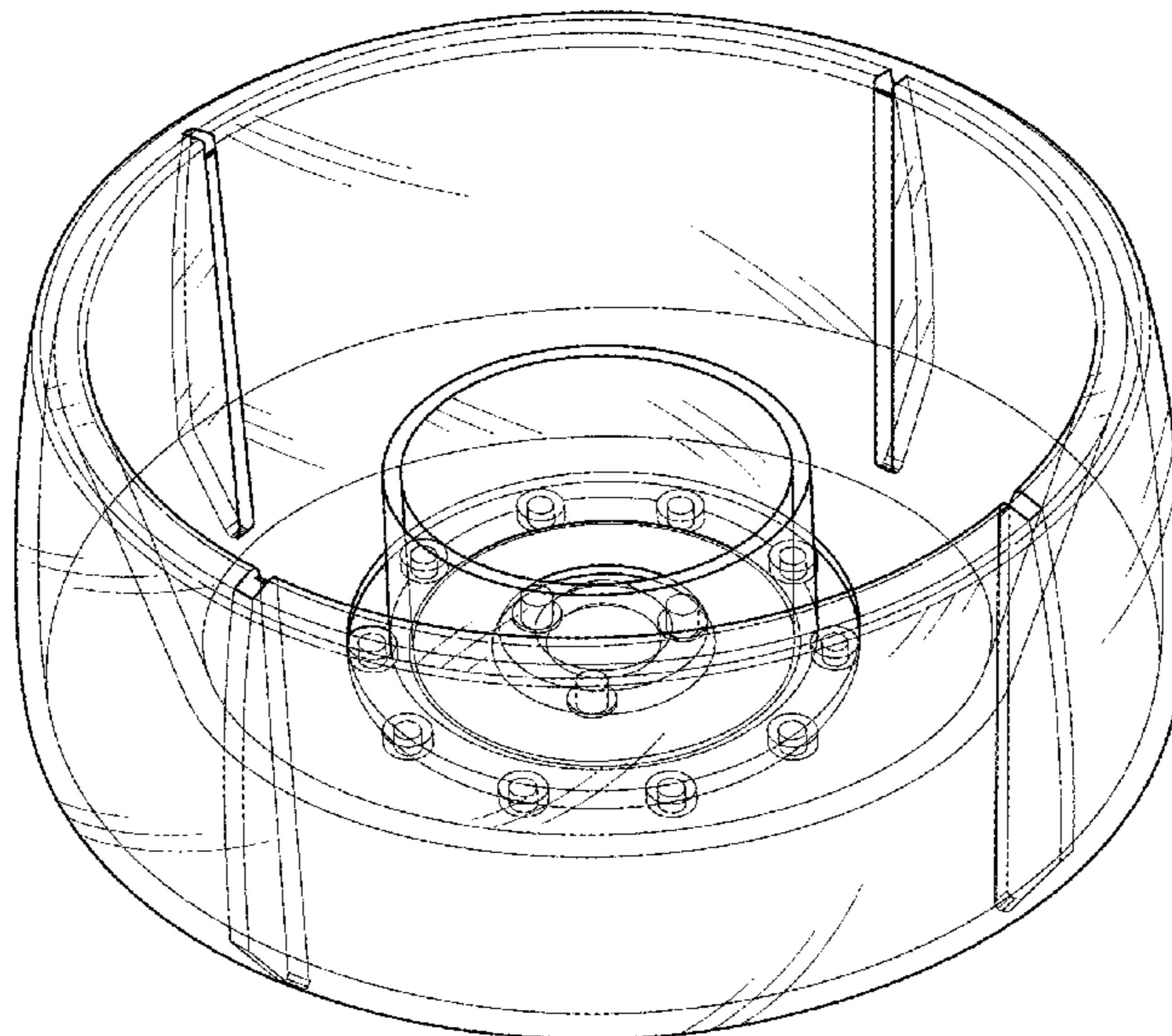
(57) **CLAIM**

The ornamental design for a water divider, as shown and described.

DESCRIPTION

FIG. 1 is a perspective view of a water divider showing our new design;
FIG. 2 is a front view thereof;
FIG. 3 is rear view thereof;
FIG. 4 is left-side view thereof;
FIG. 5 is a right-side view thereof;
FIG. 6 is a top view thereof; and,
FIG. 7 is a bottom view thereof.

1 Claim, 5 Drawing Sheets



(56)

References Cited

U.S. PATENT DOCUMENTS

D779,875 S * 2/2017 Gross D7/397
D793,858 S * 8/2017 Buck D9/428
D798,145 S * 9/2017 Komai D9/428
D800,497 S * 10/2017 Fedorak D7/397
D848,213 S * 5/2019 Cedergren D7/397
D860,777 S * 9/2019 Giovanni D9/416
D864,707 S * 10/2019 Valsecchi D9/416
D922,866 S * 6/2021 Kaye D23/366
D953,800 S * 6/2022 Seo D7/397
D973,484 S * 12/2022 Manchanda D9/416

OTHER PUBLICATIONS

Magic Cap Coffee Filter, www.aliexpress.us, First available date:
Oct. 17, 2022. Retrieved from the internet Dec. 28, 2022 <https://www.aliexpress.us/item/3256803044309810.html?gatewayAdapt=glo2usa4itemAdapt&_randl_shipto=US (Year: 2022).*

* cited by examiner

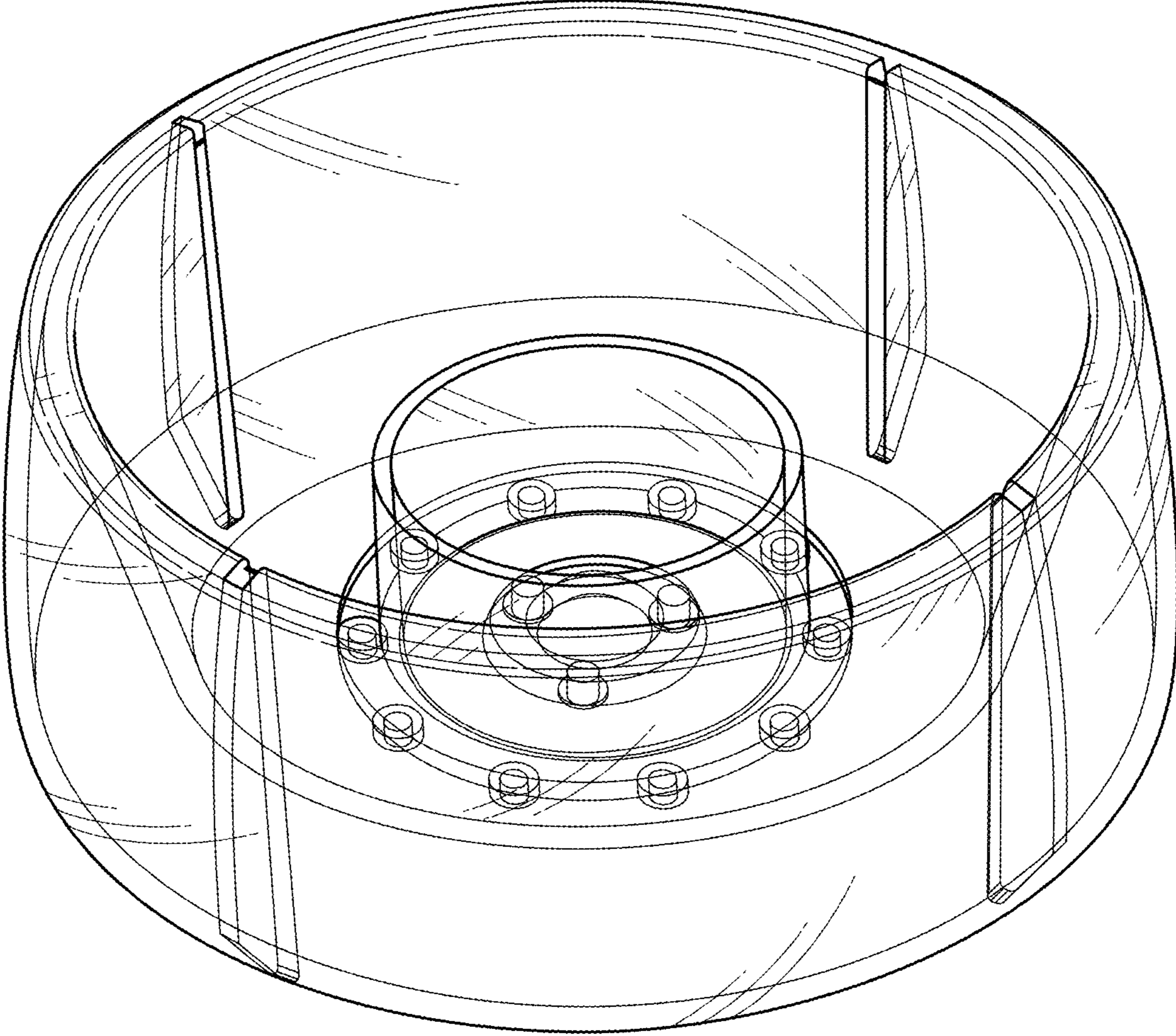


FIG. 1

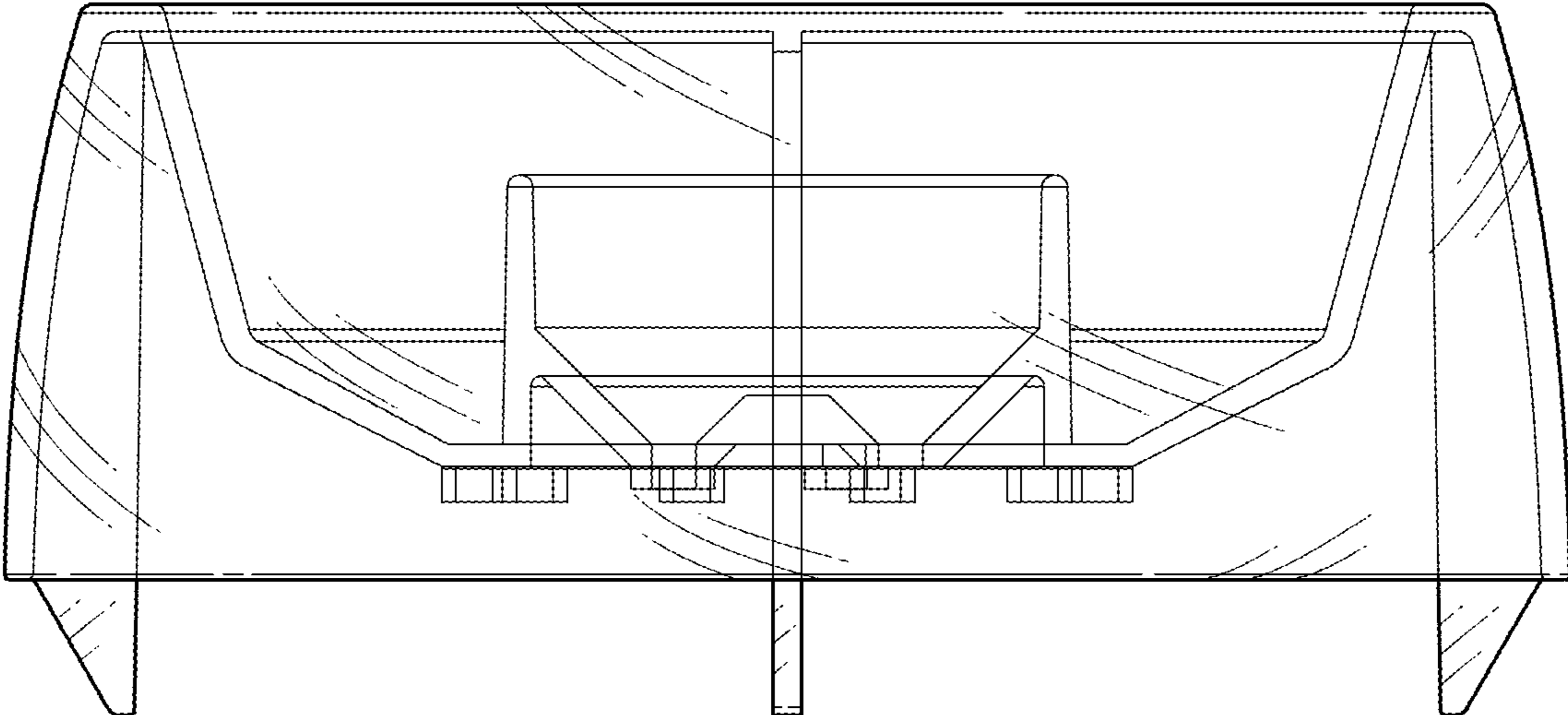


FIG. 2

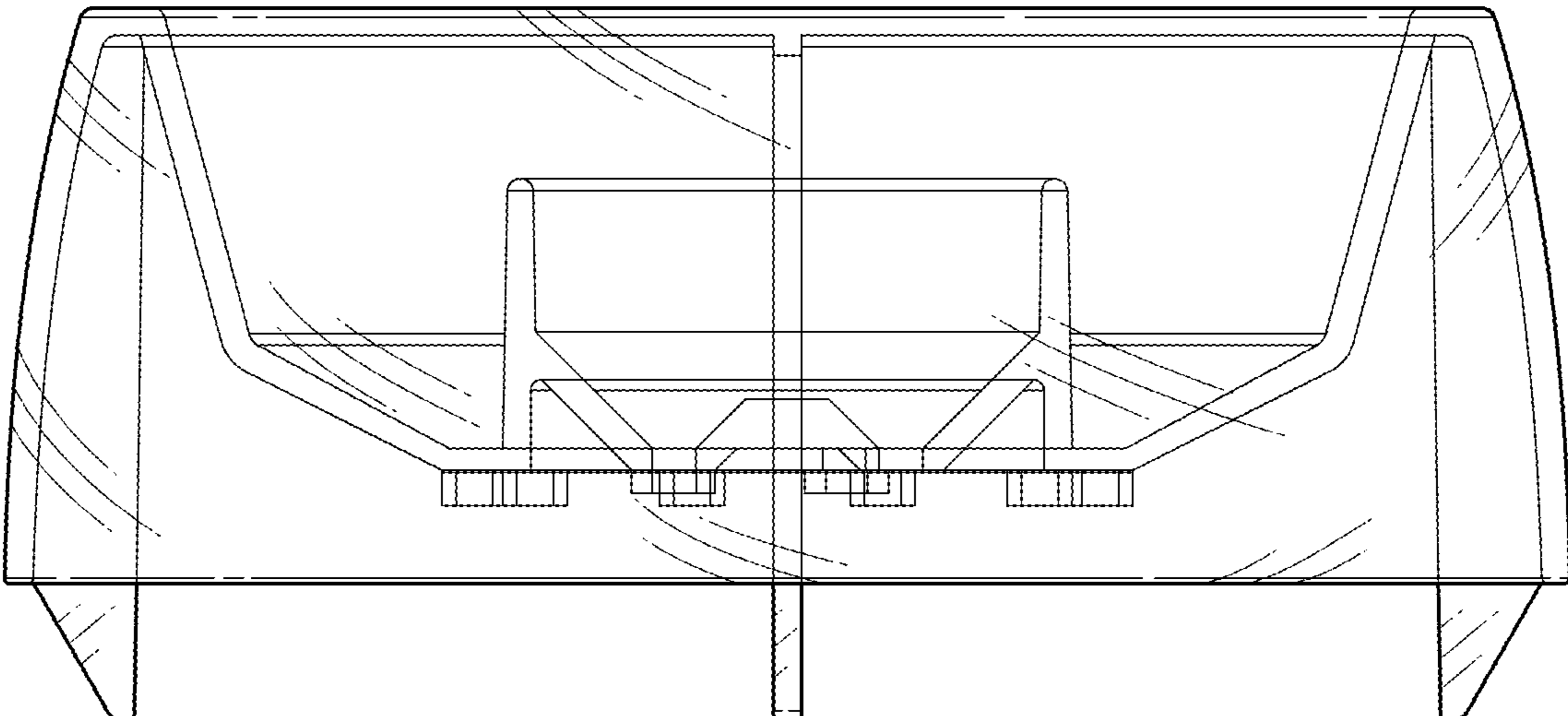


FIG. 3

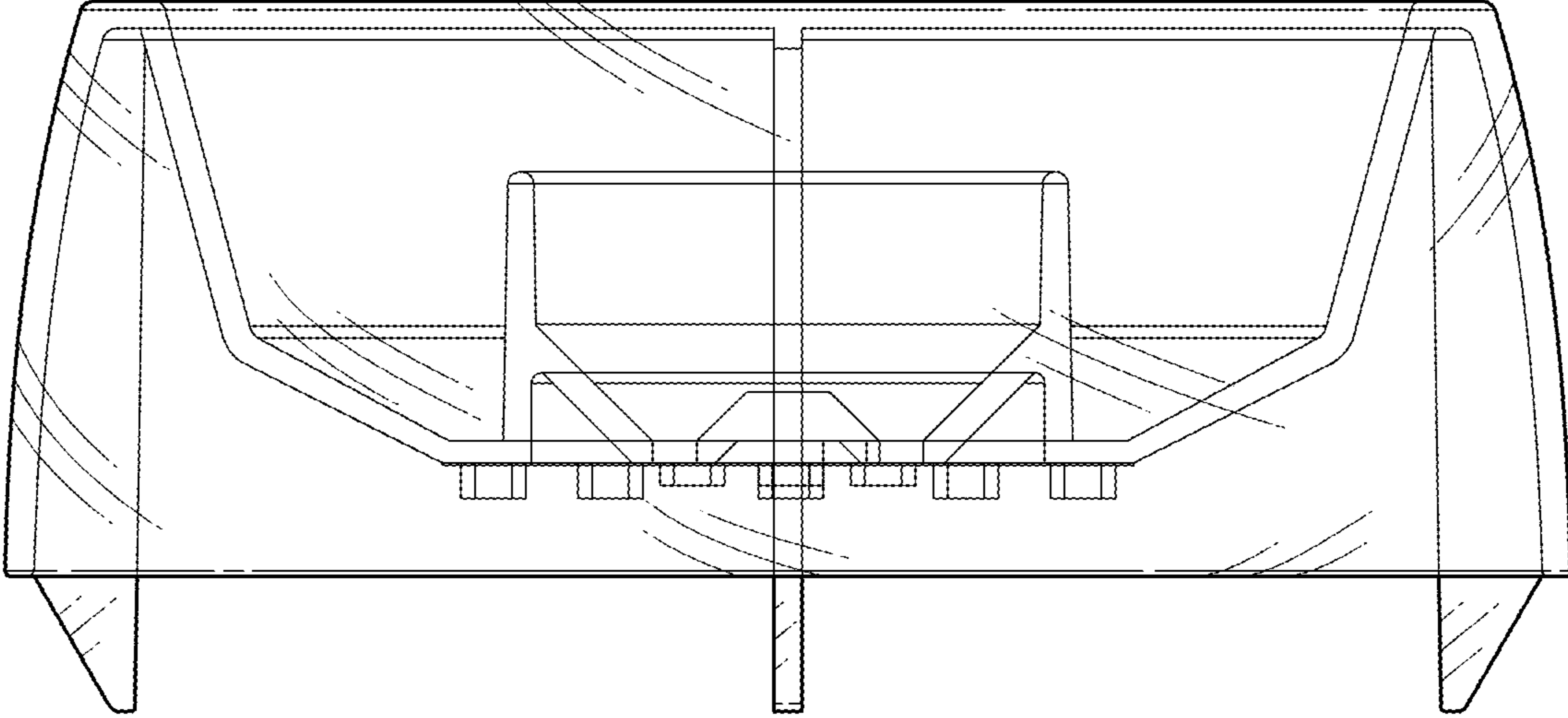


FIG. 4

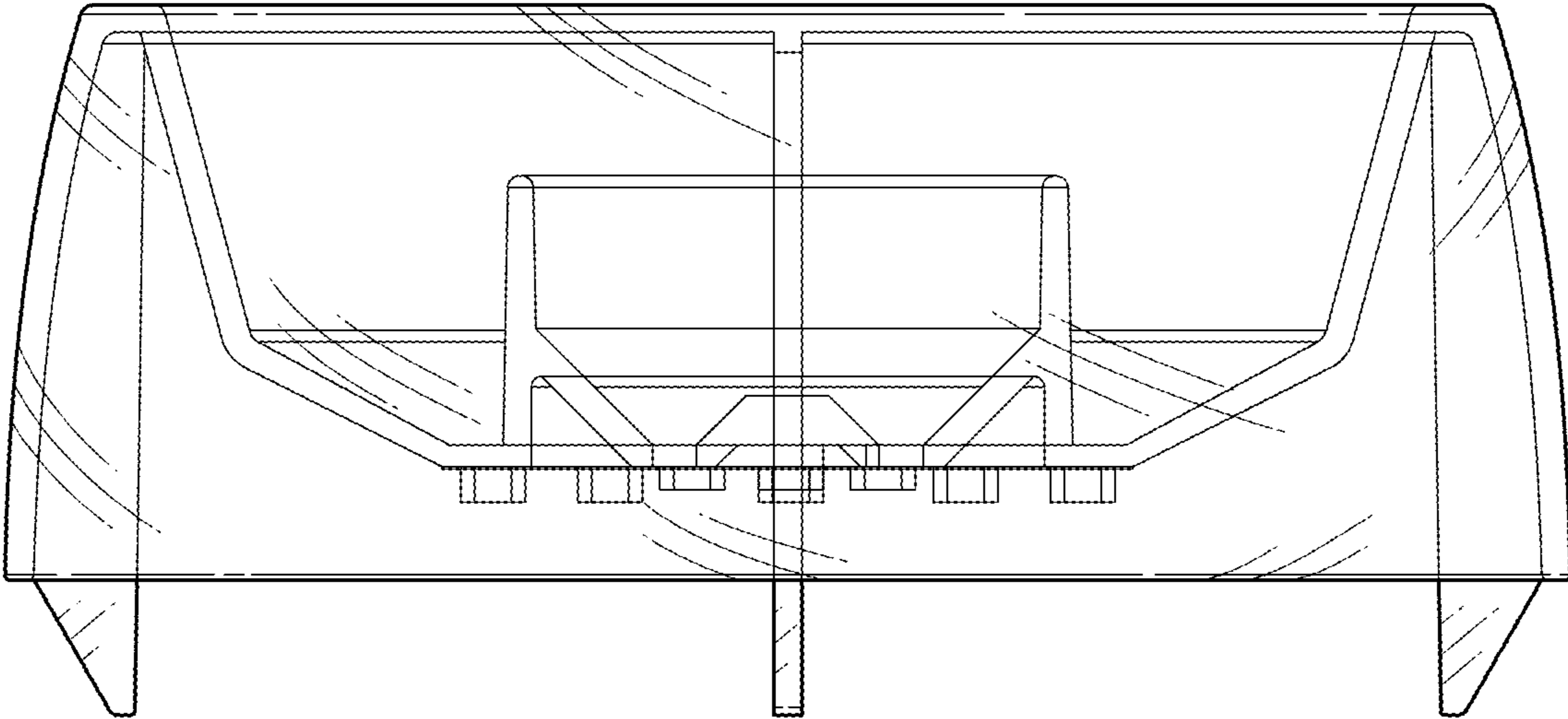


FIG. 5

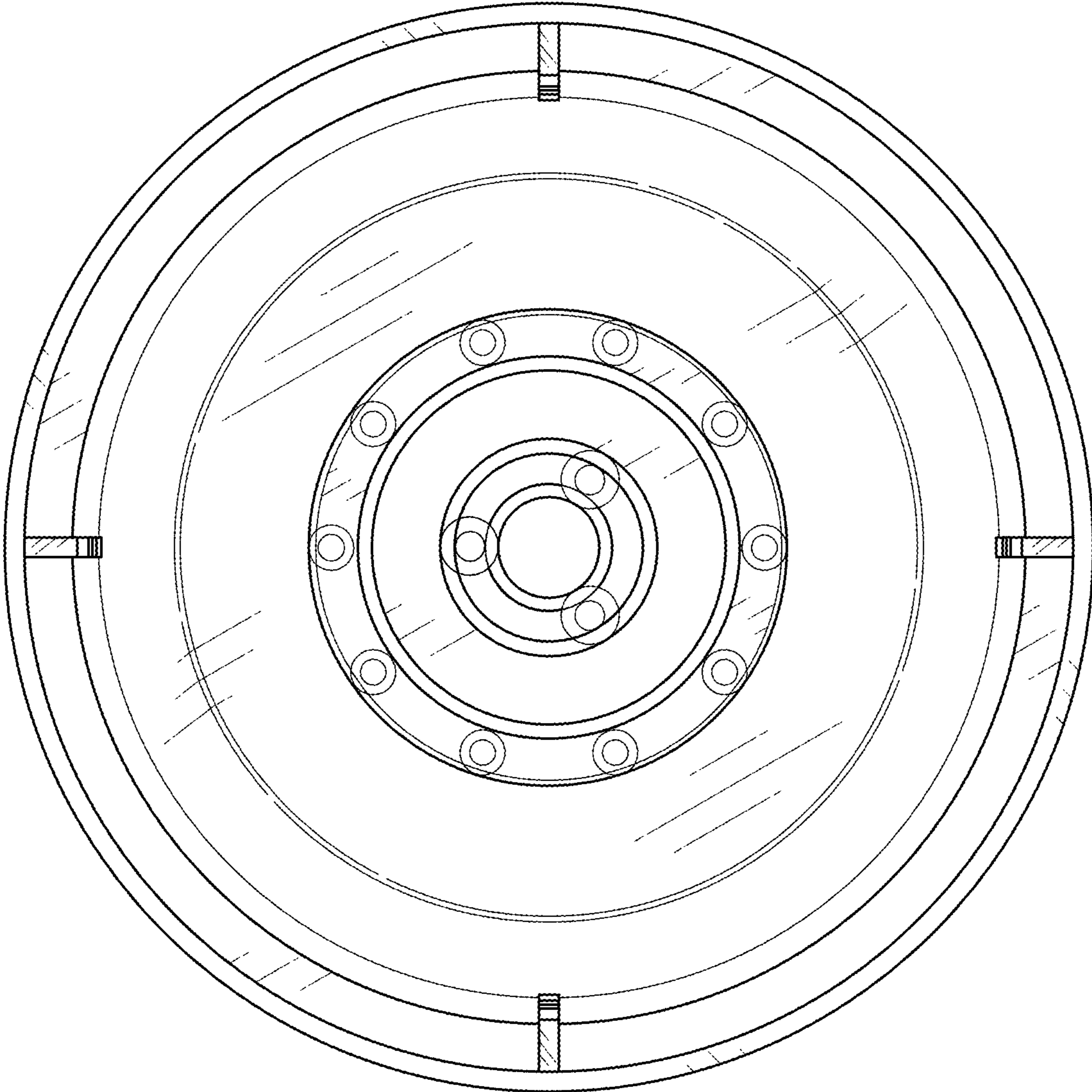


FIG. 6

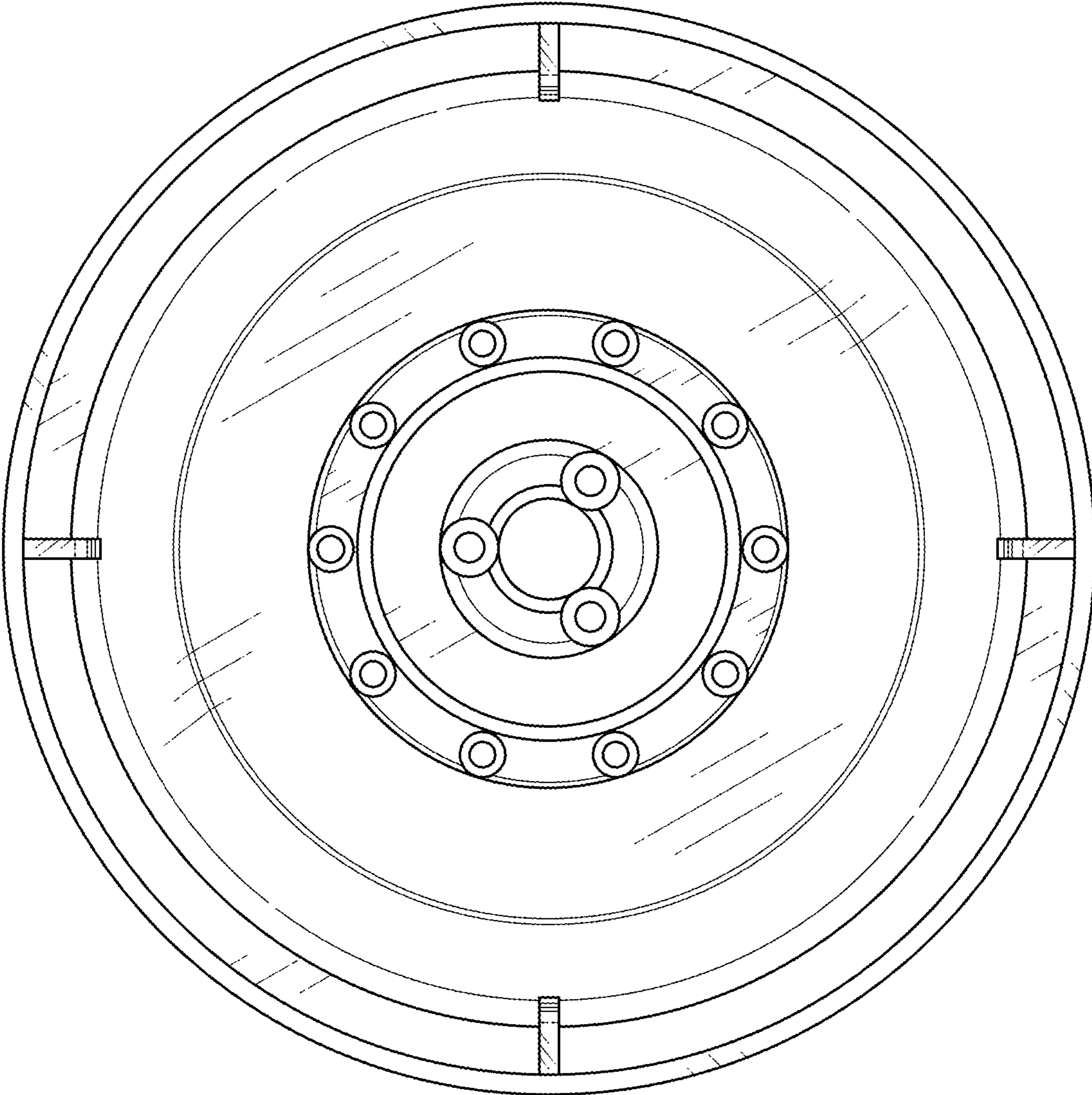


FIG. 7