



US00D985332S

(12) **United States Design Patent** (10) **Patent No.:** **US D985,332 S**
Tehrani et al. (45) **Date of Patent:** **** May 9, 2023**

(54) **COOKWARE**

- (71) Applicant: **Lagom Kitchen Co.**, Culver City, CA (US)
- (72) Inventors: **Amir Tehrani**, Los Angeles, CA (US); **Zachary Rosner**, Los Angeles, CA (US); **Stuart Harvey Lee**, Forest Hills, NY (US); **Jochen Schaepers**, New York, NY (US)
- (73) Assignee: **Lagom Kitchen Co.**, Culver City, CA (US)
- (**) Term: **15 Years**
- (21) Appl. No.: **29/846,106**
- (22) Filed: **Jul. 13, 2022**

Related U.S. Application Data

- (60) Continuation of application No. 29/825,171, filed on Jan. 28, 2022, which is a continuation of application (Continued)
- (51) **LOC (14) Cl.** **07-03**
- (52) **U.S. Cl.**
USPC **D7/395**
- (58) **Field of Classification Search**
USPC D7/323, 352, 354, 355, 356, 357, 358, D7/359, 360, 361, 362, 363, 364, 365, D7/366, 391, 393, 394, 395, 402; D3/304; D9/736, 749, 755, 758, 760, D9/456
CPC .. A21B 3/00; A21B 3/13; A21B 3/131; A21B 3/132; A21B 3/135; A21B 3/136; A21B 3/137; A47J 29/00; A47J 29/02; A47J 29/06; A47J 36/00; A47J 36/02; A47J 36/06; A47J 36/16; A47J 36/24; A47J 36/022; A47J 36/027; A47J 37/00; A47J (Continued)

(56) **References Cited**

U.S. PATENT DOCUMENTS

D28,261 S 2/1898 Bowers
D41,717 S 8/1911 Swan
(Continued)

FOREIGN PATENT DOCUMENTS

CA 2455023 A1 7/2004
CN 3429097 3/2005
(Continued)

OTHER PUBLICATIONS

The Instafamous Always Pan Is Not Worth the Hype, announced Oct. 19, 2021 [online], retrieved Feb. 23, 2023, retrieved from internet, <https://www.nytimes.com/wirecutter/reviews/always-pan-our-place/> (Year: 2021).*

(Continued)

Primary Examiner — Messina L Smith

(74) *Attorney, Agent, or Firm* — Banner & Witcoff, Ltd.

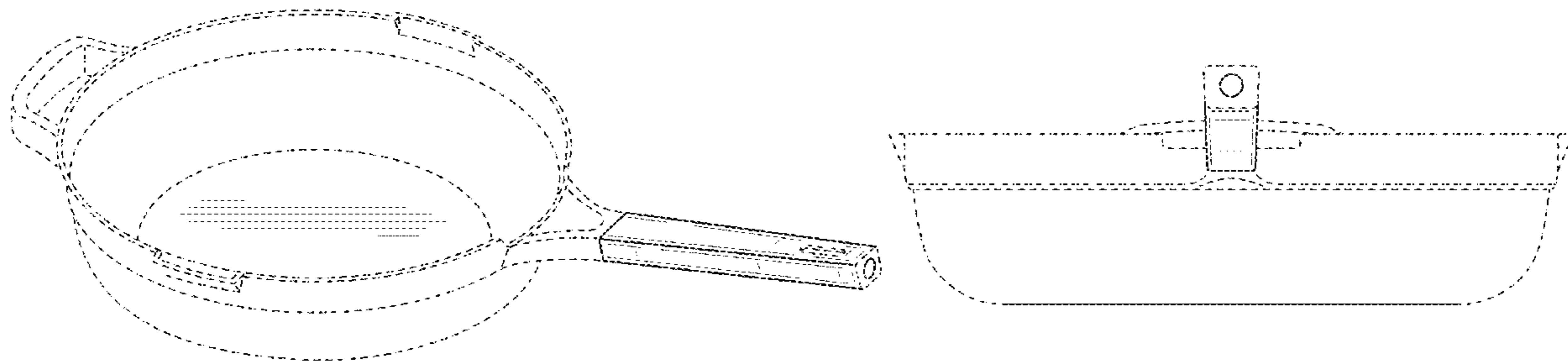
(57) **CLAIM**

The ornamental design for a cookware, as shown and described.

DESCRIPTION

FIG. 1 is a top, rear perspective view of a cookware showing our new design;
FIG. 2 is a rear view thereof;
FIG. 3 is a front view thereof;
FIG. 4 is a right side view thereof; and,
FIG. 5 is a left side view thereof.
The broken lines immediately adjacent to the shaded area define the bounds of the claimed design and form no part thereof. The broken lines depicting the remainder of the cookware form no part of the claimed design.

1 Claim, 5 Drawing Sheets



Related U.S. Application Data

No. 29/800,803, filed on Jul. 23, 2021, now Pat. No. Des. 972,881, which is a division of application No. 29/748,445, filed on Aug. 28, 2020, now Pat. No. Des. 929,798, which is a continuation-in-part of application No. 29/699,401, filed on Jul. 25, 2019, now Pat. No. Des. 916,547.

- (58) **Field of Classification Search**
 CPC . 37/01; A47J 37/04; A47J 37/06; A47J 37/10;
 A47J 37/07
 See application file for complete search history.

(56) **References Cited**

U.S. PATENT DOCUMENTS

D180,546	S	7/1957	Coon	
3,349,948	A	10/1967	Hughes	
D212,704	S	11/1968	Benes	
4,310,418	A	1/1982	Busbey	
D267,388	S	12/1982	Spoeth, Jr. et al.	
D273,168	S	3/1984	Bowen et al.	
D273,755	S	5/1984	Thurlow	
D274,402	S	6/1984	Ziskind	
4,845,893	A	7/1989	Racine	
D324,624	S	3/1992	Gerlach	
5,377,859	A	1/1995	Hacker	
D363,851	S	11/1995	Chen	
D368,623	S	4/1996	Hacker	
D370,826	S	6/1996	Thurlow	
5,544,568	A	8/1996	Potgieter	
D412,810	S	8/1999	Alfred	
5,967,024	A *	10/1999	DeMars	A47J 37/10 99/425
D452,413	S	12/2001	Rae	
6,419,107	B1	7/2002	Cheng	
D469,655	S	2/2003	Ryan et al.	
D480,598	S	10/2003	Teisen-Simony et al.	
6,730,889	B1	5/2004	Jones-Lawlor	
D497,771	S *	11/2004	Thomkins	D7/395
6,848,592	B2	2/2005	Logiudice	
D537,671	S *	3/2007	Hoenstein	D7/361
D537,672	S *	3/2007	Hoenstein	D7/361
D552,925	S *	10/2007	Kloppsteck	D7/361
D559,032	S	1/2008	Kellermann et al.	
D572,523	S	7/2008	Baker	
D579,714	S	11/2008	Cheng et al.	
D579,715	S *	11/2008	Pawson	D7/361
D580,214	S	11/2008	Dodane	
D581,721	S	12/2008	Rae	
D587,062	S	2/2009	Ek	
D587,519	S	3/2009	Cheng et al.	
D592,483	S	5/2009	Ricereto	
D598,705	S *	8/2009	Tetreault	D7/395
D600,497	S *	9/2009	Ek	D7/361
D625,949	S	10/2010	Rae	
D677,519	S *	3/2013	Montgomery	D7/361
D734,982	S	7/2015	Sampognaro et al.	
D736,589	S	8/2015	Watson	
D738,676	S	9/2015	Accoceberry	
D749,356	S	2/2016	Steiner	
D756,163	S	5/2016	Gabbay	
D757,486	S	5/2016	Steiner	
D763,618	S	8/2016	Feng et al.	
D794,379	S	8/2017	Mejia	
D796,412	S	9/2017	Aker, Jr.	
D797,494	S	9/2017	Mirchandani et al.	
D798,649	S	10/2017	Keating	
D798,650	S	10/2017	Joseph	
D812,414	S	3/2018	Kastner et al.	
9,930,990	B1 *	4/2018	Gupta	A47J 36/06
D819,393	S	6/2018	Dodane	
D826,630	S	8/2018	Wong	
D832,024	S	10/2018	Wessels	
D847,562	S	5/2019	Wang	
D850,186	S	6/2019	Livingston	

D852,576	S	7/2019	Jamison et al.	
D879,546	S	3/2020	Hollinger	
D880,222	S	4/2020	Hollinger	
10,610,057	B1	4/2020	Billman et al.	
D883,731	S	5/2020	Tsai	
D888,490	S	6/2020	Li	
D914,477	S	3/2021	Watson	
D916,547	S *	4/2021	Tehrani	D7/361
D922,131	S	6/2021	Hoff et al.	
D925,274	S	7/2021	Dorion et al.	
D929,798	S *	9/2021	Tehrani	D7/361
D931,679	S	9/2021	Lee	
D940,531	S	1/2022	Anderson	
D942,836	S	2/2022	Groleski	
D959,891	S *	8/2022	Tehrani	D7/354
D969,544	S *	11/2022	Munari	D7/395
D972,881	S	12/2022	Tehrani et al.	
D976,052	S *	1/2023	Olsen	D7/360
2001/0042753	A1	11/2001	Park	
2004/0060936	A1	4/2004	Logiudice	
2009/0095169	A1	4/2009	York	
2011/0073602	A1	3/2011	Musil et al.	
2011/0260023	A1	10/2011	Braun	
2012/0055347	A1	3/2012	Kim	
2012/0312822	A1	12/2012	Cheng et al.	
2013/0037553	A1	2/2013	Bourbeau et al.	
2014/0183148	A1 *	7/2014	Ho	A47J 47/16 211/49.1
2014/0326733	A1	11/2014	Park	
2015/0083711	A1	3/2015	Moon et al.	
2017/0172345	A1	6/2017	Bennett	
2017/0245672	A1	8/2017	Lee	
2018/0103800	A1 *	4/2018	Bischoff	A47J 37/108
2018/0271332	A1	9/2018	Chang et al.	
2018/0368625	A1 *	12/2018	Wada	A47J 43/287
2020/0180815	A1	6/2020	Hollinger	
2020/0237162	A1	7/2020	Huang et al.	
2020/0305643	A1	10/2020	Rodriguez	
2022/0133082	A1 *	5/2022	Tehrani	A47J 27/04 220/573.1

FOREIGN PATENT DOCUMENTS

CN	3529814	5/2006
CN	300721099	12/2007
CN	301663958 S	9/2011
CN	302251535 S	12/2012
CN	302713924 S	1/2014
CN	303230005 S	6/2015
CN	303538753 S	1/2016
CN	303708222 S	6/2016
CN	304155752 S	6/2017
CN	304178879 S	6/2017
CN	304290882 S	9/2017
CN	304628002 S	5/2018
CN	304740899 S	7/2018
CN	304872617 S	11/2018
CN	304872685 S	11/2018
CN	305113101 S	4/2019
CN	305207802	6/2019
CN	305243354 S	7/2019
CN	305335467 S	9/2019
CN	305354514 S	9/2019
CN	305607190	2/2020
CN	305731511 S	4/2020
CN	305901563 S	7/2020
CN	305917887 S	7/2020
CN	305954301	7/2020
CN	306001790 S	8/2020
CN	306009046 S	8/2020
CN	306528079	5/2021
CN	306954313	11/2021
CN	307306938	5/2022
CN	307334597	5/2022
CN	307428271	* 7/2022
CN	307802893	* 1/2023
DE	8521152 U1	10/1985
EM	007538731-0001	1/2020
EM	007538731-0002	1/2020

(56)

References Cited

FOREIGN PATENT DOCUMENTS

EM	007538731-0003		1/2020
EP	2976977	A1	1/2016
GB	1050900	S	5/1988
GB	9007538731-0001		1/2020
GB	9007538731-0002		1/2020
GB	9007538731-0003		1/2020
GB	6241274	*	11/2022
HK	2017362-0001	*	3/2021
IN	347676-001-0001	*	10/2021
JP	D1509108	S	10/2014
JP	D1539389	S	12/2015
JP	D1609147	S	6/2018
RU	2264152	C1	11/2005
WO	2010080738	A1	7/2010

OTHER PUBLICATIONS

GET \$30 Off the Internet'S Most Sold out Pan Just in Time for Mother'S Day, announced Apr. 20, 2021 [online], retrieved Feb. 23, 2023, retrieved from internet, <https://www.intheknow.com/post/always-pan-sale/> (Year: 2021).*

The 8 Best Cookware Sets of 2023, Tested and Reviewed, announced Jan. 26, 2023 [online], retrieved Feb. 23, 2023, retrieved from internet, <https://www.thespruceeats.com/best-cookware-sets-4077248> (Year: 2023).*

Porcelain Bamboo Handle Square Serving Pan, announced © 2022 [online], retrieved Feb. 23, 2023, retrieved from internet, <https://www.loftry.com/porcelain-bamboo-handle-square-serving-pan.html> (Year: 2022).*

Taste plus Grill Pan, announced Jul. 21, 2022 [online], retrieved Feb. 23, 2023, retrieved from internet, <https://www.amazon.com/Taste-plus-Nonstick-Square-Wooden/dp/B0B76XKT5D> (Year: 2022).*

Evaco Non-Stick Ceramic Stir Fry Pan, announced Mar. 22, 2022 [online], retrieved Feb. 23, 2023, retrieved from internet, <https://www.mytoque.com/collections/all-cookware/products/stir-fry-12-ceramica-29793> (Year: 2022).*

Aug. 5, 2022—(CA) Examination Report—App. No. 198565.

Always Pan, announced Dec. 16, 2019 [online], retrieved Sep. 25, 2020 from Internet, https://fromourplace.com/products/always-essential-cooking-pan?utm_source=pepperjam&utm_medium=affiliate&utm_campaign=200286&clickId=3276306738.

These Designers Created a Pan That Is Able to Replace Most of Your Cookware by Itself, announced Nov. 28, 2019 [online], retrieved Sep. 25, 2020 from Internet, <https://fortune.com/2019/11/28/our-place-always-pan-cookware-design/>.

A Pan for Just About Anything, announced Sep. 23, 2019 [online], retrieved Sep. 25, 2020 from Internet, <https://www.nytimes.com/2019/09/23/dining/always-pan-from-our-place.html>.

Our Place Always Pan Review, announced Feb. 23, 2021 [online], retrieved Jun. 7, 2022, retrieved from internet, <https://lemonstripes.com/lifestyle/our-place-always-pan-review/>.

How to Make Keto Potstickers, announced Mar. 17, 2020 [online], retrieved Jun. 7, 2022, retrieved from internet, <https://homemadeforelle.com/how-to-make-keto-potstickers/>.

Can the Always Pan Replace All of Your Cookware?, announced Feb. 7, 2020 [online], retrieved Jun. 7, 2022, retrieved from internet, <https://www.epicurious.com/expert-advice/our-place-always-pan-review-article>.

This Always Pan Dupe Is More Than \$100 Off RN & Shoppers Say It Makes Cooking So 'Seamless', announced Feb. 15, 2022 [online], retrieved Jun. 7, 2022, retrieved from internet, <https://stylecaster.com/macys-always-pan-dupe/>.

No. 10 Cast Iron Skillet Lid, announced Jun. 23, 2021 [online], retrieved Jun. 7, 2022, retrieved from internet, <https://fieldcompany.com/products/no-10-cast-iron-skillet-lid>.

Legend Cast Iron Skillet with Lid, announced Sep. 10, 2019 [online], retrieved Jun. 7, 2022, retrieved from internet, <https://www.amazon.com/Legend-Cast-Iron-Skillet-Lid/dp/B07XQJR9FY>.

Lodge Seasoned Cast Iron Skillet with Tempered Glass Lid, announced May 31, 2017 [online], retrieved Jun. 7, 2022, retrieved from internet, <https://www.amazon.com/Lodge-Seasoned-Skillet-Tempered-Glass/dp/B071J9HH51>.

Cast Iron Storage, announced Feb. 24, 2021 [online], retrieved Jun. 7, 2022, retrieved from internet, <https://www.southerncastiron.com/cast-iron-storage/>.

A Pan for Just About Anything, announced Sep. 23, 2019 [online], retrieved Dec. 23, 2020, retrieved from internet, <https://www.nytimes.com/2019/09/23/dining/always-pan-from-our-place.html>.

For a New Cook, This \$145 Pan Feels Like a Steal, announced May 22, 2020 [online], retrieved Dec. 23, 2020, retrieved from internet, <https://www.gearpatrol.com/home/a725974/our-place-always-pan-review/>.

Nov. 25, 2022—(CA) Office Action—App. No. 198565.

The Instafamous Always Pan Is Not Worth the Hype, announced Oct. 19, 2021 [online], retrieved Feb. 9, 2023, retrieved from internet, <https://www.nytimes.com/wirecutter/reviews/always-pan-our-place/>.

Get \$30 Off the Internet's Most Sold out Pan Just in Time for Mother's Day, announced Apr. 20, 2021 [online], retrieved Feb. 9, 2023, retrieved from internet, <https://www.intheknow.com/post/always-pan-sale/>.

The 8 Best Cookware Sets of 2023, announced Jan. 26, 2023 [online], retrieved Feb. 9, 2023, retrieved from internet, <https://www.thespruceeats.com/best-cookware-sets-4077248>.

Porcelain Bamboo Handle Square Serving Pan, announced 2022 [online], retrieved Feb. 9, 2023, retrieved from internet, <https://www.loftry.com/porcelain-bamboo-handle-square-serving-pan.html>.

Taste plus Grill Pan, announced Jul. 21, 2022 [online], retrieved Feb. 9, 2023, retrieved from internet, <https://www.amazon.com/Taste-plus-Nonstick-Square-Wooden/dp/B0B76XKT5D>.

Evaco Non-Stick Ceramic Stir Fry Pan, announced Mar. 22, 2022 [online], retrieved Feb. 9, 2023, retrieved from internet, <https://www.mytoque.com/collections/all-cookware/products/stir-fry-12-ceramica-29793>.

Jan. 19, 2022—(CN) Patent Evaluation Report—App 202030797729. 2.

Jan. 19, 2022—(CN) Patent Evaluation Report—App 202030795752. 8.

Feb. 7, 2023—(CN) Patent Evaluation Report—App 2020301673325.

* cited by examiner

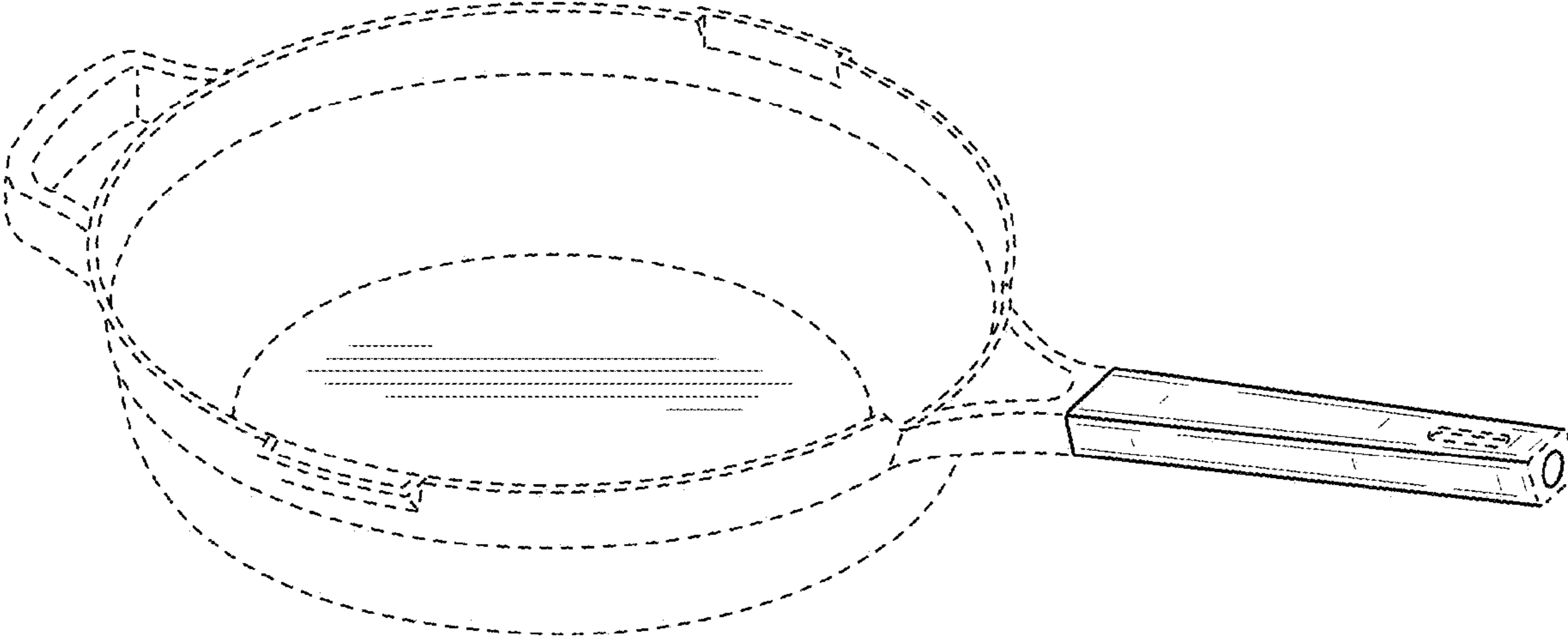


FIG. 1

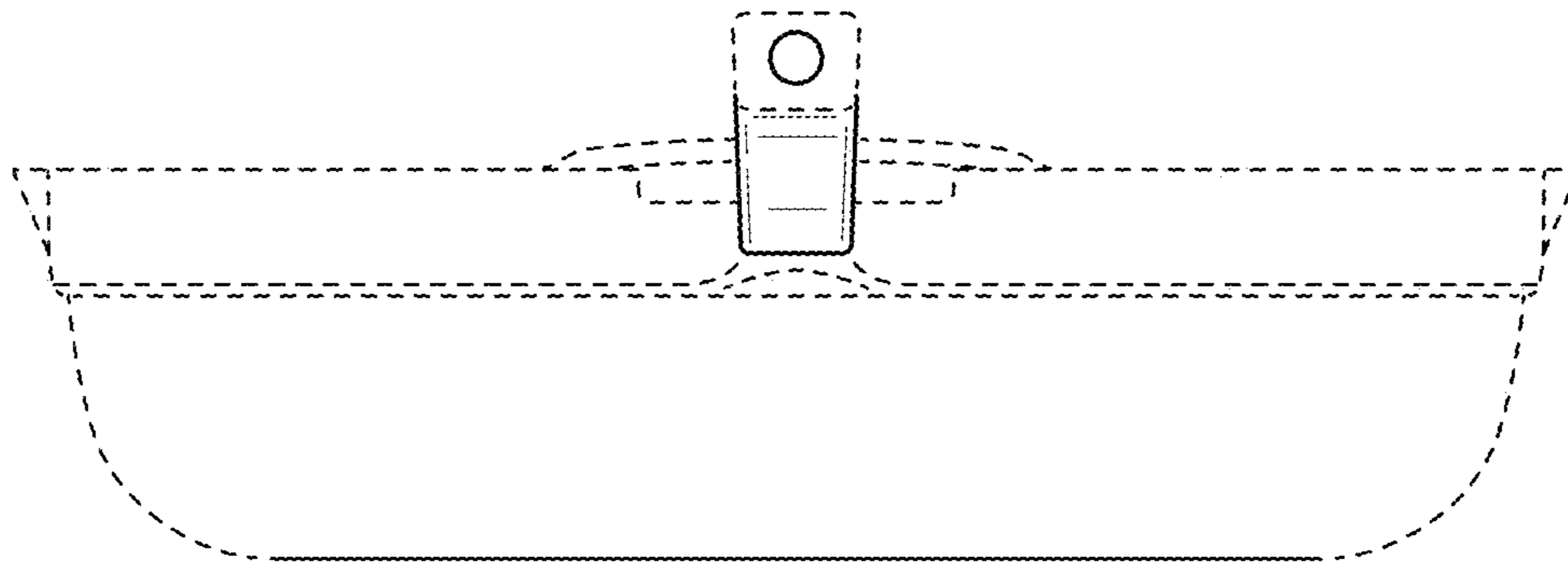


FIG. 2

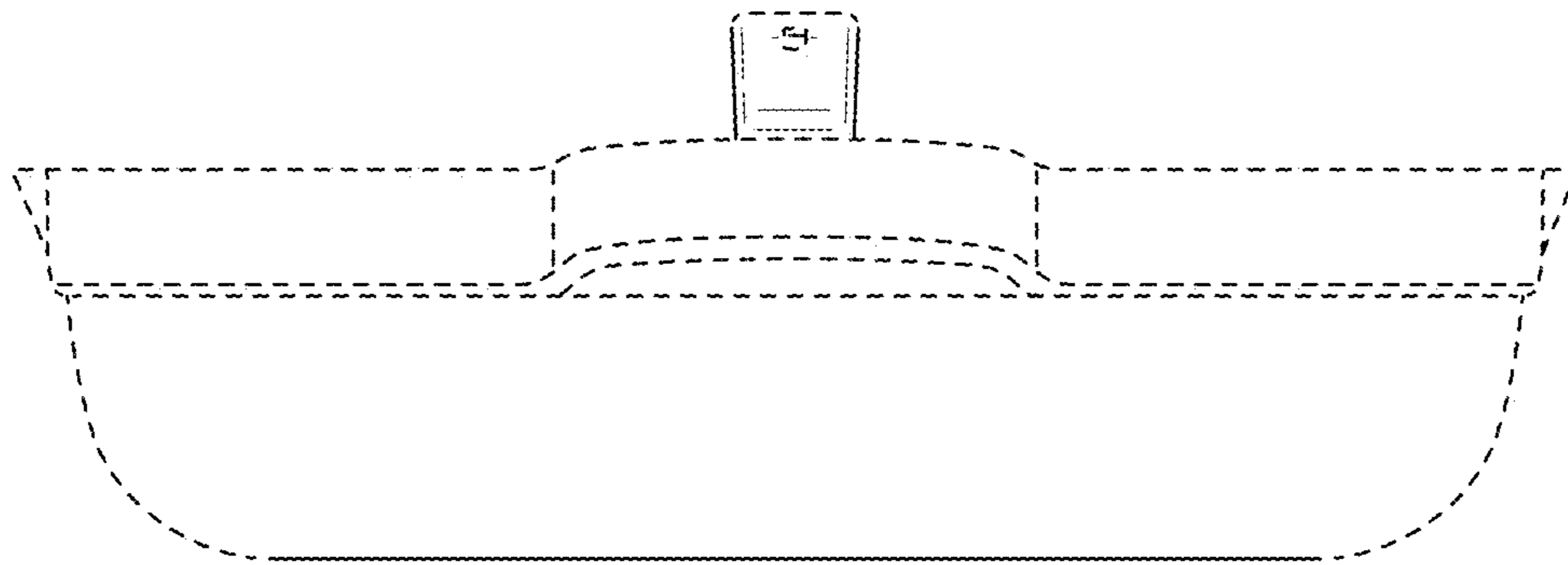


FIG. 3

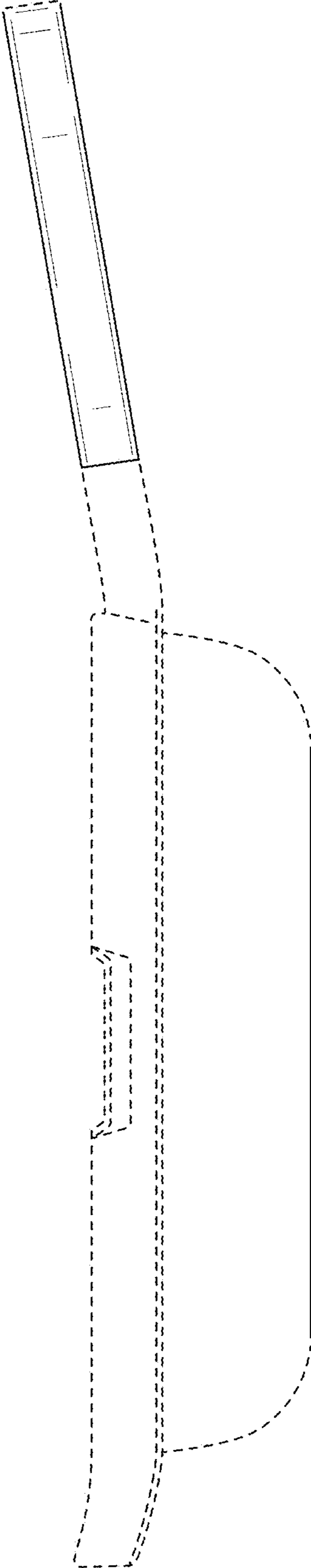


FIG. 4

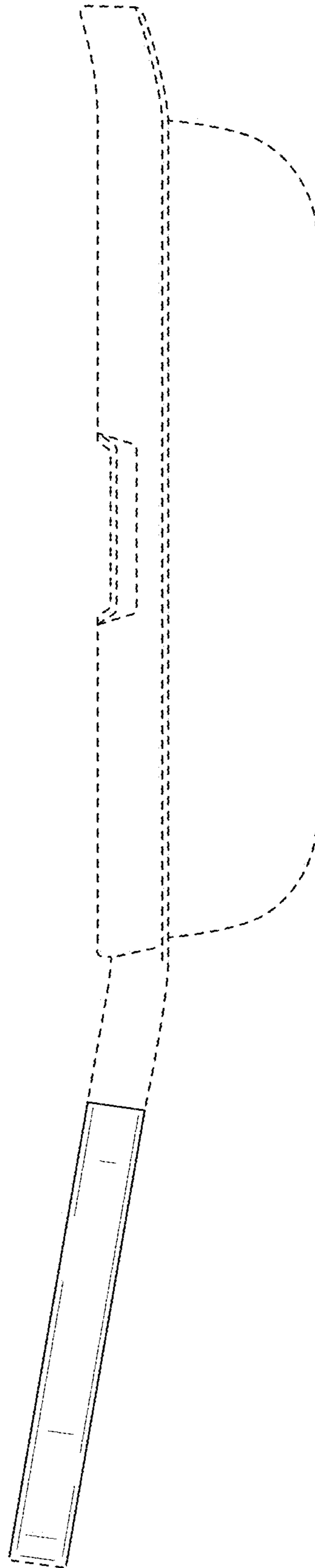


FIG. 5