



US00D985331S

(12) **United States Design Patent** (10) **Patent No.:** **US D985,331 S**  
**He et al.** (45) **Date of Patent:** **\*\* May 9, 2023**

(54) **HOUSING FOR A MICRO PUREE MACHINE**

(56)

**References Cited**

- (71) Applicant: **SharkNinja Operating LLC**,  
Needham, MA (US)
- (72) Inventors: **Pushan He**, Shenzhen (CN); **Ting Hua Zhang**, Shenzhen (CN); **Ping Chu**,  
Kowloon (HK)
- (73) Assignee: **SHARKNINJA OPERATING LLC**,  
Needham, MA (US)
- (\*\*) Term: **15 Years**
- (21) Appl. No.: **29/814,064**
- (22) Filed: **Nov. 3, 2021**

U.S. PATENT DOCUMENTS

1,428,704 A	9/1922	Petri
1,579,355 A	4/1926	Greenawalt
1,583,591 A	5/1926	Greenawalt
1,781,321 A	11/1930	Dehuff
1,924,991 A	8/1933	Harvie
2,026,240 A	12/1935	Luxmore
2,157,683 A	5/1939	Vollrath
2,181,079 A	11/1939	Dehuff
2,251,903 A	8/1941	Anstice et al.
2,457,533 A	12/1948	Dehuff
2,609,189 A	9/1952	Dering
2,798,701 A	7/1957	Collura
2,811,339 A	10/1957	Osborne
3,505,075 A	4/1970	Black
4,173,925 A	11/1979	Leon
4,547,076 A	10/1985	Maurer
4,601,583 A	7/1986	Amorese
4,637,221 A	1/1987	Levine
4,898,474 A	2/1990	Lipson
5,090,816 A	2/1992	Socha
5,383,726 A	1/1995	Lanaro
5,653,535 A	8/1997	Xie et al.
5,690,427 A	11/1997	Jennings
5,803,377 A	9/1998	Farrell
5,836,687 A	11/1998	Khalid
5,860,738 A	1/1999	Brinkman
5,908,242 A	6/1999	St. John
5,934,802 A	8/1999	Xie
6,213,007 B1	4/2001	Lande
6,250,794 B1	6/2001	Huang
6,298,668 B1	10/2001	Lo
6,301,919 B1	10/2001	Blaustein et al.
6,302,014 B1	10/2001	Kuan
6,332,333 B1	12/2001	Lee
6,370,892 B1	4/2002	Ross
6,389,962 B1	5/2002	Han et al.
6,438,987 B1	8/2002	Pahl
6,474,862 B2	11/2002	Farrell
6,494,610 B1	12/2002	Brunswick
6,510,704 B1	1/2003	Russell
6,510,890 B1	1/2003	Paskach et al.
6,553,779 B1	4/2003	Boyer et al.
6,599,007 B2	7/2003	Ryoo et al.
6,651,849 B2	11/2003	Schroeder et al.
6,715,706 B1	1/2004	Planca
6,698,228 B2	3/2004	Kateman et al.
6,730,348 B2	5/2004	Miller et al.
6,735,967 B1	5/2004	Bischel et al.
6,772,675 B2	8/2004	Ervin

**Related U.S. Application Data**

(63) Continuation-in-part of application No. 17/508,565, filed on Oct. 22, 2021, which is a continuation of application No. 17/139,542, filed on Dec. 31, 2020, now Pat. No. 11,154,163.

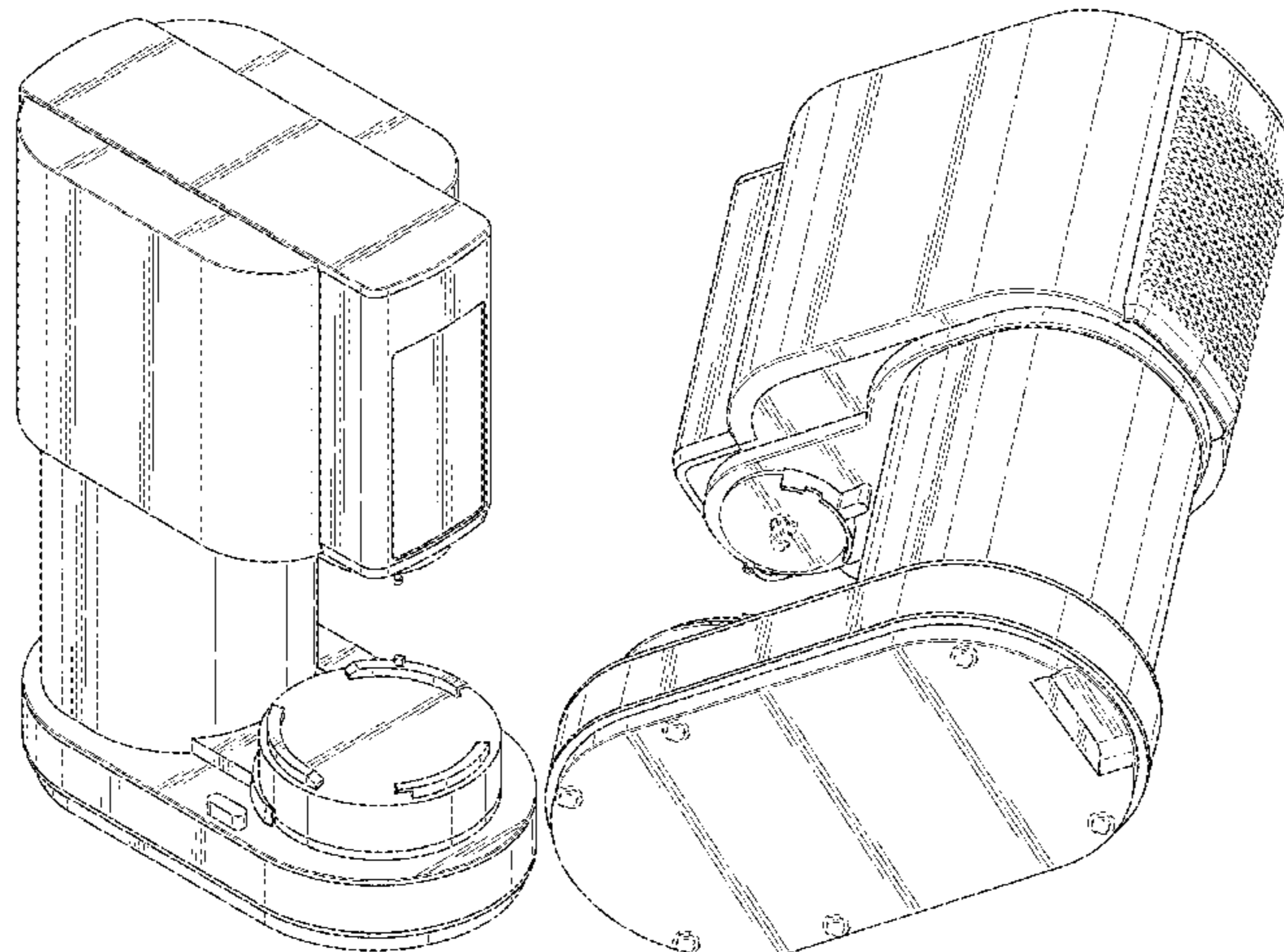
(51) **LOC (14) Cl.** ..... **31-00**

(52) **U.S. Cl.**  
USPC ..... **D7/384; D7/376; D7/378**

(58) **Field of Classification Search**  
USPC ..... D7/309, 372, 376-386, 393, 412-413,  
D7/586, 602, 629, 665-666, 669, 679,  
D7/693-694

CPC .... A21C 1/02; A21C 1/04; A23N 1/00; A23N  
1/02; A47J 43/04; A47J 43/07; A47J  
43/25; A47J 43/27; A47J 43/042; A47J  
43/044; A47J 43/046; A47J 43/075; A47J  
43/0722; A47J 43/0727; B01F 3/00; B01F  
3/0807; B01F 3/0853; B01F 13/0059;  
B01F 13/0064; B02C 1/08; B02C 2/04;  
B02C 4/42; B02C 4/142; B02C 4/143;  
B02C 4/423; B02C 13/1835; B28C 5/10;  
B28C 5/12; B28C 5/14; B28C 5/16;  
B65D 25/24

See application file for complete search history.





# US D985,331 S

D496,213 S *	9/2004	Midden .....	D7/311	9,816,748 B2	11/2017	Akan et al.	
6,817,203 B1	11/2004	Rischewski		9,833,109 B2	12/2017	Farrell et al.	
6,817,749 B2	11/2004	Saunders et al.		9,854,820 B2	1/2018	Cocchi et al.	
6,824,303 B2	11/2004	Huang		9,883,685 B2	2/2018	Bunker et al.	
6,848,356 B1	2/2005	Mueller		9,918,484 B2	3/2018	Ekenhorst et al.	
6,863,916 B2	3/2005	Henriksen et al.		9,968,113 B2	5/2018	Lazzarini et al.	
6,866,414 B2	3/2005	Kupidlowski		9,993,016 B1	6/2018	Dyer	
6,892,554 B2	5/2005	Bonato et al.		10,004,250 B2	6/2018	Ugolini	
6,907,743 B2	6/2005	Cocchi et al.		10,028,618 B1	7/2018	Benson	
6,923,010 B2	8/2005	Small et al.		10,039,298 B2	8/2018	Noth et al.	
6,945,067 B2	9/2005	Petersen		10,111,447 B2	10/2018	Noth et al.	
D511,066 S *	11/2005	Garner .....	D7/311	10,123,551 B2	11/2018	Beth Halachmi	
6,966,691 B2	11/2005	Brunswick et al.		10,123,553 B2	11/2018	Cocchi et al.	
6,991,363 B2	1/2006	Brunswick et al.		10,206,414 B2	2/2019	Cocchi et al.	
7,014,354 B2	3/2006	Donthnier et al.		10,251,410 B2	4/2019	Cocchi et al.	
7,017,783 B1	3/2006	Hunter et al.		10,285,417 B2	5/2019	Cocchi et al.	
7,028,607 B2	4/2006	Zweben		10,306,905 B2	6/2019	Cocchi	
7,047,758 B2	5/2006	Ross		10,321,700 B2	6/2019	Cocchi et al.	
7,048,217 B2	5/2006	Dickson, Jr. et al.		10,375,973 B2	8/2019	Noth et al.	
7,081,265 B2	7/2006	Wanat		D858,194 S	9/2019	Kiser	
7,266,952 B2	9/2007	Ross et al.		10,405,562 B2	9/2019	Cocchi et al.	
7,275,386 B2	10/2007	Cigolini		10,443,917 B2	10/2019	Kim	
7,325,413 B2	2/2008	Ball		10,463,059 B2	11/2019	Bush	
7,384,187 B2	6/2008	Blackburn et al.		10,477,879 B2	11/2019	Cocchi et al.	
7,395,751 B2	7/2008	Liu		10,512,276 B2	12/2019	Popov et al.	
7,412,845 B2	8/2008	Boulos et al.		10,542,766 B2	1/2020	Cocchi et al.	
7,448,516 B2	11/2008	Davis et al.		10,561,158 B2	2/2020	Cocchi et al.	
7,451,613 B2	11/2008	Barracough et al.		10,568,336 B2	2/2020	Choudhary et al.	
7,455,868 B2	11/2008	Kennedy et al.		10,588,330 B2	3/2020	Cocchi et al.	
7,572,472 B2	8/2009	Hermansen		10,602,755 B2	3/2020	Cocchi et al.	
7,573,496 B2	8/2009	Okamura		10,617,130 B2	4/2020	Cocchi et al.	
7,596,963 B2	10/2009	Rasmussen		10,617,131 B2	4/2020	Lazzarini et al.	
7,621,669 B1	11/2009	Gerber		10,624,363 B2	4/2020	Rizvi et al.	
7,647,782 B2	1/2010	Bucceri		10,660,348 B2	5/2020	Cheung	
7,665,398 B2	2/2010	Gerber		10,660,349 B2	5/2020	Cocchi et al.	
7,690,835 B2	4/2010	Schnipke et al.		10,674,742 B2	6/2020	Abu-Ali	
7,712,321 B2	5/2010	Kadyk		10,674,743 B2	6/2020	Ugolini	
7,861,890 B2	1/2011	McGill		10,674,744 B2	6/2020	Cocchi et al.	
D632,921 S *	2/2011	Kang .....	D7/376	10,694,895 B2	6/2020	Zakowski	
7,878,021 B2	2/2011	Perrier et al.		10,701,953 B2	7/2020	Merlini	
7,896,038 B2	3/2011	Jones et al.		10,712,094 B2	7/2020	Cocchi et al.	
7,950,843 B2	5/2011	Blackburn et al.		10,736,336 B2	8/2020	Cocchi et al.	
8,038,339 B2	10/2011	Jejcic		10,743,561 B2	8/2020	Smith	
8,109,113 B2	2/2012	Takata et al.		10,785,992 B2	9/2020	Newton et al.	
8,177,418 B2	5/2012	Edwards et al.		10,799,072 B2 *	10/2020	Ambrose .....	B65D 25/24
8,297,182 B2	10/2012	Cocchi et al.		10,905,134 B2	2/2021	Cocchi et al.	
8,316,761 B2	11/2012	Bravo et al.		10,926,233 B2	2/2021	Goodson	
8,322,274 B2	12/2012	Jejcic		10,945,447 B2	3/2021	Cocchi et al.	
8,479,531 B2	7/2013	Maeda et al.		10,952,455 B2	3/2021	Cocchi et al.	
8,641,265 B2	2/2014	Bravo		10,952,456 B2	3/2021	Cocchi et al.	
D702,487 S	4/2014	Gillette		10,973,240 B1	4/2021	Fonte	
8,746,004 B2	6/2014	Jejcic		10,993,458 B2	5/2021	Cocchi et al.	
8,763,420 B2	7/2014	Eichler		11,019,832 B2	6/2021	Dong	
8,778,436 B2	7/2014	Waletzko et al.		11,019,834 B2	6/2021	Bruckner et al.	
8,807,469 B2	8/2014	Sung		11,021,319 B2	6/2021	Fonte	
8,807,823 B2	8/2014	Williams		11,154,163 B1	10/2021	He et al.	
8,827,541 B2	9/2014	Bravo		11,202,999 B1	12/2021	Harrison, Jr.	
8,845,183 B2	9/2014	Kozlowski et al.		11,311,847 B2	4/2022	Goldsmith	
8,857,197 B1	10/2014	Fisher et al.		11,324,358 B1 *	5/2022	O'Loughlin .....	A47J 43/044
8,920,019 B2	12/2014	Kozlowski et al.		11,503,959 B2	11/2022	Proulx et al.	
8,944,289 B2	2/2015	Cocchi et al.		2002/0093877 A1	7/2002	Brunswick	
9,016,926 B2	4/2015	Cocchi et al.		2003/0058734 A1	3/2003	Poitras	
9,155,322 B2	10/2015	Ricco et al.		2003/0192325 A1	10/2003	Cocchi et al.	
9,186,636 B2	11/2015	Dong et al.		2004/0120213 A1 *	6/2004	Short .....	A47J 43/07 366/206
9,241,501 B2	1/2016	Broadbent et al.					
9,301,537 B2	4/2016	Cocchi et al.		2005/0141340 A1	6/2005	Donthnier et al.	
9,320,290 B2	4/2016	Cocchi et al.		2005/0170054 A1	8/2005	Czark et al.	
9,326,530 B2	5/2016	Ugolini		2005/0183426 A1	8/2005	Learned	
9,326,531 B1	5/2016	Reich et al.		2005/0194484 A1	9/2005	Starr	
9,339,049 B2	5/2016	Jejcic		2005/0207273 A1	9/2005	Newman	
9,375,689 B2	6/2016	Bravo		2005/0249032 A1	11/2005	Heinhold et al.	
9,393,533 B2	7/2016	Little et al.		2006/0062078 A1	3/2006	Jejcic	
9,402,408 B2	8/2016	Cocchi et al.		2006/0158959 A1	7/2006	Huang	
9,433,230 B1	9/2016	Fisher et al.		2006/0171248 A1	8/2006	Chou	
9,579,615 B2	2/2017	Farrell		2006/0227654 A1	10/2006	Blackburn et al.	
9,591,865 B2	3/2017	Ravji et al.		2006/0263490 A1	11/2006	Wall et al.	
9,591,871 B2	3/2017	Ugolini		2007/0095961 A1	5/2007	Lin	
9,635,874 B2	5/2017	Bruckner et al.		2007/0295750 A1	12/2007	Cocchi et al.	
9,763,462 B2	9/2017	He et al.		2007/0297282 A1	12/2007	Procuranti	



# US D985,331 S

				FOREIGN PATENT DOCUMENTS		
2008/0087026	A1	4/2008	Allin et al.			
2008/0219090	A1	9/2008	Heinhold et al.			
2008/0223965	A1	9/2008	Obersteiner	BE	409469	A 6/1935
2008/0257173	A1	10/2008	Radi	CA	3033891	2/2018
2008/0273419	A1	11/2008	Cocchi et al.	CH	685321	6/1995
2008/0282723	A1	11/2008	Perrier	CN	2418689	Y 2/2001
2008/0291777	A1	11/2008	Schnipke et al.	CN	2476962	Y 2/2002
2009/0016150	A1	1/2009	Mimran	CN	2478364	Y 2/2002
2009/0053375	A1	2/2009	Johnson	CN	2502525	Y 7/2002
2009/0133429	A1	5/2009	Petersen	CN	2515961	Y 10/2002
2009/0142466	A1	6/2009	Robinson et al.	CN	2518335	Y 10/2002
2009/0280214	A1	11/2009	Kim et al.	CN	2521914	Y 11/2002
2011/0174654	A1	7/2011	Krasznai	CN	2560215	Y 7/2003
2012/0144676	A1	6/2012	Davidian	CN	2576011	Y 10/2003
2012/0170404	A1	7/2012	Drees et al.	CN	2587189	Y 11/2003
2013/0340456	A1	12/2013	Hoare et al.	CN	2590387	Y 12/2003
2014/0007779	A1	1/2014	Hoare et al.	CN	2598358	Y 1/2004
2014/0130538	A1	5/2014	Bond et al.	CN	2609355	Y 4/2004
2014/0199448	A1	7/2014	Shalev	CN	2629440	Y 8/2004
2014/0332612	A1	11/2014	Liao et al.	CN	2660908	Y 12/2004
2015/0044344	A1	2/2015	Choi	CN	2666176	Y 12/2004
2015/0097063	A1	4/2015	Hsu	CN	2667901	Y 1/2005
2015/0245637	A1	9/2015	Bocchini	CN	2669617	Y 1/2005
2015/0257410	A1	9/2015	Baragiola et al.	CN	1579194	A 2/2005
2015/0313414	A1	11/2015	Gerard	CN	2719037	Y 8/2005
2015/0342413	A1	12/2015	Joao et al.	CN	2733910	Y 10/2005
2016/0016133	A1	1/2016	Merritt et al.	CN	2762561	Y 3/2006
2016/0069604	A1	3/2016	Oh	CN	2772248	Y 4/2006
2016/0158719	A1	6/2016	Gushwa et al.	CN	2785380	Y 6/2006
2016/0270424	A1	9/2016	Noth et al.	CN	2802990	Y 8/2006
2017/0042179	A1	2/2017	Thomas	CN	2819134	Y 9/2006
2017/0112326	A1	4/2017	Ochoa et al.	CN	1295977	C 1/2007
2017/0188600	A1	7/2017	Semo Scharfman et al.	CN	2855096	Y 1/2007
2017/0209000	A1	7/2017	Dickson, Jr.	CN	2907262	Y 6/2007
2017/0215456	A1	8/2017	Noth et al.	CN	2935824	Y 8/2007
2017/0215647	A1	8/2017	Zakowski	CN	100342794	C 10/2007
2017/0332843	A1	11/2017	Obersteiner	CN	200959807	10/2007
2017/0360060	A1	12/2017	De'Longhi et al.	CN	201004979	Y 1/2008
2017/0367370	A1	12/2017	Frisque et al.	CN	201015400	Y 2/2008
2018/0058742	A1	3/2018	Kim	CN	201015402	Y 2/2008
2018/0064131	A1	3/2018	Noth	CN	201156957	Y 12/2008
2018/0064132	A1	3/2018	Noth	CN	201174951	Y 1/2009
2018/0084800	A1	3/2018	Noth	CN	201345883	Y 11/2009
2018/0110238	A1	4/2018	Mohammed et al.	CN	201352936	Y 12/2009
2018/0263256	A1	9/2018	De'Longhi et al.	CN	201352937	Y 12/2009
2019/0075815	A1	3/2019	Cocchi et al.	CN	201388483	Y 1/2010
2019/0110496	A1	4/2019	Cocchi et al.	CN	201388484	Y 1/2010
2019/0269148	A1	9/2019	Ait Bouziad et al.	CN	201393518	Y 2/2010
2019/0287102	A1	9/2019	Cocchi et al.	CN	201414376	Y 3/2010
2019/0313855	A1	10/2019	Ambrose et al.	CN	101744084	A 6/2010
2019/0335786	A1	11/2019	Cocchi et al.	CN	201523634	U 7/2010
2019/0337791	A1	11/2019	Bush	CN	101810239	A 8/2010
2019/0343145	A1	11/2019	Cocchi et al.	CN	201557512	8/2010
2019/0380358	A1	12/2019	Cocchi et al.	CN	201726817	U 2/2011
2019/0390879	A1	12/2019	Cocchi et al.	CN	1788597	B 4/2011
2020/0000120	A1	1/2020	Cocchi et al.	CN	101138379	B 5/2011
2020/0120951	A1	4/2020	Wang	CN	201839768	U 5/2011
2020/0178560	A1	6/2020	Gerber et al.	CN	201888213	U 7/2011
2020/0196626	A1	6/2020	Cocchi et al.	CN	201905193	U 7/2011
2020/0196627	A1	6/2020	Cocchi et al.	CN	102160593	A 8/2011
2020/0221726	A1	7/2020	Cocchi et al.	CN	201919605	U 8/2011
2020/0238236	A1	7/2020	Branson, III	CN	201928933	U 8/2011
2020/0245638	A1	8/2020	Crema et al.	CN	201986636	U 9/2011
2020/0253235	A1	8/2020	Cocchi et al.	CN	201995529	U 10/2011
2020/0315218	A1	10/2020	Cocchi et al.	CN	202050862	U 11/2011
2020/0352193	A1	11/2020	Cocchi et al.	CN	202112243	U 1/2012
2020/0397017	A1	12/2020	Cocchi et al.	CN	202172781	U 3/2012
2021/0000133	A1	1/2021	Meldrum et al.	CN	102138620	B 7/2012
2021/0000298	A1	1/2021	Ambrose et al.	CN	202406999	U 9/2012
2021/0022364	A1	1/2021	Meldrum et al.	CN	202436050	U 9/2012
2021/0022365	A1	1/2021	Manz	CN	202456290	U 10/2012
2021/0106958	A1	4/2021	Medici	CN	101605464	B 11/2012
2021/0112825	A1	4/2021	Bellomare et al.	CN	101574112	B 12/2012
2021/0274974	A1*	9/2021	Abraham ..... A47J 43/044	CN	102144705	B 12/2012
2021/0330129	A1	10/2021	Swidler	CN	202635510	U 1/2013
2021/0392918	A1	12/2021	Anand	CN	202697631	U 1/2013
2022/0030906	A1	2/2022	Springer	CN	202722421	U 2/2013
				CN	202722422	U 2/2013
				CN	202773992	U 3/2013



# US D985,331 S

Page 4

CN	202819518	U	3/2013	CN	105685363	A	6/2016
CN	103082077	A	5/2013	CN	205093510	U	6/2016
CN	202931999	U	5/2013	CN	205308187	U	6/2016
CN	101889623	B	6/2013	CN	205337470	U	6/2016
CN	202958664	U	6/2013	CN	105758080	A	7/2016
CN	203058219	U	7/2013	CN	105767442	A	7/2016
CN	203087447	U	7/2013	CN	205358065	U	7/2016
CN	103262936	A	8/2013	CN	104279828	B	8/2016
CN	203105529	U	8/2013	CN	105841416	A	8/2016
CN	203152409	U	8/2013	CN	105851451	A	8/2016
CN	203207110	U	9/2013	CN	205409472	U	8/2016
CN	203233980	U	10/2013	CN	205431914	U	8/2016
CN	103404686	A	11/2013	CN	205455812	U	8/2016
CN	203262198	U	11/2013	CN	205505529	U	8/2016
CN	203279785	U	11/2013	CN	205505530	U	8/2016
CN	203279787	U	11/2013	CN	105961818	A	9/2016
CN	203290182	U	11/2013	CN	205567686	U	9/2016
CN	203407469	U	1/2014	CN	205580055	U	9/2016
CN	203467595	U	3/2014	CN	106035973	A	10/2016
CN	102048015	B	4/2014	CN	205624265	U	10/2016
CN	203534013	U	4/2014	CN	205624266	U	10/2016
CN	203563639	U	4/2014	CN	205655544	U	10/2016
CN	203590909	U	5/2014	CN	205695438	U	11/2016
CN	203597340	U	5/2014	CN	205695441	U	11/2016
CN	102987048	B	6/2014	CN	205695442	U	11/2016
CN	203661940	U	6/2014	CN	205747670	U	11/2016
CN	203725214	U	7/2014	CN	205848606	U	1/2017
CN	203744631	U	7/2014	CN	106376706	A	2/2017
CN	203748570	U	8/2014	CN	205939910	U	2/2017
CN	203748571	U	8/2014	CN	205947042	U	2/2017
CN	203748572	U	8/2014	CN	205947054	U	2/2017
CN	203748573	U	8/2014	CN	206005817	U	3/2017
CN	203748574	U	8/2014	CN	106693746		5/2017
CN	103168908	B	9/2014	CN	206182263	U	5/2017
CN	203827994	U	9/2014	CN	206196872	U	5/2017
CN	103211076	B	10/2014	CN	206196873	U	5/2017
CN	104115987	A	10/2014	CN	103190520	B	6/2017
CN	203897199	U	10/2014	CN	206213187	U	6/2017
CN	102805194	B	12/2014	CN	206227572	U	6/2017
CN	203985911	U	12/2014	CN	206227573	U	6/2017
CN	204090940	U	1/2015	CN	206227575	U	6/2017
CN	204120763	U	1/2015	CN	106979634	A	7/2017
CN	204146242	U	2/2015	CN	106982977	A	7/2017
CN	103380848	B	3/2015	CN	206354338	U	7/2017
CN	204191506	U	3/2015	CN	107019088	A	8/2017
CN	204202291	U	3/2015	CN	107027950	A	8/2017
CN	204217795	U	3/2015	CN	206413692	U	8/2017
CN	204259745	U	4/2015	CN	206443073	U	8/2017
CN	204273127	U	4/2015	CN	107125423	A	9/2017
CN	104621328	A	5/2015	CN	107175713	A	9/2017
CN	204362865	U	6/2015	CN	206525481	U	9/2017
CN	204362866	U	6/2015	CN	206547792	U	10/2017
CN	103478391	B	7/2015	CN	206576207	U	10/2017
CN	204426583	U	7/2015	CN	206620790	U	11/2017
CN	204444075	U	7/2015	CN	206739675	U	12/2017
CN	204482918	U	7/2015	CN	107616292	A	1/2018
CN	104824327	A	8/2015	CN	206821892	U	1/2018
CN	204599206	U	9/2015	CN	206821897	U	1/2018
CN	204599207	U	9/2015	CN	207023136	U	2/2018
CN	204599208	U	9/2015	CN	207023137	U	2/2018
CN	204616962	U	9/2015	CN	106221174	B	4/2018
CN	104982632	A	10/2015	CN	207201937	U	4/2018
CN	204707918	U	10/2015	CN	207220039	U	4/2018
CN	105010708	A	11/2015	CN	207269785	U	4/2018
CN	204742478	U	11/2015	CN	207285067	U	5/2018
CN	204742479	U	11/2015	CN	105758080	B	6/2018
CN	204742480	U	11/2015	CN	108271912	A	7/2018
CN	204811833	U	12/2015	CN	207590022	U	7/2018
CN	204830618	U	12/2015	CN	207653496	U	7/2018
CN	204837840	U	12/2015	CN	207716705	U	8/2018
CN	204860999	U	12/2015	CN	207721134	U	8/2018
CN	204907789	U	12/2015	CN	108514044	A	9/2018
CN	204930249	U	1/2016	CN	207836682	U	9/2018
CN	204949372	U	1/2016	CN	207940303	U	10/2018
CN	204949373	U	1/2016	CN	105953515	B	11/2018
CN	105498590		4/2016	CN	108813086	A	11/2018
CN	205161783	U	4/2016	CN	108813087	A	11/2018
CN	205161784	U	4/2016	CN	105076654	B	12/2018
CN	205180269	U	4/2016	CN	208228236	U	12/2018

# US D985,331 S

CN	109152384	A	1/2019	EP	2070423	A1	6/2009
CN	109156596	A	1/2019	EP	2067407	B1	8/2010
CN	208425451	U	1/2019	EP	2284465	A2	2/2011
CN	208434646	U	1/2019	EP	2402690	A2	1/2012
CN	105953513	B	3/2019	EP	1993373	B1	6/2013
CN	109431269	A	3/2019	EP	2659958		11/2013
CN	109864173	A	6/2019	EP	2140768	B1	3/2014
CN	209031071	U	6/2019	EP	2189067	B1	3/2014
CN	109997949	A	7/2019	EP	2242376	B1	6/2014
CN	209047390	U	7/2019	EP	2750517	A2	7/2014
CN	209073407	U	7/2019	EP	2560502	B1	12/2014
CN	209147536	U	7/2019	EP	2242377	B1	2/2015
CN	209251633	U	8/2019	EP	2611344	B1	7/2015
CN	209284210	U	8/2019	EP	2681009	B1	8/2015
CN	209436192	U	9/2019	EP	2755496	B1	8/2015
CN	209489434	U	10/2019	EP	2673581	B1	9/2015
CN	110477182	A	11/2019	EP	2478774	B1	7/2016
CN	104782875	B	12/2019	EP	2524603	B1	8/2016
CN	209825085	U	12/2019	EP	2862488	B1	8/2016
CN	110651883	A	1/2020	EP	2897469	B1	11/2016
CN	209965158	U	1/2020	EP	2805620	B1	2/2017
CN	105558248	B	2/2020	EP	2862450	B1	3/2017
CN	110771717	A	2/2020	EP	2277386	B1	4/2017
CN	110810615	A	2/2020	EP	2445356	B1	4/2017
CN	210054494	U	2/2020	EP	3148347	A1	4/2017
CN	210157942	U	3/2020	EP	3050616	B1	11/2017
CN	210168943	U	3/2020	EP	3247216	B1	11/2017
CN	210203192	U	3/2020	EP	2916695	B1	1/2018
CN	210299346	U	4/2020	EP	2708141	B1	4/2018
CN	210332513	U	4/2020	EP	2755497	B1	9/2018
CN	210610902	U	5/2020	EP	3369353	A1	9/2018
CN	210625031	U	5/2020	EP	3095332	B1	10/2018
CN	111328909	A	6/2020	EP	3145320	B1	12/2018
CN	210695798	U	6/2020	EP	3220749	B1	12/2018
CN	210747048	U	6/2020	EP	3426055	A1	1/2019
CN	210901236	U	7/2020	EP	3266311	B1	3/2019
CN	210901239	U	7/2020	EP	3473950	A1	4/2019
CN	211026023	U	7/2020	EP	3331375	B1	6/2019
CN	211091708	U	7/2020	EP	3021956	B1	8/2019
CN	211091709	U	7/2020	EP	3568025	A1	11/2019
CN	106889294	B	8/2020	EP	3391752	B1	12/2019
CN	211211296	U	8/2020	EP	3305089	B1	1/2020
CN	111657388	A	9/2020	EP	3183975	B1	4/2020
CN	111657389	A	9/2020	EP	3185693	B1	4/2020
CN	211430928	U	9/2020	EP	3643180	A1	4/2020
CN	211746663	U	10/2020	EP	3091848	B1	7/2020
CN	211794135	U	10/2020	EP	3682743	A2	7/2020
CN	111887338	A	11/2020	EP	3490386	B1	8/2020
CN	111903828	A	11/2020	EP	3632473	A3	11/2020
CN	212232975	U	12/2020	EP	3058831	B1	12/2020
CN	212232976	U	12/2020	EP	3351113	B1	12/2020
CN	112219932	A	1/2021	EP	3528639	B1	12/2020
CN	212306694	U	1/2021	EP	3381295	B1	1/2021
CN	212325314	U	1/2021	EP	3758503	A1	1/2021
CN	212345191	U	1/2021	EP	3775729	A1	2/2021
CN	212414601	U	1/2021	EP	3291719	B1	3/2021
CN	212437169	U	2/2021	EP	3292768	B1	3/2021
CN	212464764	U	2/2021	EP	3590351	B1	3/2021
CN	112515503	A	3/2021	EP	3796784	A1	3/2021
CN	112715735	A	4/2021	EP	3801042	A1	4/2021
CN	212852474	U	4/2021	EP	3801158	A1	4/2021
CN	213045050	U	4/2021	FR	1104425	A	11/1955
CN	213074319	U	4/2021	JP	S5931654	A	2/1984
DE	2905308		9/1979	KR	20040099008	A	11/2004
DE	102004008748		9/2004	KR	101624283	B1	5/2016
EP	0891139		1/1999	KR	20170056787	A	5/2017
EP	0877558	B1	7/2002	KR	102185180		12/2020
EP	1264567		12/2002	TW	M429850	U	5/2012
EP	0996341	B1	9/2003	TW	I465677	B	12/2014
EP	1156735	B1	10/2004	TW	I535986	B	6/2016
EP	1544882	A2	6/2005	WO	9736498	A1	10/1997
EP	1588981	A1	10/2005	WO	0197628	A1	12/2001
EP	1334664	B1	12/2005	WO	03065819	A1	8/2003
EP	1449441	B1	12/2005	WO	2008/036972	A2	3/2008
EP	1309245	B1	3/2006	WO	2008036972	A2	3/2008
EP	1465499	B1	3/2006	WO	2014026445	A1	2/2014
EP	1884167	A1	2/2008	WO	2014206119	A1	12/2014
EP	1068803	B1	12/2008	WO	2015063135	A1	5/2015
EP	1802225	B1	4/2009	WO	2016078042	A1	5/2016



WO	2017/090647	A1	6/2017
WO	2017090647	A1	6/2017
WO	2017139395	A1	8/2017
WO	2017166007	A1	10/2017
WO	2017166008	A1	10/2017
WO	2018141758	A1	8/2018
WO	2019197152	A1	10/2019
WO	2019200490	A1	10/2019
WO	WO2019200490		10/2019
WO	2019/220490	A1	11/2019
WO	2019/220491	A1	11/2019
WO	2019220490	A1	11/2019
WO	2019220491	A1	11/2019
WO	2020236173	A1	11/2020
WO	2022020653	A1	1/2022
WO	WO2022014808		1/2022

International Search Report and Written Opinion dated Jul. 1, 2022, for related Application No. PCT/US2021/064383.

\* cited by examiner

*Primary Examiner* — Ricky Pham  
(74) *Attorney, Agent, or Firm* — Burns & Levinson, LLP;  
Joseph M. Maraia

(57) **CLAIM**

The ornamental design for a housing for a micro puree machine, as shown and described.

**DESCRIPTION**

FIG. 1 is a top/front/left side perspective view of a housing for a micro puree machine, showing our new design; FIG. 2 is a bottom/rear/right side perspective view thereof; FIG. 3 is a front view thereof; FIG. 4 is a rear view thereof; FIG. 5 is a left side view thereof; FIG. 6 is a right side view thereof; FIG. 7 is a top view thereof; and, FIG. 8 is a bottom view thereof.

The broken lines in the drawings depict portions of the housing that form no part of the claimed design.

**1 Claim, 8 Drawing Sheets**

**OTHER PUBLICATIONS**

Cuisinart Soft Serve Ice Cream Maker. Date First Available on Amazon.com Oct. 2, 2001. [https://www.amazon.com/Cuisinart-ICE-45-Serve-2-Quart-Cream/dp/B000F94GPQ/ref](https://www.amazon.com/Cuisinart-ICE-45-Serve-2-Quart-Cream/dp/B000F94GPQ/ref=Year: 2001) (Year: 2001).\*

“Ninja NC301 CREAMi Ice Cream Maker,” retrieved from URL: [https://www.amazon.com/Ninja-NC301-placeholder-Cream-Maker/dp/B08QXB9BH5/ref=sr\\_1\\_1?keywords=ninja%2Bicecream%2Bmaker%2Bmachin&qid=1663587903&sr=8-1&th=1,9](https://www.amazon.com/Ninja-NC301-placeholder-Cream-Maker/dp/B08QXB9BH5/ref=sr_1_1?keywords=ninja%2Bicecream%2Bmaker%2Bmachin&qid=1663587903&sr=8-1&th=1,9) pgs. (Pub: Aug. 17, 2021).

Ice Cream Maker, Ninja™ CREAMi™: How to Assemble + Use, YouTube video by Ninja Kitchen; retrieved from URL: <https://www.youtube.com/watch?v=fXkq1tzxLm0>, (Jul. 27, 2021).

Office Action dated May 26, 2022, for related U.S. Appl. No. 17/698,660.

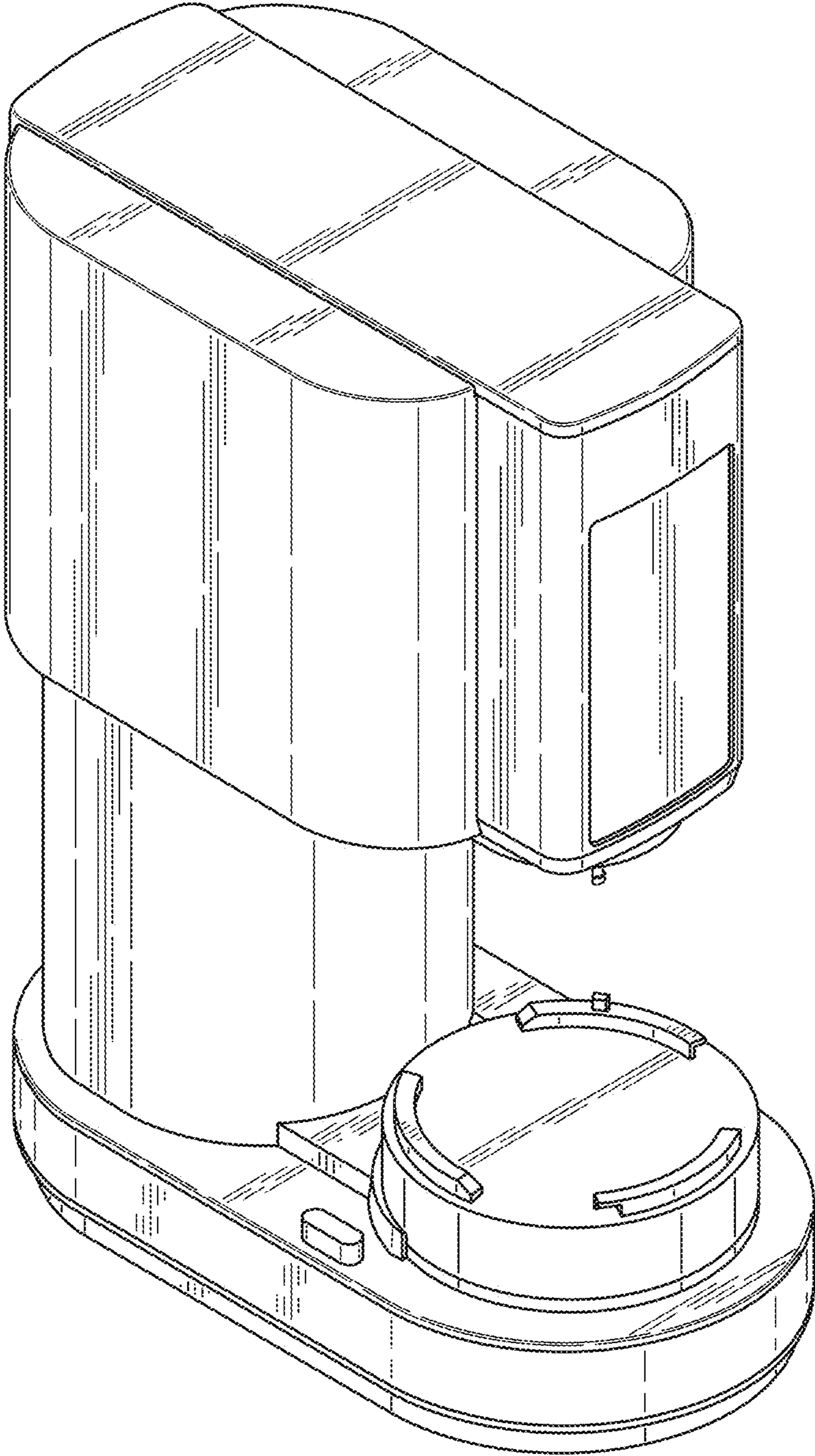


FIG. 1

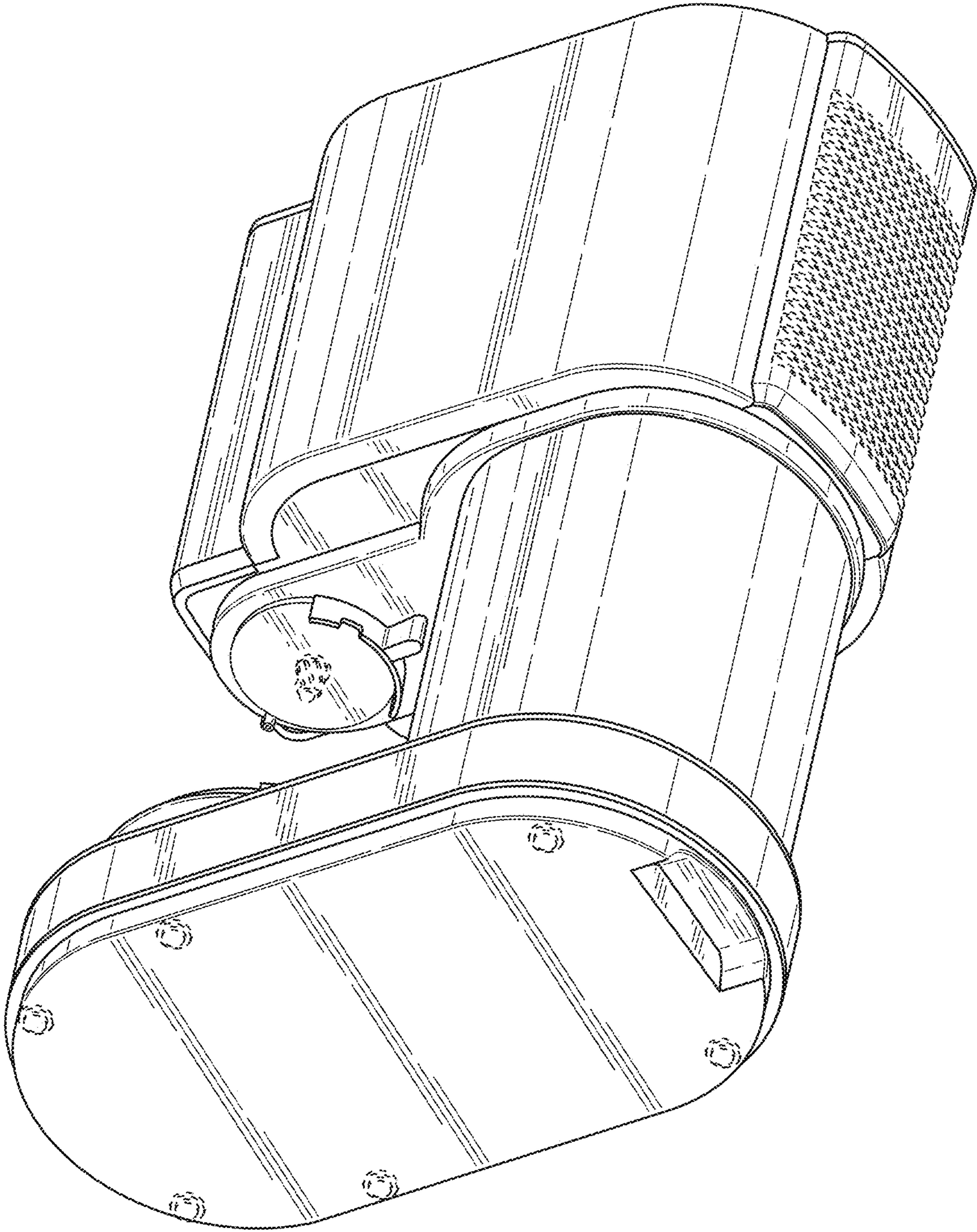


FIG. 2



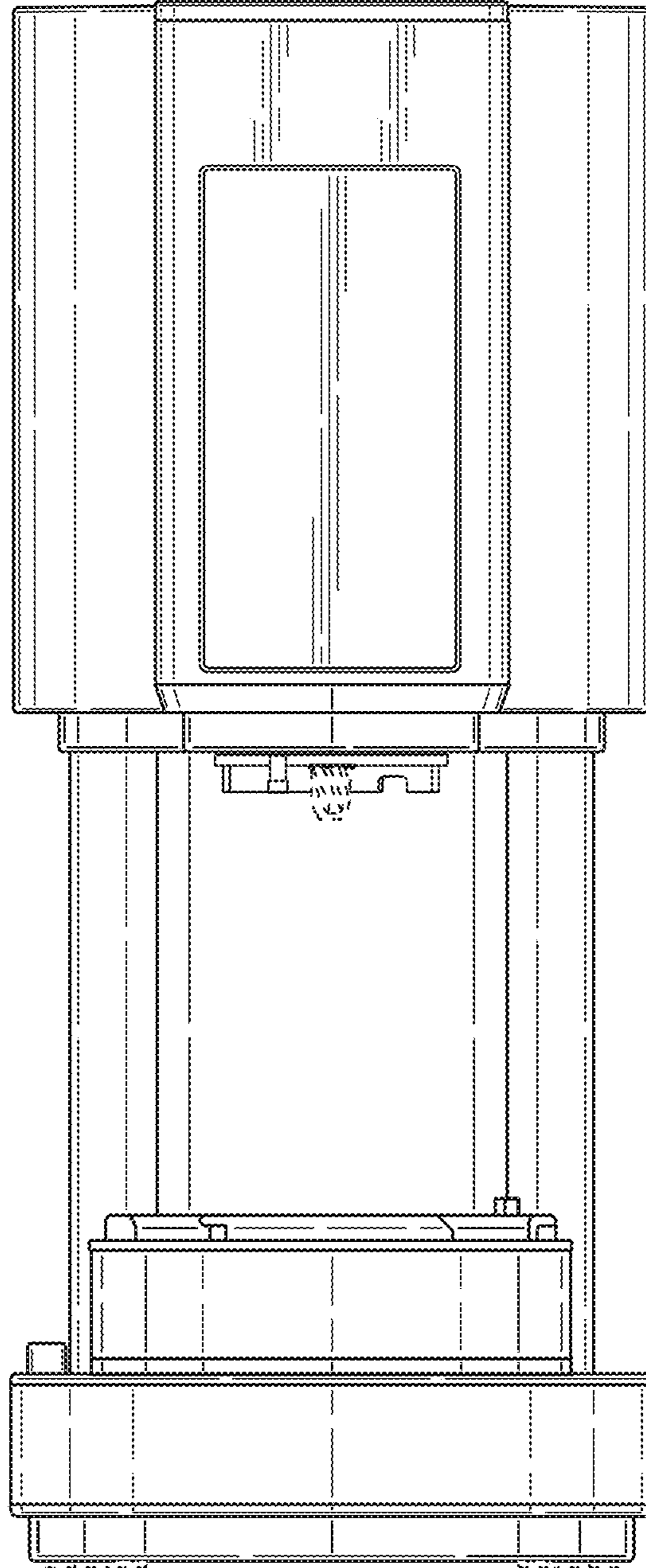


FIG. 3

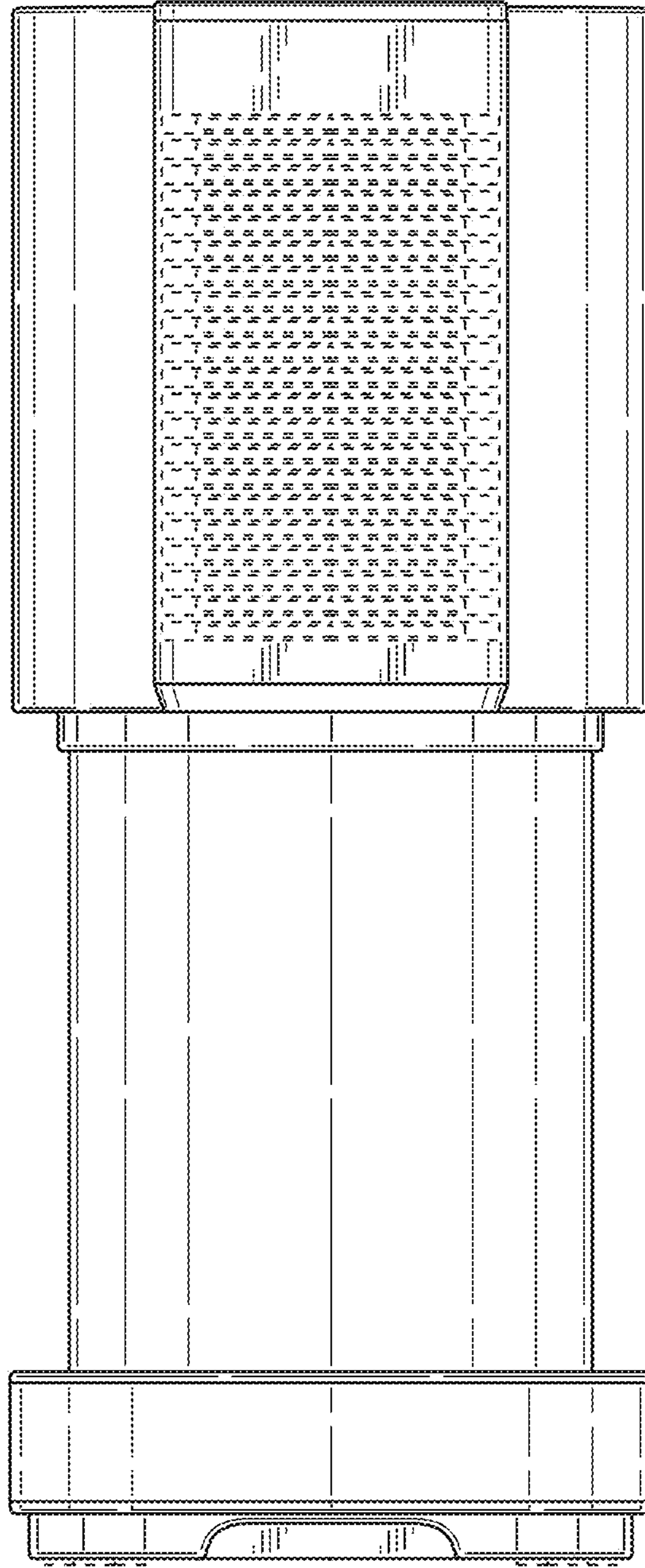


FIG. 4



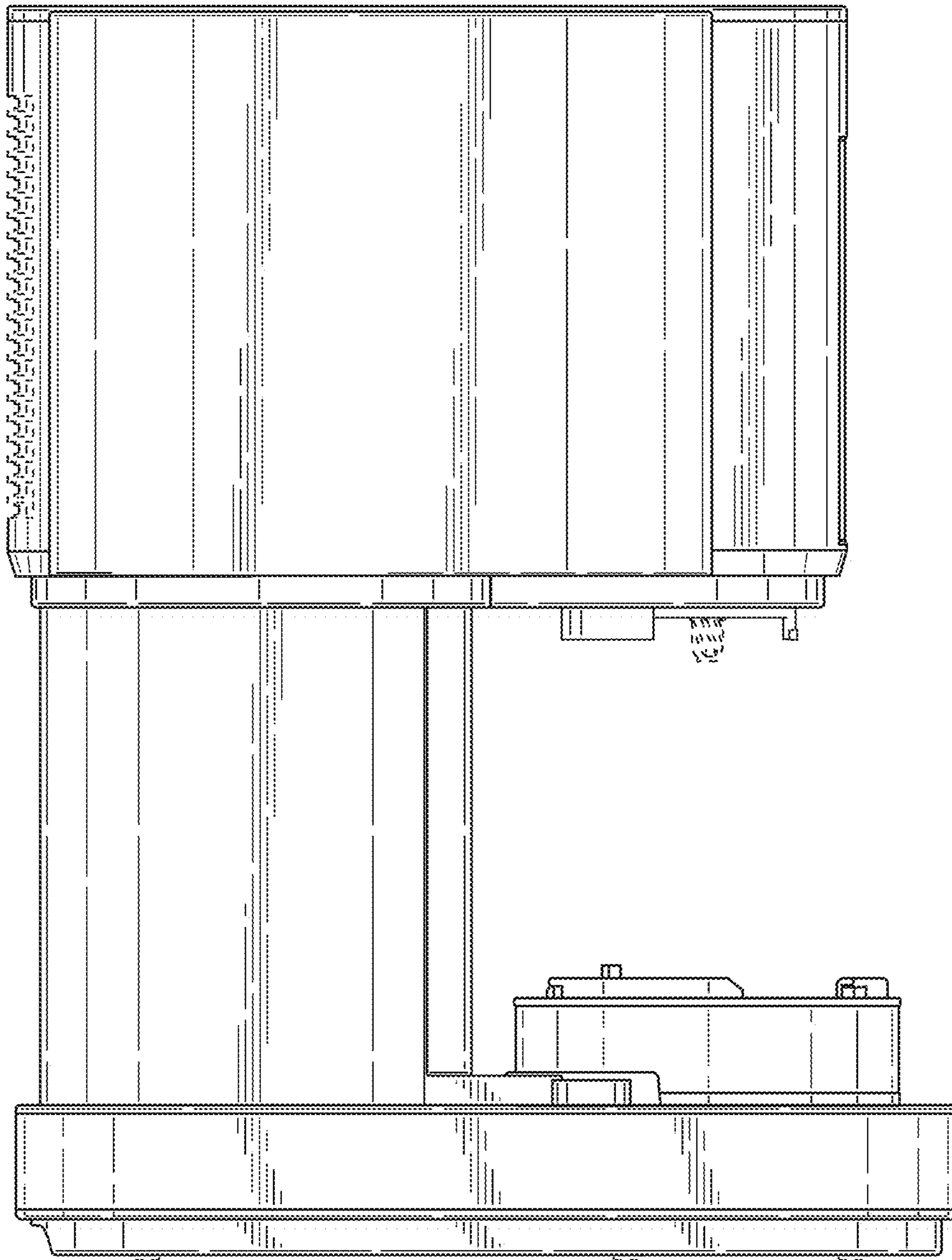


FIG. 5

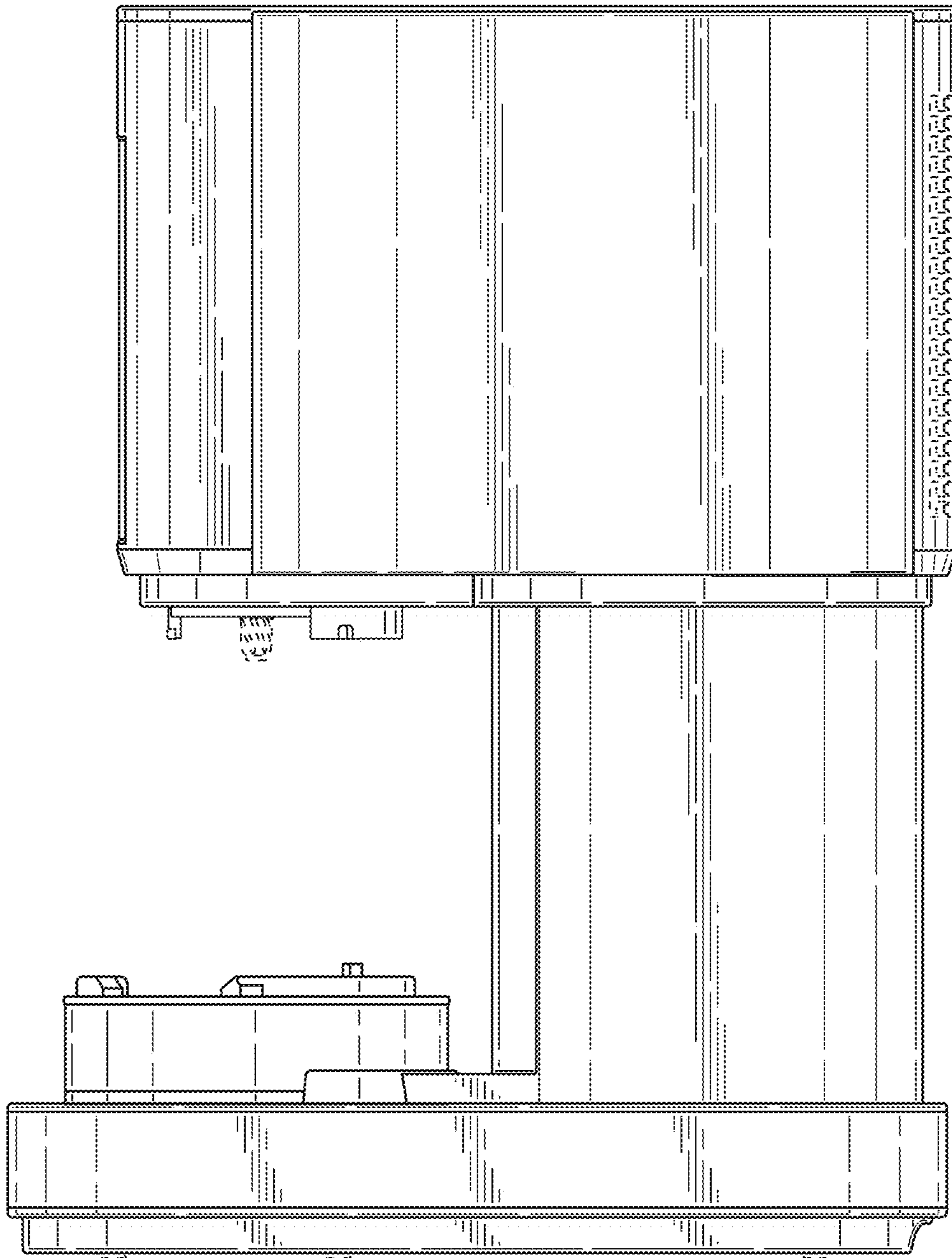


FIG. 6



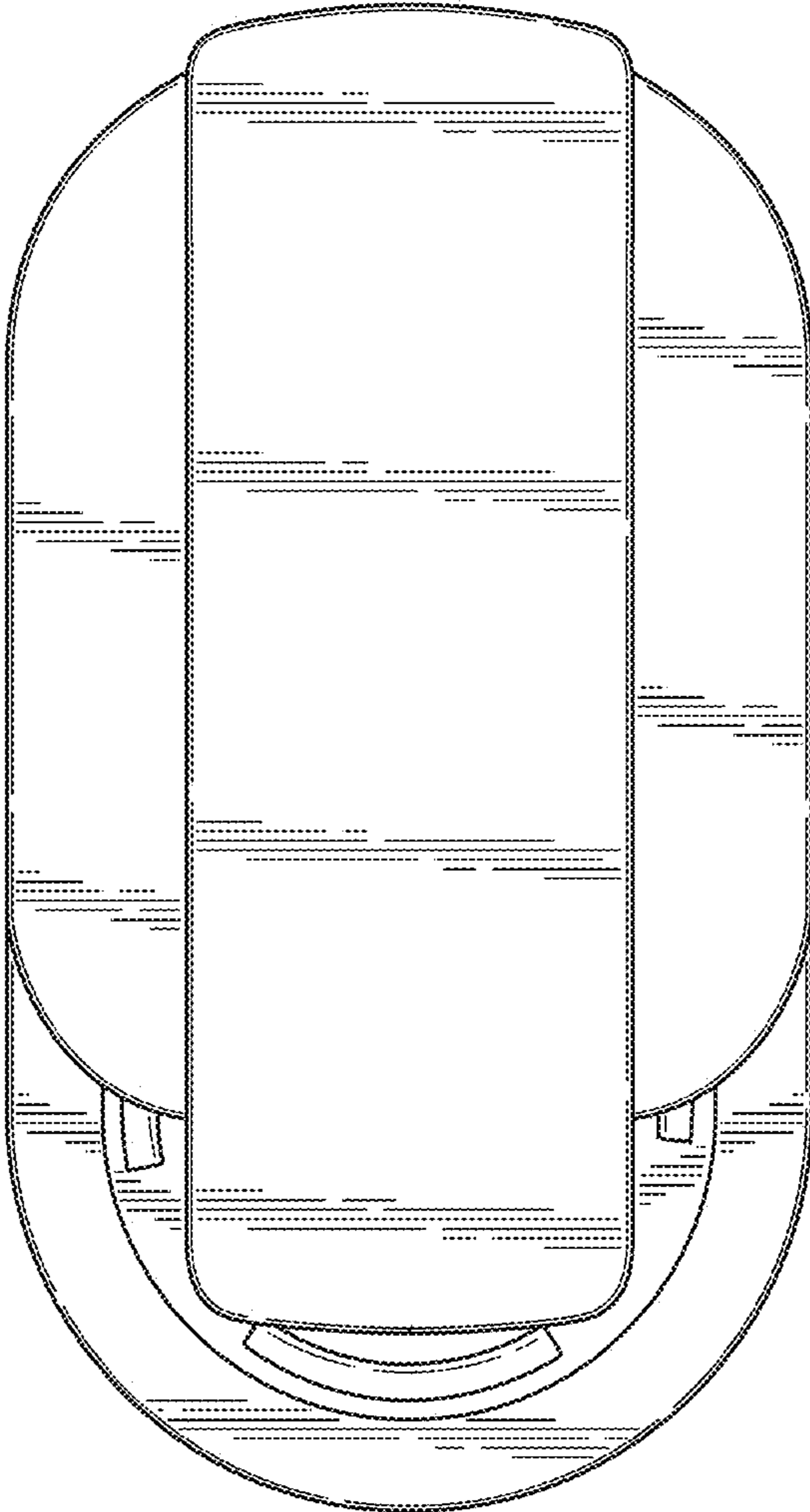


FIG. 7

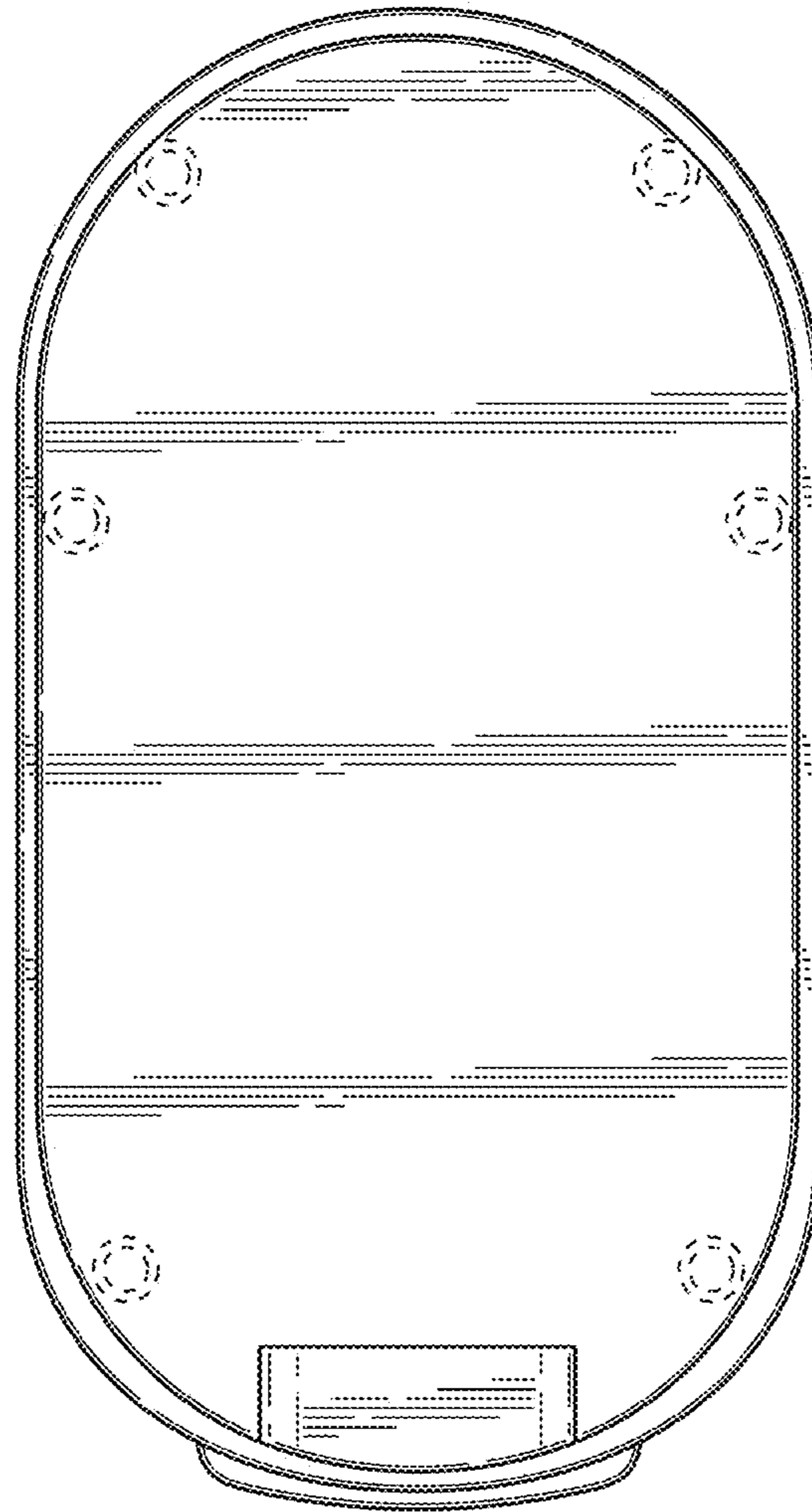


FIG. 8