



US00D985330S

(12) **United States Design Patent** (10) **Patent No.:** **US D985,330 S**  
**Tu** (45) **Date of Patent:** **\*\* May 9, 2023**

(54) **BLENDER BASE**

FOREIGN PATENT DOCUMENTS

(71) Applicant: **SharkNinja Operating LLC**,  
Needham, MA (US)

CA 164836 8/2016  
CN 204734381 11/2015

(Continued)

(72) Inventor: **Joyce Chien Tu**, Melrose, MA (US)

OTHER PUBLICATIONS

(73) Assignee: **SHARKNINJA OPERATING LLC**,  
Needham, MA (US)

Ninja SS101 Nutrient Extractor, posted at Amazon.com on Aug. 18, 2020, [site visited Aug. 8, 2022]. Available from internet, URL: <<https://www.amazon.com/Ninja-SS-101-smartTORQU-E-multi-functions-Stainless/dp/B08C1DJNR2/>> (Year: 2020).

(\*\*) Term: **15 Years**

(Continued)

(21) Appl. No.: **29/839,806**

(22) Filed: **May 24, 2022**

Primary Examiner — Ricky Pham

**Related U.S. Application Data**

(74) Attorney, Agent, or Firm — Burns & Levinson, LLP;  
Joseph M. Maraia

(62) Division of application No. 29/755,781, filed on Oct. 22, 2020, now Pat. No. Des. 956,471.

(51) **LOC (14) Cl.** ..... **31-00**

(52) **U.S. Cl.**  
USPC ..... **D7/386**; D7/376; D7/378

(57) **CLAIM**

(58) **Field of Classification Search**  
USPC ..... D7/354, 372, 376–386, 396.1, 412–413,  
D7/526, 538, 542, 562, 565, 566, 584,  
D7/588, 602, 629, 665–666, 669, 679,  
D7/693–694  
CPC .... A21C 1/02; A21C 1/04; A23N 1/00; A23N  
1/02; A47J 43/04; A47J 43/25; A47J  
43/27; A47J 43/042; A47J 43/044; A47J  
43/046; A47J 43/06; A47J 43/075; A47J  
43/0705; A47J 43/0711; A47J 43/0716;  
A47J 43/0722; A47J 43/0727; A47J  
43/1093; A47J 43/255; B01F 3/00; B01F  
3/0807;

The ornamental design for a blender base, as shown and described.

(Continued)

**DESCRIPTION**

(56) **References Cited**

FIG. 1 is a perspective view of a blender base, showing my new design;  
FIG. 2 is a front view of the blender base shown in FIG. 1;  
FIG. 3 is a rear view of the blender base shown in FIG. 1;  
FIG. 4 is a side view of the blender base shown in FIG. 1;  
FIG. 5 is another side view of the blender base shown in FIG. 1;  
FIG. 6 is a top view of the blender base shown in FIG. 1;  
and,  
FIG. 7 is a bottom view of the blender base shown in FIG. 1.

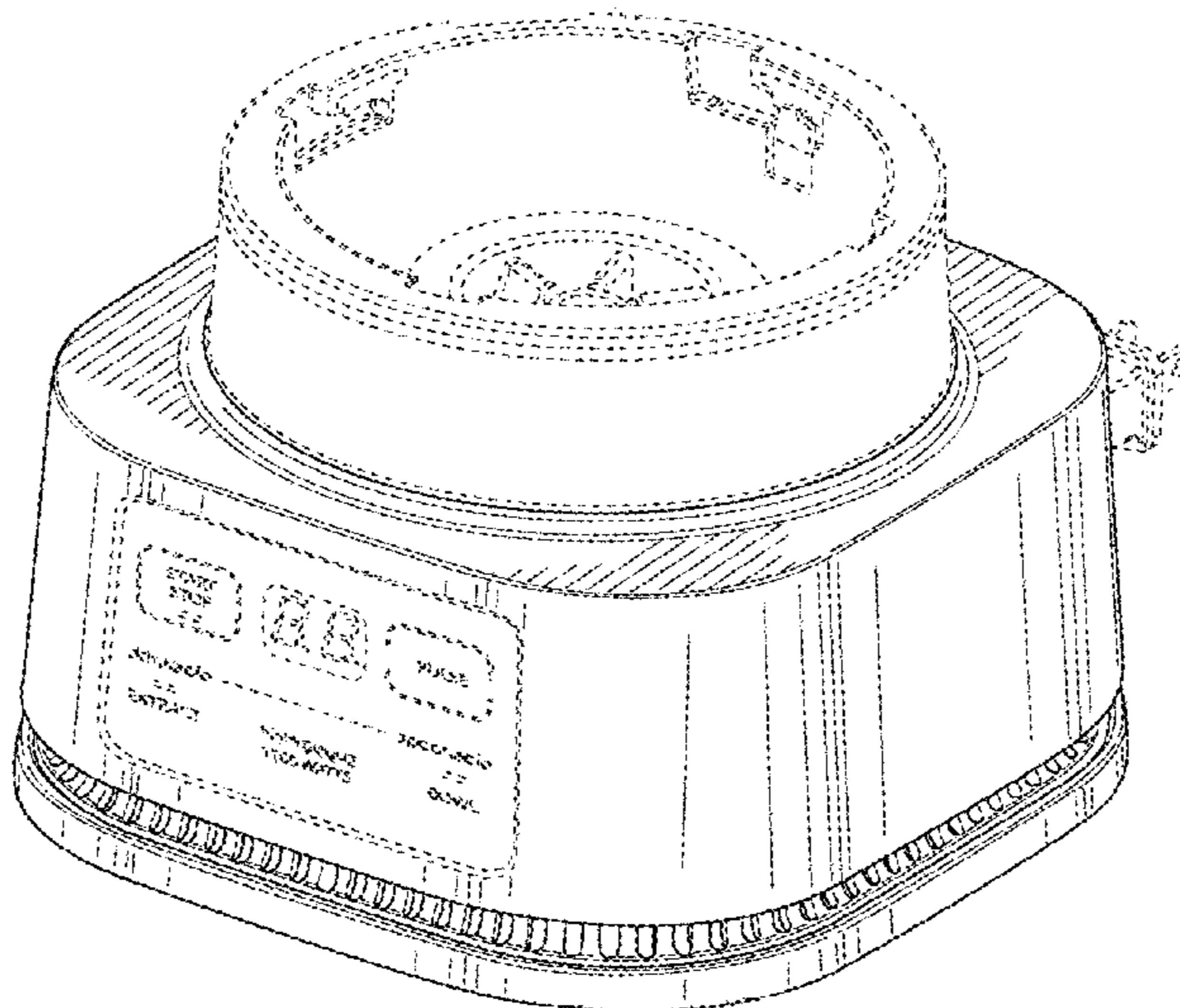
**U.S. PATENT DOCUMENTS**

3,415,497 A 12/1968 Johnson  
3,417,972 A 12/1968 Conway

The broken lines in the drawings are for illustrative purposes only and form no part of the claimed design.

(Continued)

**1 Claim, 7 Drawing Sheets**



(58) **Field of Classification Search**

CPC ..... B01F 3/0853; B01F 13/0059; B01F 13/0064; B02C 1/08; B02C 2/04; B02C 4/42; B02C 4/142; B02C 4/143; B02C 4/423; B02C 13/1835; B28C 5/10; B28C 5/12; B28C 5/14; B28C 5/16

See application file for complete search history.

11,172,786	B2	11/2021	Tu	
D937,624	S *	12/2021	Tu	D7/378
D938,220	S *	12/2021	Tu	D7/378
11,241,119	B2	2/2022	Roberts et al.	
D951,007	S *	5/2022	Yang	D7/378
D956,471	S	7/2022	Tu	
D969,535	S *	11/2022	Tu	D7/378
2003/0099154	A1	5/2003	Daniels	
2004/0264294	A1	12/2004	Pryor	
2005/0205704	A1	9/2005	Yurchenco et al.	
2009/0129200	A1	5/2009	Breviere	
2009/0193982	A1	8/2009	Chou	
2012/0080549	A1	4/2012	Rukavina	
2014/0241109	A1	8/2014	Paget	
2015/0036458	A1	2/2015	Holm	
2015/0250360	A1	9/2015	Hyp	
2015/0272394	A1	10/2015	Lin et al.	
2015/0272395	A1	10/2015	Dahlback et al.	
2015/0374175	A1	12/2015	Garr	
2016/0045073	A1	2/2016	Kozlowski et al.	
2017/0035250	A1	2/2017	Pan	
2018/0014693	A1	1/2018	Dickson, Jr.	
2018/0028020	A1*	2/2018	Sapire	A47J 43/0716
2018/0140137	A1	5/2018	Barnard et al.	
2019/0000275	A1	1/2019	Sapire	
2019/0117013	A1	4/2019	Kim	
2019/0142221	A1	5/2019	Miller et al.	
2020/0113388	A1	4/2020	Sapire	
2020/0281409	A1	9/2020	Bannister et al.	
2021/0046437	A1	2/2021	Burroughs et al.	
2021/0177210	A1	6/2021	Tu	
2021/0302016	A1	9/2021	Pan	
2022/0142409	A1	5/2022	Beckstrom et al.	

(56) **References Cited**

U.S. PATENT DOCUMENTS

3,434,518	A	3/1969	Motis	
3,627,008	A	12/1971	Samuelian	
3,933,315	A	1/1976	Popeil	
3,957,215	A	5/1976	Otto	
4,100,612	A	7/1978	Hoover et al.	
4,417,506	A	11/1983	Herbst	
4,561,782	A	12/1985	Jacobsen et al.	
4,878,627	A	11/1989	Otto	
4,946,285	A	8/1990	Vennemeyer	
5,302,021	A	4/1994	Jennett et al.	
5,360,170	A	11/1994	Cartellone	
5,383,613	A	1/1995	Sundquist	
5,549,385	A	8/1996	Goncalves	
6,527,433	B2	3/2003	Daniels, Jr.	
6,585,179	B2	7/2003	Weibel et al.	
6,935,767	B2	8/2005	Nikkhah	
6,994,465	B2	2/2006	Tague et al.	
7,040,799	B2	5/2006	Pryor	
7,100,854	B2	9/2006	Aby-Eva et al.	
D545,126	S	6/2007	White	
D595,084	S	6/2009	Metaxatos et al.	
7,648,264	B2	1/2010	Breviere et al.	
D655,133	S	3/2012	Brinckerhoff et al.	
D684,817	S	6/2013	Leavitt	
D690,159	S	9/2013	Gursel et al.	
D700,013	S	2/2014	Chu	
8,794,822	B2	8/2014	Serra	
D737,629	S	9/2015	Sands	
D758,799	S	6/2016	Audette	
D760,026	S	6/2016	Smith et al.	
D761,056	S	7/2016	Kemker	
D770,228	S	11/2016	Pan	
D782,866	S	4/2017	Seuss et al.	
D783,353	S	4/2017	Smith	
9,656,227	B2	5/2017	Paget	
D788,527	S	6/2017	Smith et al.	
9,770,133	B2	9/2017	Dickson, Jr. et al.	
D800,498	S	10/2017	Lee	
D817,701	S	5/2018	Ho	
D832,641	S	11/2018	Sapire	
D839,042	S	1/2019	Krivos et al.	
D852,574	S *	7/2019	McConnell	D7/378
10,357,131	B2	7/2019	Dickson, Jr. et al.	
10,383,482	B1	8/2019	Pamplin	
10,427,116	B2	10/2019	Altenritter et al.	
D865,935	S	11/2019	Hu	
D878,862	S	3/2020	Kettavong et al.	
10,638,884	B2	5/2020	Zakowski et al.	
10,653,274	B2	5/2020	Brunner	
D889,191	S	7/2020	Finnance	
10,792,630	B1	10/2020	Pamplin	
10,799,070	B2	10/2020	Koscak	
10,905,285	B2	2/2021	Zakowski	
D913,033	S	3/2021	Jones	
D919,359	S	5/2021	Seo et al.	
D921,418	S	6/2021	Thun et al.	
D921,419	S	6/2021	Yang	
D925,981	S	7/2021	McConnell et al.	
D927,254	S	8/2021	Chen	
D932,242	S	10/2021	Finnance	

FOREIGN PATENT DOCUMENTS

CN	206213931	6/2017
CN	209172094	7/2019
DE	1296607	6/1969
EM	DM090153	3/2016
EP	3578089	12/2019
GE	795-0004	12/2018
IL	62842	1/2018
JP	H10-117944	5/1985
JP	S60194964	12/1985
JP	H02-116324	5/1990
JP	H02-195921	8/1990
JP	2014-136046	7/2014
KR	300867691.0000	8/2016
KR	20200103227 A	9/2020
TW	177516-0001	8/2016
WO	2018085369 A1	5/2018

OTHER PUBLICATIONS

Notice of Allowance dated Jul. 29, 2022, for related JP Application No. 2021-008608, 2 pgs.  
 Notice of Reasons for Rejection dated Jul. 12, 2022, for related JP Application No. 2021-101776, 7 pgs.  
 AxPower Extractor Blade, posted at Amazon.com on Sep. 21, 2019, [site visited Jul. 23, 2022]. Available from internet, URL: <https://www.amazon.com/AxPower-Extractor-Blades-Replacement-Bottom-Blender/dp/B07Y682RVH/> (Year: 2019).  
 9Lucky Tech Blender Replacement Nutri Ninja, posted at Amazon.com on Jan. 12, 2020, [site visited Jul. 23, 2022]. Available from internet, URL: <https://www.amazon.com/dp/B083RS4JSK/> (Year: 2020).  
 Feilifan Blender Blade for Ninja Blender, posted at Amazon.com on Aug. 27, 2020, [site visited Jul. 23, 2022]. Available from internet, URL: <https://www.amazon.com/dp/B09WCN91N1/> (Year: 2020).

\* cited by examiner

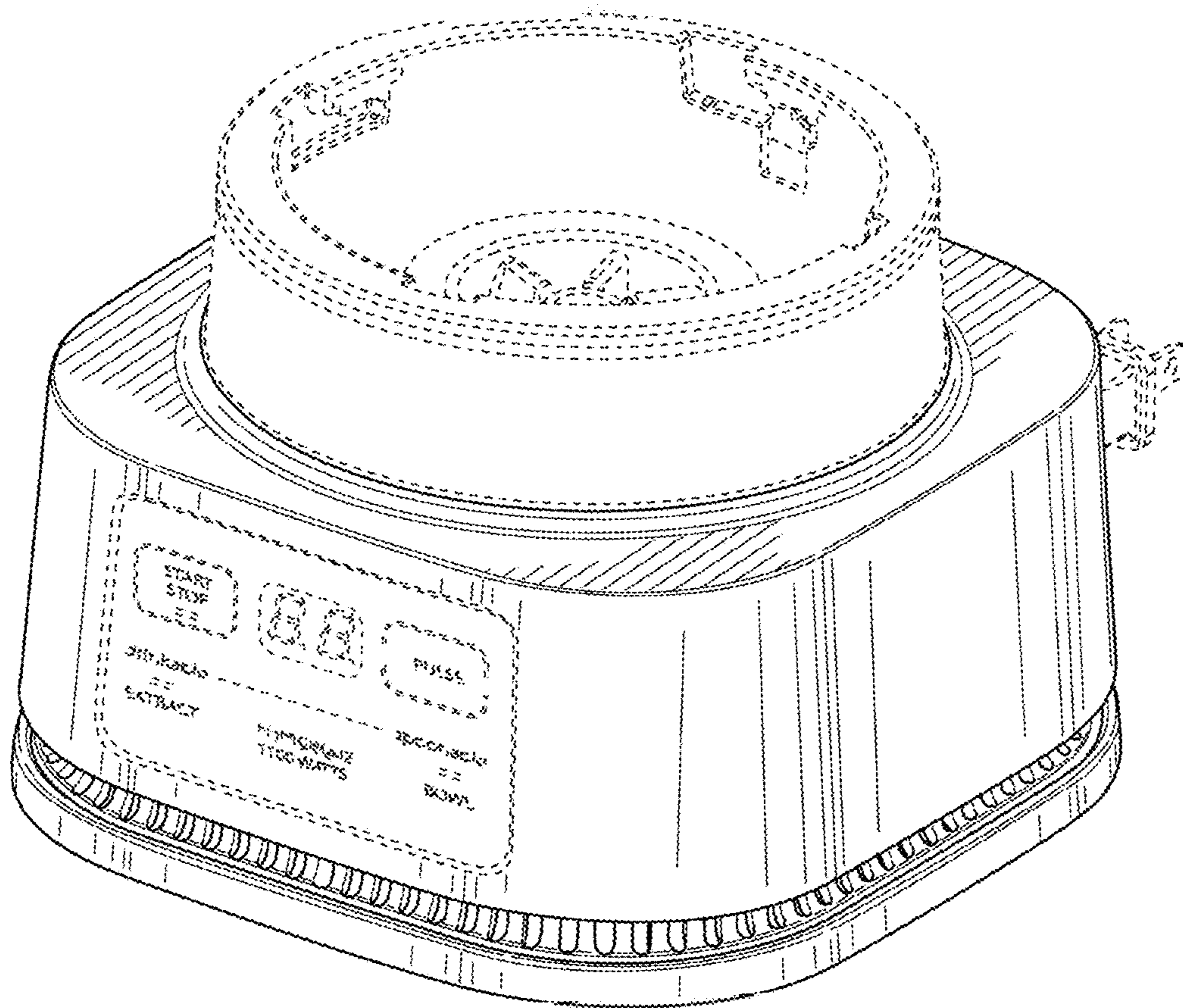


FIG. 1

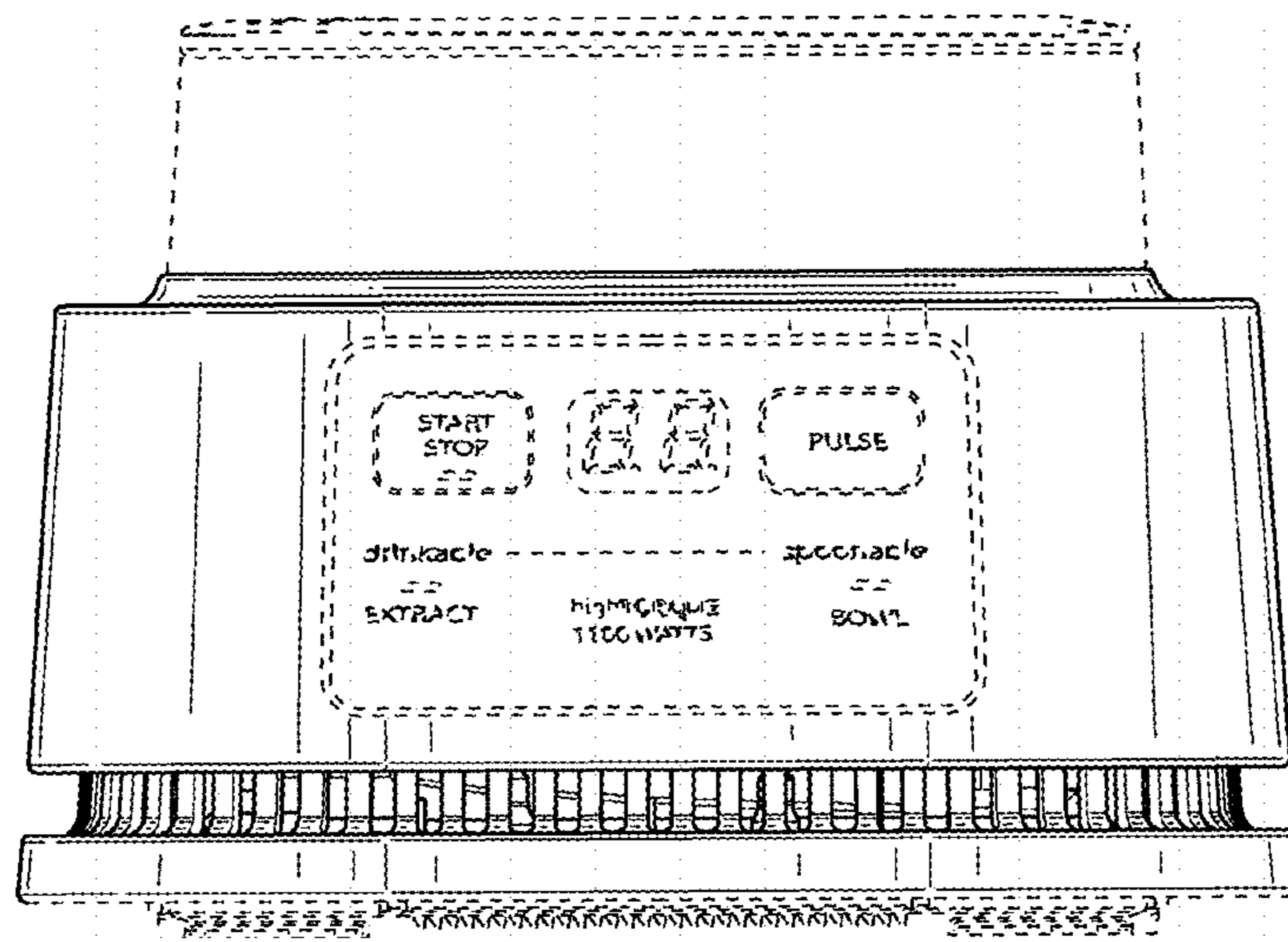


FIG. 2

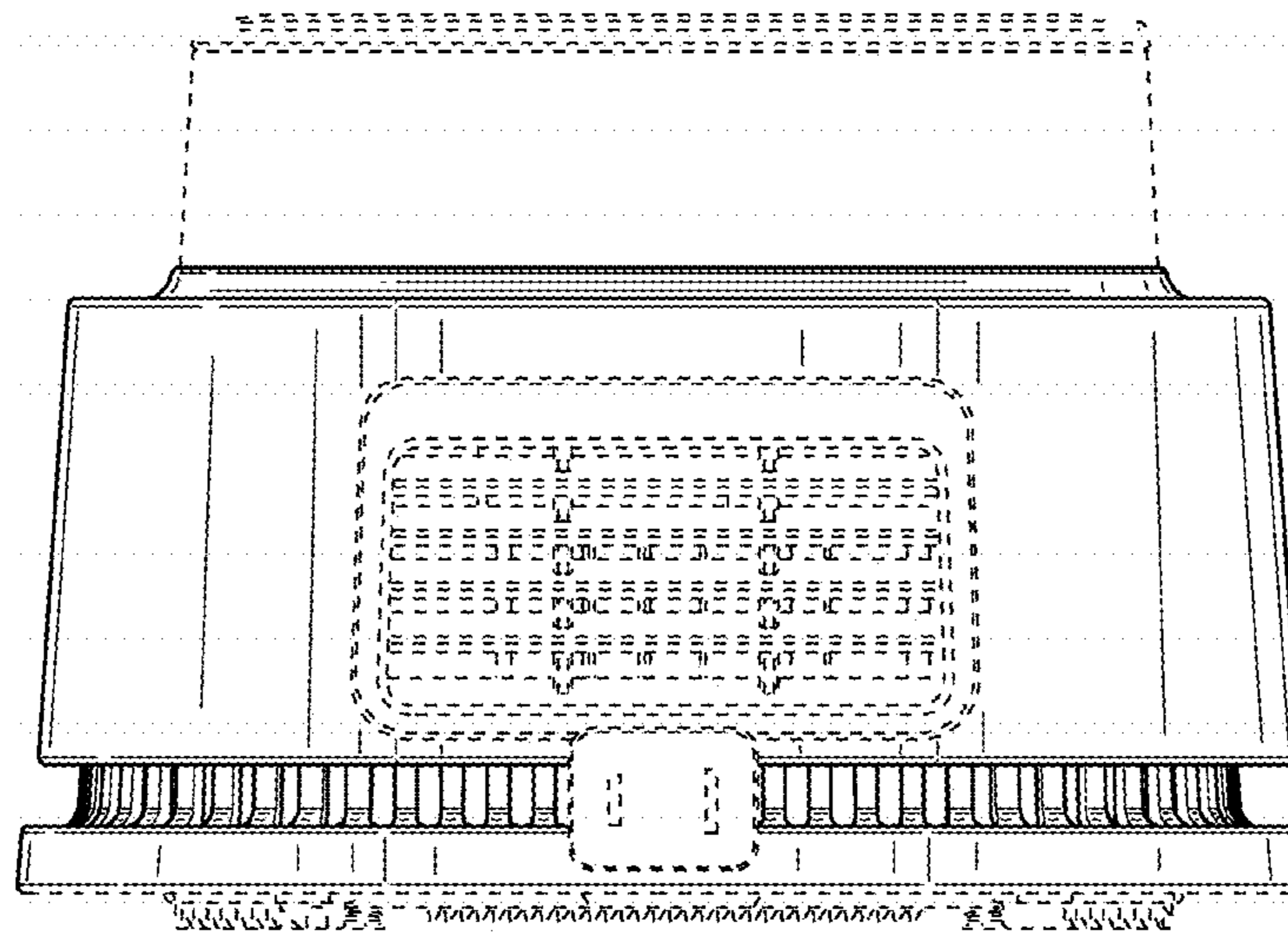


FIG. 3

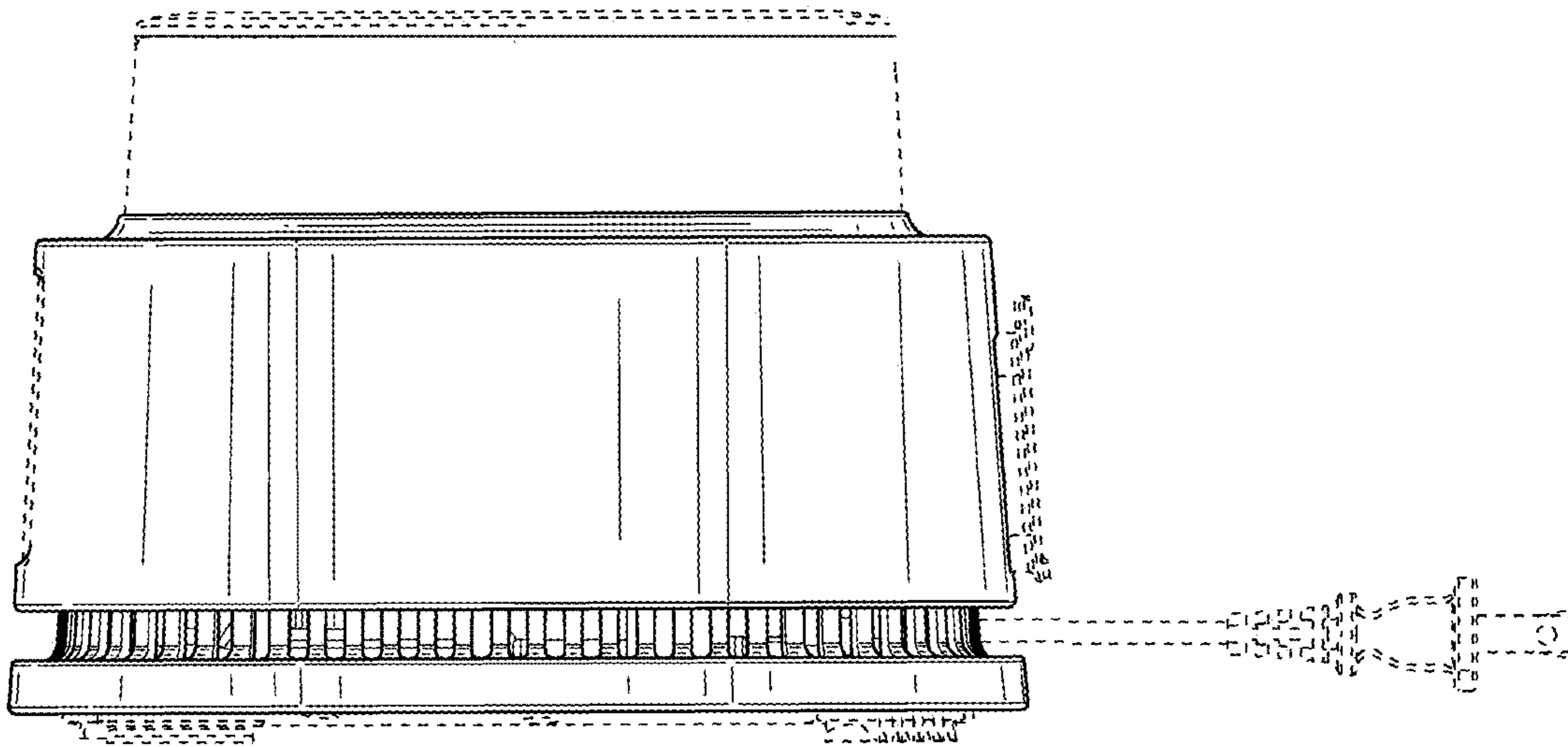


FIG. 4

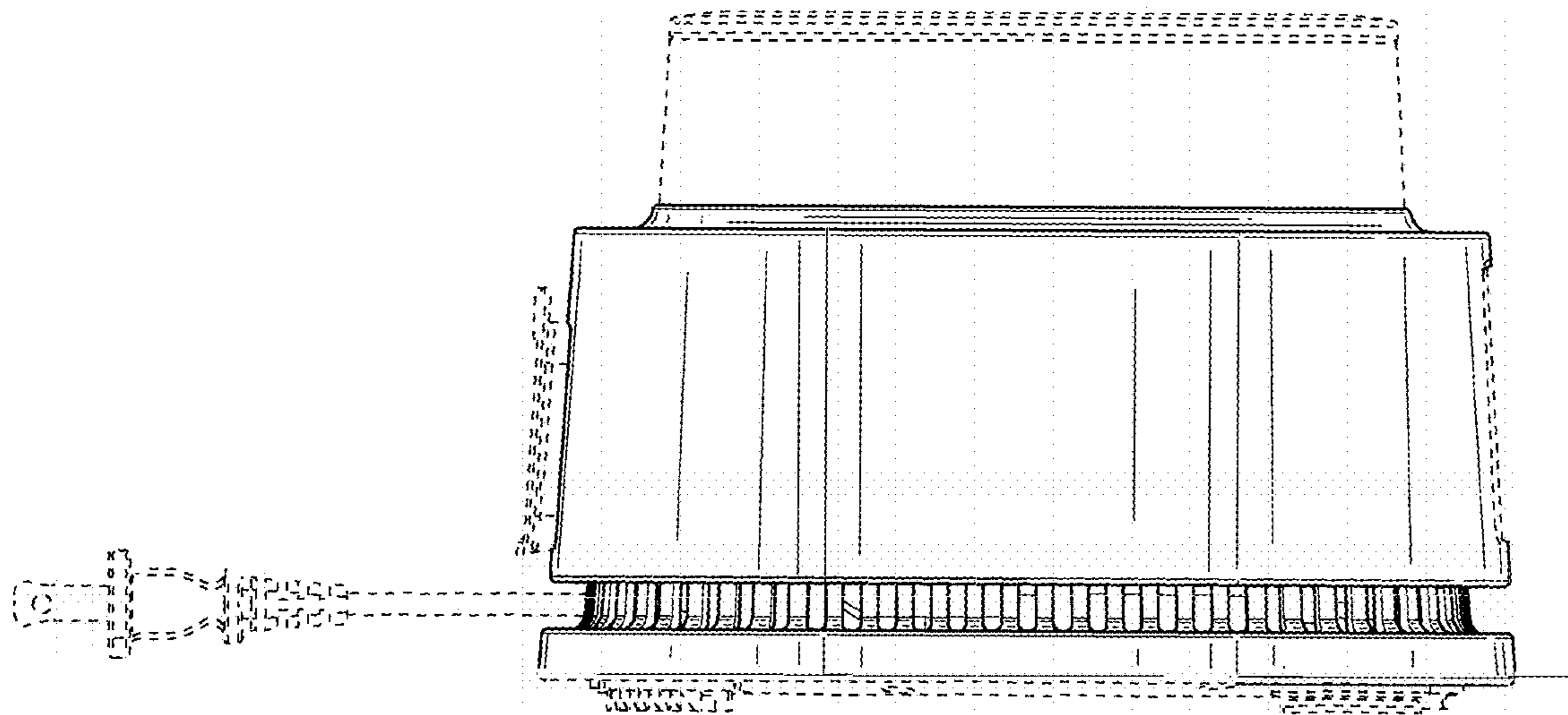


FIG. 5

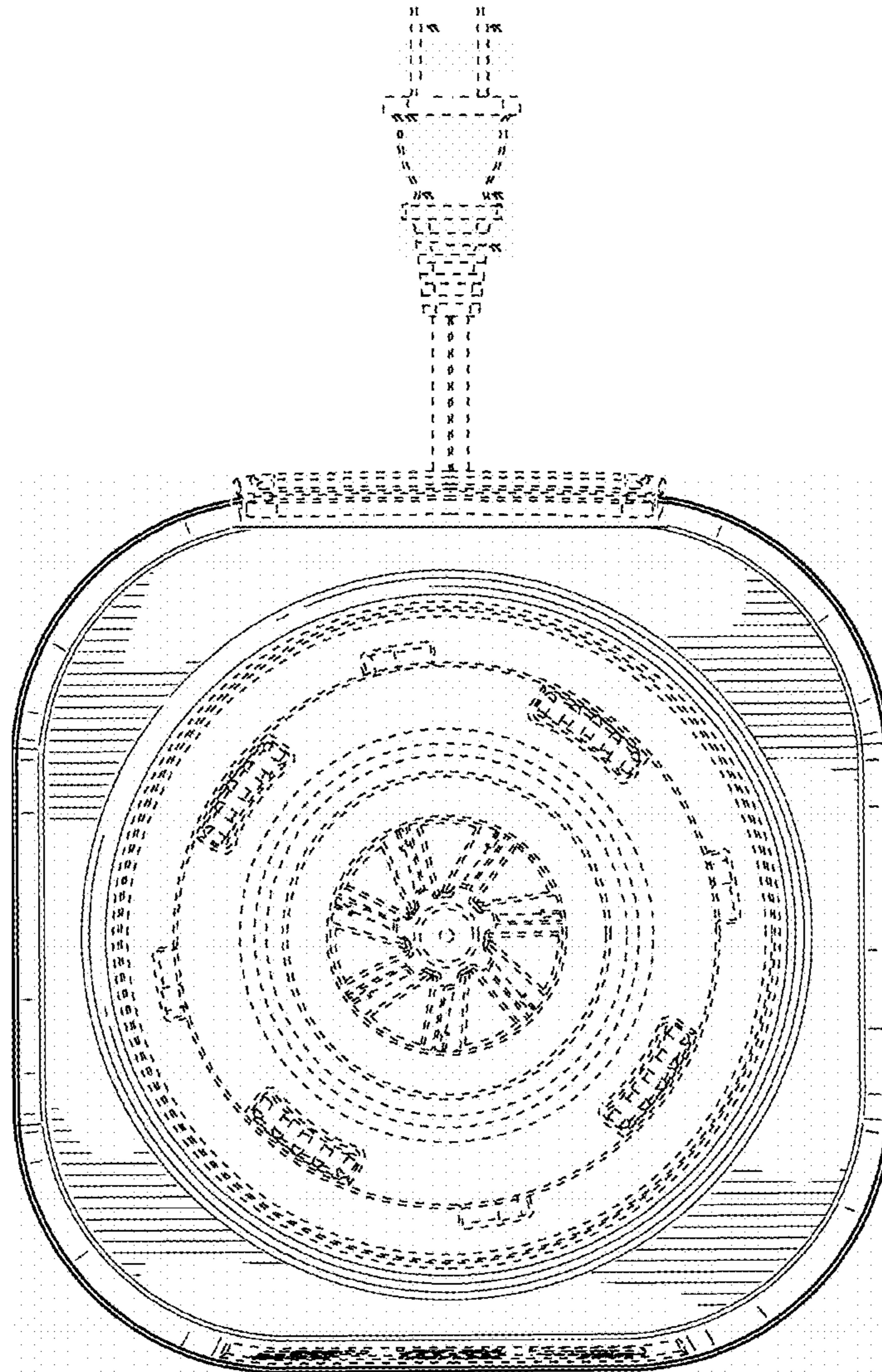


FIG. 6



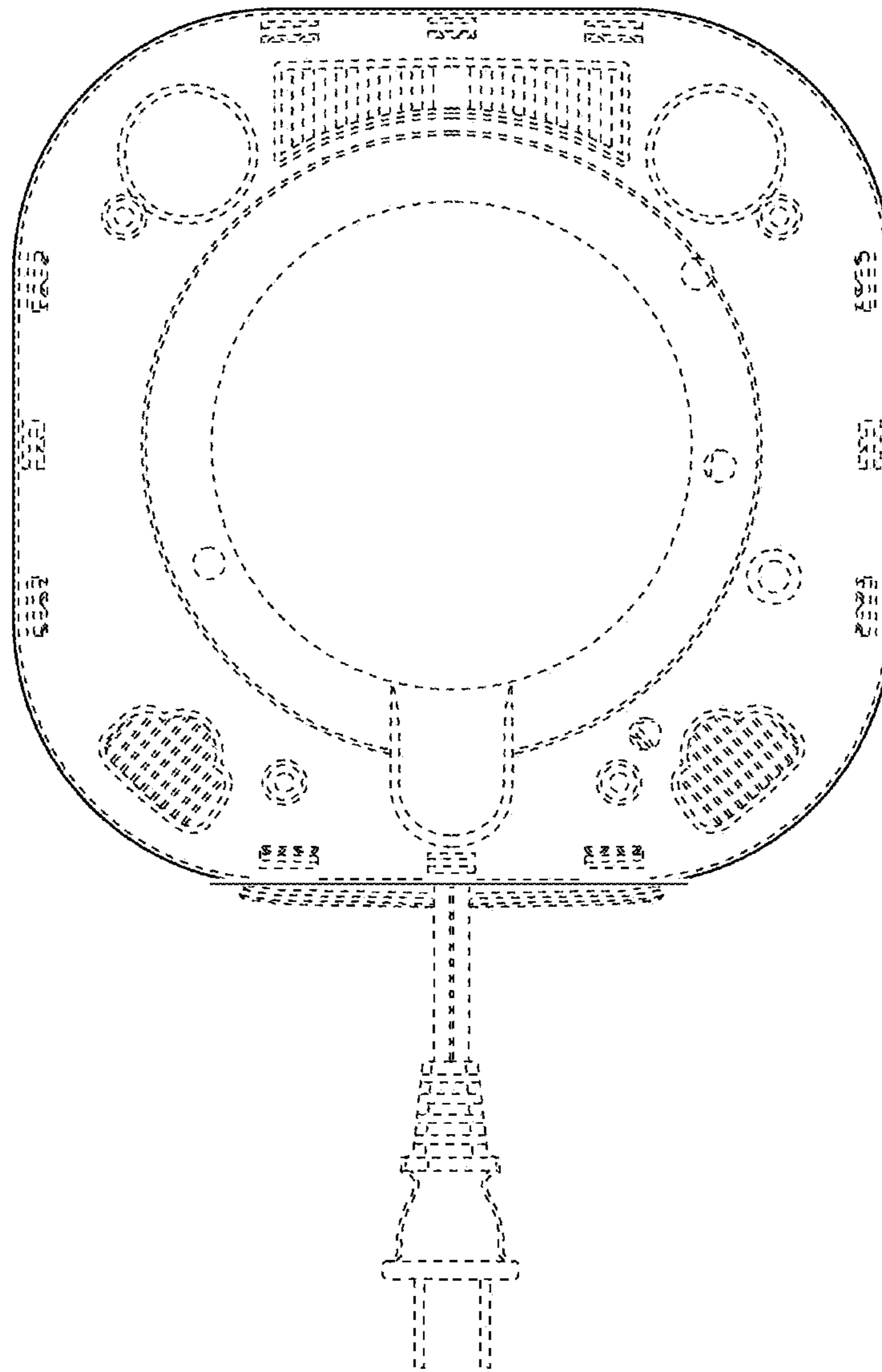


FIG. 7