



US00D985328S

(12) **United States Design Patent**  
**Chen**

(10) **Patent No.:** **US D985,328 S**

(45) **Date of Patent:** **\*\* May 9, 2023**

(54) **MILK FROTHER**

(71) Applicant: **Huanxin Chen**, Shantou (CN)

(72) Inventor: **Huanxin Chen**, Shantou (CN)

(\*\*) Term: **15 Years**

(21) Appl. No.: **29/884,318**

(22) Filed: **Feb. 9, 2023**

(51) **LOC (14) Cl.** ..... **31-00**

(52) **U.S. Cl.**

USPC ..... **D7/377; D7/376; D7/378**

(58) **Field of Classification Search**

USPC ..... D7/318, 372, 376–386, 412–413, 510,  
D7/602, 629, 665–666, 669, 679,  
D7/693–694

CPC .... A21C 1/02; A21C 1/04; A23N 1/00; A23N  
1/02; A47J 43/04; A47J 43/25; A47J  
43/27; A47J 43/042; A47J 43/044; A47J  
43/046; A47J 43/075; A47J 43/0722;  
A47J 43/0727; B01F 3/00; B01F 3/0807;  
B01F 3/0853; B01F 13/0059; B01F  
13/0064; B02C 1/08; B02C 2/04; B02C  
4/42; B02C 4/142; B02C 4/143; B02C  
4/423; B02C 13/1835; B28C 5/10; B28C  
5/12; B28C 5/14; B28C 5/16

See application file for complete search history.

(56) **References Cited**

**U.S. PATENT DOCUMENTS**

D602,308 S	*	10/2009	Alviar	.....	D7/533
D630,467 S	*	1/2011	Harrod	.....	D7/378
D728,302 S	*	5/2015	Vu	.....	D7/378
D793,152 S	*	8/2017	Gushwa	.....	D7/378
D817,080 S	*	5/2018	Seidl	.....	A47J 43/25
					D7/377
D827,354 S	*	9/2018	Wong	.....	D7/318

D895,348 S	*	9/2020	Vignau-Lous	.....	D7/378
D918,636 S	*	5/2021	Mangiarotti	.....	D7/318
D920,032 S	*	5/2021	McConnell	.....	D7/378
D936,412 S	*	11/2021	Lissoni	.....	D7/377
D938,776 S	*	12/2021	Hayon	.....	D7/378
D943,338 S		2/2022	Feng		
D976,053 S	*	1/2023	Ci	.....	D7/378
D977,901 S	*	2/2023	McConnell	.....	D7/378

**OTHER PUBLICATIONS**

Paris Rhone Milk Frother. Date First Available on Amazon.com  
May 22, 2022. <https://www.amazon.com/dp/B09XF8Y6C7/ref> (Year:  
2022).\*

\* cited by examiner

*Primary Examiner* — Ricky Pham

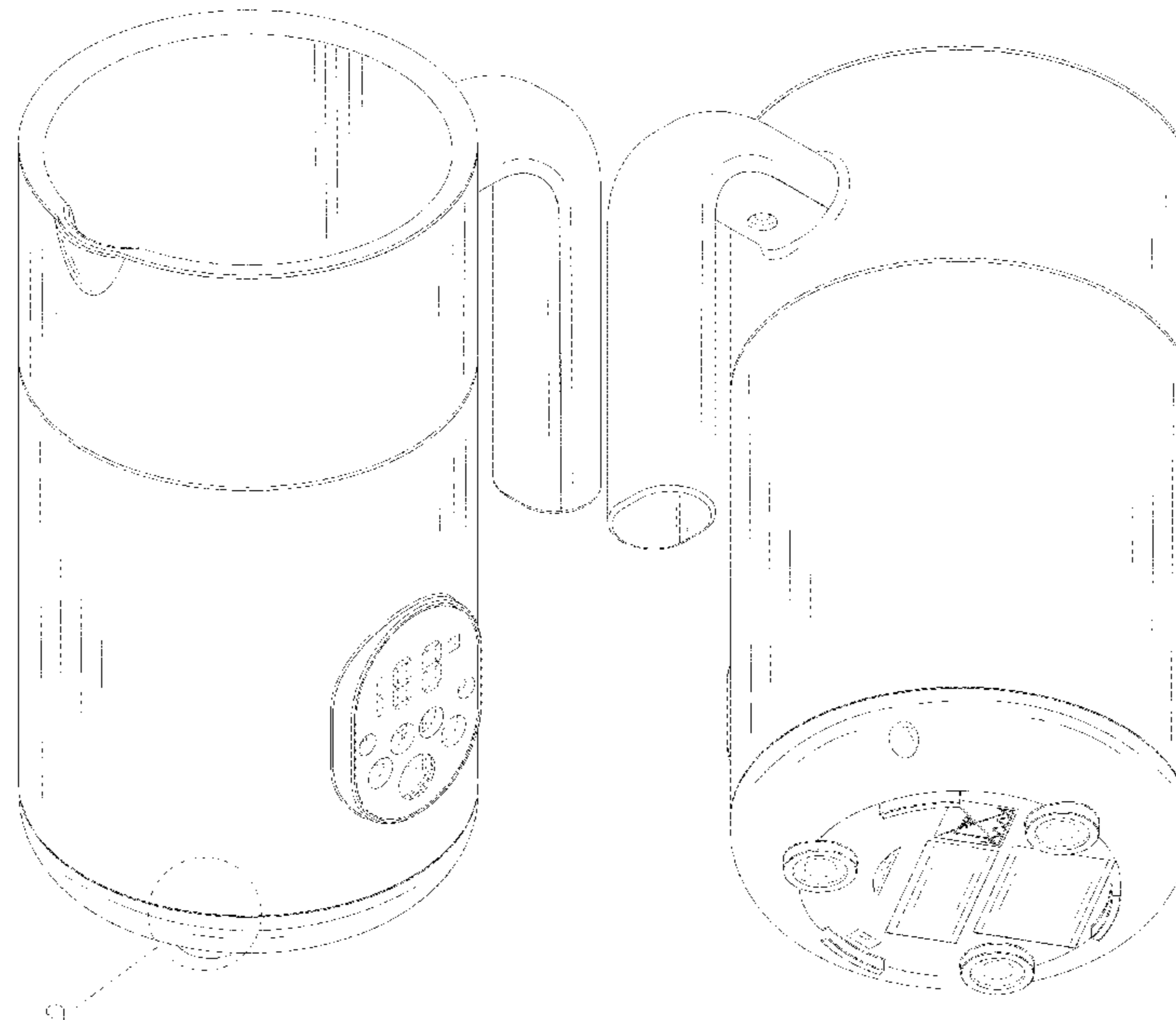
(57) **CLAIM**

The ornamental design for a milk frother, as shown and  
described.

**DESCRIPTION**

FIG. 1 is a front perspective view of a milk frother, showing  
my new design;  
FIG. 2 is a rear perspective view thereof;  
FIG. 3 is a front view thereof;  
FIG. 4 is a rear view thereof;  
FIG. 5 is a left side view thereof;  
FIG. 6 is a right side view thereof;  
FIG. 7 is a top view thereof;  
FIG. 8 is a bottom view thereof; and,  
FIG. 9 is a partial enlargement of FIG. 1.  
The broken lines in the drawings illustrate the portions of the  
milk frother, which form no part of the claimed design.

**1 Claim, 9 Drawing Sheets**



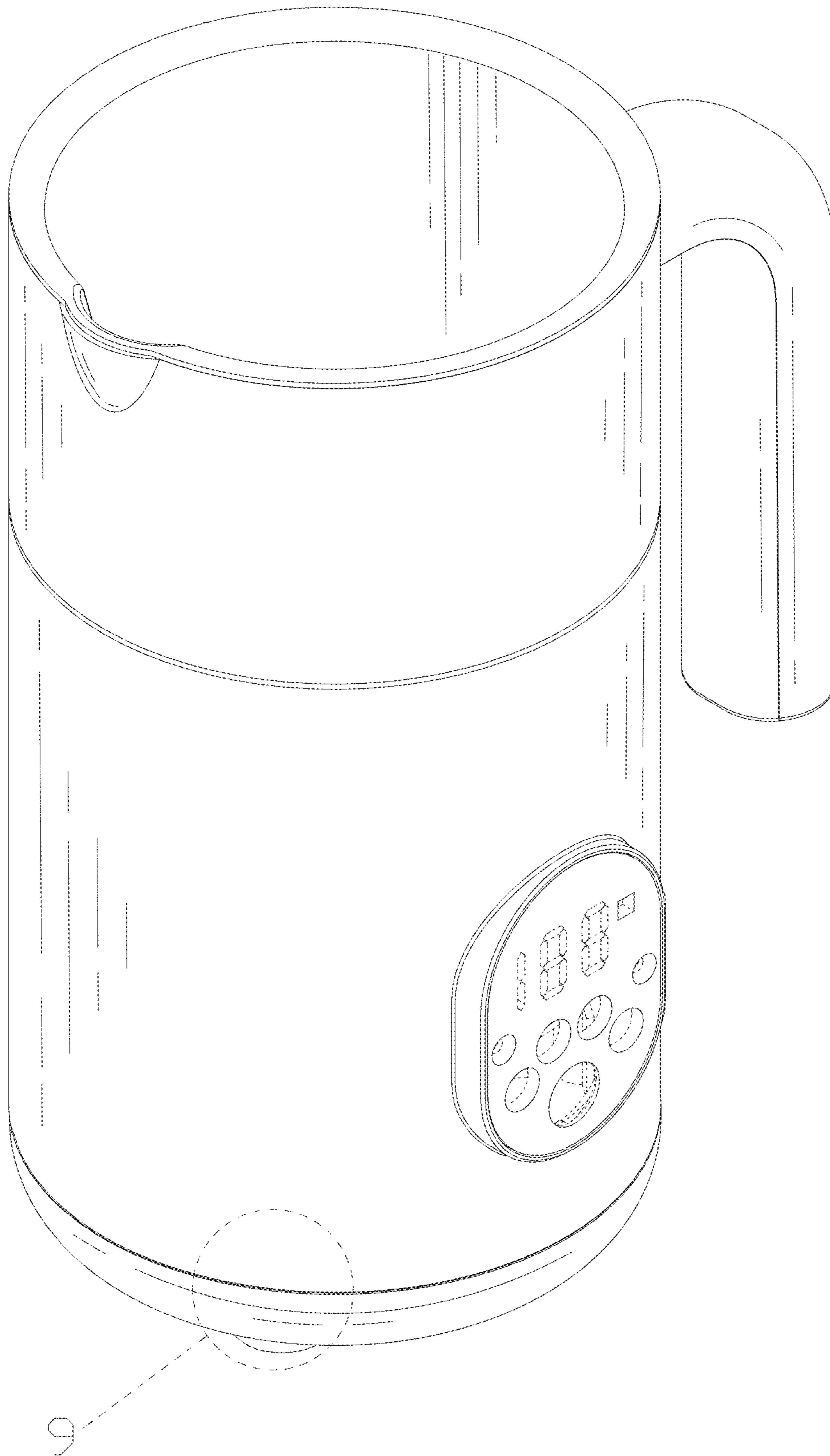


FIG. 1

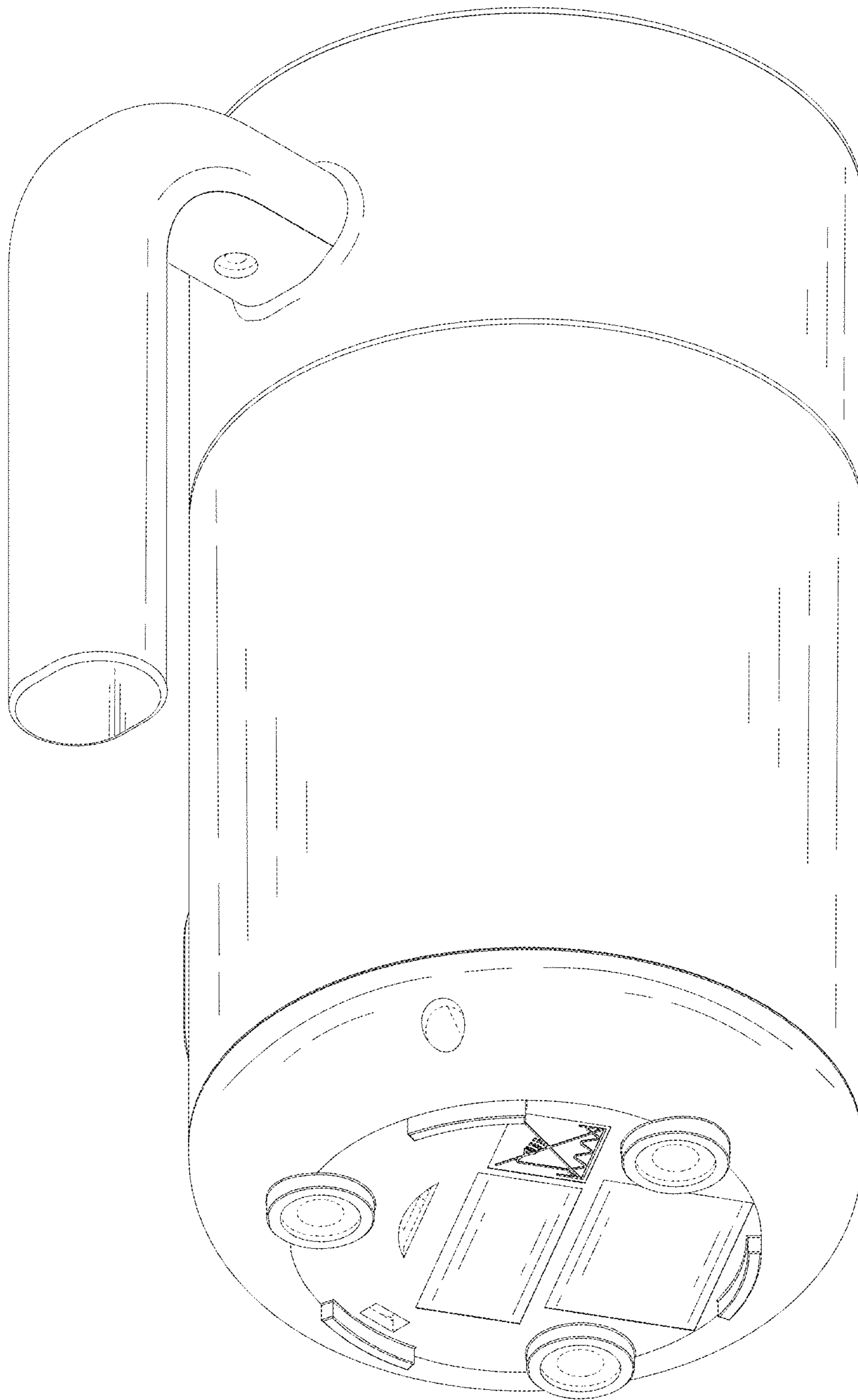


FIG. 2

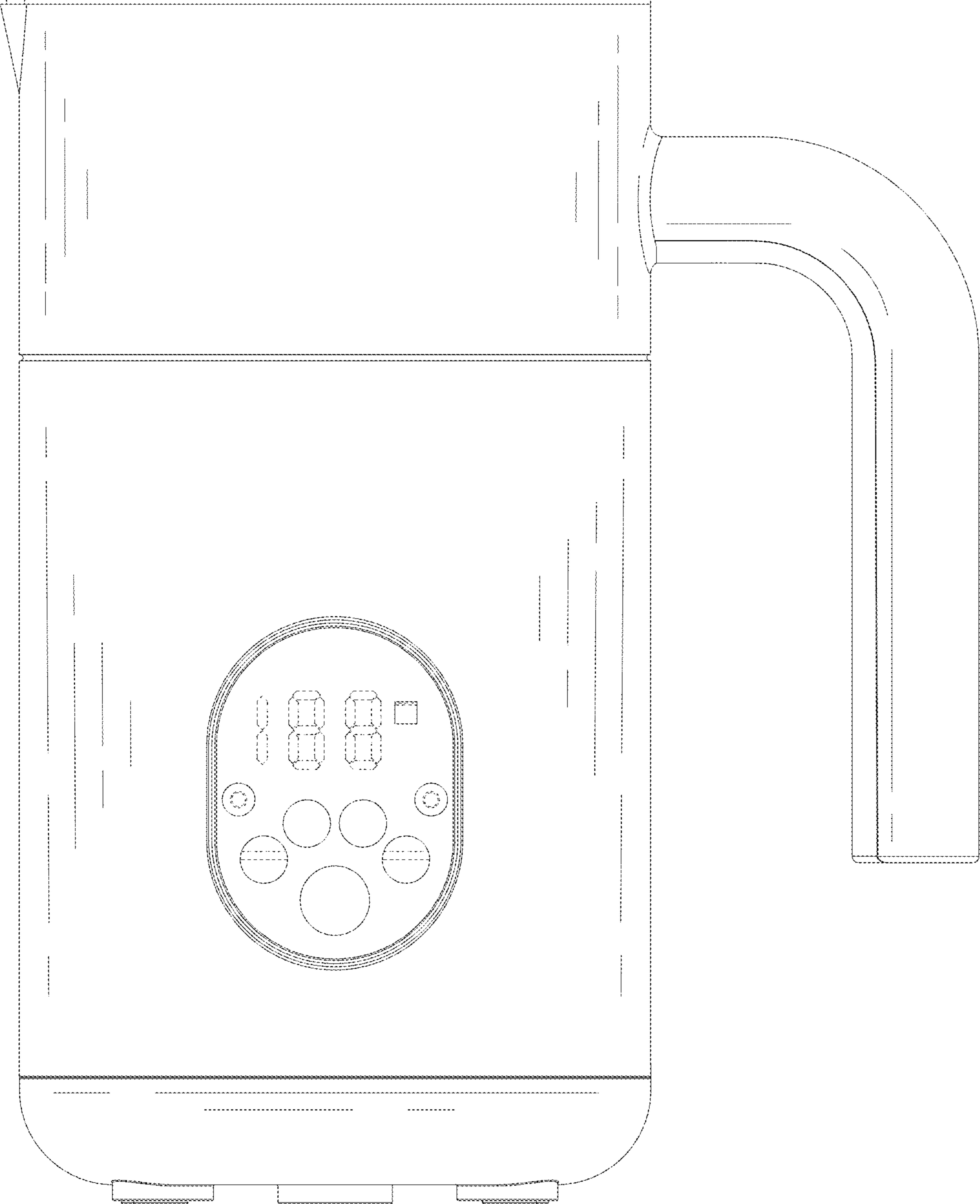


FIG. 3

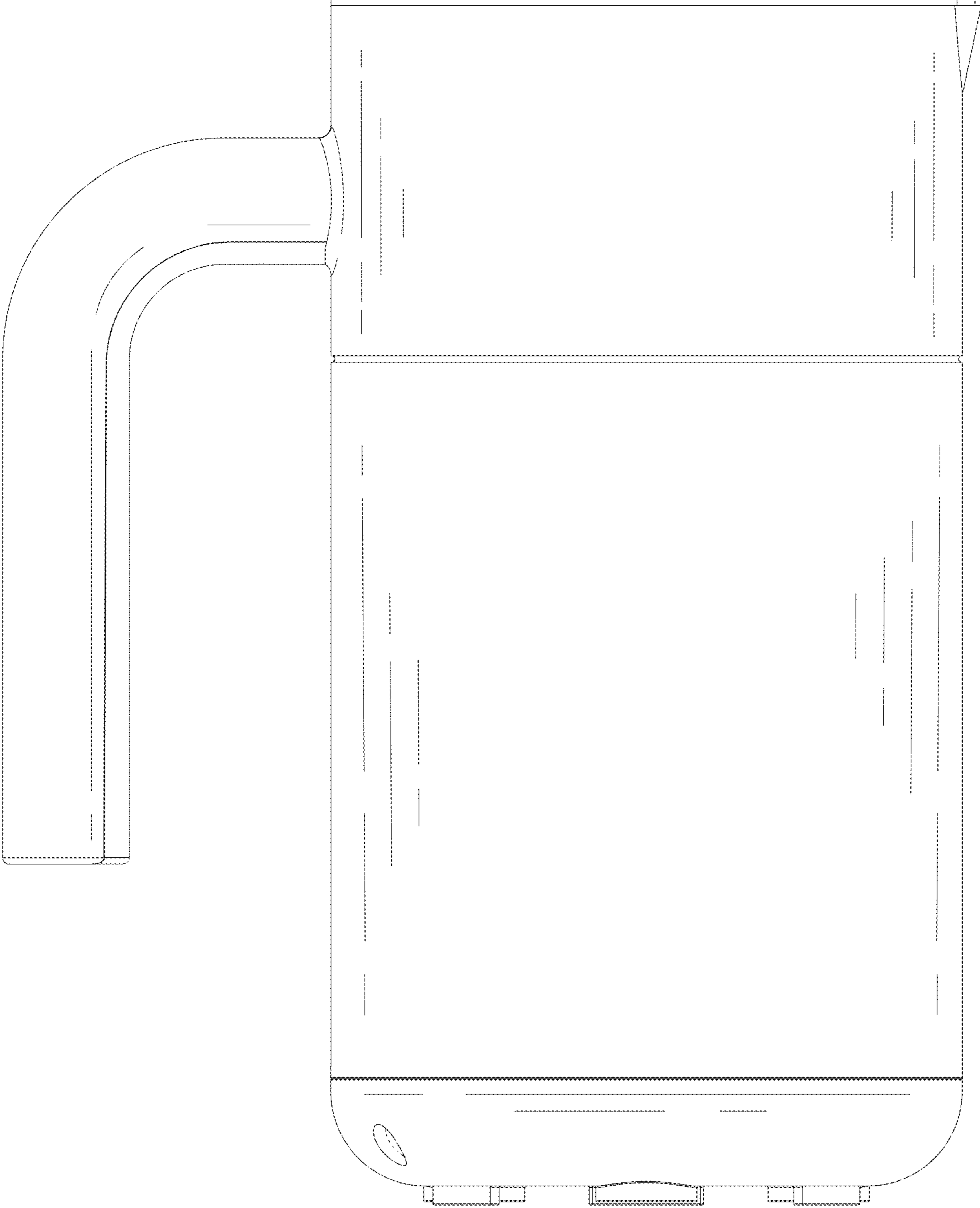


FIG. 4

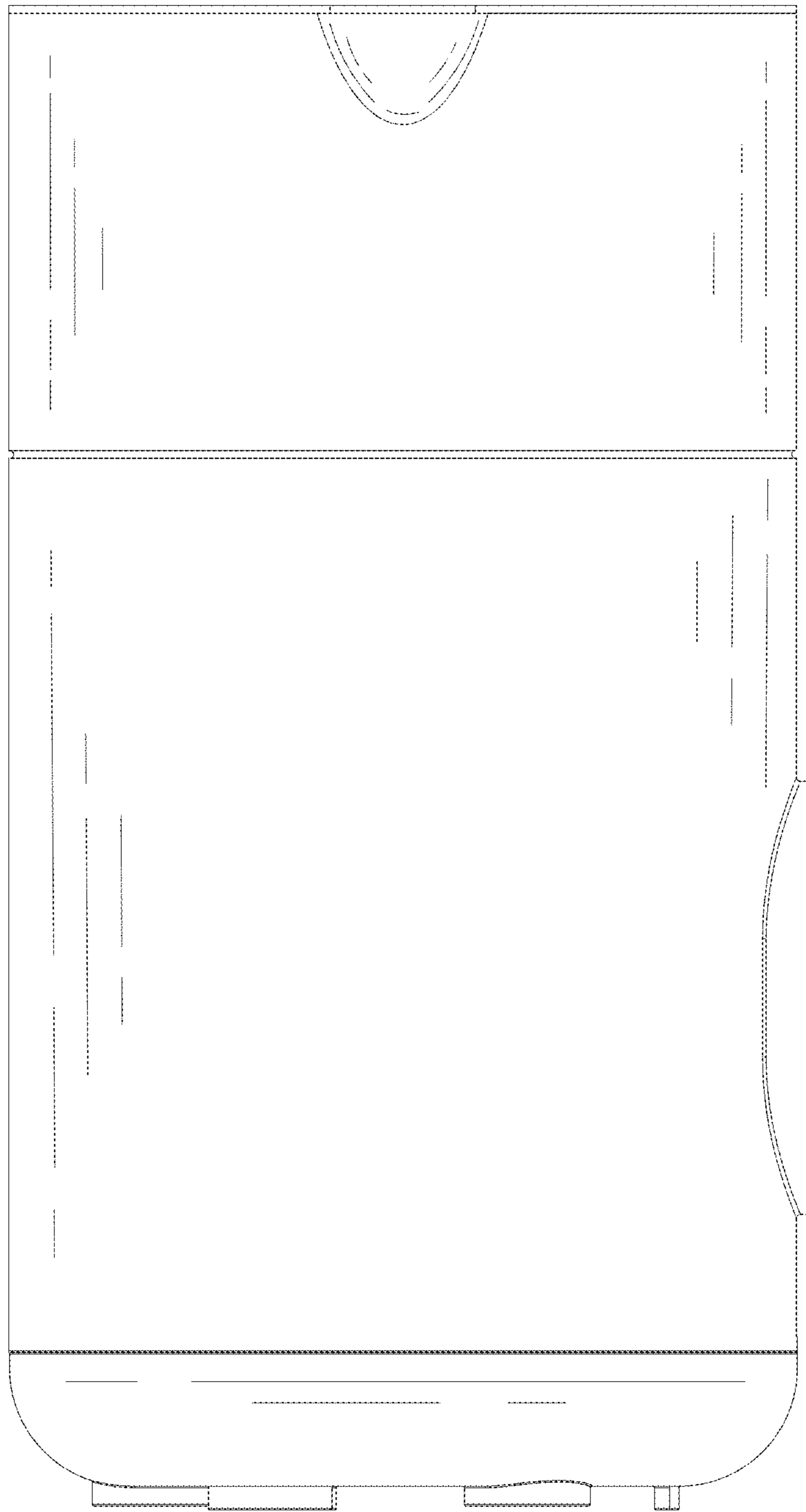


FIG. 5

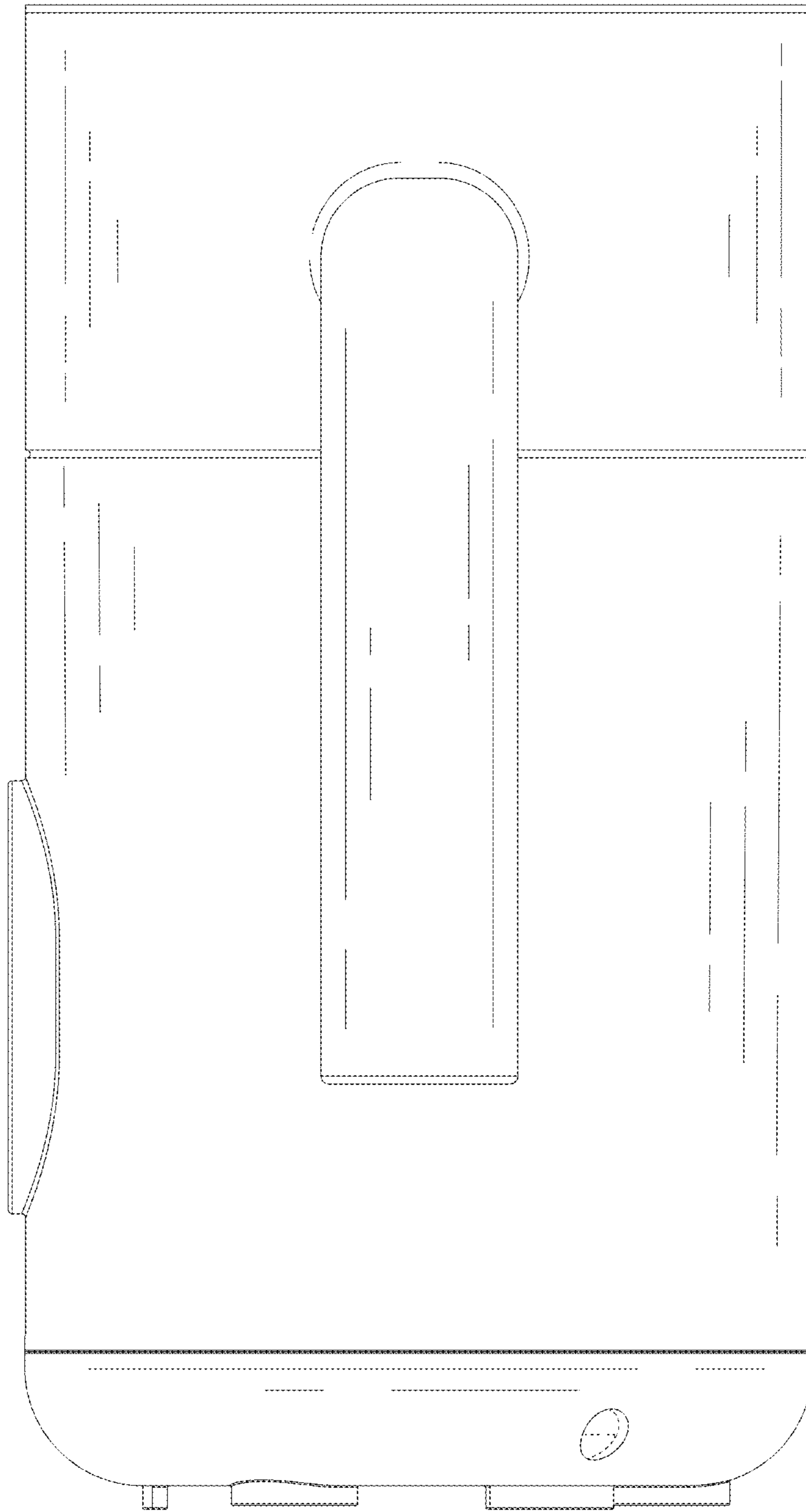


FIG. 6

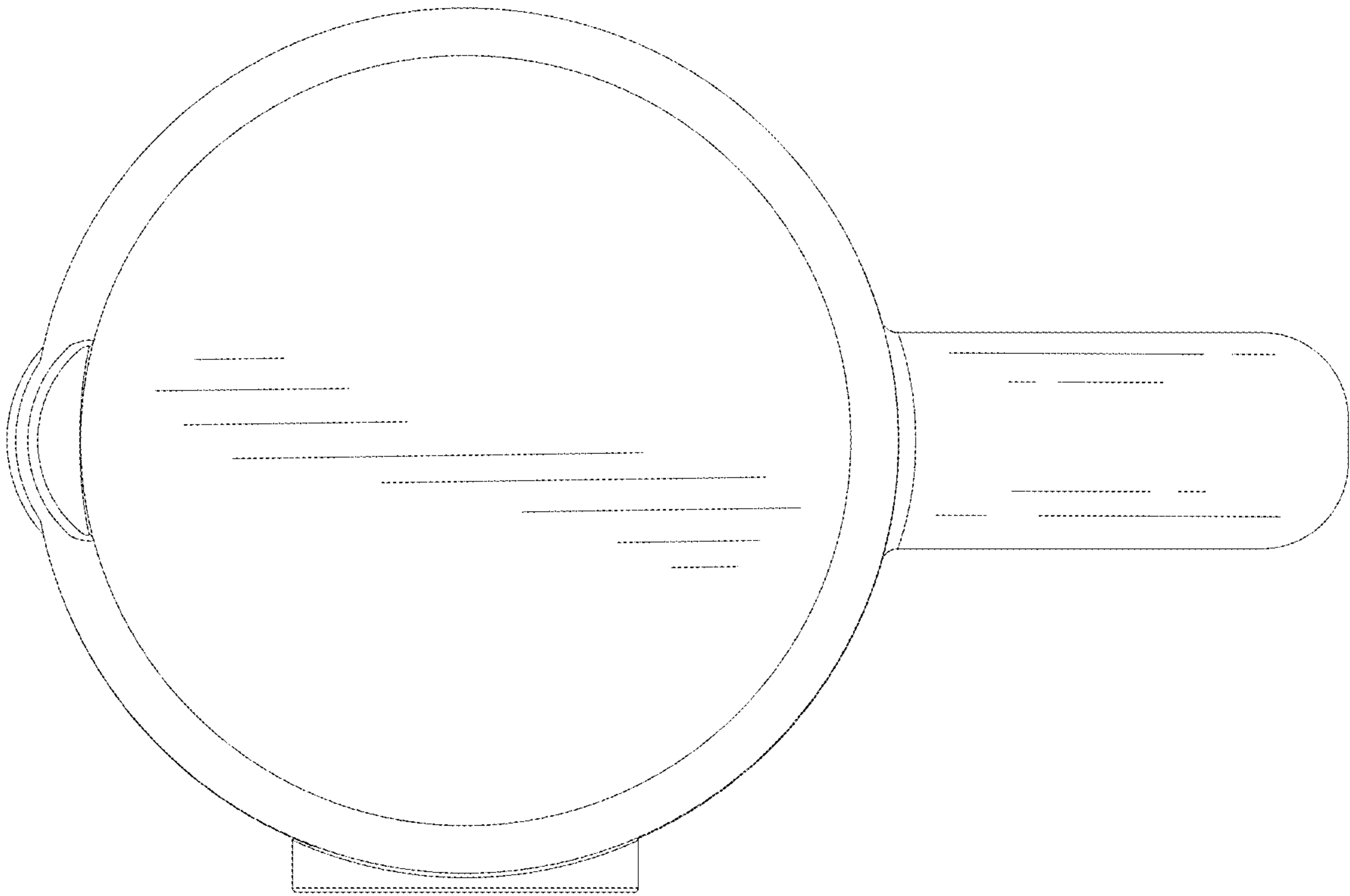


FIG. 7



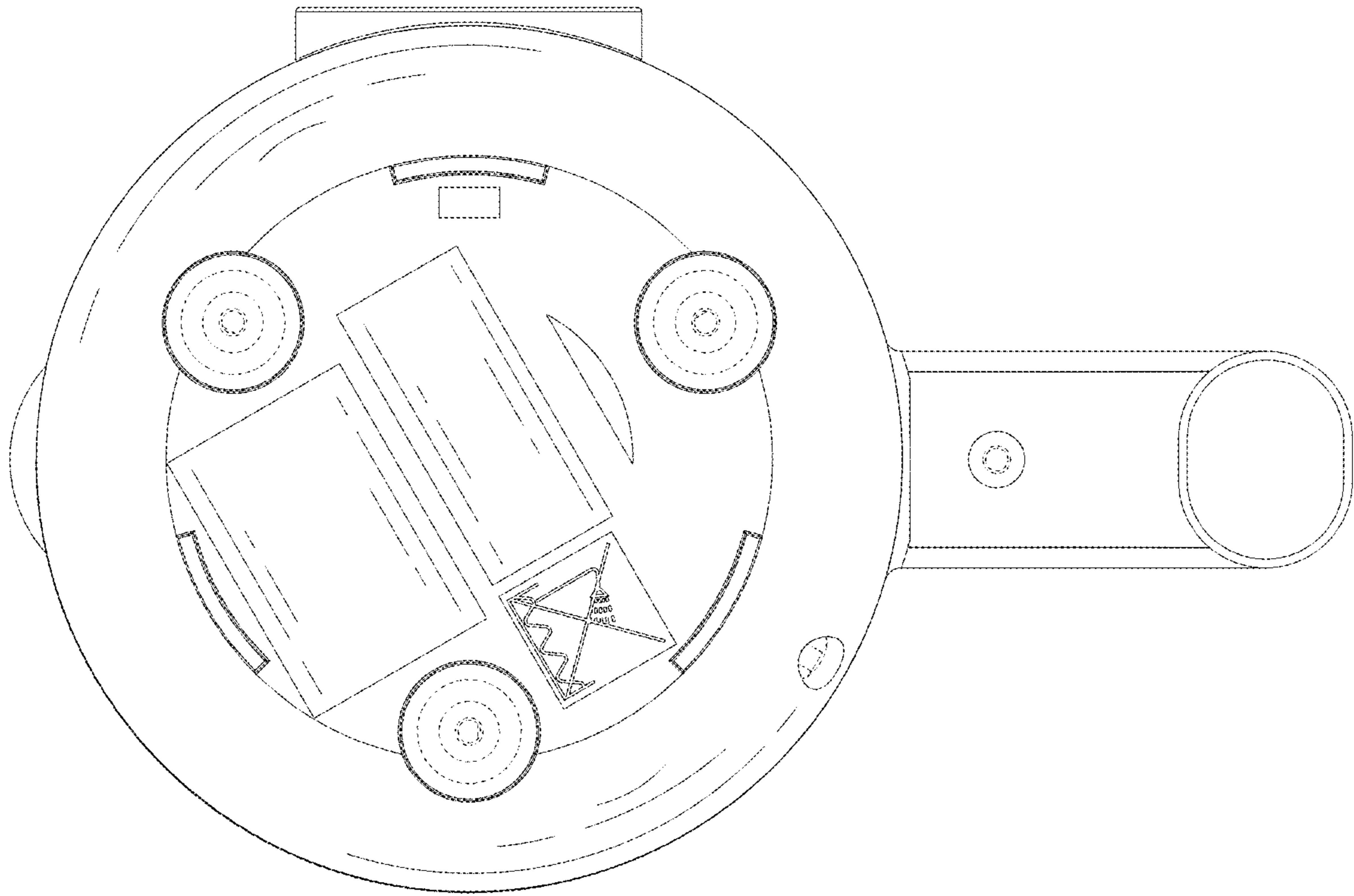


FIG. 8

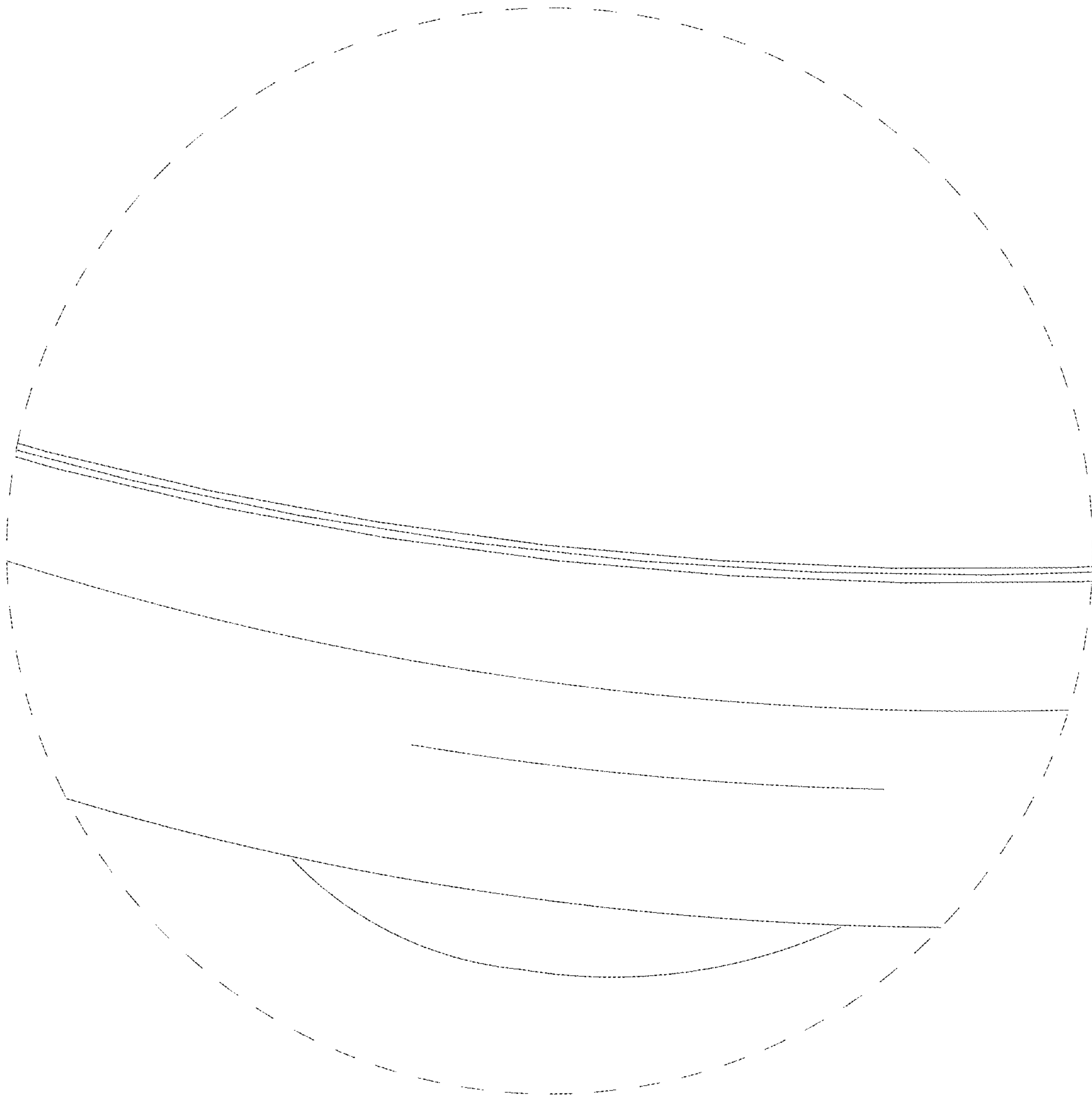


FIG. 9