



US00D985327S

(12) **United States Design Patent** (10) **Patent No.:** **US D985,327 S**
Dai (45) **Date of Patent:** **** May 9, 2023**

(54) **COCKTAIL SMOKER KIT**

FOREIGN PATENT DOCUMENTS

(71) Applicant: **Shenzhen Minghan Technology Co., Ltd**, Shenzhen (CN)

EM 009027436-0001 * 6/2022
GB 6209099 * 5/2022

(72) Inventor: **Ming Dai**, Shenzhen (CN)

OTHER PUBLICATIONS

(**) Term: **15 Years**

Avante Mixology Cocktail Smoker Kit, announced © 2023 [online], retrieved Mar. 22, 2023, retrieved from internet, <https://avantemixology.com/products/premium-cocktail-smoker-kit> (Year: 2023).*
SmokeTop Cocktail Smoker Kit, announced Nov. 26, 2021 [online], retrieved Mar. 22, 2023, retrieved from internet, <https://www.amazon.com/SmokeTop-Cocktail-Smoker-Kit-Fashioned/dp/B096YM94NK> (Year: 2021).*

(21) Appl. No.: **29/881,133**

(22) Filed: **Dec. 28, 2022**

(51) **LOC (14) Cl.** **07-04**

(52) **U.S. Cl.**

USPC **D7/368**

(58) **Field of Classification Search**

USPC D7/332, 334, 339, 347, 348, 368, 401.2, D7/402, 409, 501, 538, 543, 553.3, 553.4, D7/553.5, 553.6, 553.7, 553.8, 600.1, D7/600.2, 600.4, 602, 610, 629, 642, 643, D7/644, 645, 646, 698, 701, 703, 704, D7/709

CPC A61B 50/36; A61B 50/362; A61M 1/0058; B65D 41/04; B65D 2251/023; B65D 41/0485; B65D 41/3428

See application file for complete search history.

(Continued)

Primary Examiner — Messina L Smith

(74) *Attorney, Agent, or Firm* — Daniel M. Cohn; Howard M. Cohn

(57) **CLAIM**

The ornamental design for a cocktail smoker kit, as shown and described.

DESCRIPTION

FIG. 1 is a perspective view of a cocktail smoker kit showing my new design;
FIG. 2 is another perspective view thereof;
FIG. 3 is a front elevational view thereof;
FIG. 4 is a rear elevational view thereof;
FIG. 5 is a left side elevational view thereof;
FIG. 6 is a right side elevational view thereof;
FIG. 7 is a top plan view thereof;
FIG. 8 is a bottom plan view thereof; and,
FIG. 9 is an exploded perspective view of the cocktail smoker kit.

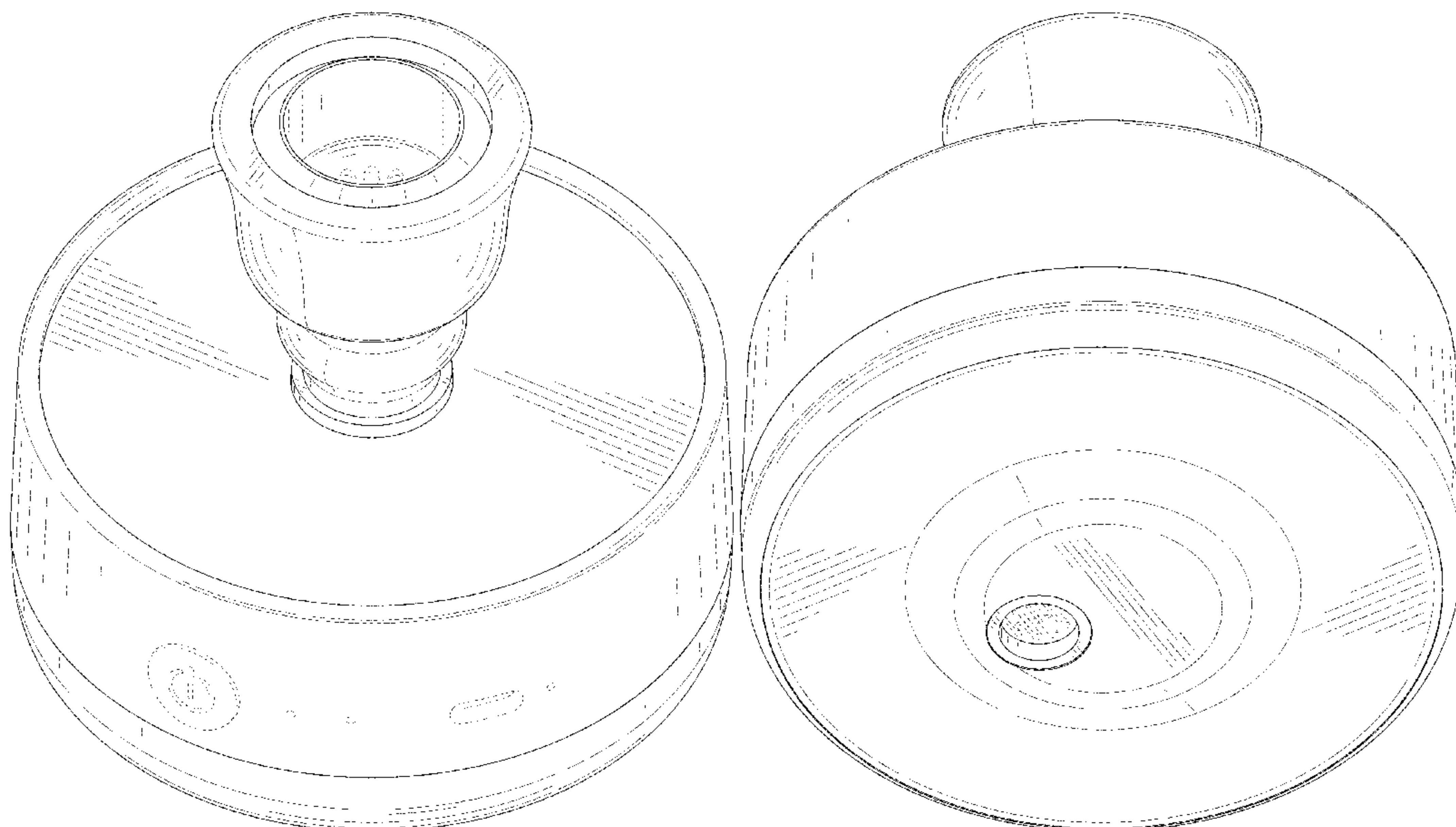
The dash-dash broken lines in the drawings depict portions of the cocktail smoker kit that form no part of the claimed design.

(56) **References Cited**

U.S. PATENT DOCUMENTS

D315,474 S	*	3/1991	Turner	D7/391
D460,897 S	*	7/2002	Leuenberger	D7/553.6
D575,986 S	*	9/2008	Cetera	D7/553.6
D631,695 S	*	2/2011	Sampson	D7/602
D700,478 S	*	3/2014	Simmons	D7/505
D713,247 S	*	9/2014	Webster	D9/438
D748,426 S	*	2/2016	Carzaniga	D7/354
D945,815 S	*	3/2022	Oliver	D7/368
D968,892 S	*	11/2022	Li	D7/409
D979,836 S	*	2/2023	Yan	D27/172
2022/0325213 A1	*	10/2022	Oliver	C12G 3/07

1 Claim, 9 Drawing Sheets



(56)

References Cited

OTHER PUBLICATIONS

Cocktail Smoker Kit with Torch, announced Apr. 12, 2022 [online], retrieved Mar. 22, 2023, retrieved from internet, <https://www.amazon.com/dp/B0B9NKR465> (Year: 2022).*

Untior Fashion Cocktail Smoker, announced © 2010-2022 [online], retrieved Mar. 22, 2023, retrieved from internet, https://www.aliexpress.us/item/3256801081234631.html?gatewayAdapt=glo2usa4itemAdapt&_randl_shipto=US (Year: 2022).*

* cited by examiner

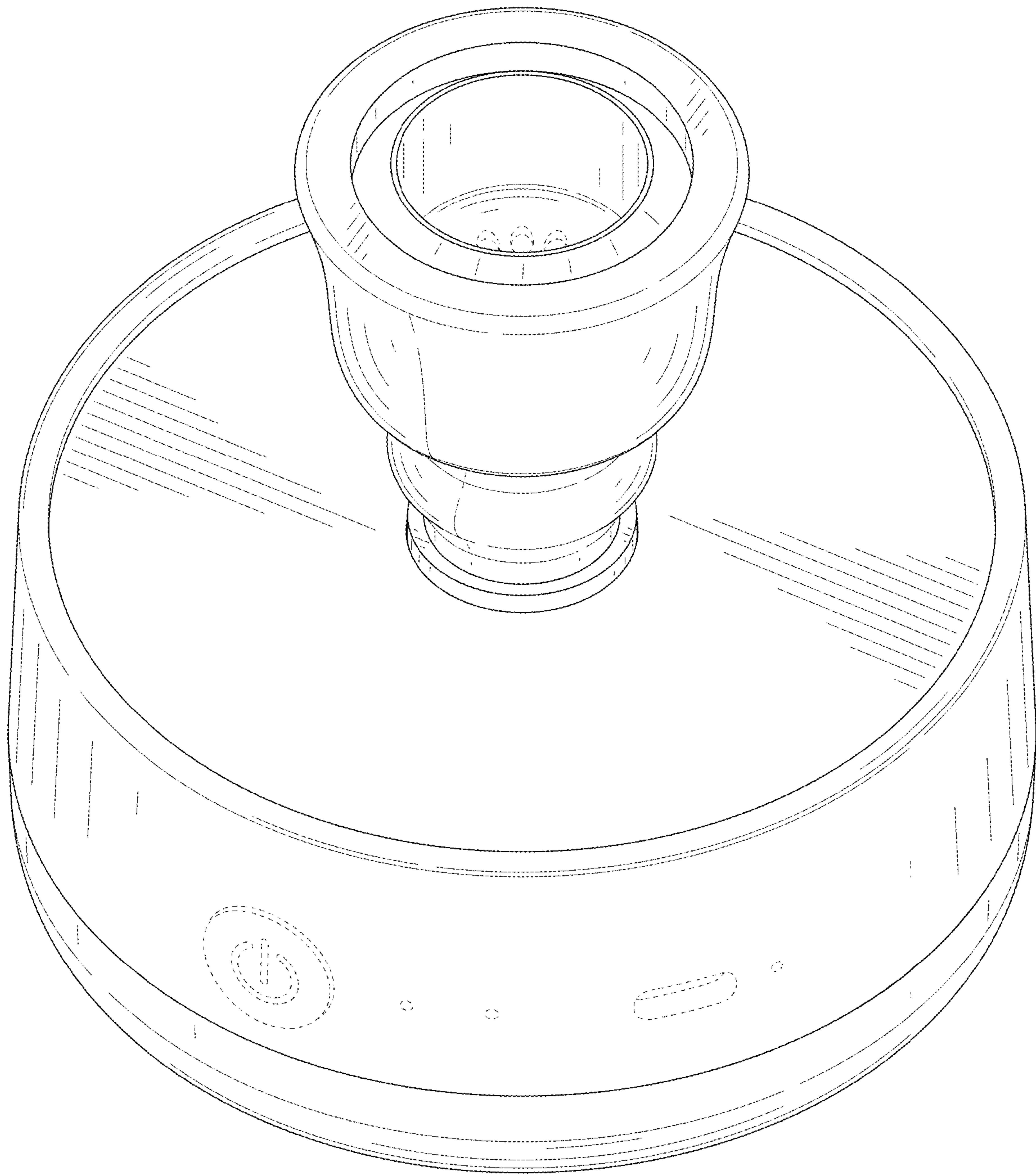


FIG. 1

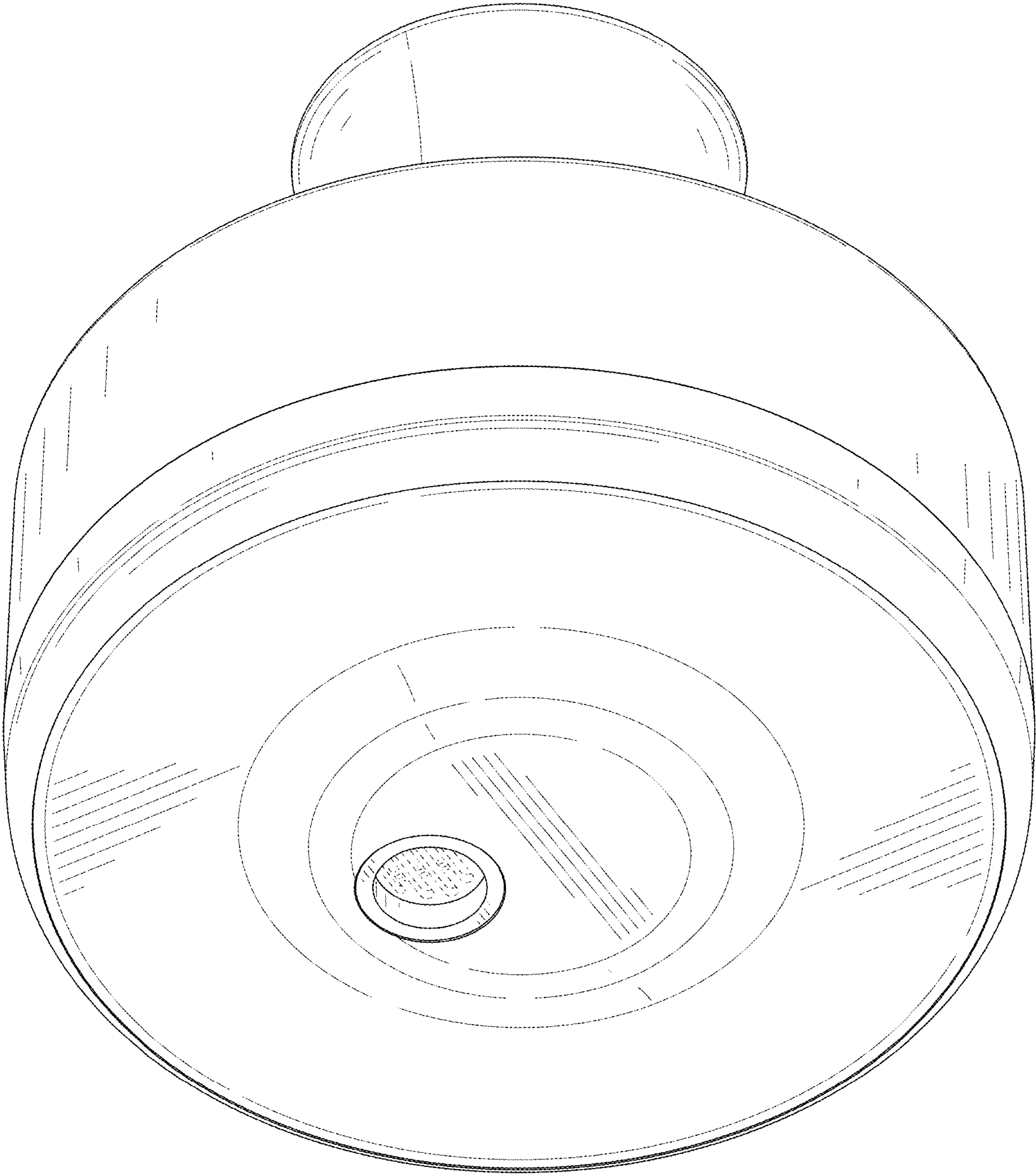


FIG. 2

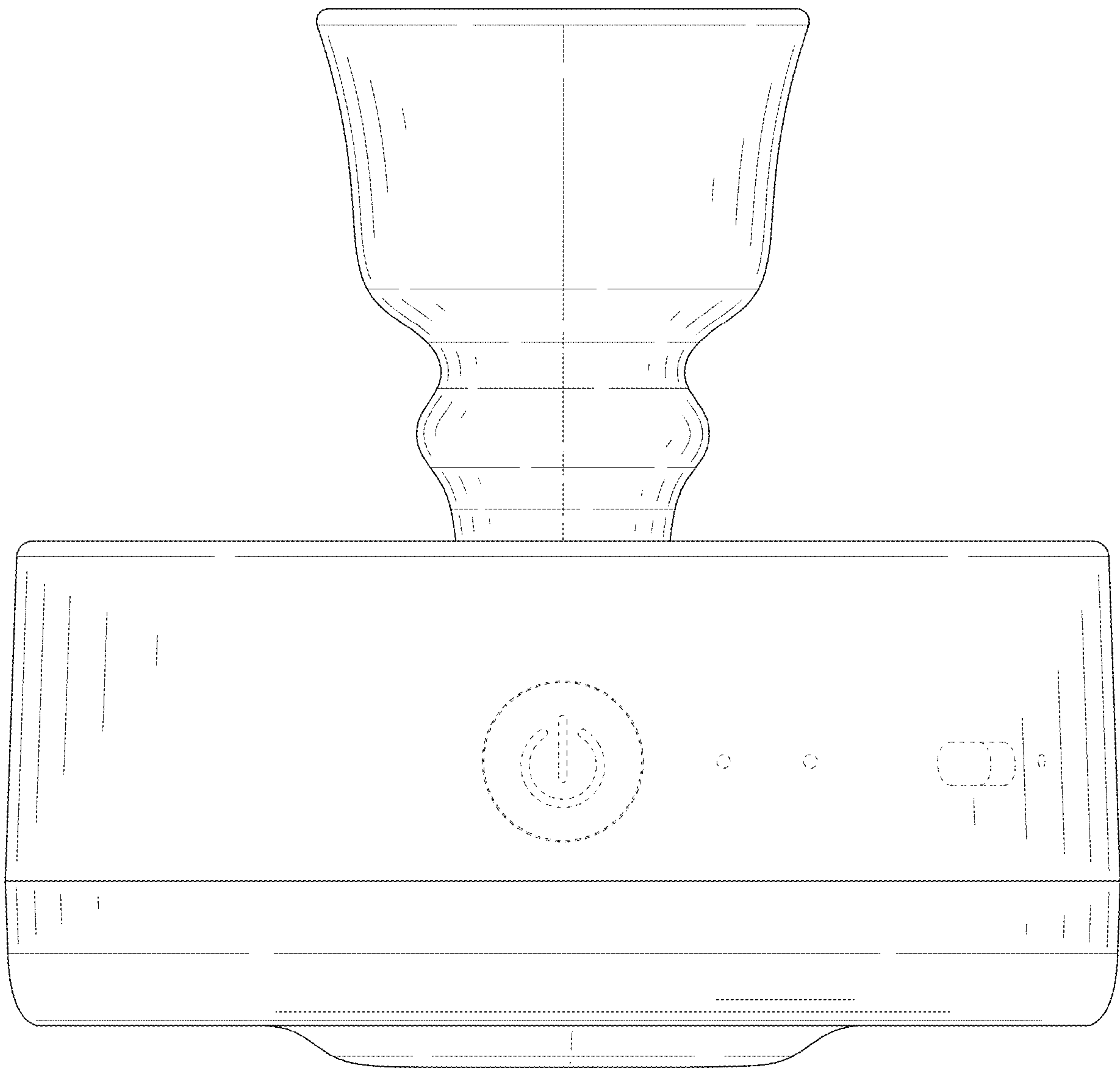


FIG. 3

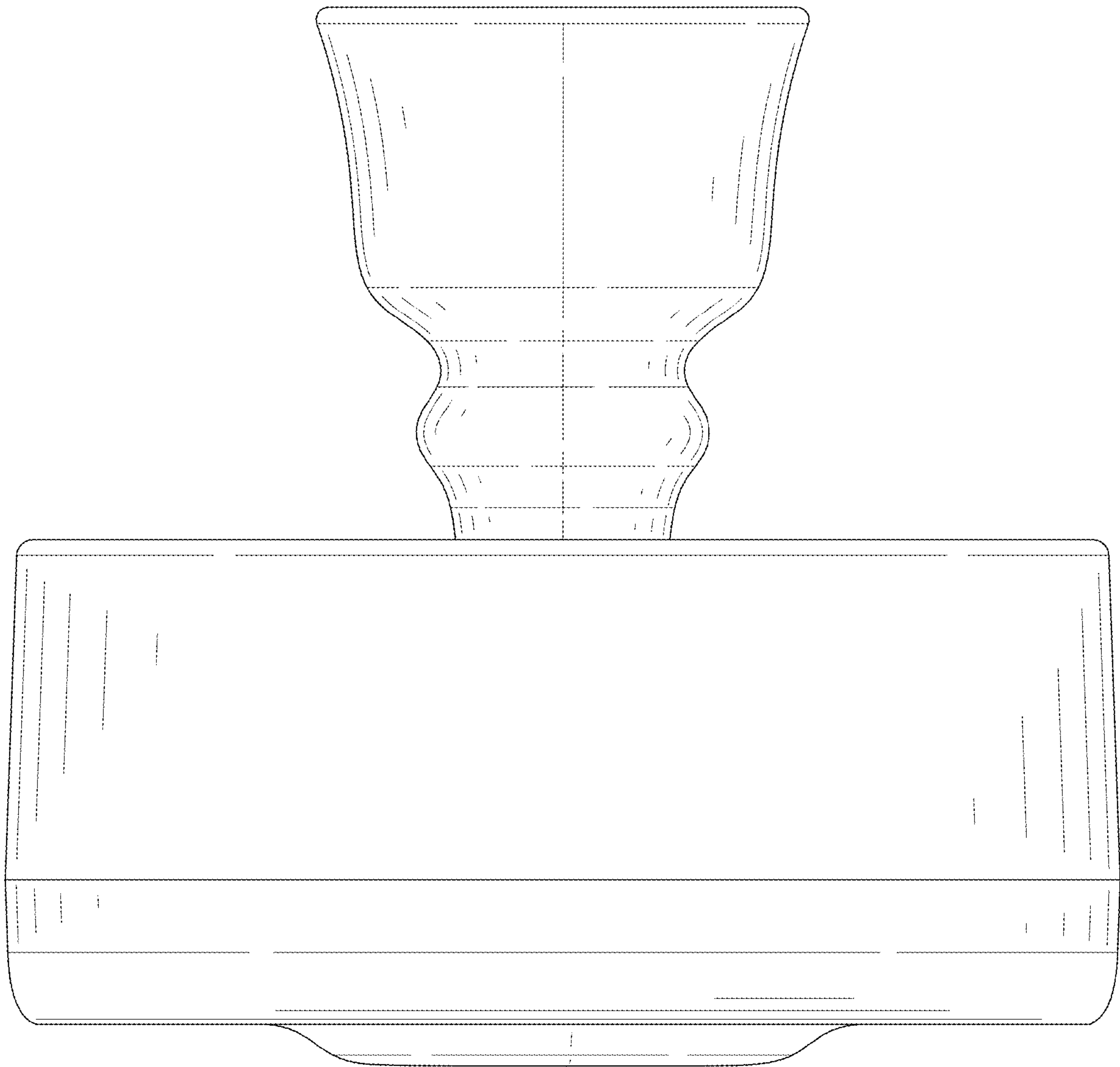


FIG. 4

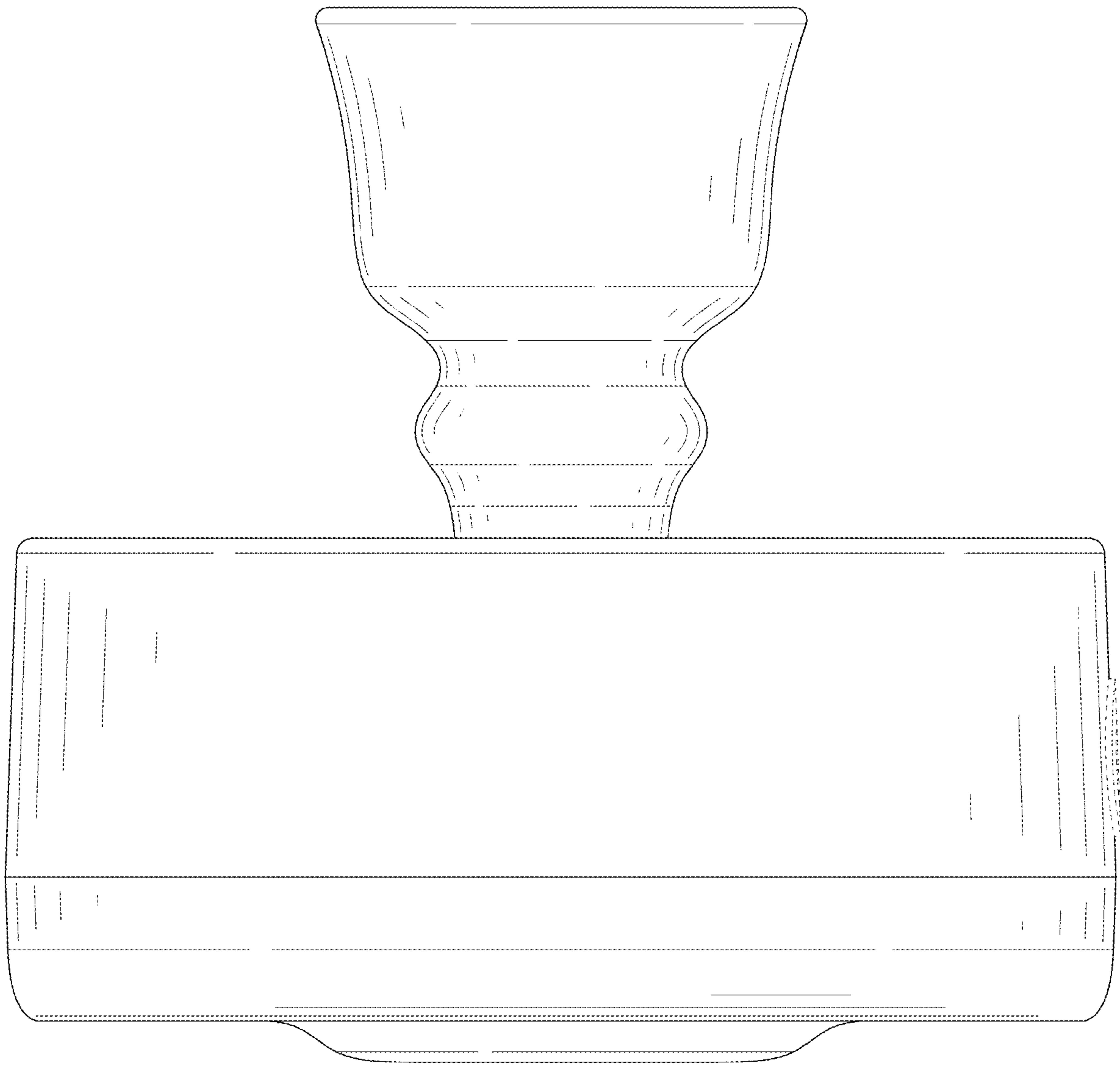


FIG. 5

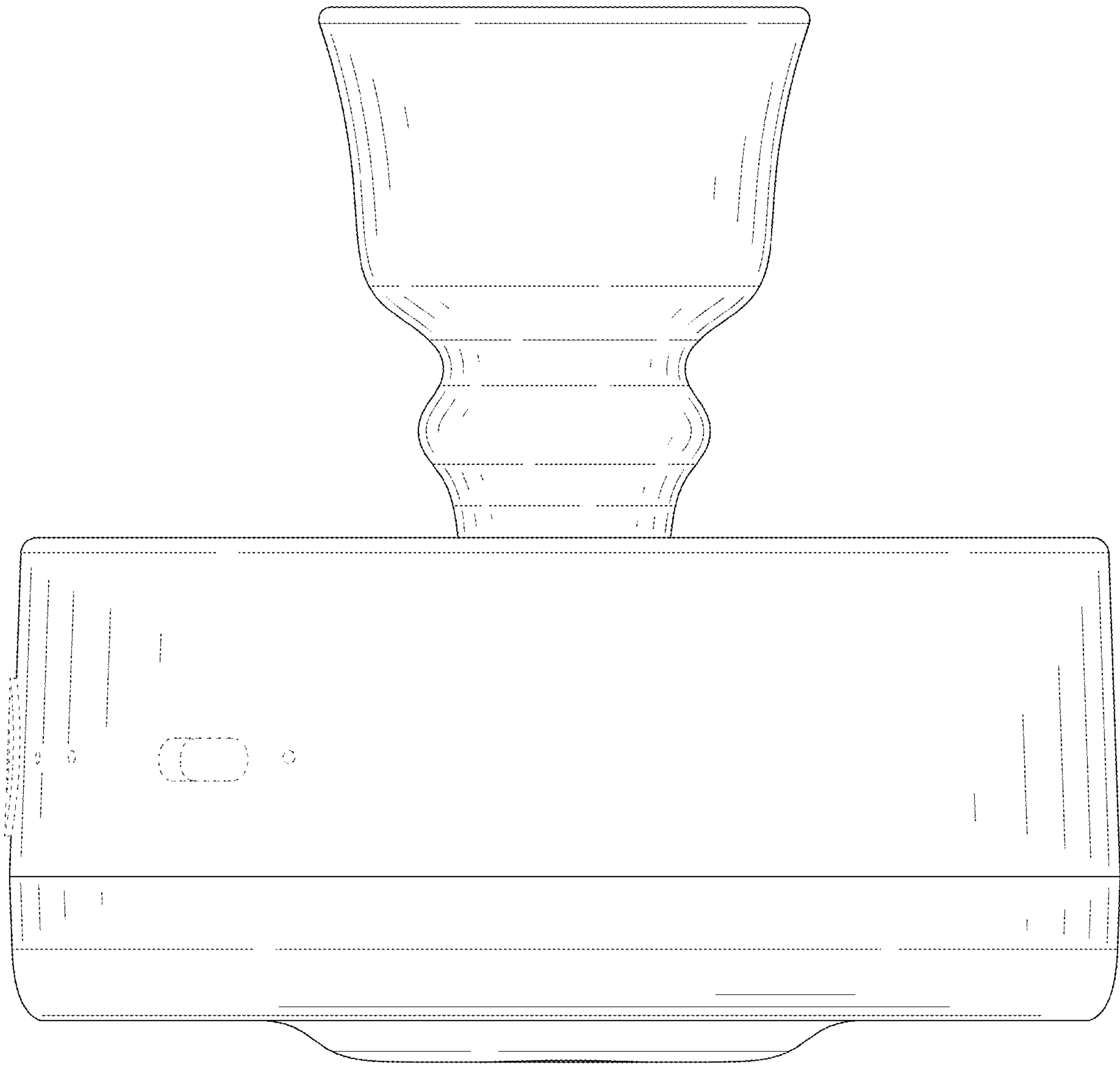


FIG. 6

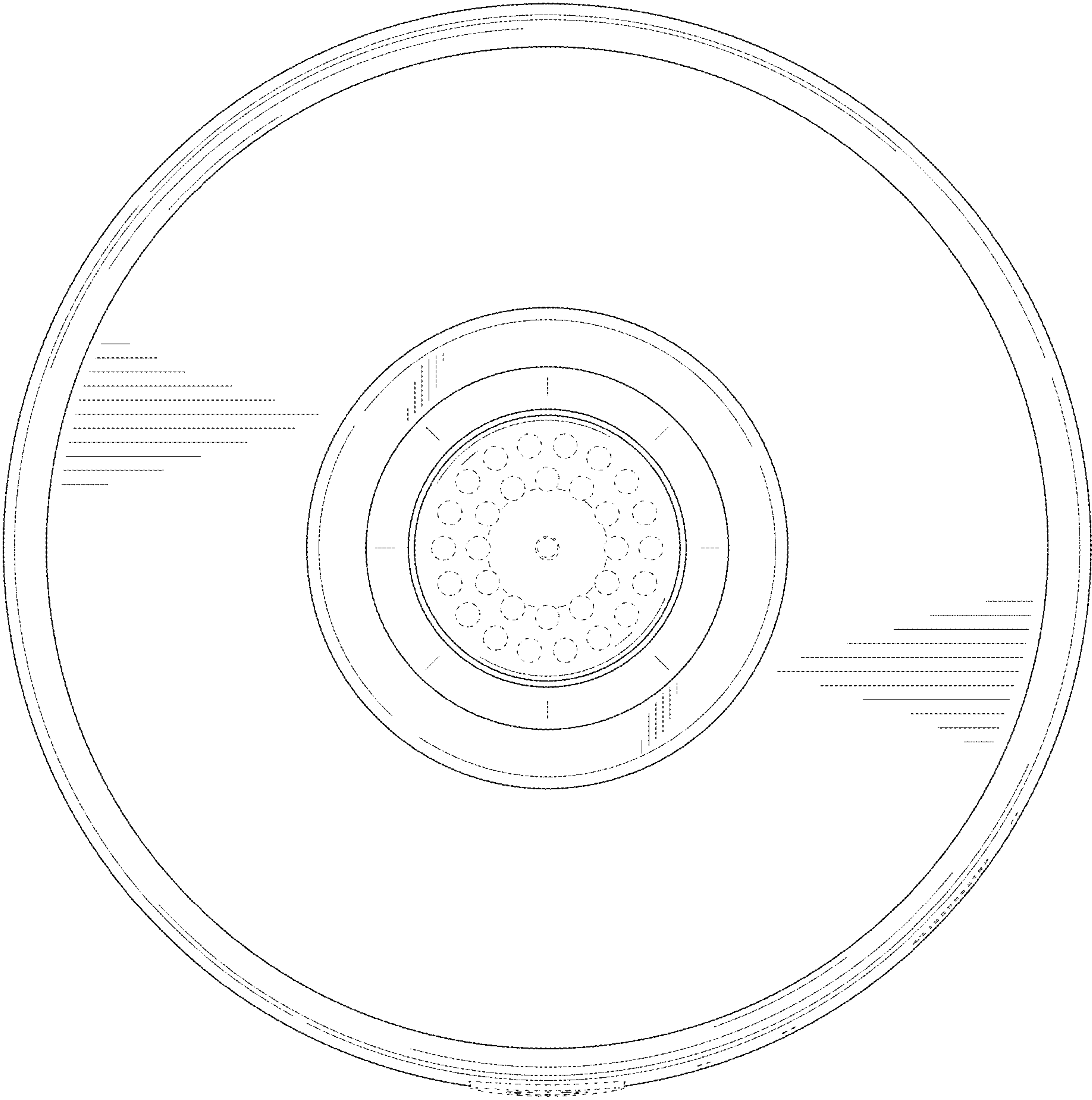


FIG. 7

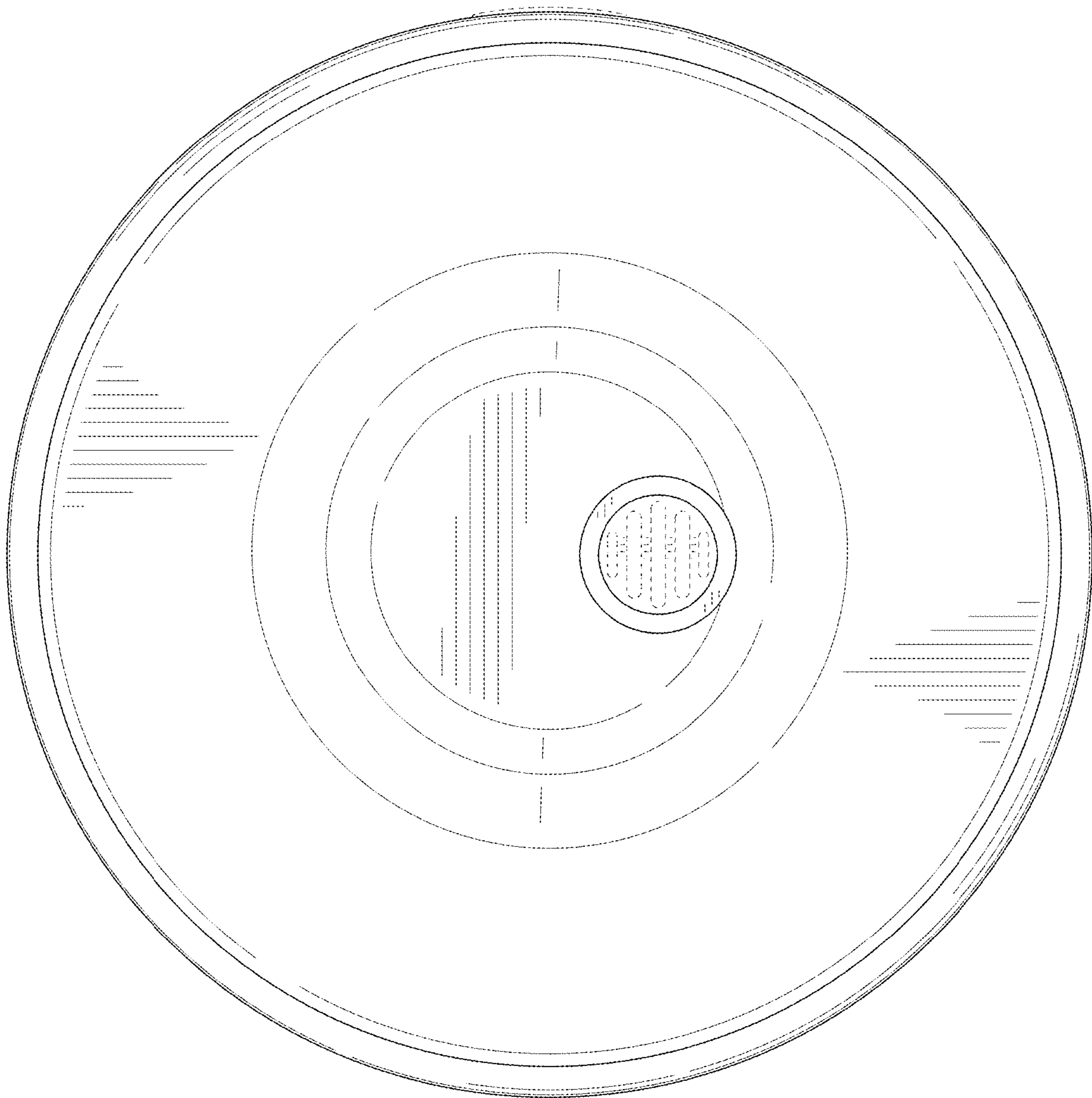


FIG. 8

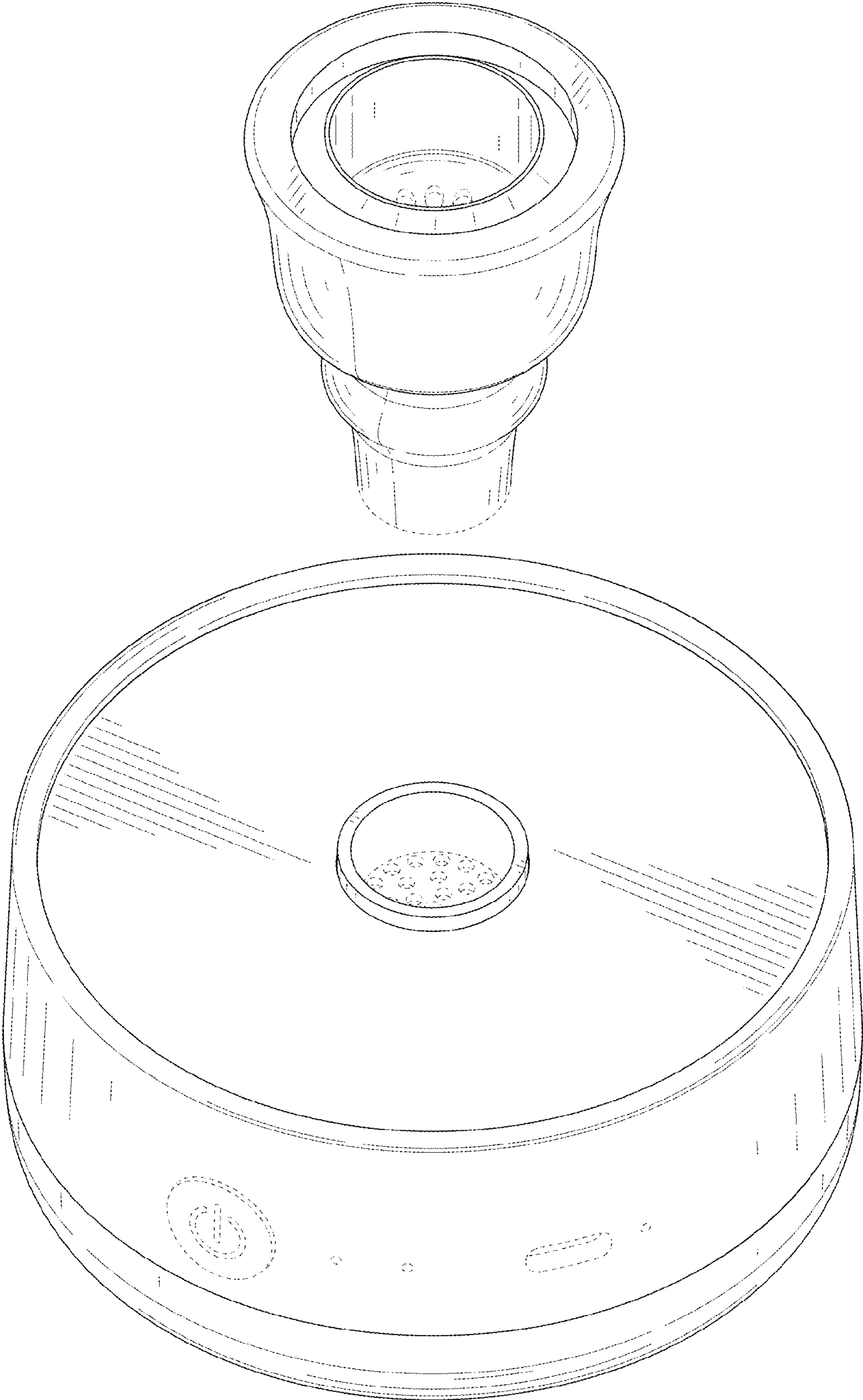


FIG. 9