



US00D985326S

(12) **United States Design Patent**
Ding et al.

(10) **Patent No.:** **US D985,326 S**

(45) **Date of Patent:** **** May 9, 2023**

(54) **MULTIFUNCTIONAL COOKING POT**

(71) Applicant: **FOSHAN SHUNDE MIDEA
ELECTRICAL HEATING
APPLIANCES MANUFACTURING
CO., LTD., Foshan (CN)**

(72) Inventors: **Jie Ding, Foshan (CN); Huiming Wu,
Foshan (CN); Yuxin Cao, Foshan (CN)**

(**) Term: **15 Years**

(21) Appl. No.: **29/780,513**

(22) Filed: **Apr. 25, 2021**

(30) **Foreign Application Priority Data**

Oct. 29, 2020 (CN) 202030649369.1

(51) **LOC (14) Cl.** **07-02**

(52) **U.S. Cl.**
USPC **D7/354; D7/358**

(58) **Field of Classification Search**
USPC D7/323, 354-361, 391, 393, 406;
D21/525; D24/217; D32/1
CPC A47J 27/00; A47J 27/004; A47J 27/08;
A47J 27/0802; A47J 27/0804; A47J
27/0811; A47J 27/0813; A47J 27/0815;
A47J 27/0817; A47J 27/084; A47J 27/09;
A47J 27/092; A47J 36/025; A47J 36/06;
A47J 36/38; A47J 37/12; A47J 37/1204;
A47J 37/1209; A47J 45/07; A47J 45/071;
A47J 45/074; A47J 45/08; B01D
2201/345; B01J 3/03; B01J 3/04; F01P
2011/0247; F01P 2011/0252; H05B 6/00;
H05B 6/02; H05B 6/06
See application file for complete search history.

(56) **References Cited**

U.S. PATENT DOCUMENTS

D380,504 S * 7/1997 Yang D7/354
D686,743 S * 7/2013 Gooch D24/217

D704,500 S * 5/2014 Kim D7/354
D711,679 S * 8/2014 Day D7/354
D756,159 S * 5/2016 Chang D7/354
D850,185 S * 6/2019 Terao D7/354
D854,875 S * 7/2019 Tan D7/354
D900,529 S * 11/2020 You D7/358
D918,644 S * 5/2021 Li D7/354
D919,352 S * 5/2021 Li D7/354
D931,034 S * 9/2021 Fung D7/358
D932,117 S * 9/2021 Xiao D32/1
D963,397 S * 9/2022 Tan D7/358

OTHER PUBLICATIONS

Kuchepro Non-stick Electric Grill. Date First Available on Amazon.com Apr. 14, 2021. <https://www.amazon.com/Non-stick-Multi-function-Removable-Stainless-Stir-fried/dp/B091273XVP/ref> (Year: 2021).*

* cited by examiner

Primary Examiner — Ricky Pham

(74) *Attorney, Agent, or Firm* — Kilpatrick Townsend & Stockton, LLP

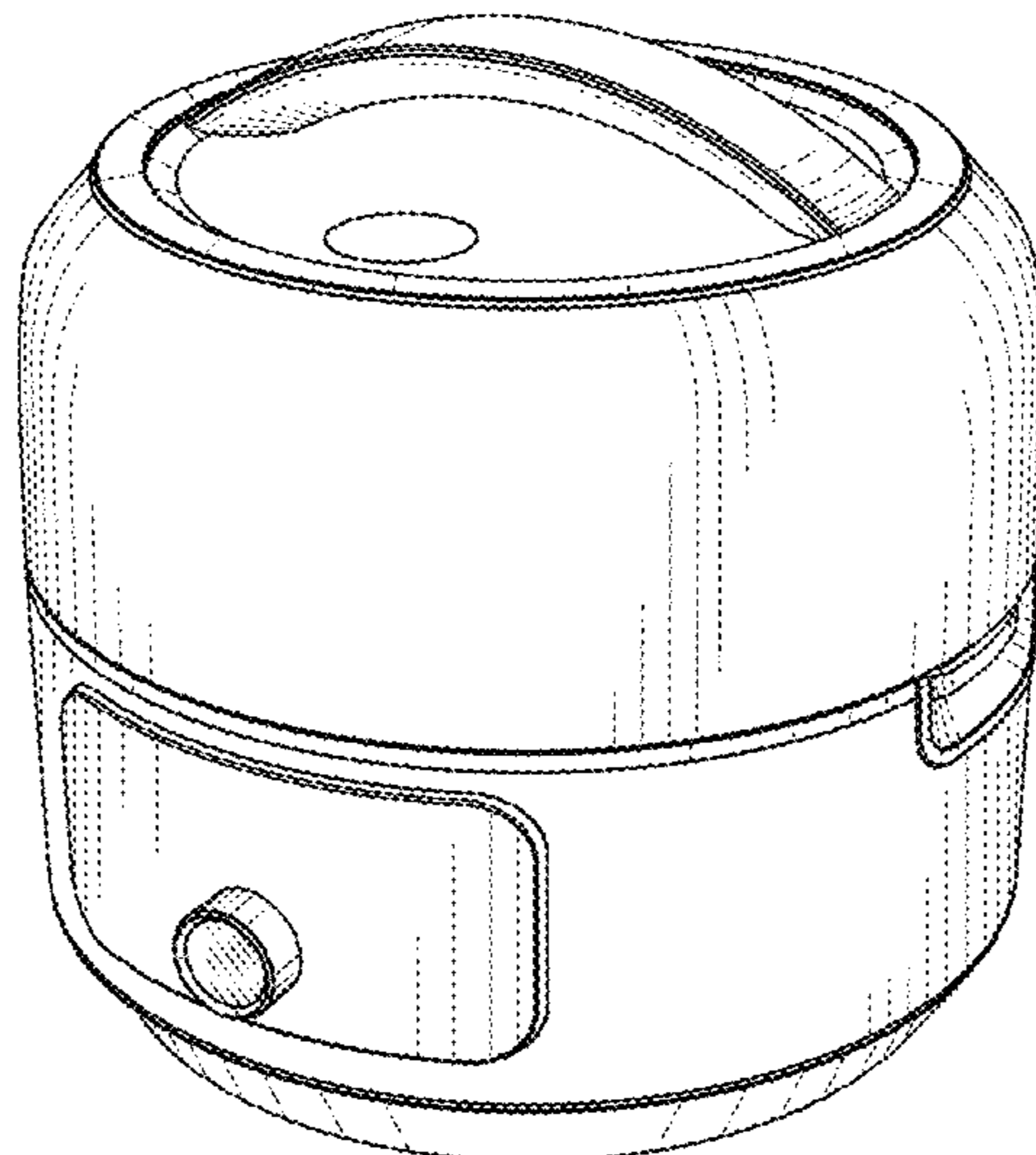
(57) **CLAIM**

The ornamental design for a multifunctional cooking pot, as shown and described.

DESCRIPTION

FIG. 1 is a front elevation view of a multifunctional cooking pot, showing our new design;
FIG. 2 is a back elevation view thereof.
FIG. 3 is a left side view thereof;
FIG. 4 is a right side view thereof;
FIG. 5 is a top plan view thereof;
FIG. 6 is a bottom plan view thereof; and,
FIG. 7 is a perspective view thereof.
The shade lines in the figures show contour and not surface ornamentation.

1 Claim, 7 Drawing Sheets



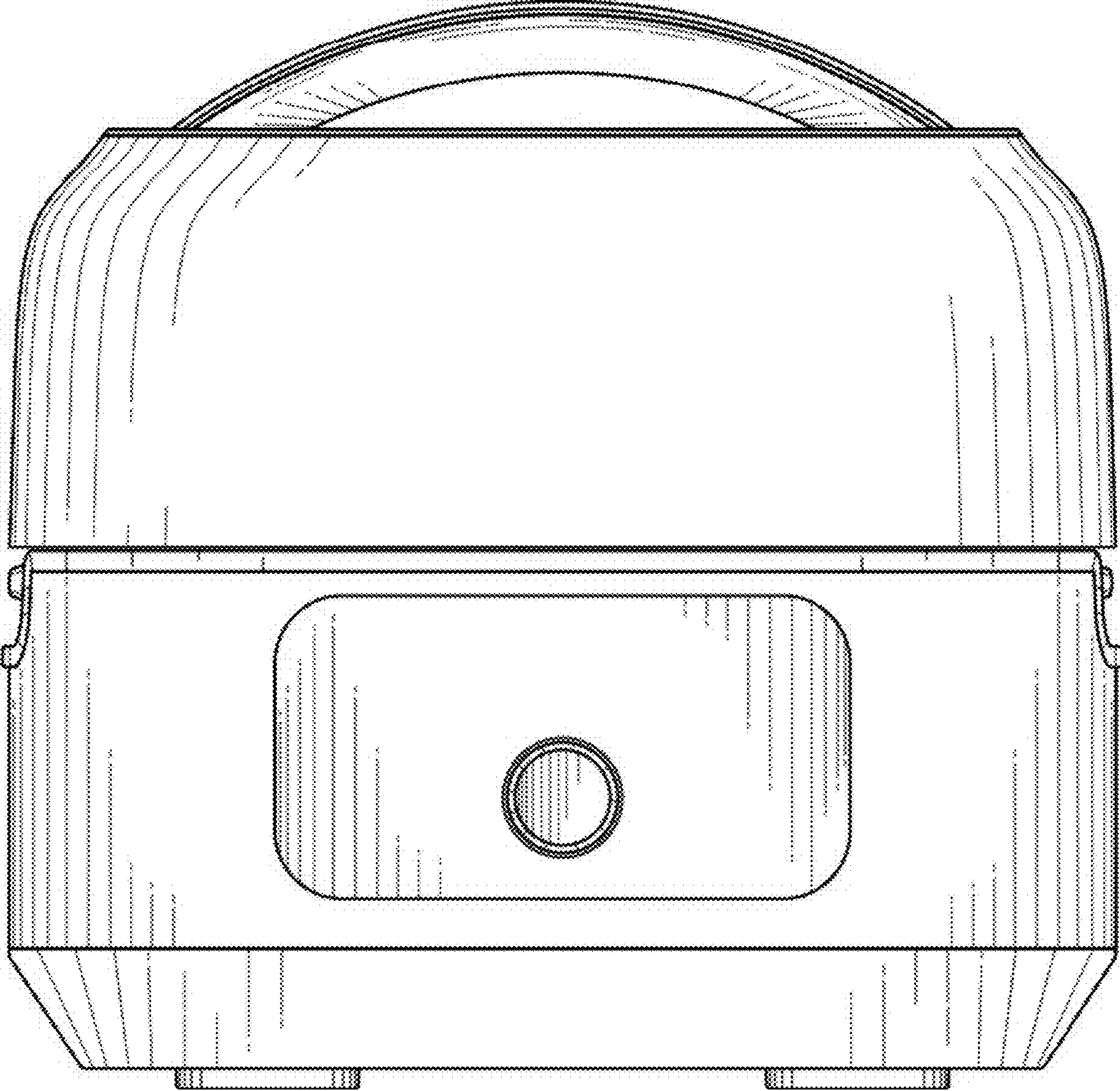


FIG. 1

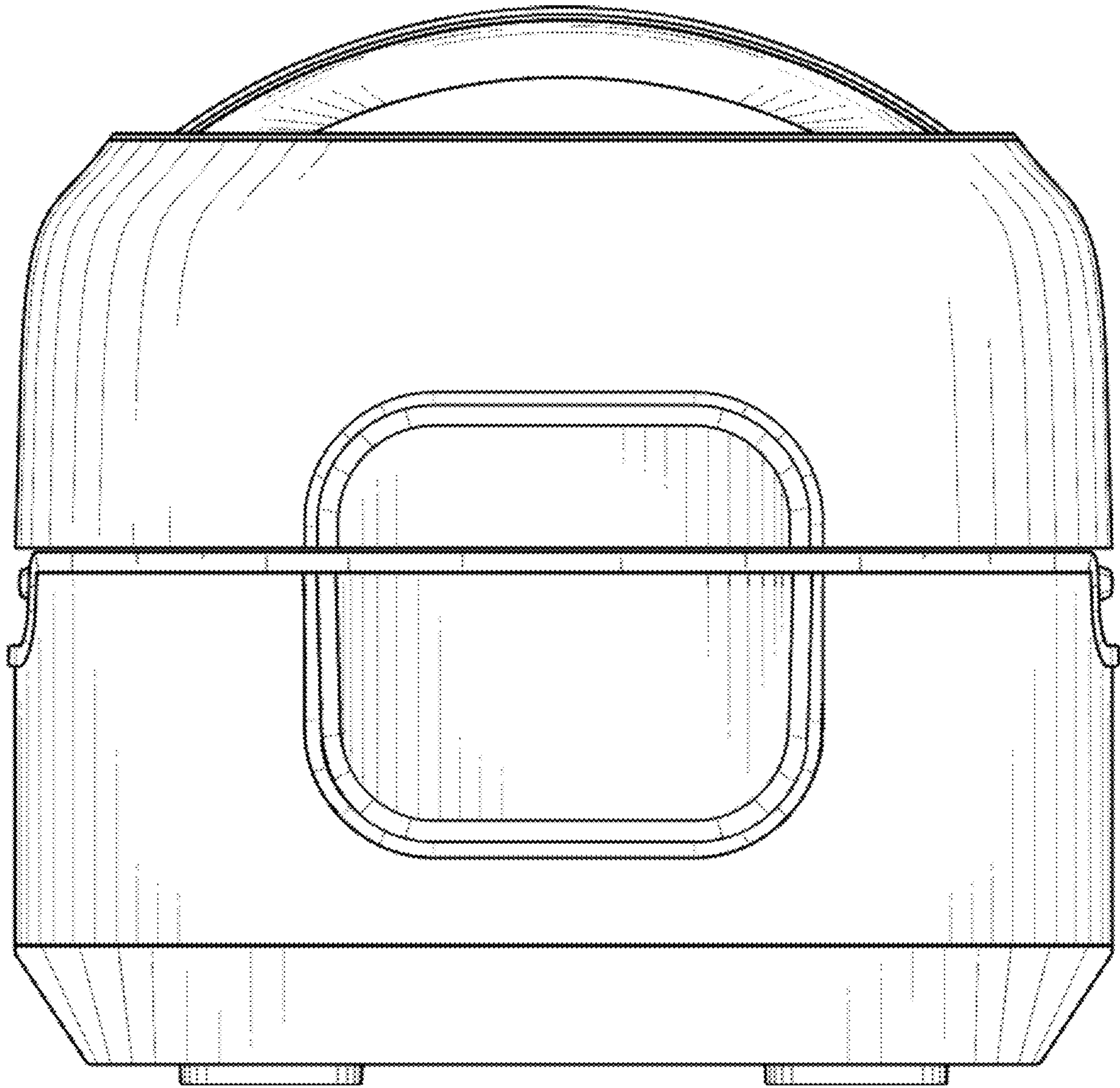


FIG. 2

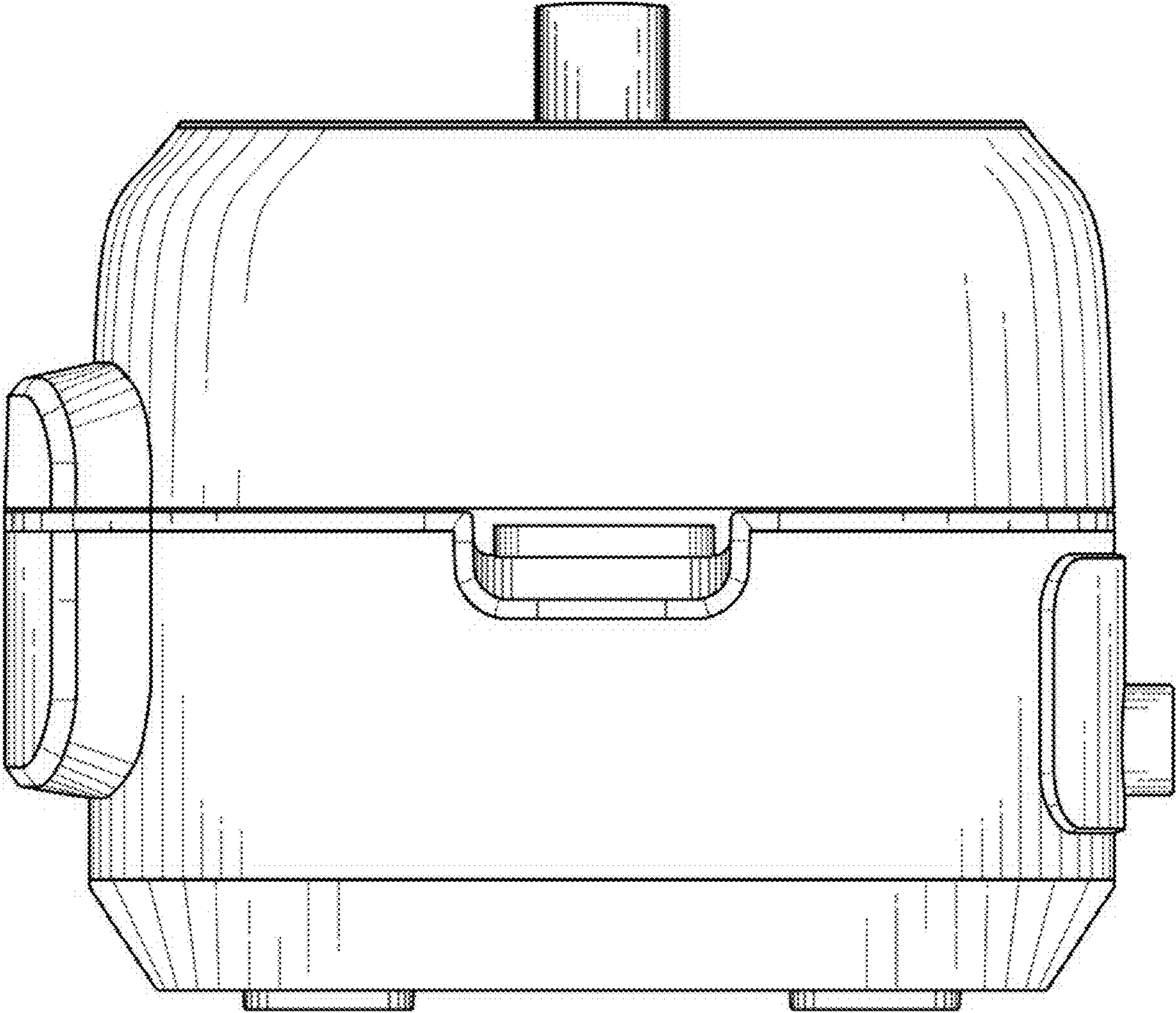


FIG. 3

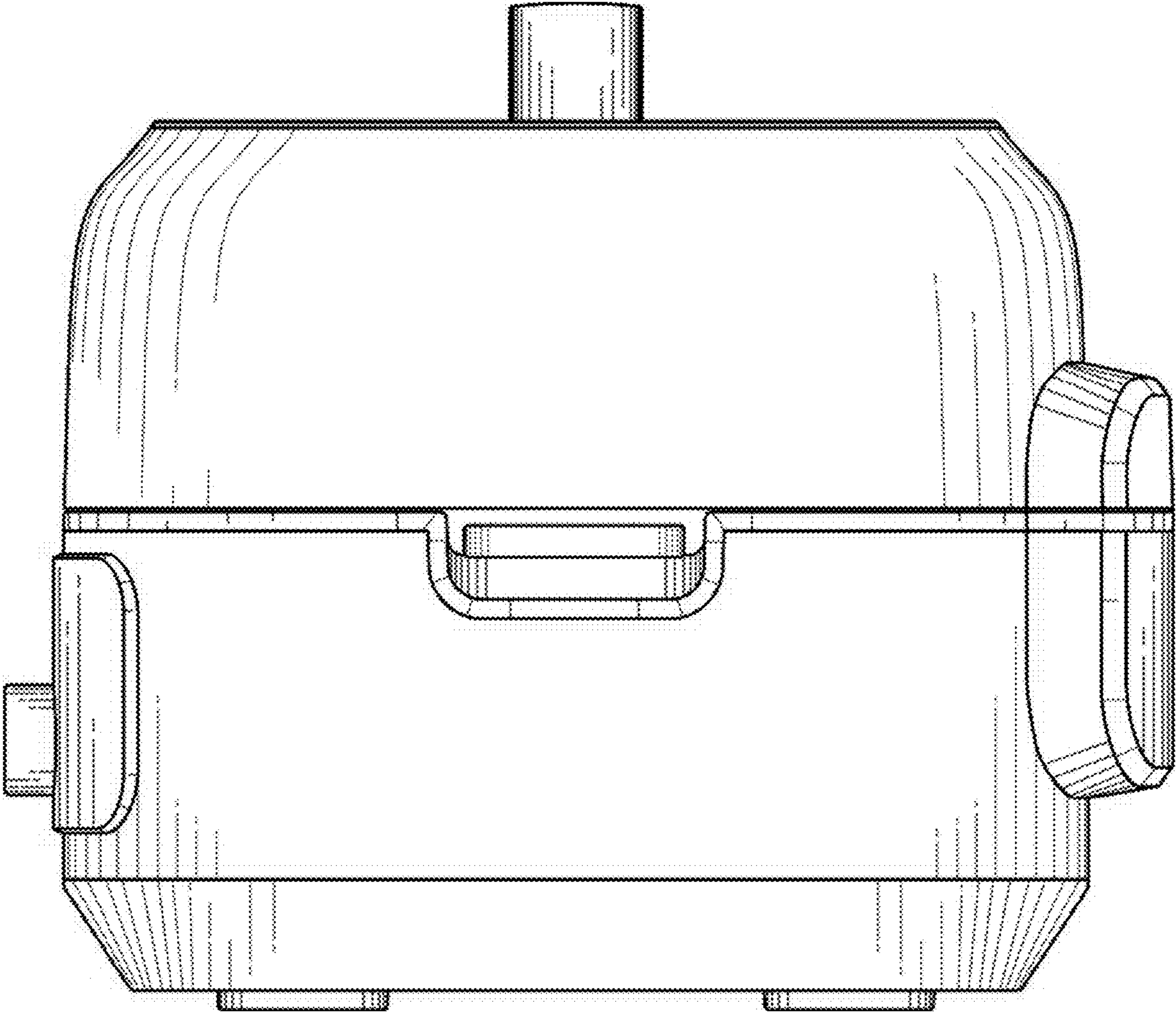


FIG. 4

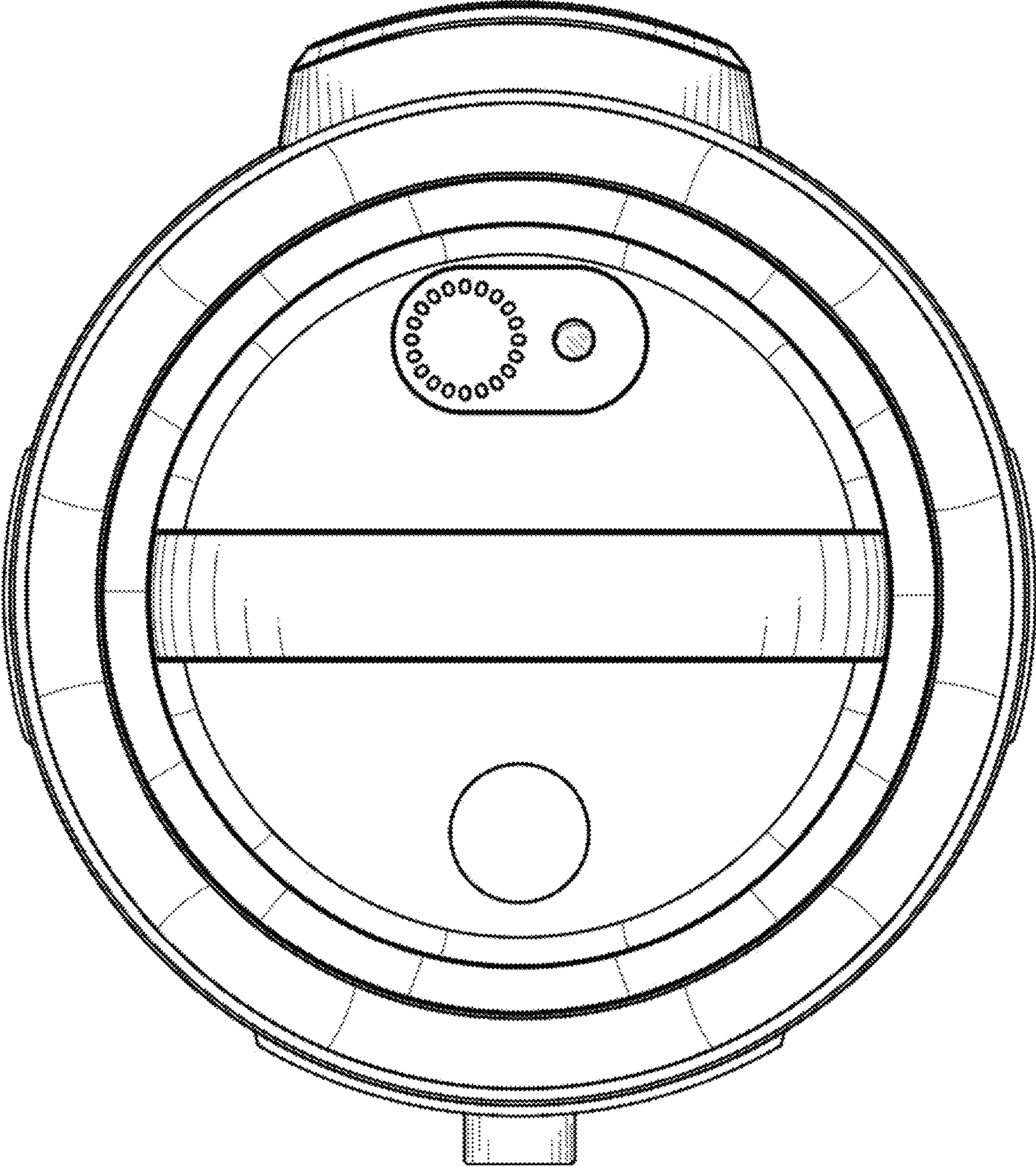


FIG. 5

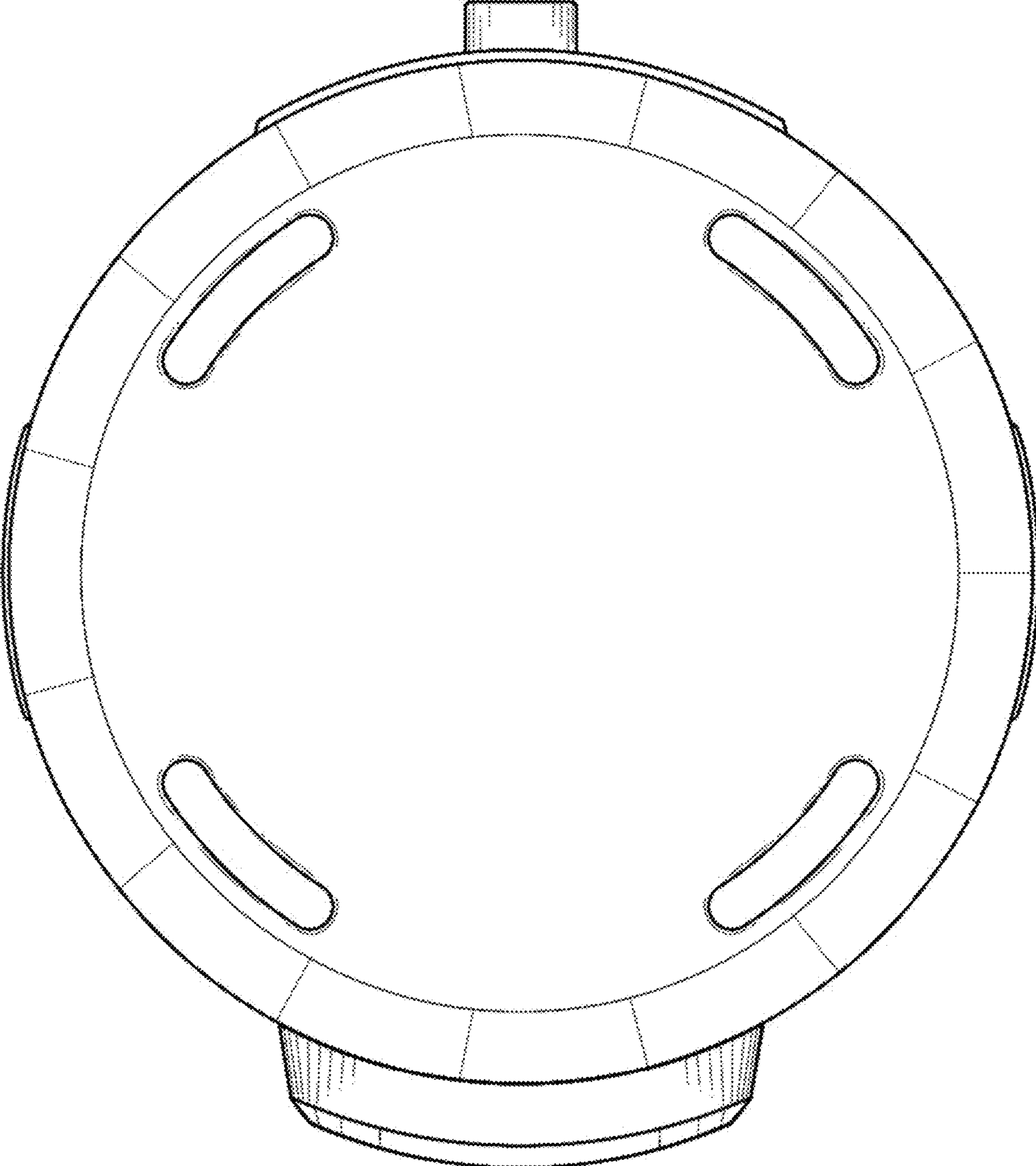


FIG. 6

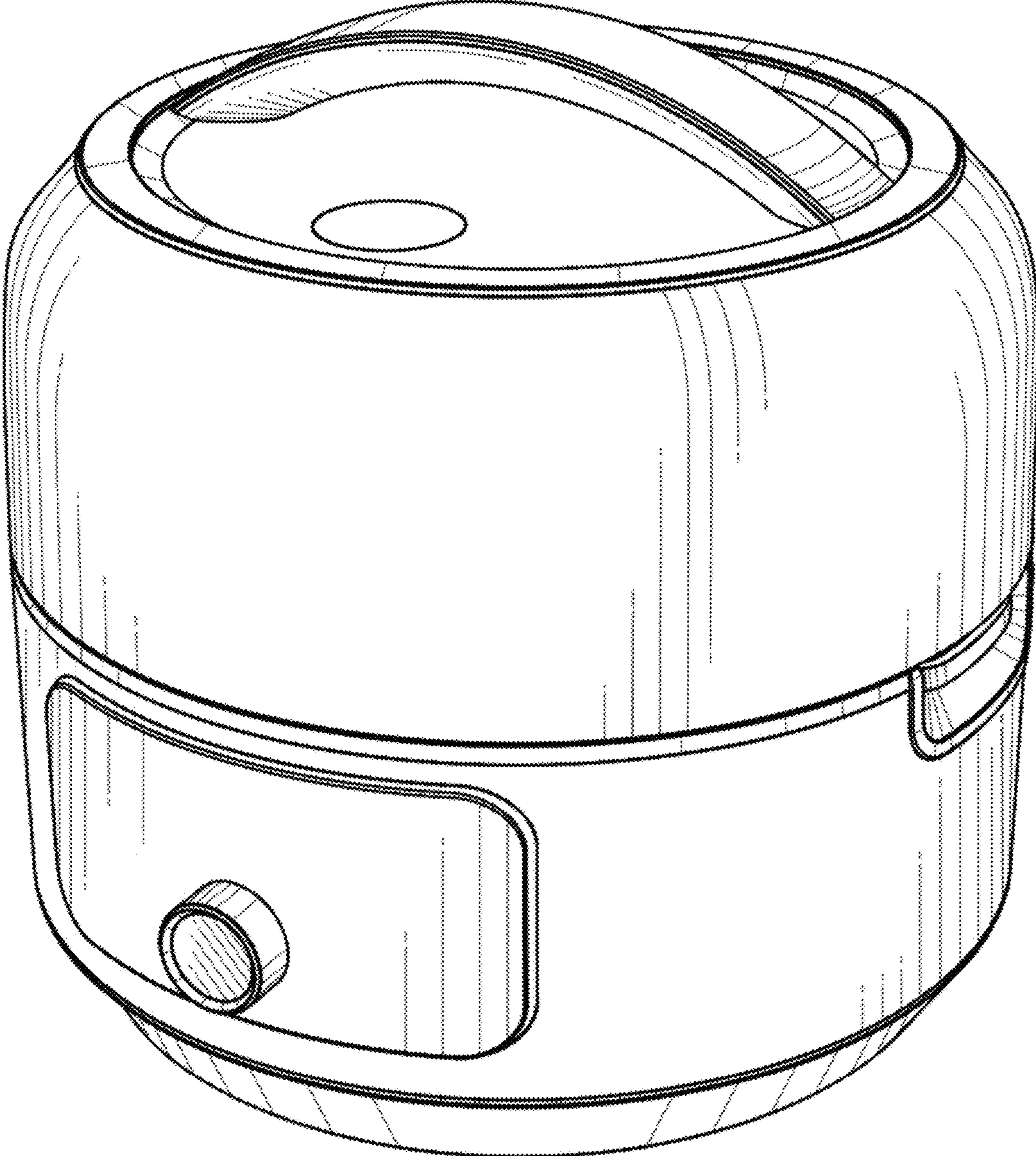


FIG. 7