



US00D985325S

(12) **United States Design Patent**  
**Ding et al.**

(10) **Patent No.:** **US D985,325 S**

(45) **Date of Patent:** **\*\* May 9, 2023**

(54) **MULTIFUNCTIONAL COOKING POT**

(71) Applicant: **FOSHAN SHUNDE MIDEA  
ELECTRICAL HEATING  
APPLIANCES MANUFACTURING  
CO., LTD., Foshan (CN)**

(72) Inventors: **Jie Ding, Foshan (CN); Huiming Wu,  
Foshan (CN); Yuxin Cao, Foshan (CN)**

(\*\*) Term: **15 Years**

(21) Appl. No.: **29/780,515**

(22) Filed: **Apr. 25, 2021**

(30) **Foreign Application Priority Data**

Oct. 29, 2020 (CN) ..... 202030650941.6

(51) **LOC (14) Cl.** ..... **07-02**

(52) **U.S. Cl.**  
USPC ..... **D7/354; D7/358**

(58) **Field of Classification Search**  
USPC ..... D7/323, 354-361, 391, 393, 406;  
D21/525; D24/217

CPC ..... A47J 27/00; A47J 27/004; A47J 27/08;  
A47J 27/0802; A47J 27/0804; A47J  
27/0811; A47J 27/0813; A47J 27/0815;  
A47J 27/0817; A47J 27/084; A47J 27/09;  
A47J 27/092; A47J 36/025; A47J 36/06;  
A47J 36/38; A47J 37/12; A47J 37/1204;  
A47J 37/1209; A47J 45/07; A47J 45/071;  
A47J 45/074; A47J 45/08; B01D  
2201/345; B01J 3/03; B01J 3/04; F01P  
2011/0247; F01P 2011/0252; H05B 6/00;  
H05B 6/02; H05B 6/06

See application file for complete search history.

(56) **References Cited**

**U.S. PATENT DOCUMENTS**

D380,504 S \* 7/1997 Yang ..... D7/354  
D686,743 S \* 7/2013 Gooch ..... D24/217

D704,500 S \* 5/2014 Kim ..... D7/354  
D711,679 S \* 8/2014 Day ..... D7/354  
D756,159 S \* 5/2016 Chang ..... D7/354  
D850,185 S \* 6/2019 Terao ..... D7/354  
D854,875 S \* 7/2019 Tan ..... D7/354  
D900,529 S \* 11/2020 You ..... D7/358  
D918,644 S \* 5/2021 Li ..... D7/354  
D919,352 S \* 5/2021 Li ..... D7/354  
D931,034 S \* 9/2021 Fung ..... D7/358  
D932,117 S \* 9/2021 Xiao ..... D32/1  
D963,397 S \* 9/2022 Tan ..... D7/358

**OTHER PUBLICATIONS**

Kuchepro Non-stick Electric Grill. Date First Available on Amazon.com Apr. 14, 2021. <https://www.amazon.com/Non-stick-Multi-function-Removable-Stainless-Stir-fried/dp/B091273XVP/ref> (Year: 2021).\*

\* cited by examiner

*Primary Examiner* — Ricky Pham

(74) *Attorney, Agent, or Firm* — Kilpatrick Townsend & Stockton, LLP

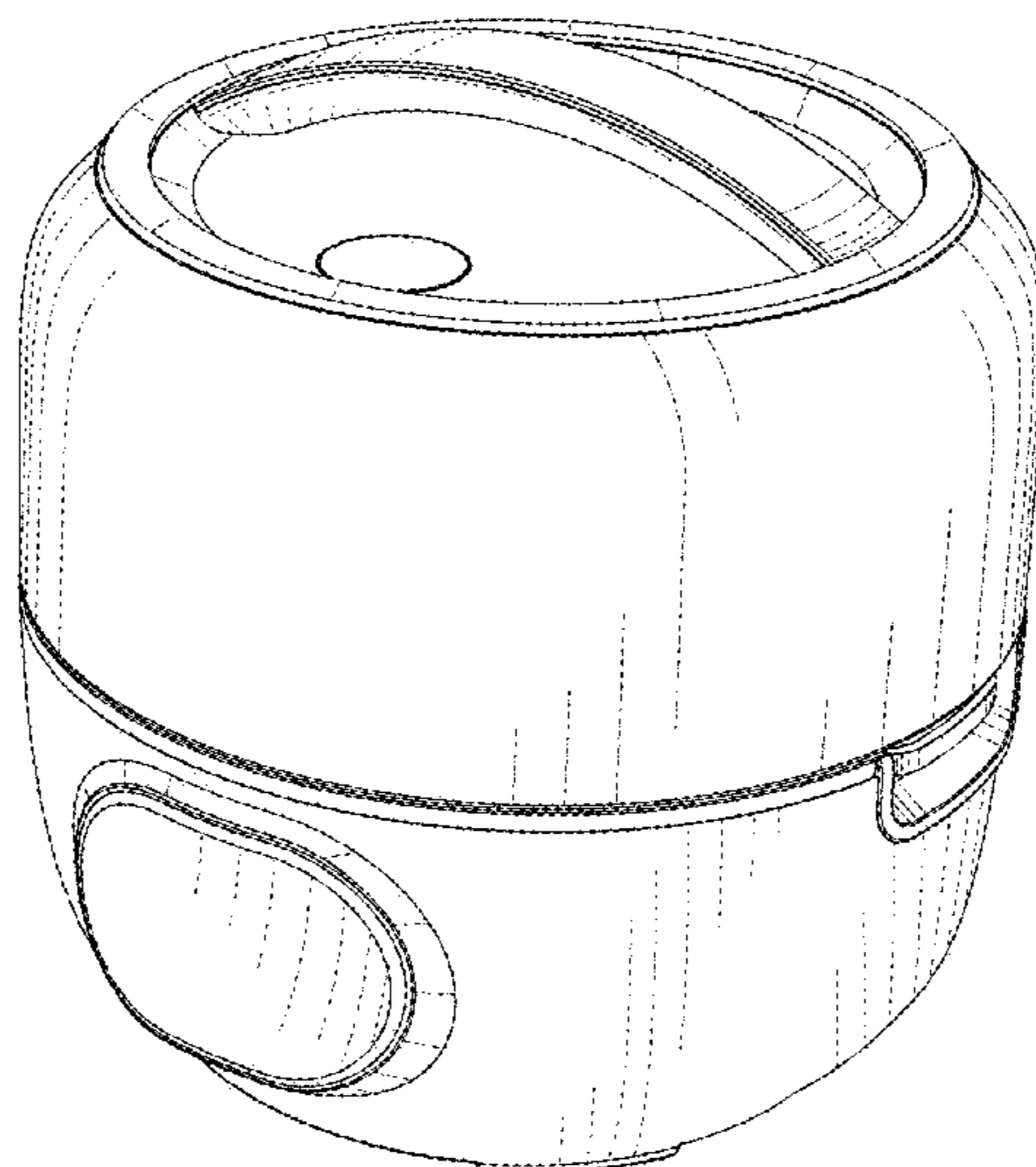
(57) **CLAIM**

The ornamental design for a multifunctional cooking pot, as shown and described.

**DESCRIPTION**

FIG. 1 is a front elevation view of a multifunctional cooking pot, showing our new design;  
FIG. 2 is a back elevation view thereof.  
FIG. 3 is a left side view thereof;  
FIG. 4 is a right side view thereof;  
FIG. 5 is a top plan view thereof;  
FIG. 6 is a bottom plan view thereof; and,  
FIG. 7 is a perspective view thereof.  
The shade lines in the figures show contour and not surface ornamentation.

**1 Claim, 7 Drawing Sheets**



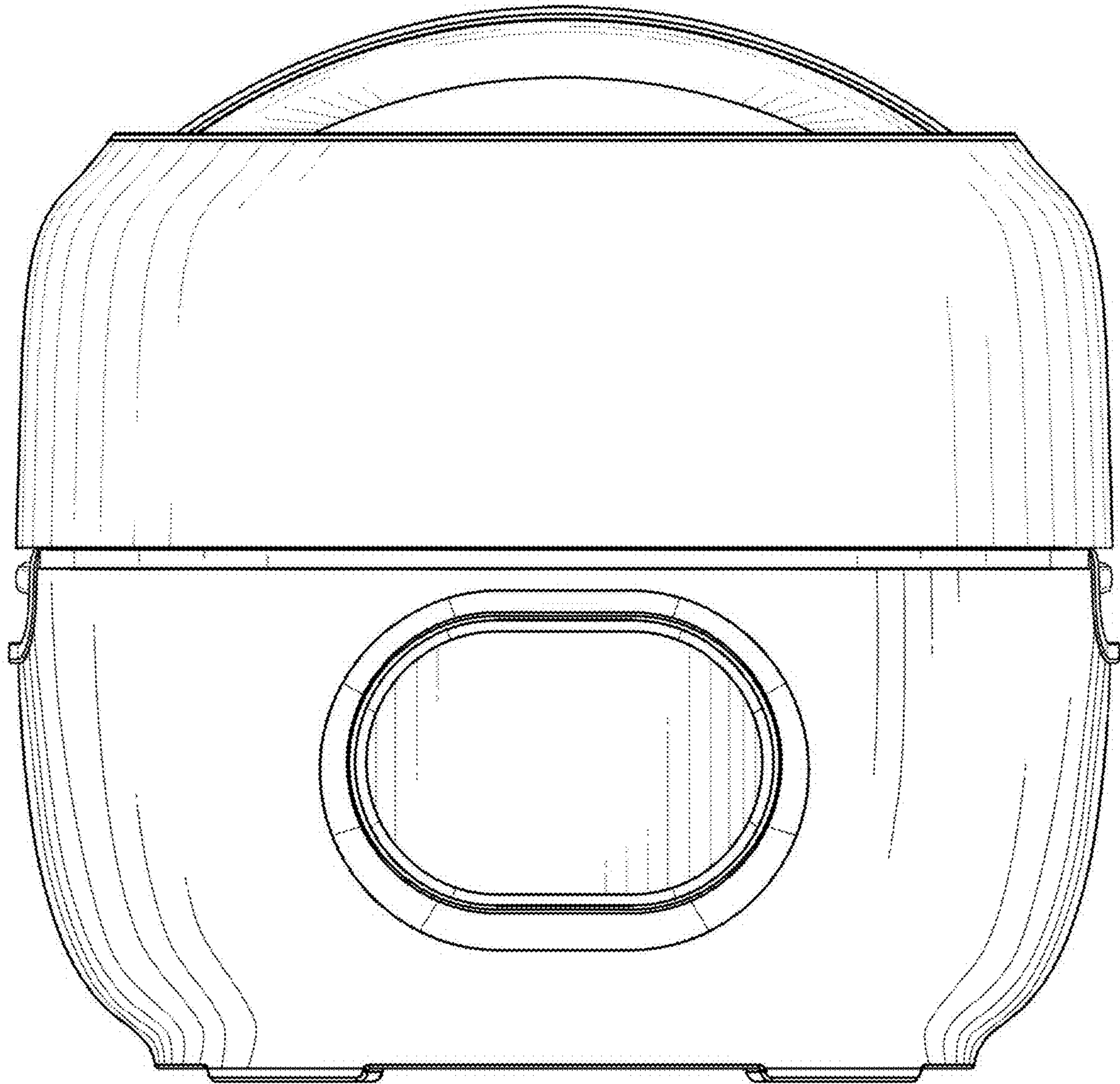


FIG. 1

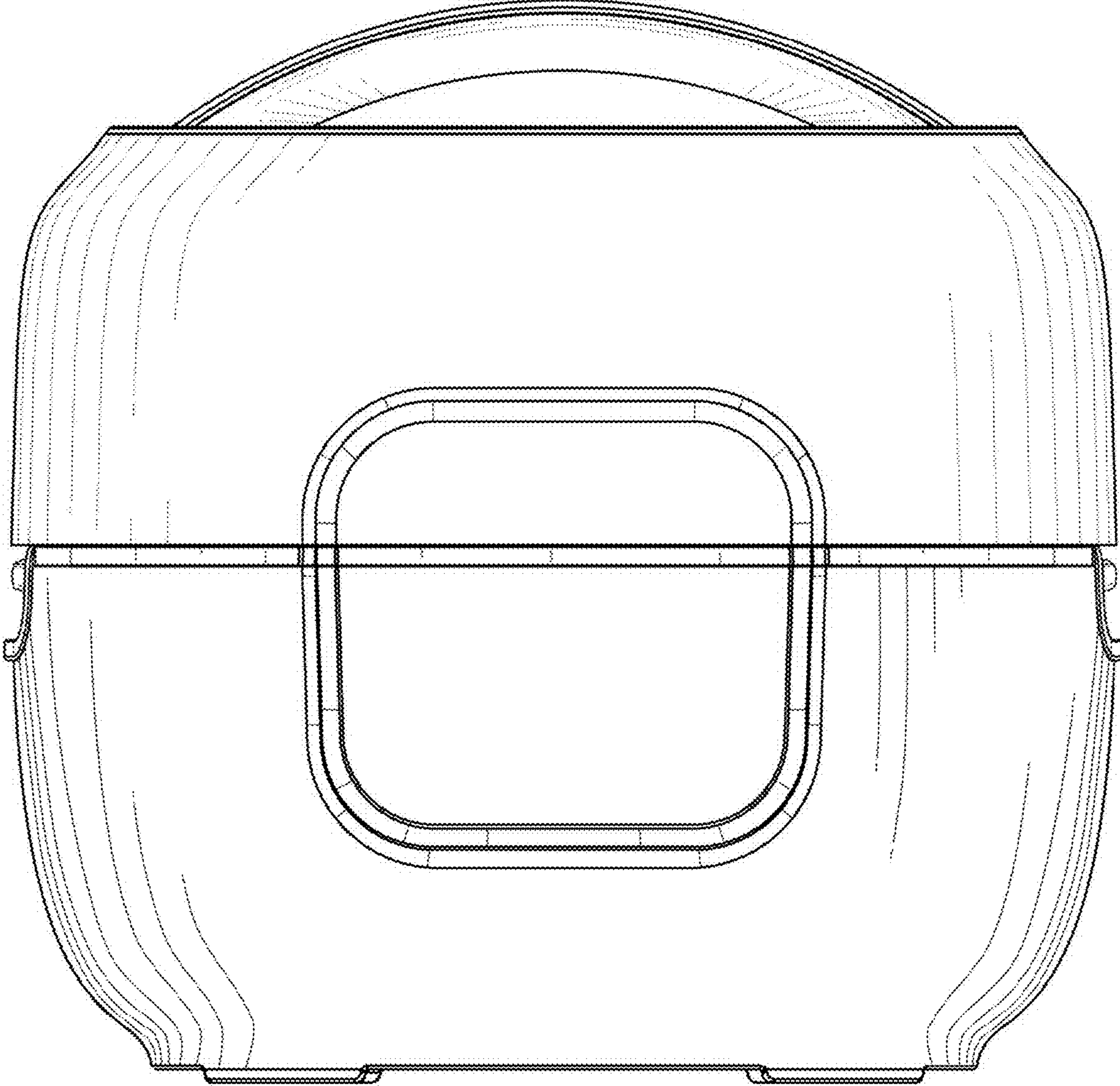


FIG. 2



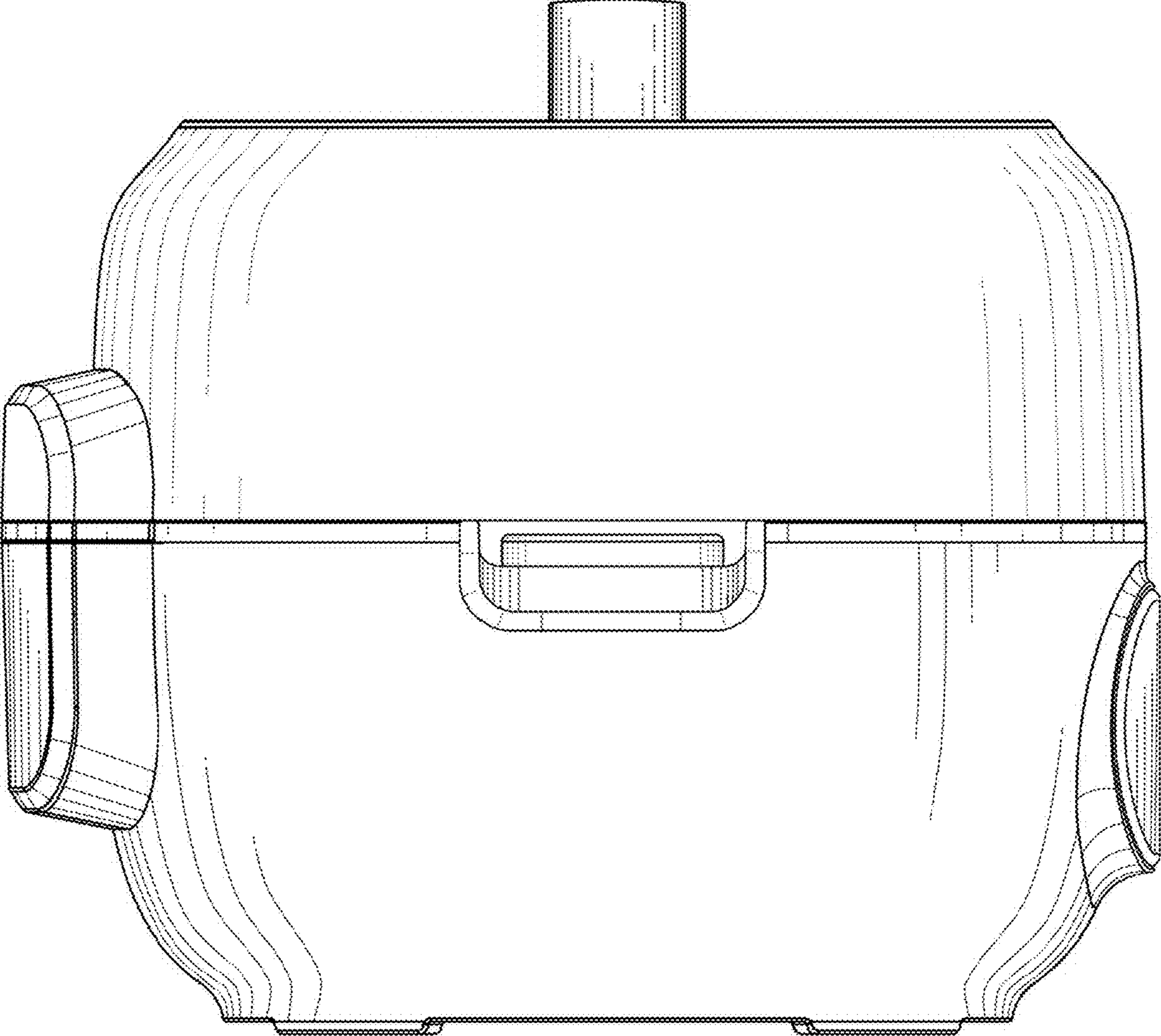


FIG. 3

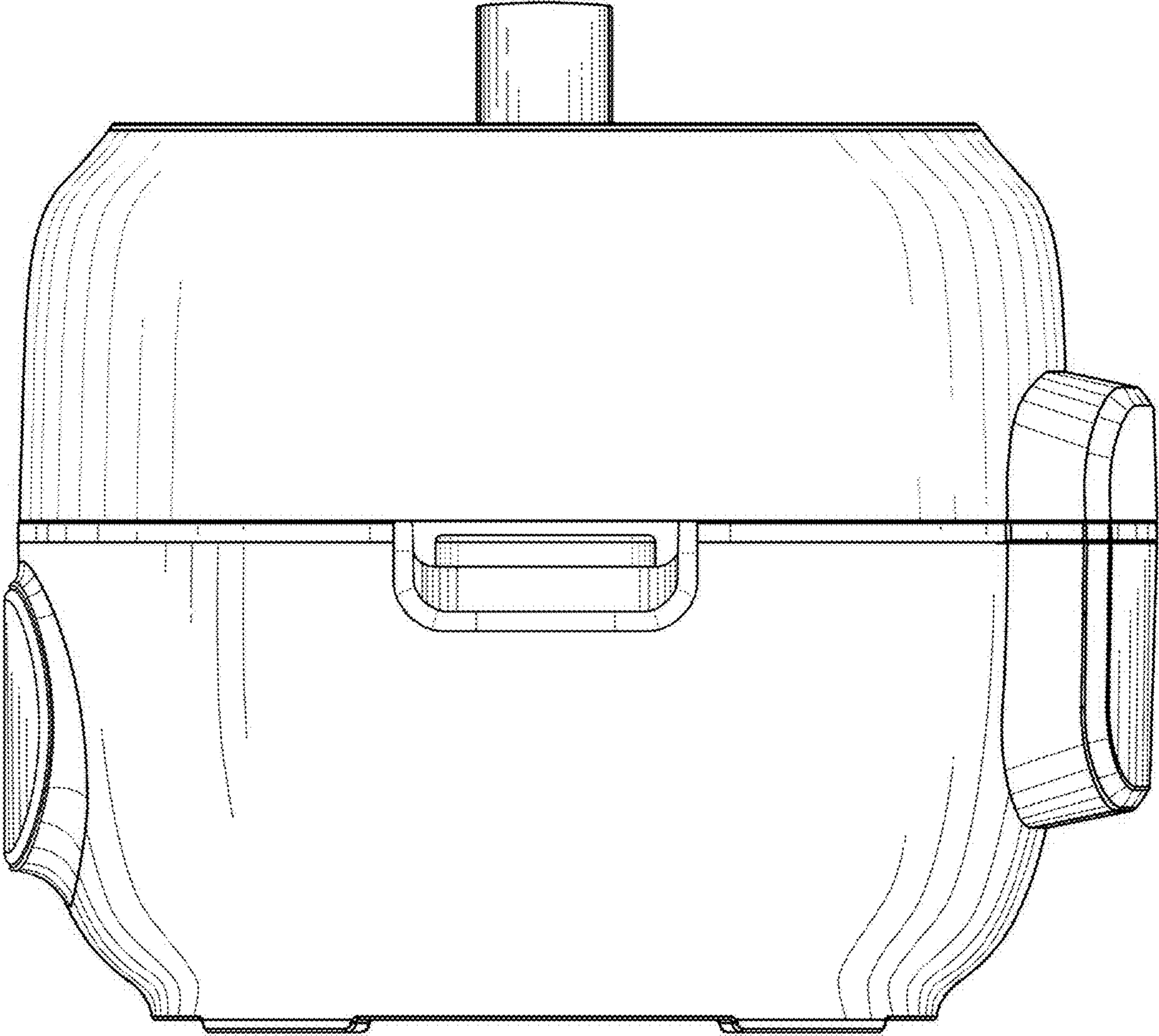


FIG. 4

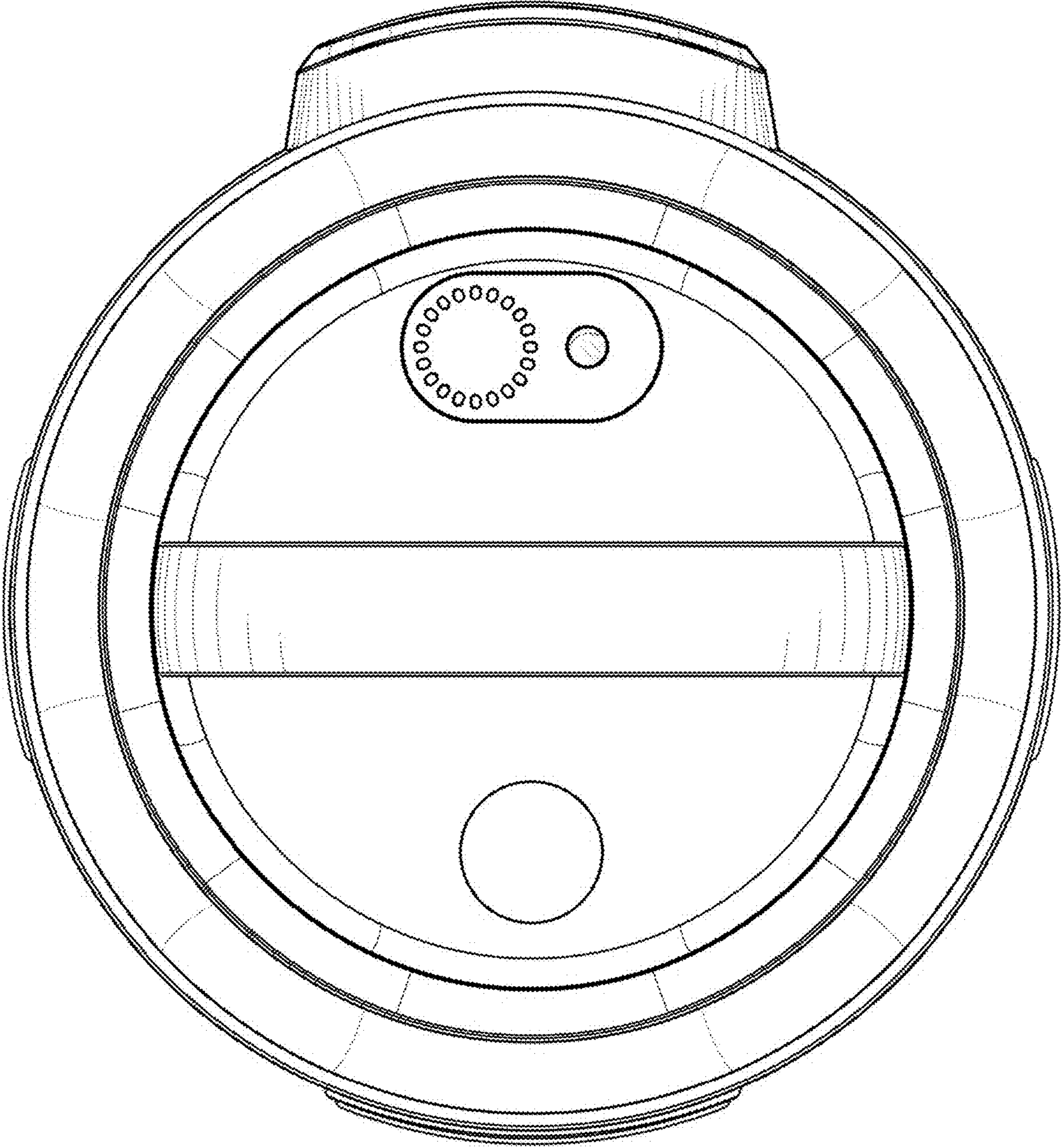


FIG. 5



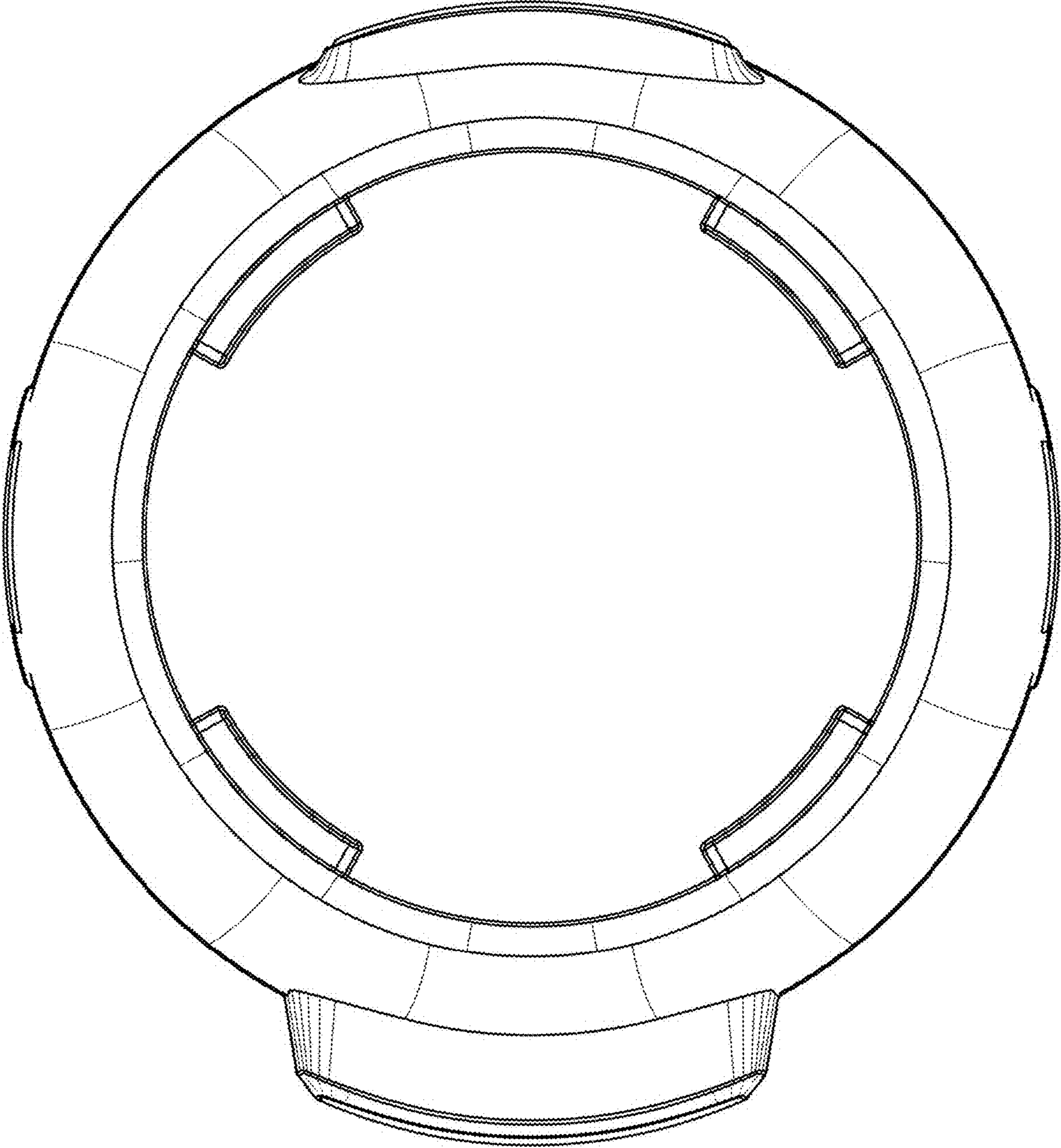


FIG. 6

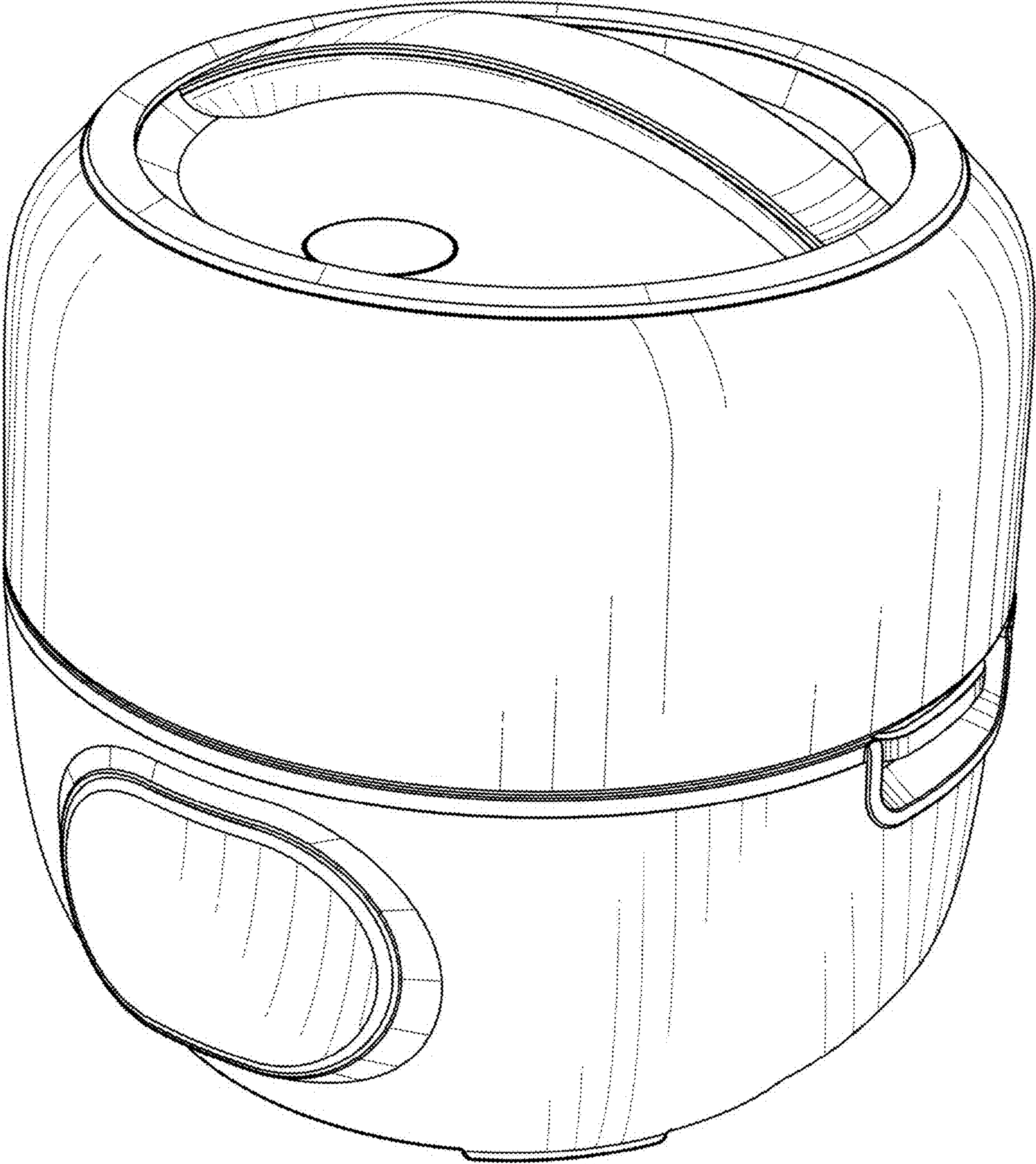


FIG. 7