



US00D985322S

(12) **United States Design Patent** (10) **Patent No.:** **US D985,322 S**  
**Garcia** (45) **Date of Patent:** **\*\* May 9, 2023**

(54) **BED ASSISTANCE DEVICE**

FOREIGN PATENT DOCUMENTS

(71) Applicant: **Mario R. Garcia**, Riverside, CA (US)

DE 202013003315 U1 4/2013  
WO 2016068335 A1 5/2016

(72) Inventor: **Mario R. Garcia**, Riverside, CA (US)

(\*\*) Term: **15 Years**

OTHER PUBLICATIONS

(21) Appl. No.: **29/881,164**

Happybuy Step Handrail, retrieved from amazon.ca, posting date Sep. 17, 2020, online, retrieved Mar. 6, 2023, URL:https://www.amazon.ca/Happybuy-Handrail-Aluminum-Material-Installation/dp/B084ZMT6C6/ref=sr\_1\_99\_sspa?crid=1K95FYWZT11VK&keywords=h...1(Year: 2020).\*

(22) Filed: **Dec. 28, 2022**

(51) **LOC (14) Cl.** ..... **06-06**

(52) **U.S. Cl.**

USPC ..... **D6/718.3**

(58) **Field of Classification Search**

USPC ..... D6/382-385, 390, 391, 392, 718, 718.3

CPC ..... A61G 7/00; A61G 7/005; A61G 7/015;

A61G 7/0506; A61G 7/0507; A61G

7/0513; A47C 21/08; A47C 19/005;

A47D 7/02; A47D 15/008

See application file for complete search history.

(Continued)

*Primary Examiner* — Mary Shannon Malley

*Assistant Examiner* — Michelle Marquart Christeon

(74) *Attorney, Agent, or Firm* — Christopher Mayle; Bold IP, PLLC

(57) **CLAIM**

The ornamental design for a bed assistance device, as shown and described.

(56) **References Cited**

U.S. PATENT DOCUMENTS

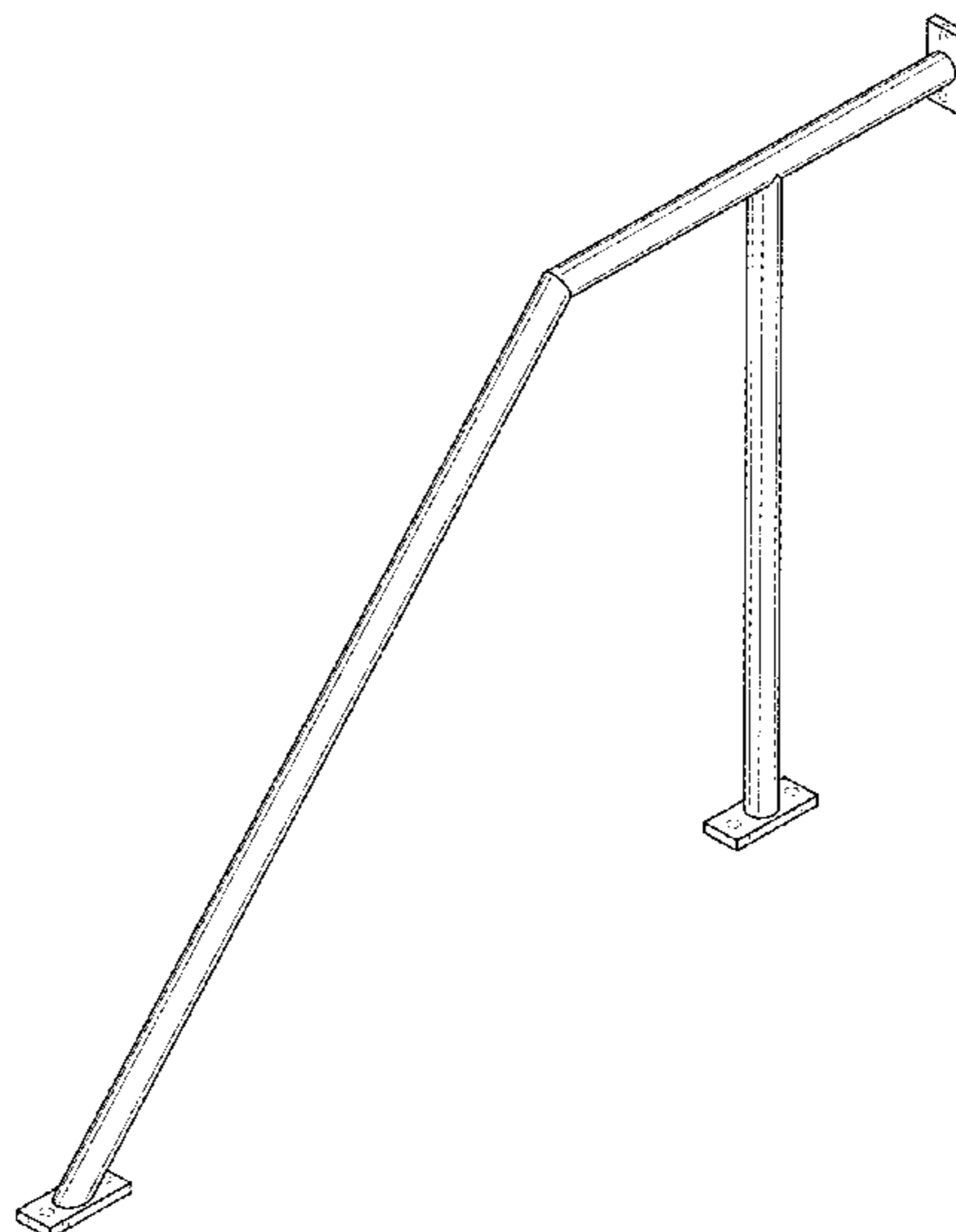
3,286,283	A	11/1966	Bertoldo	
5,384,927	A	1/1995	Mardero et al.	
5,435,028	A	7/1995	Frala	
5,471,689	A	12/1995	Shaw et al.	
5,832,549	A	11/1998	Le Pallec et al.	
D449,895	S *	10/2001	Wilson	D25/63
6,425,572	B1 *	7/2002	Lehr	B60R 3/02 182/127
6,813,789	B2	11/2004	Leotsakos	
D509,905	S *	9/2005	Baker	D25/38.1
6,961,972	B2	11/2005	Pendell	
D657,888	S *	4/2012	Darby	D25/38.1
8,240,710	B1 *	8/2012	Rawls	B60R 3/005 182/113
8,499,507	B1 *	8/2013	Saccoccio	E04H 4/144 52/182
D701,069	S	3/2014	Miller	
D706,451	S *	6/2014	Laitta	E04F 11/181 D25/41.1

(Continued)

**DESCRIPTION**

FIG. 1 is a perspective view of the bed assistance device in accordance with the present invention; FIG. 2 is a right side view thereof; FIG. 3 is a left side view thereof; FIG. 4 is a top view thereof; FIG. 5 is a bottom view thereof; FIG. 6 is a front view thereof; FIG. 7 is a rear view thereof; and, FIG. 8 is another side perspective view where the bed assistance device is connected to a bed. The broken lines in FIG. 8 showing a bed, depict environmental subject matter that forms no part of the claimed design. The remaining broken lines depict portions of the bed assistance device and form no part of the claimed design.

**1 Claim, 4 Drawing Sheets**



(56)

**References Cited**

U.S. PATENT DOCUMENTS

D708,467 S \* 7/2014 Zakel ..... D6/718.3  
D932,652 S \* 10/2021 Eberl ..... D25/38.1  
11,229,566 B2 1/2022 Lam et al.  
11,369,533 B2 6/2022 Kousik et al.  
D973,907 S \* 12/2022 Zhang ..... D25/41.1  
2005/0180127 A1 \* 8/2005 St-Hilaire ..... E04H 4/148  
362/101  
2006/0130238 A1 6/2006 Smith  
2007/0130682 A1 \* 6/2007 Farrow ..... A47K 17/024  
4/576.1  
2007/0151032 A1 7/2007 Heavrin

OTHER PUBLICATIONS

HealthCraft Products Superpole, retrieved from amazon.ca, posting date Jan. 10, 2018, online, retrieved Mar. 6, 2023, URL:[https://www.amazon.ca/HealthCraft-Products-SuperPole-Floor-Ceiling/dp/B078XJ12PQ/ref=sr\\_1\\_113?crid=16RL6NNOXSIW0&keywords=bed+assist+. . . 4/8\(Year: 2018\).\\*](https://www.amazon.ca/HealthCraft-Products-SuperPole-Floor-Ceiling/dp/B078XJ12PQ/ref=sr_1_113?crid=16RL6NNOXSIW0&keywords=bed+assist+. . . 4/8(Year: 2018).*)

\* cited by examiner

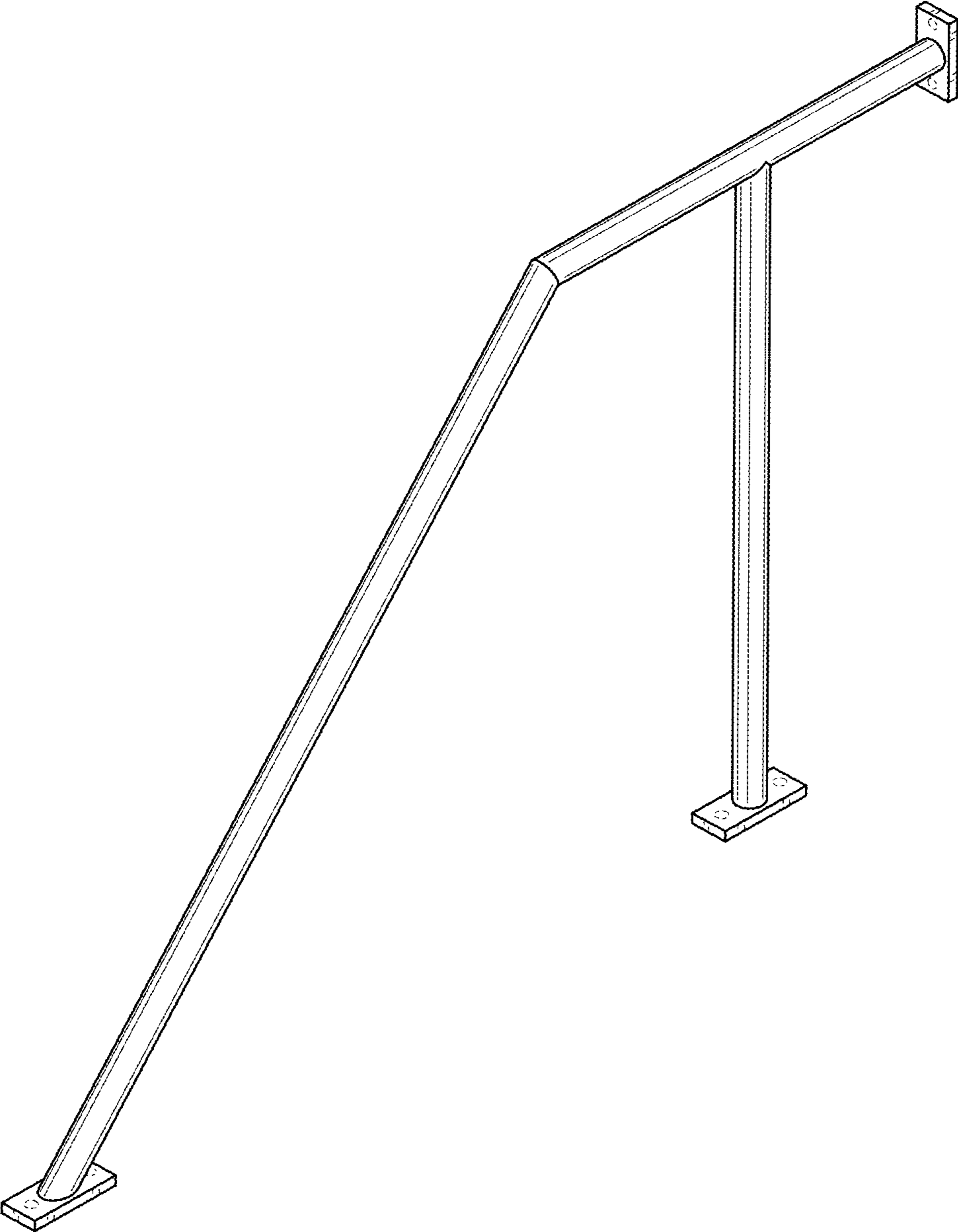


FIG. 1

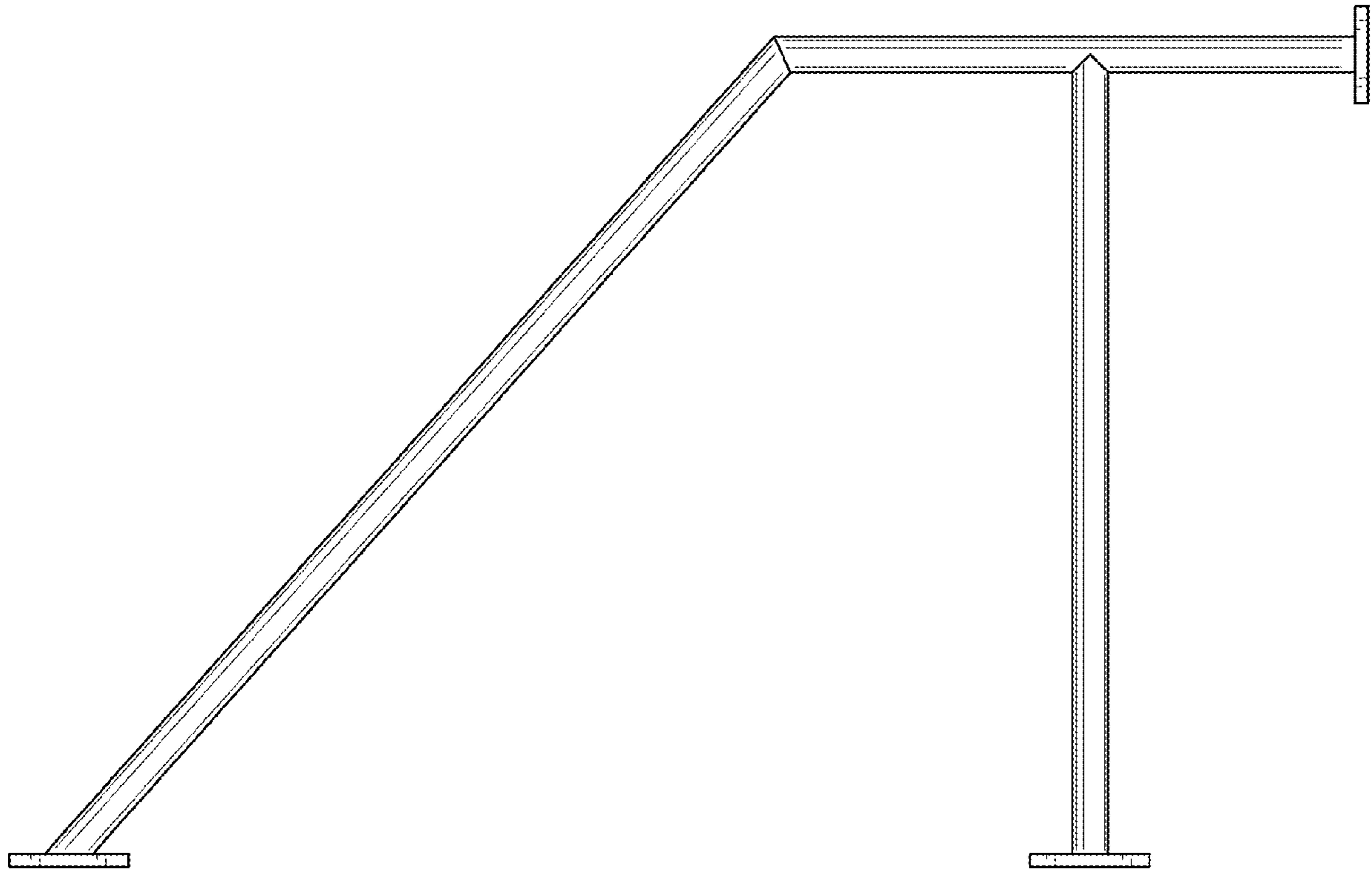


FIG. 2

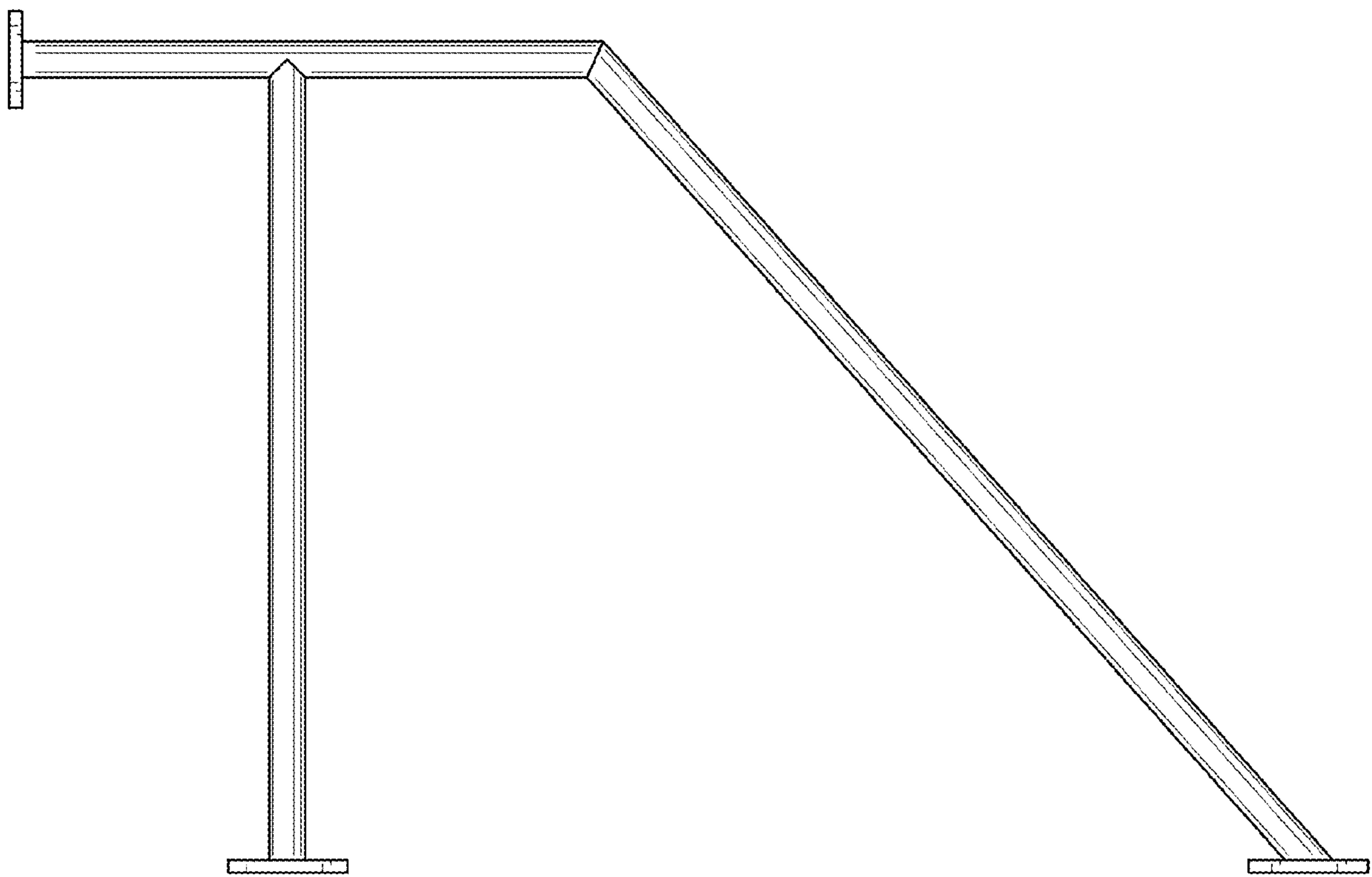


FIG. 3

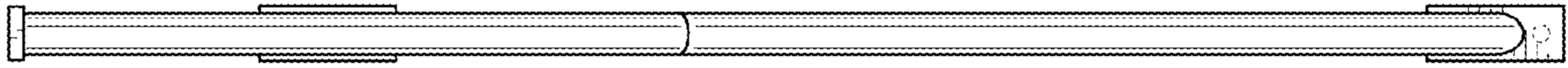


FIG. 4

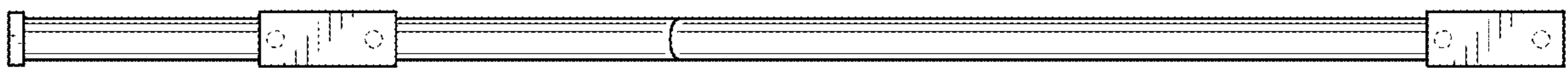


FIG. 5

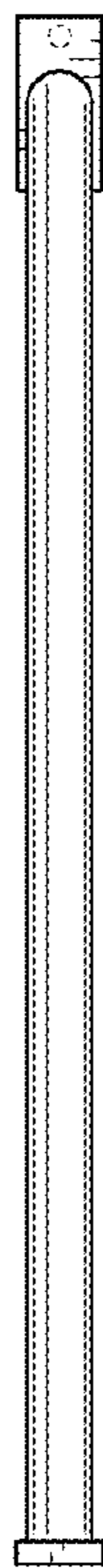


FIG. 6

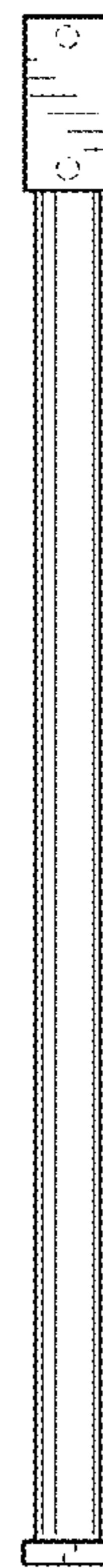


FIG. 7

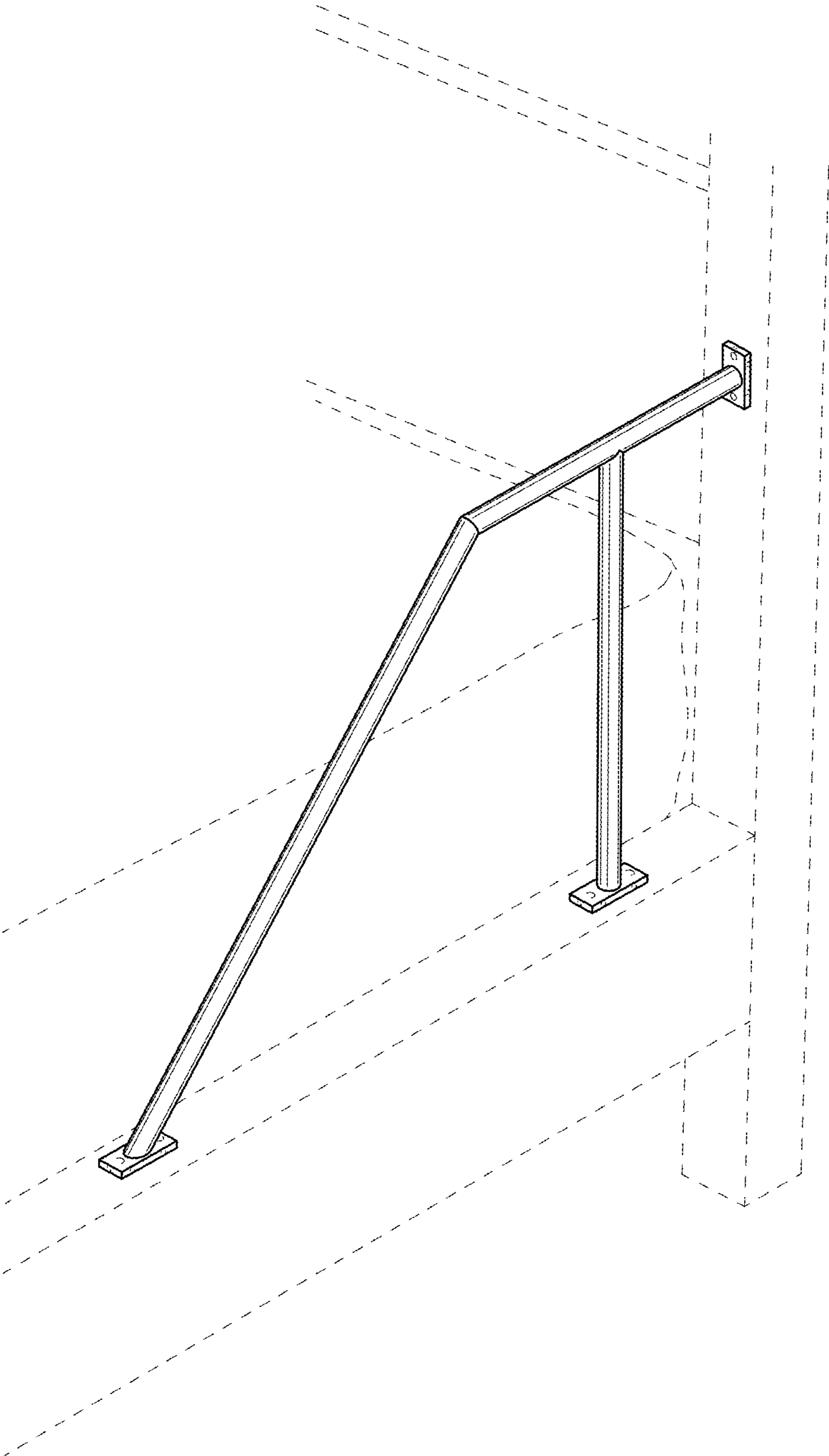


FIG. 8