



US00D985320S

(12) **United States Design Patent** (10) **Patent No.:** **US D985,320 S**
Yang (45) **Date of Patent:** **** May 9, 2023**

(54) **TABLE LEG**

(71) Applicant: **Huangji Yang**, Nanan (CN)

(72) Inventor: **Huangji Yang**, Nanan (CN)

(**) Term: **15 Years**

(21) Appl. No.: **29/815,038**

(22) Filed: **Nov. 10, 2021**

(51) **LOC (14) Cl.** **06-06**

(52) **U.S. Cl.**
USPC **D6/709**

(58) **Field of Classification Search**
USPC D6/702, 708, 708.16, 708.17, 708.22,
D6/708.23, 708.25, 709, 709.17, 709.18,
D6/709.2, 709.21, 709.22, 719
CPC . A47B 19/00; A47B 19/005; A47B 2200/002;
A47B 2200/0025; A47B 2200/0035
See application file for complete search history.

(56) **References Cited**

U.S. PATENT DOCUMENTS

D295,246 S *	4/1988	Massonnet	D6/709
D305,567 S *	1/1990	Scott	D25/67
D413,213 S *	8/1999	Paus	D6/719
D478,437 S *	8/2003	Wang	D6/709
D649,812 S *	12/2011	Martin	D6/709
D651,432 S *	1/2012	Davis	D6/708
D830,748 S *	10/2018	Lin	D6/648

OTHER PUBLICATIONS

Bloo Basket Legs for Table—Amazon <https://www.amazon.in/BLOO-BASKET-Coffee-Center-Industrial/dp/B09Q1ZQ2GY> retrieved from the internet on Mar. 14, 2023.*

Eviqe Store® Metal Table Legs—Amazon <https://www.amazon.in/Eviqe-Store%C2%AE-Metal-Dining-Industrial/dp/B0B88PTFJM> retrieved from the internet on Mar. 14, 2023.*

* cited by examiner

Primary Examiner — Mary Ann Calabrese

(74) *Attorney, Agent, or Firm* — True Shepherd, LLC;
Andrew Cheng

(57) **CLAIM**

The ornamental design for a table leg, as shown and described.

DESCRIPTION

FIG. 1 is a front, right and top perspective view of a table leg, showing my design.

FIG. 2 is a rear, left and bottom perspective view thereof.

FIG. 3 is a front elevation view thereof.

FIG. 4 is a rear elevation view thereof.

FIG. 5 is a left side elevation view thereof.

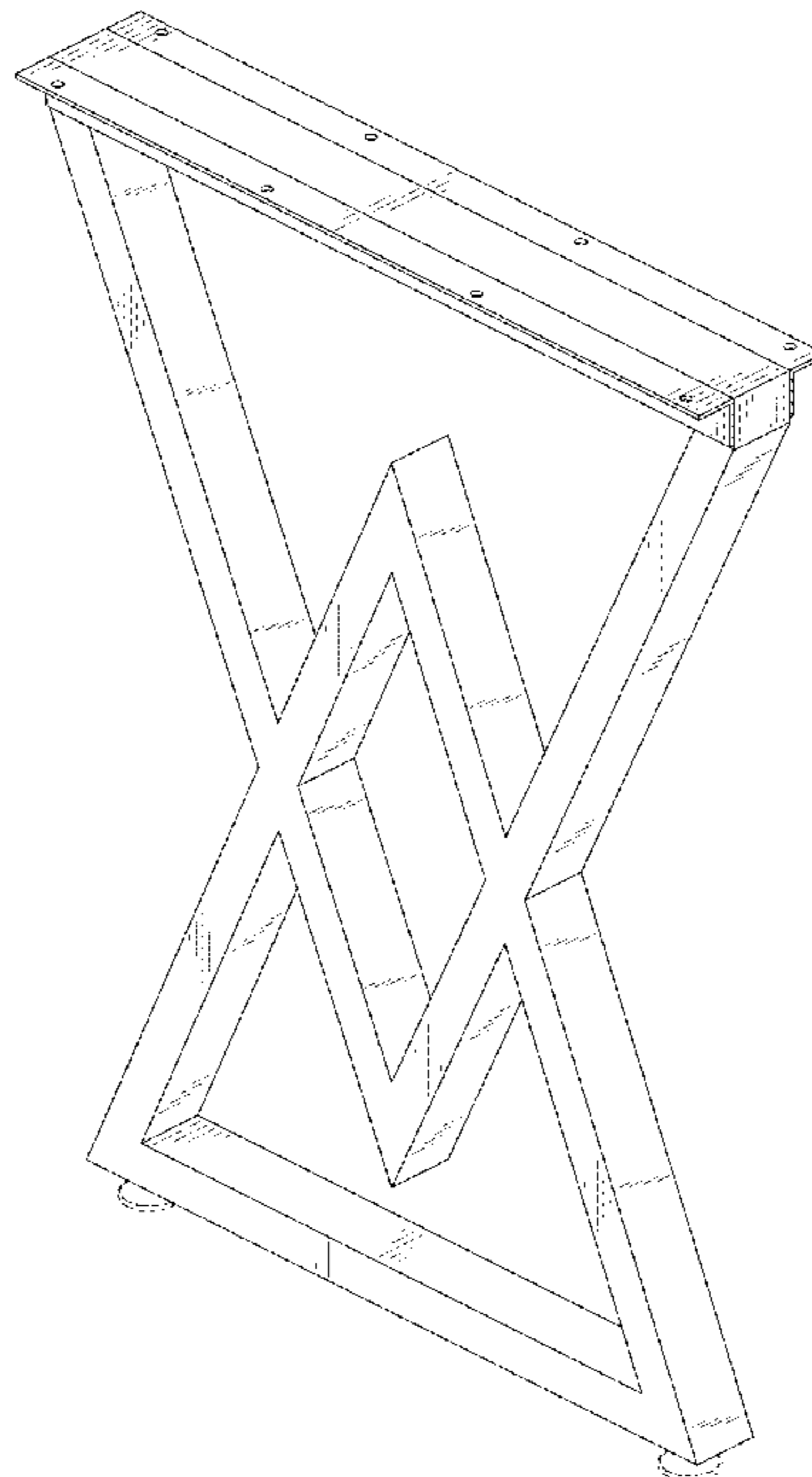
FIG. 6 is a right side elevation view thereof.

FIG. 7 is a top plan view thereof; and,

FIG. 8 is a bottom plan view thereof.

The broken lines shown in the drawings are included for the purpose of illustrating portions of the table leg that form no part of the claimed design.

1 Claim, 8 Drawing Sheets



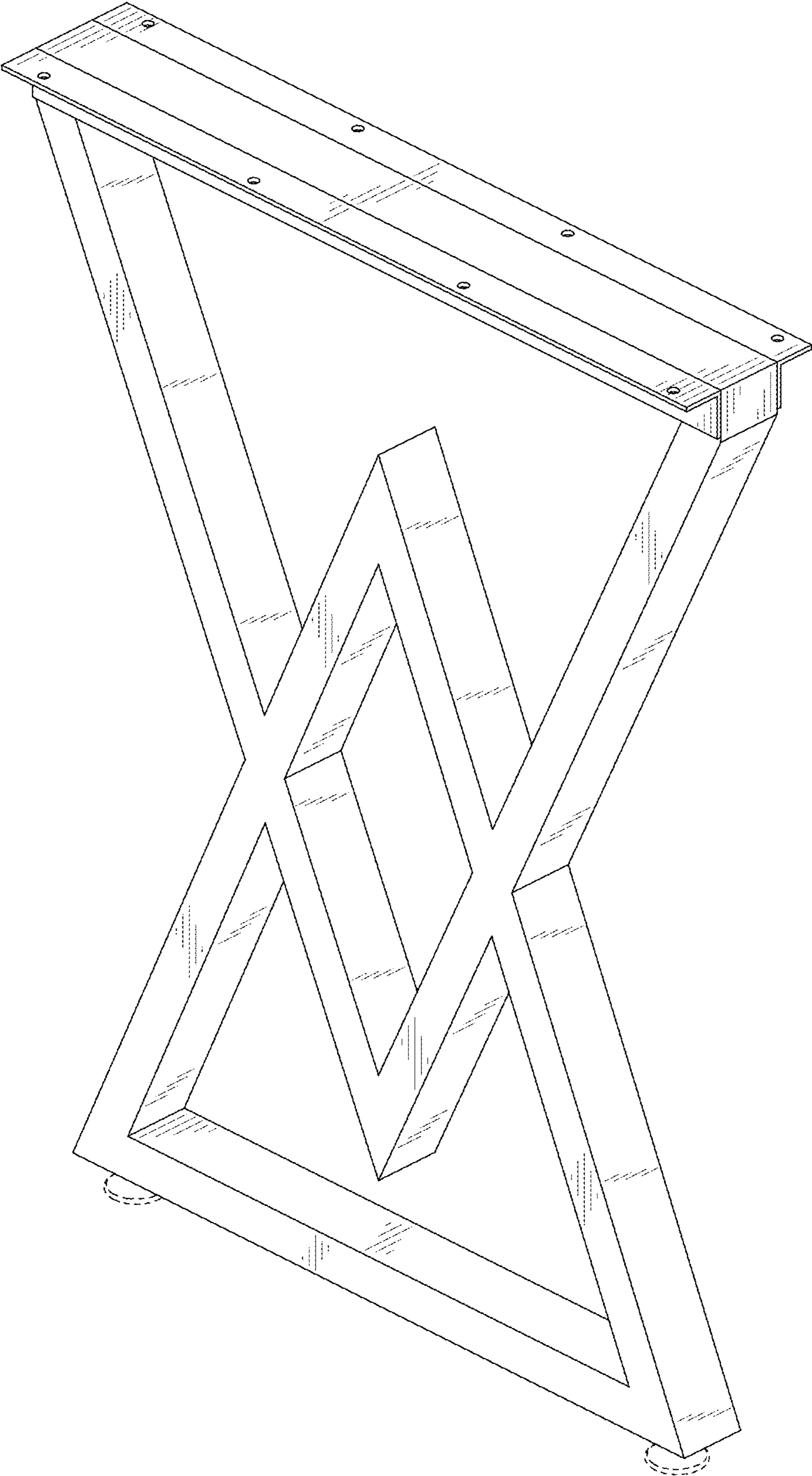


FIG. 1

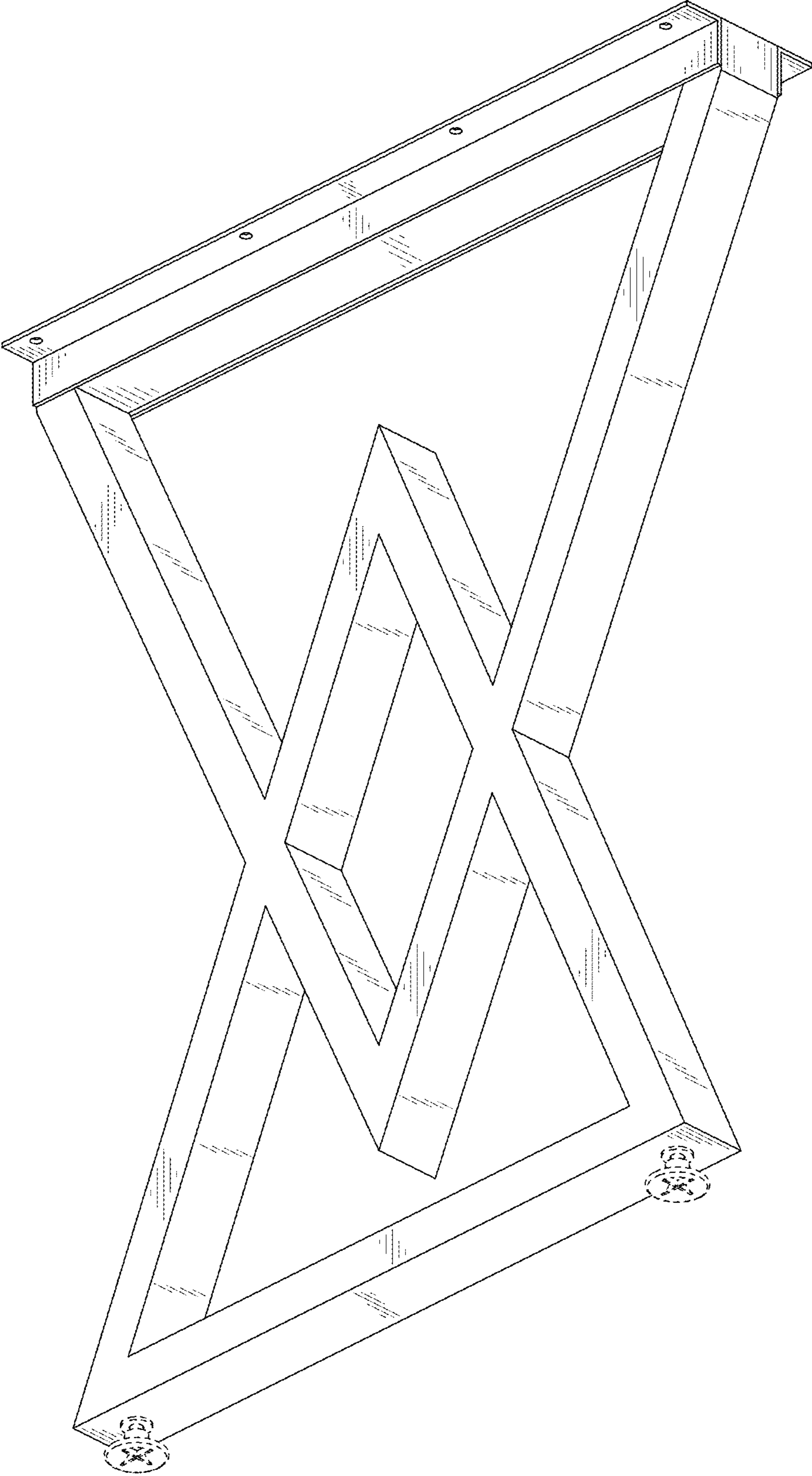


FIG. 2

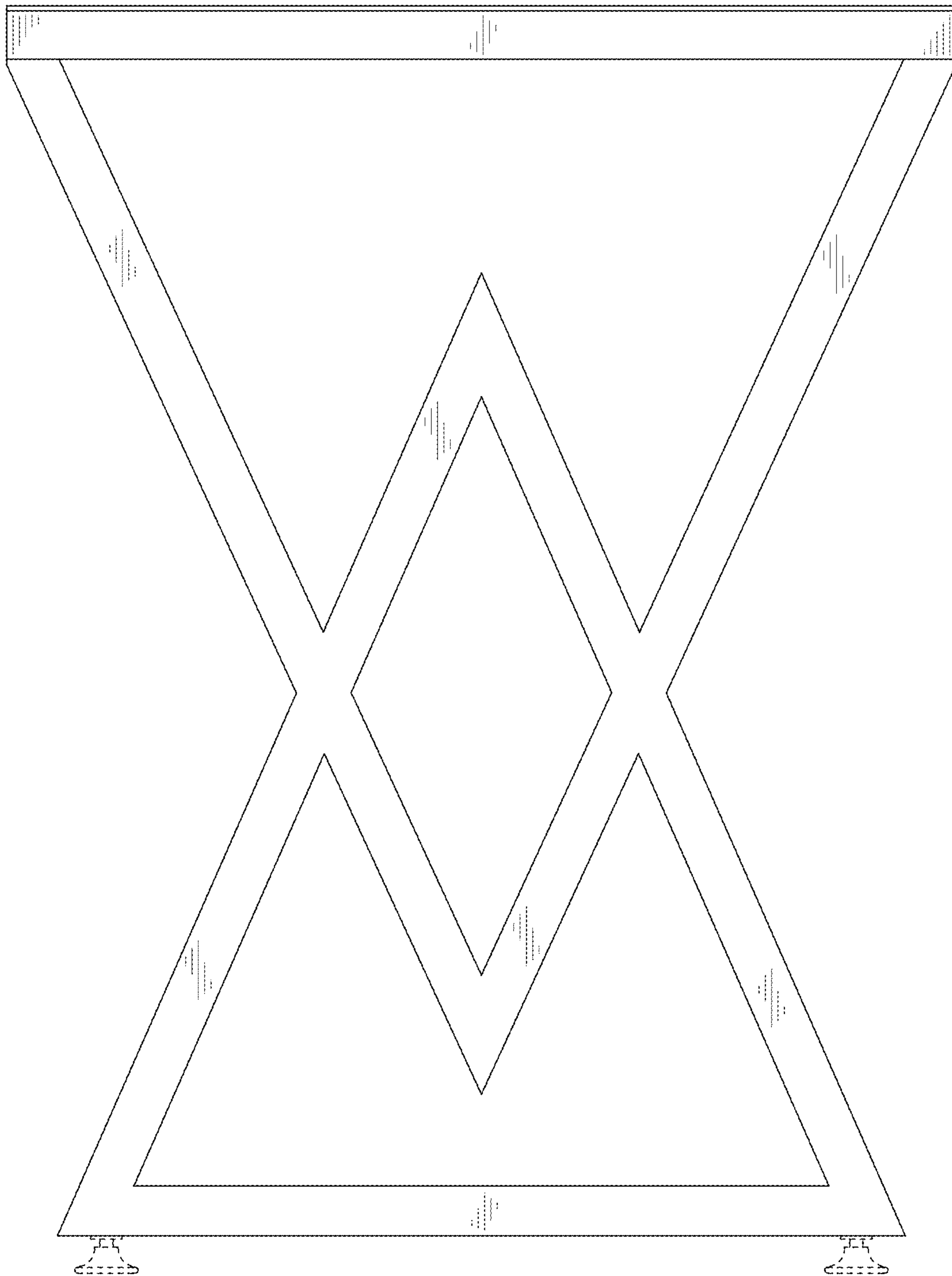


FIG. 3

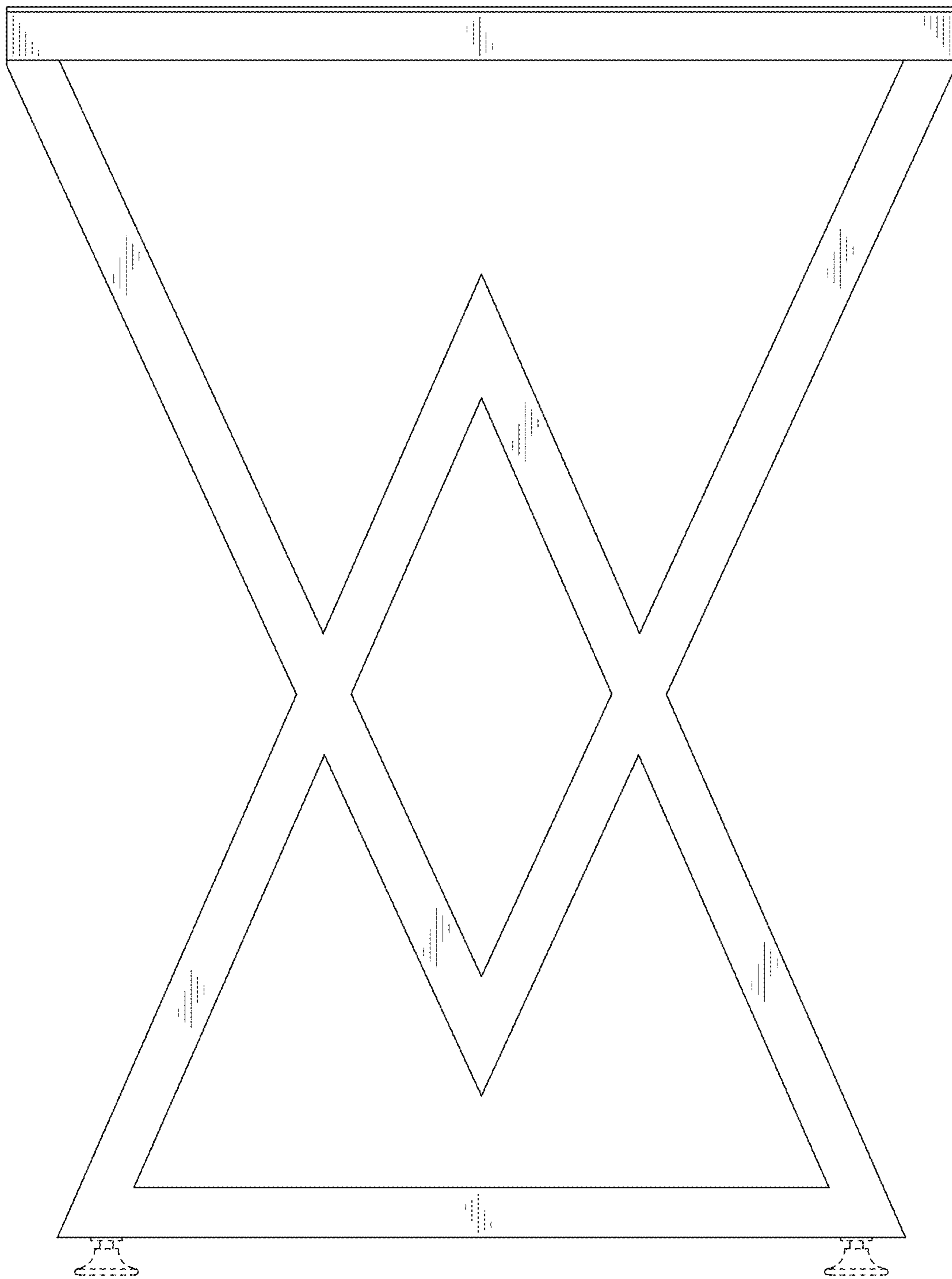


FIG. 4

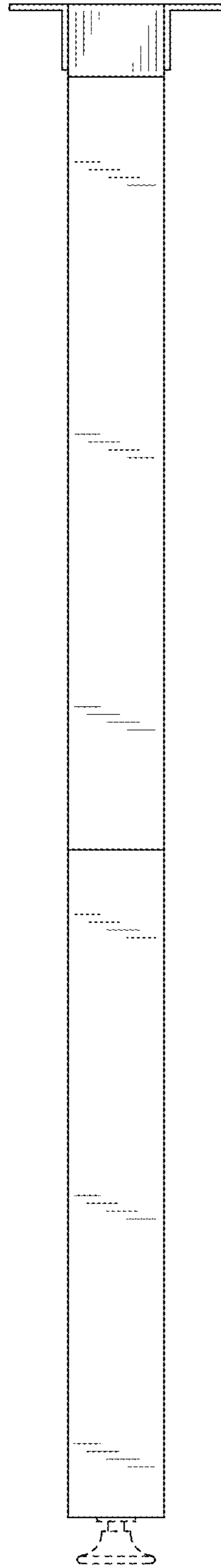


FIG. 5

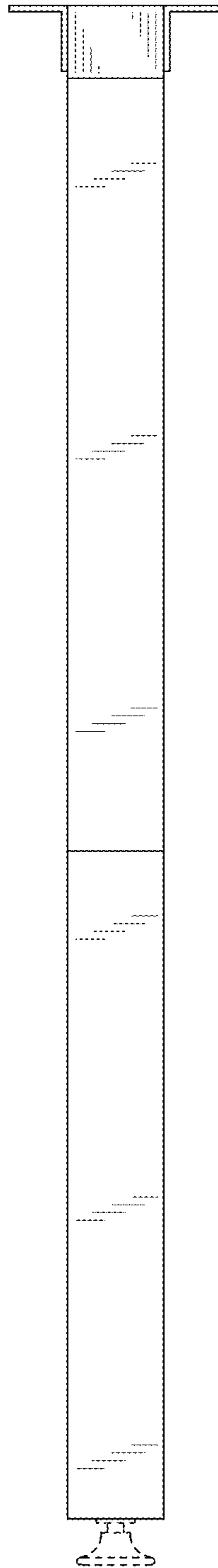


FIG. 6

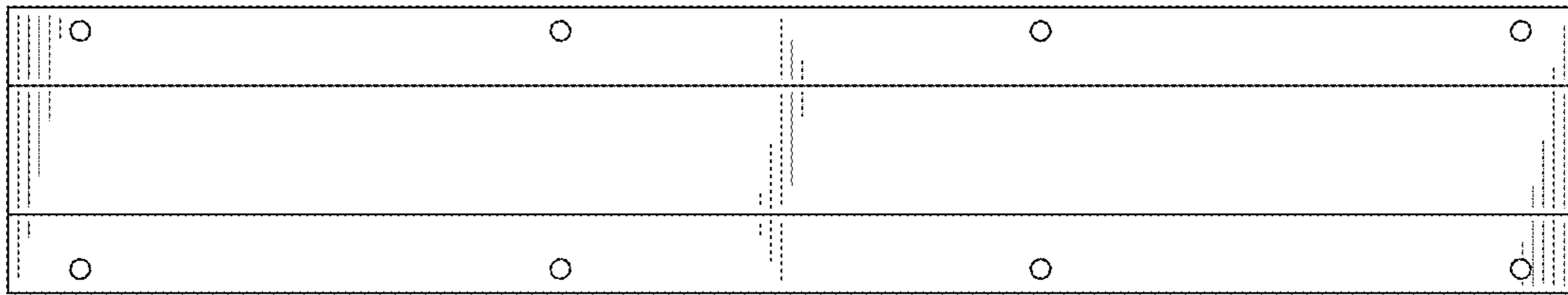


FIG. 7

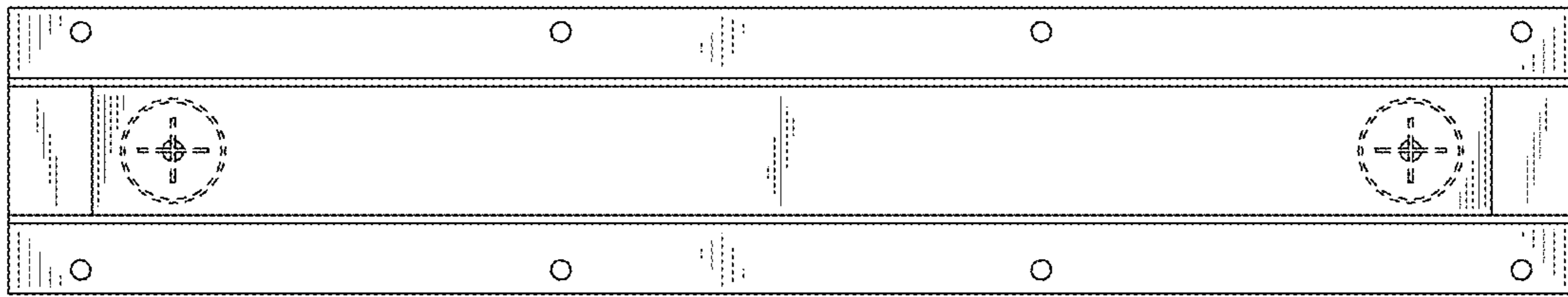


FIG. 8