



US00D985319S

(12) **United States Design Patent** (10) **Patent No.:** **US D985,319 S**
Glass (45) **Date of Patent:** **** May 9, 2023**

(54) **FURNITURE SUPPORT**

(71) Applicant: **Virco Mfg. Corporation**, Torrance, CA (US)

(72) Inventor: **Peter Glass**, Arroyo Grande, CA (US)

(73) Assignee: **VIRCO MFG. CORPORATION**, Torrance, CA (US)

(**) Term: **15 Years**

(21) Appl. No.: **29/728,462**

(22) Filed: **Mar. 18, 2020**

(51) **LOC (14) Cl.** **06-06**

(52) **U.S. Cl.**
USPC **D6/708**

(58) **Field of Classification Search**
USPC ... D6/641, 642, 685, 686, 702, 708, 708.16,
D6/708.17, 708.22, 709, 709.2, 709.21,
D6/710
CPC A47B 33/00; A47B 33/12; A47B 43/00;
A47B 2200/0011; A47B 2200/0013;
A47B 2200/0016; A47B 2200/0017;
A47B

(Continued)

(56) **References Cited**

U.S. PATENT DOCUMENTS

D216,715 S * 3/1970 Dottinger D6/709
4,297,952 A * 11/1981 Zagaroli A47B 1/02
108/65

(Continued)

Primary Examiner — Mary Ann Calabrese

(74) *Attorney, Agent, or Firm* — Knobbe, Martens, Olson & Bear, LLP

(57) **CLAIM**

The ornamental design for a furniture support, as shown and described.

DESCRIPTION

FIG. 1 is a front, top, left side, isometric view of a furniture support embodying the new design, in accordance with a first embodiment;

FIG. 2 is a front, bottom, right side, isometric view thereof; FIG. 3 is a first cross-sectional view thereof along lines 3-3 in FIG. 1;

FIG. 4 is a rear view thereof;

FIG. 5 is a front view thereof;

FIG. 6 is a second cross-sectional view thereof along lines 6-6 in FIG. 5;

FIG. 7 is a left side view thereof;

FIG. 8 is a right side view thereof;

FIG. 9 is a top view thereof; and

FIG. 10 is a bottom view thereof.

FIG. 11 is a front, top, left side, isometric view of a furniture support embodying the new design, in accordance with a second embodiment;

FIG. 12 is a front, bottom, right side, isometric view thereof; FIG. 13 is a first cross-sectional view thereof along lines 13-13 in FIG. 11;

FIG. 14 is a rear view thereof;

FIG. 15 is a front view thereof;

FIG. 16 is a second cross-sectional view thereof along lines 16-16 in FIG. 15;

FIG. 17 is a left side view thereof;

FIG. 18 is a right side view thereof;

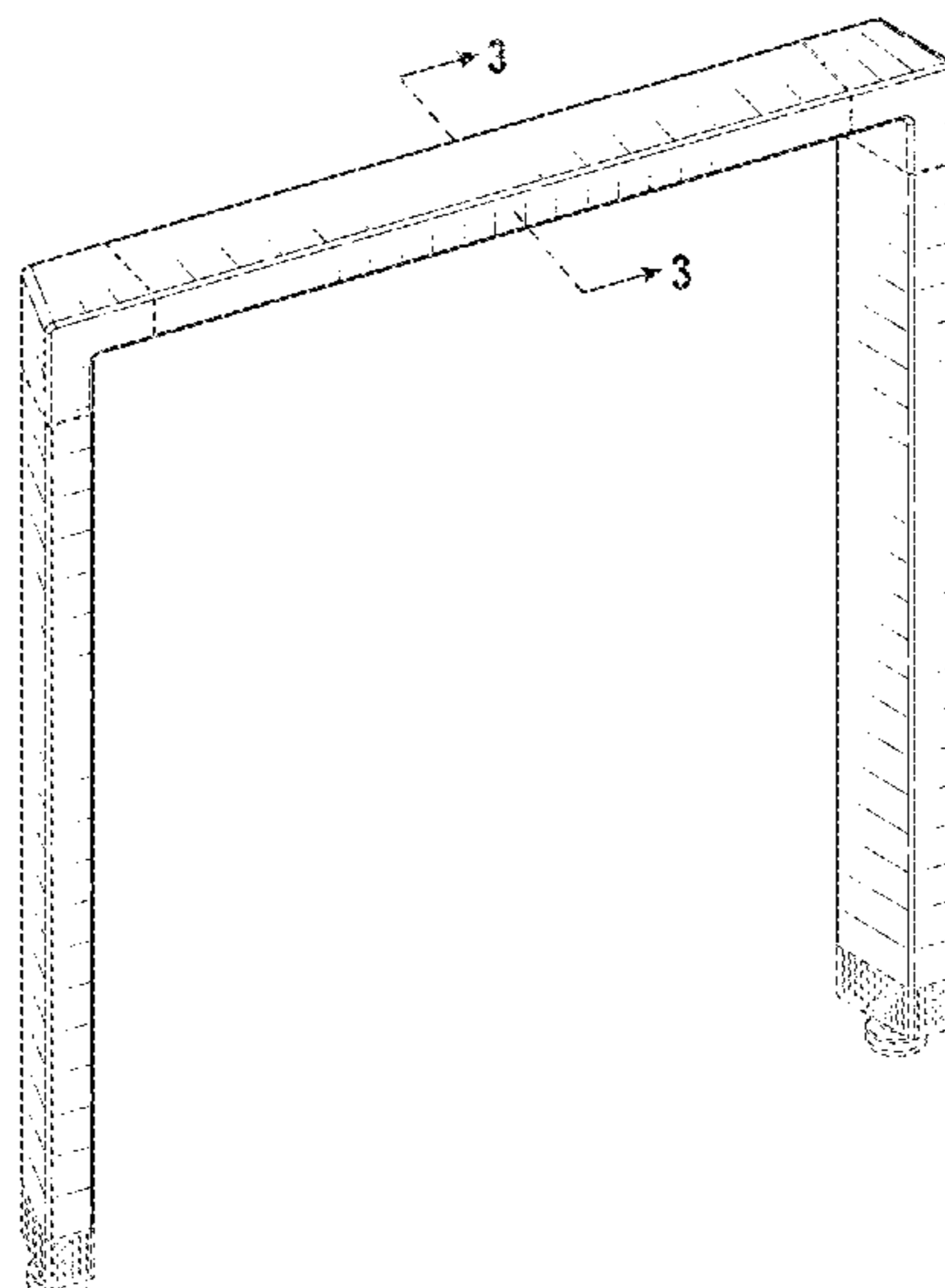
FIG. 19 is a top view thereof; and

FIG. 20 is a bottom view thereof; and,

FIG. 21 is a front, top, left side, isometric view of a furniture support illustrating environmental structure, in accordance with the first embodiment.

Broken lines are used to illustrate portions of the furniture support that form no part of the claimed design. The furniture support is shown with a symbolic break in its length and width. The appearance of any portion of the article between the break lines forms no part of the claimed design.

1 Claim, 21 Drawing Sheets



(58) **Field of Classification Search**

CPC 2200/002; A47B 2200/0021; A47B
2200/0022; A47B 2200/0023

See application file for complete search history.

(56) **References Cited**

U.S. PATENT DOCUMENTS

5,492,291 A * 2/1996 Otani A47B 21/0371
248/118.1
D431,398 S * 10/2000 Luong D6/656
D567,551 S * 4/2008 Verbeek D6/703
D655,537 S * 3/2012 Ruiters A47B 21/0371
D6/709
D659,442 S * 5/2012 Henriott D6/709
D661,127 S * 6/2012 Arko D6/691
D684,414 S * 6/2013 Tsuchiyama D6/709
D833,189 S * 11/2018 Inovero D6/691.8
D869,886 S * 12/2019 Inovero D6/691.8
D906,561 S * 12/2020 Velez A47B 1/02
D26/60

* cited by examiner

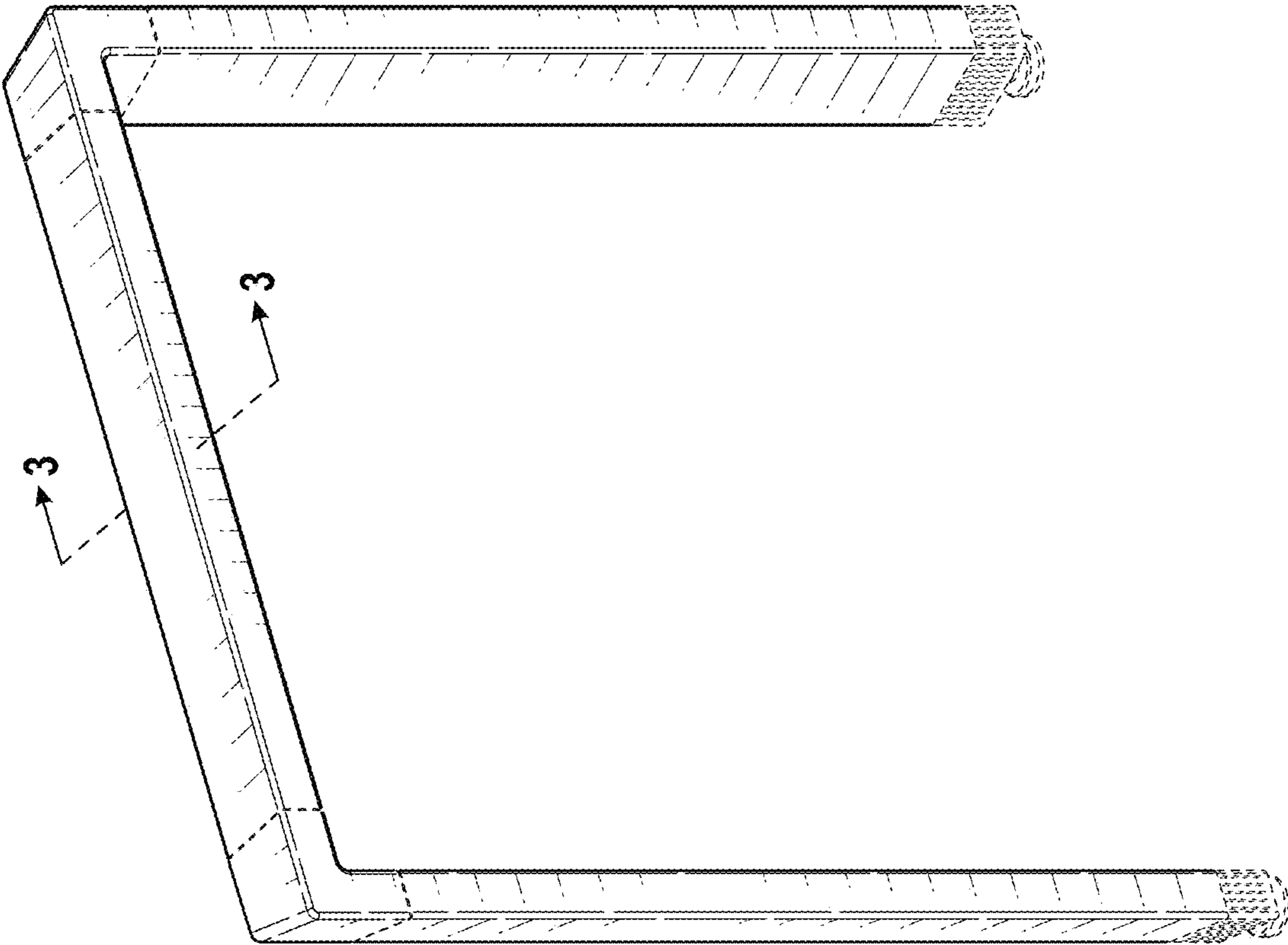


FIG. 1

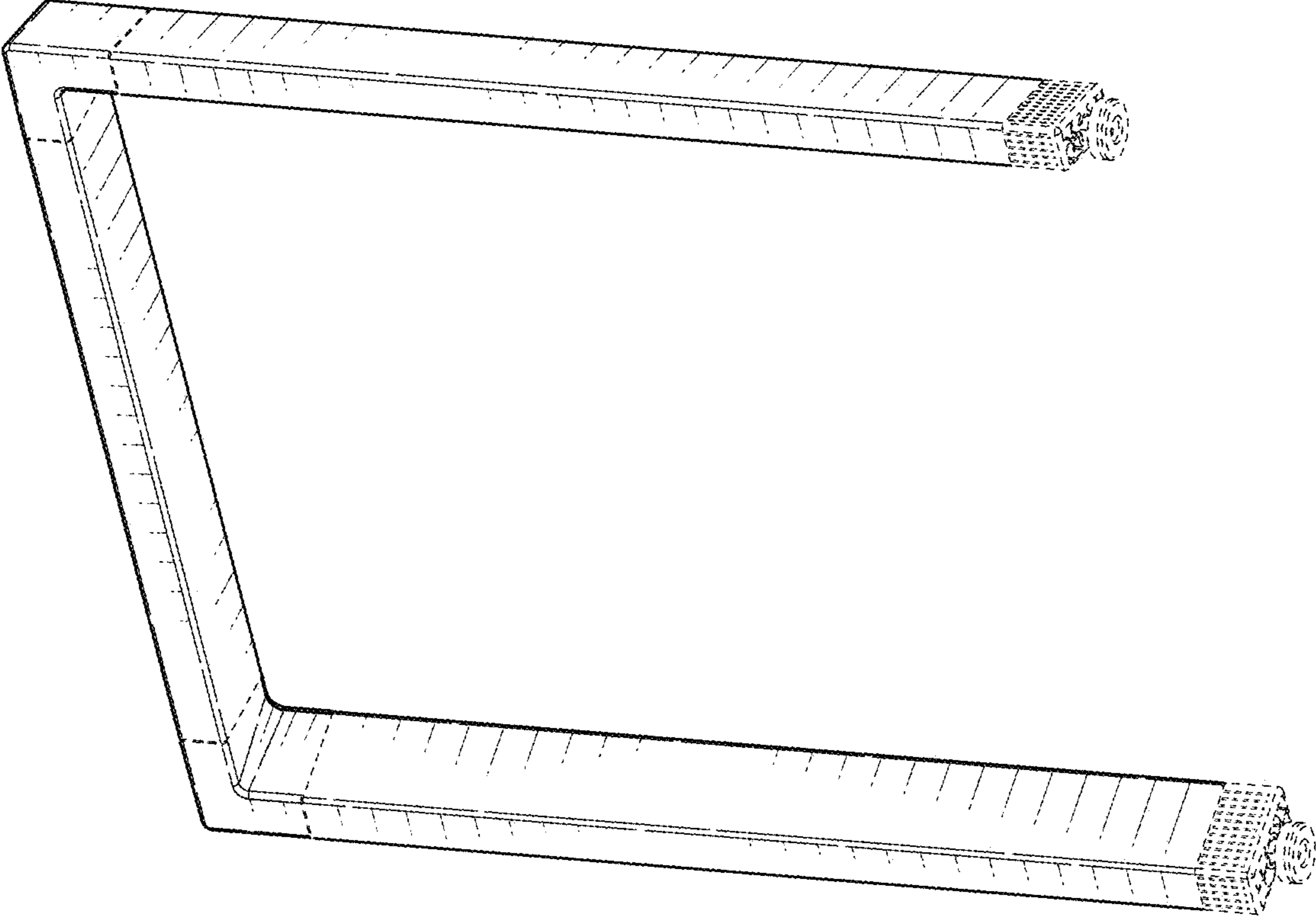


FIG. 2

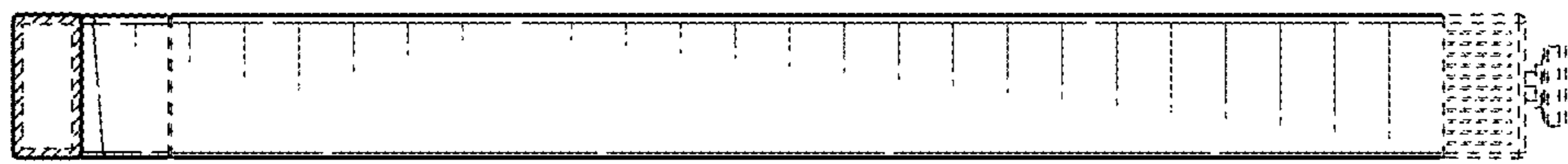


FIG. 3

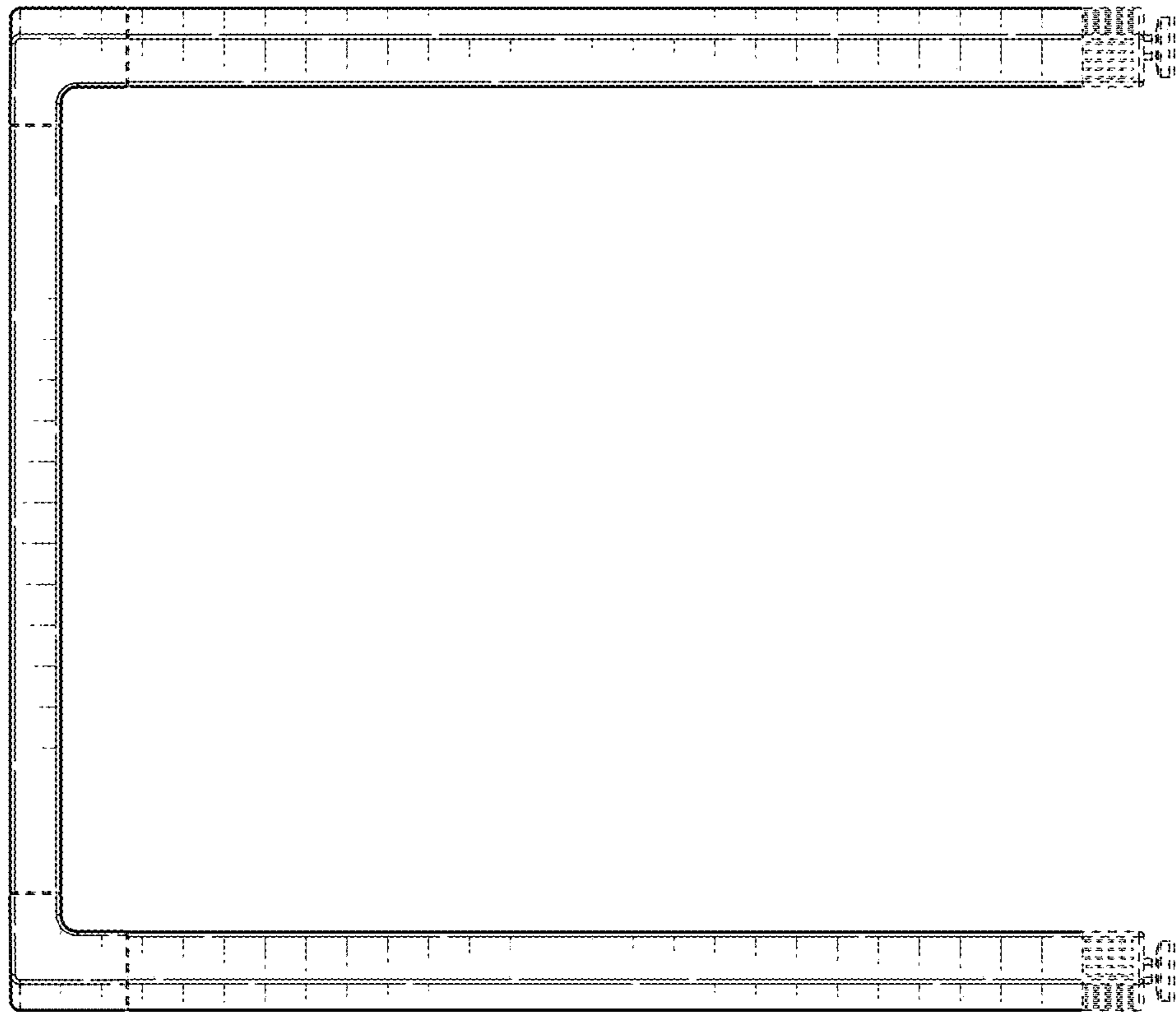


FIG. 4

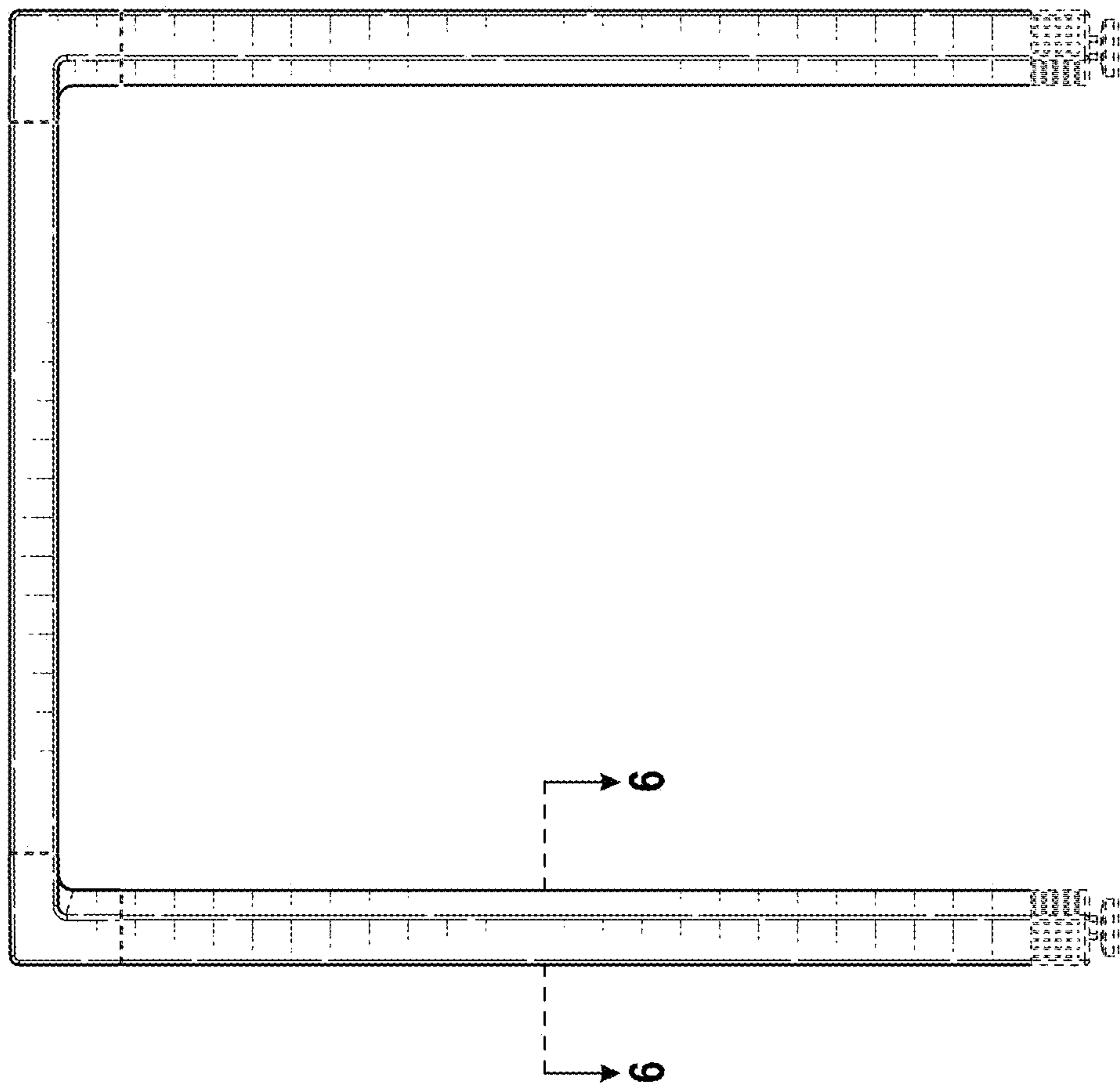


FIG. 5

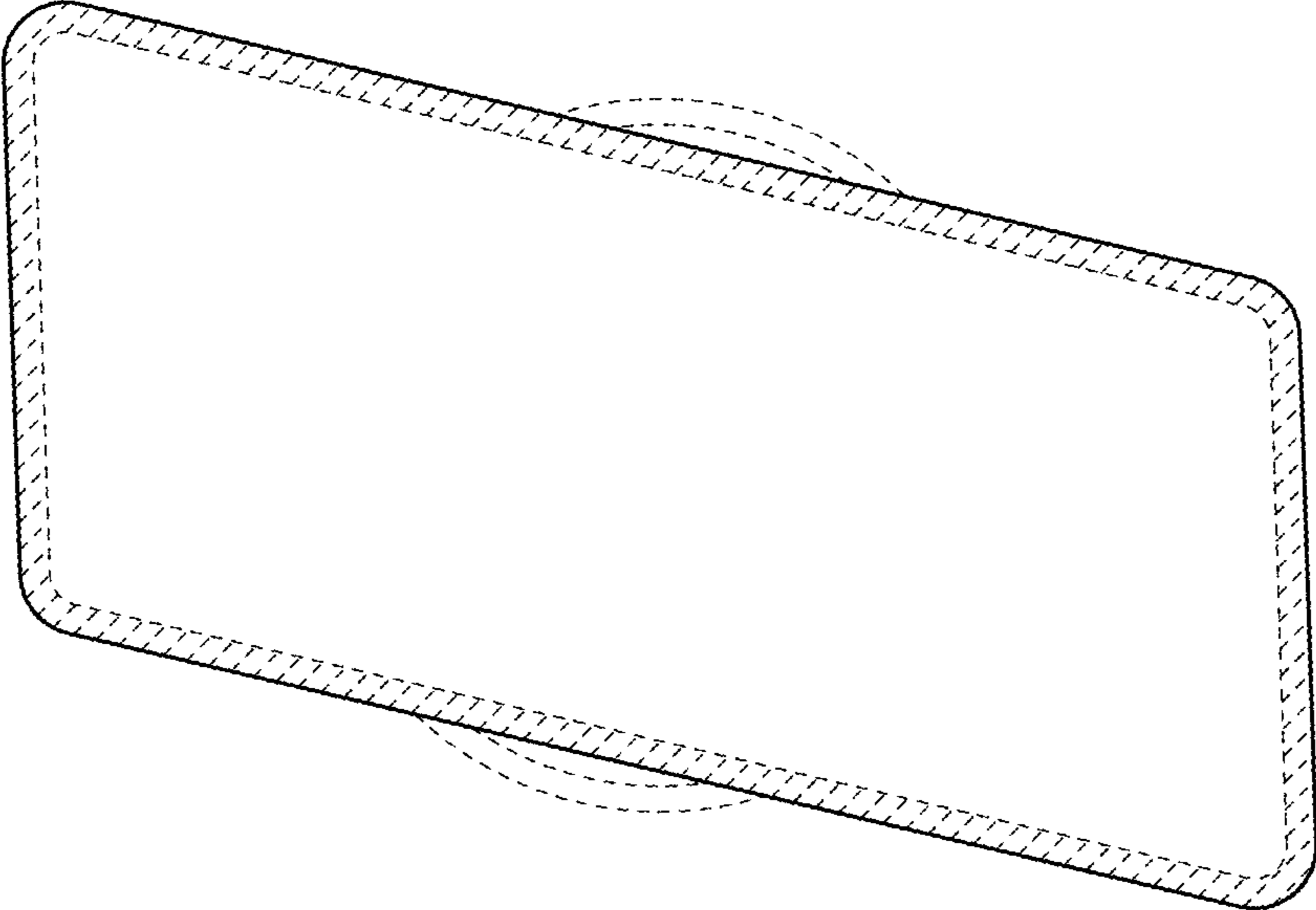


FIG. 6

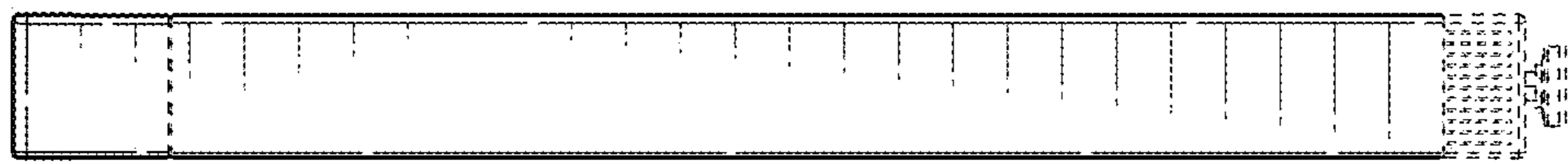


FIG. 7

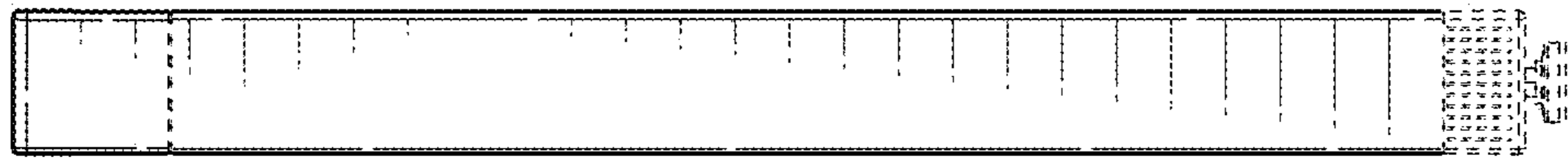


FIG. 8

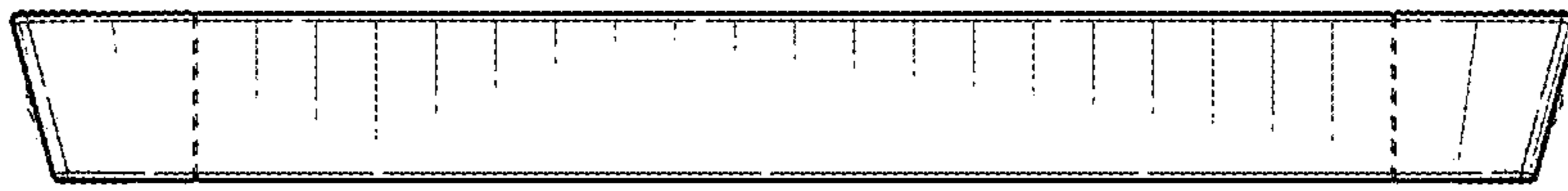


FIG. 9

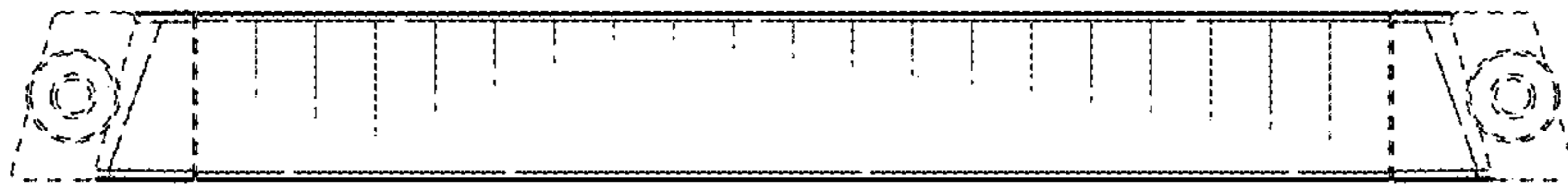


FIG. 10

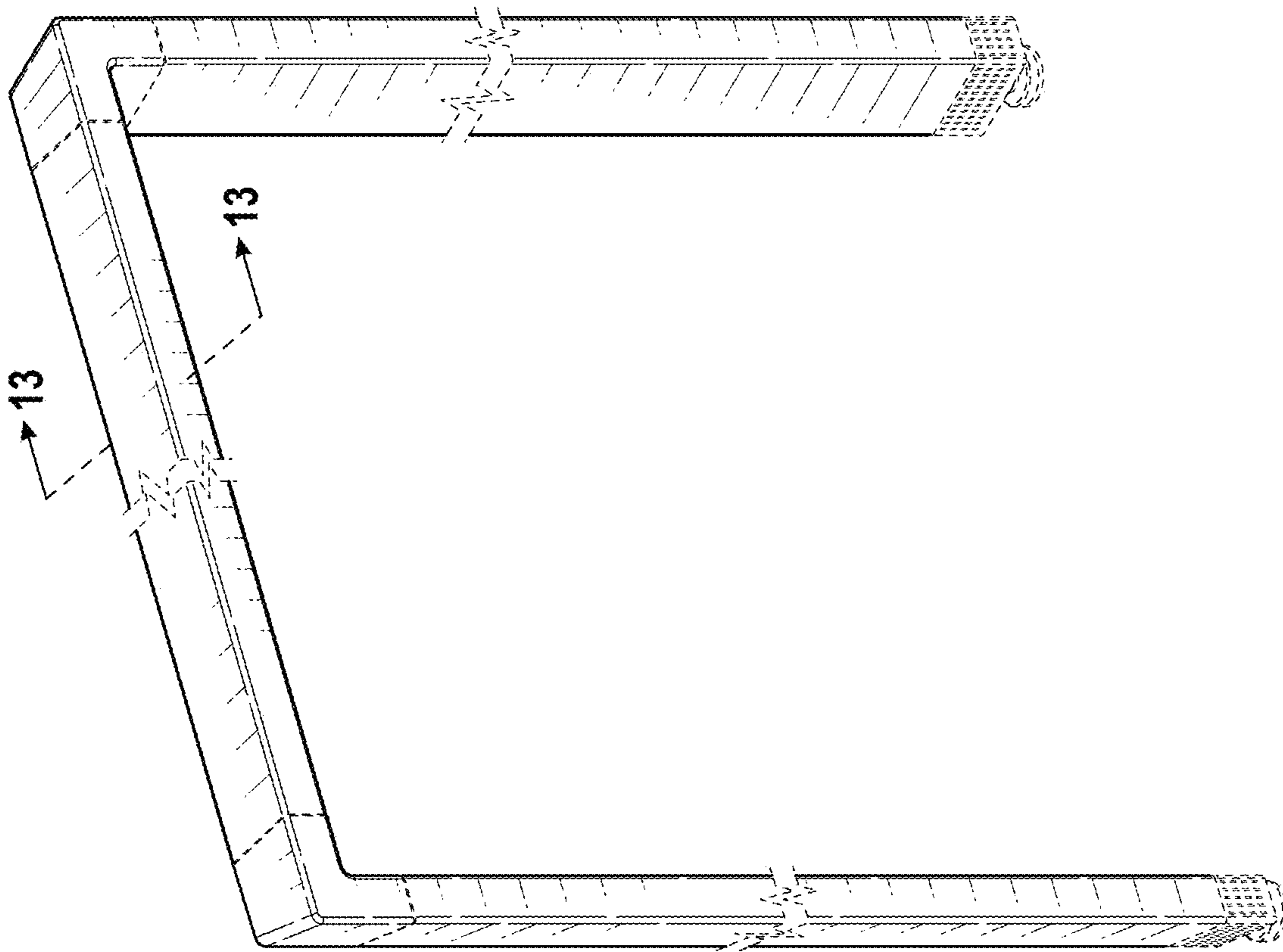


FIG. 11

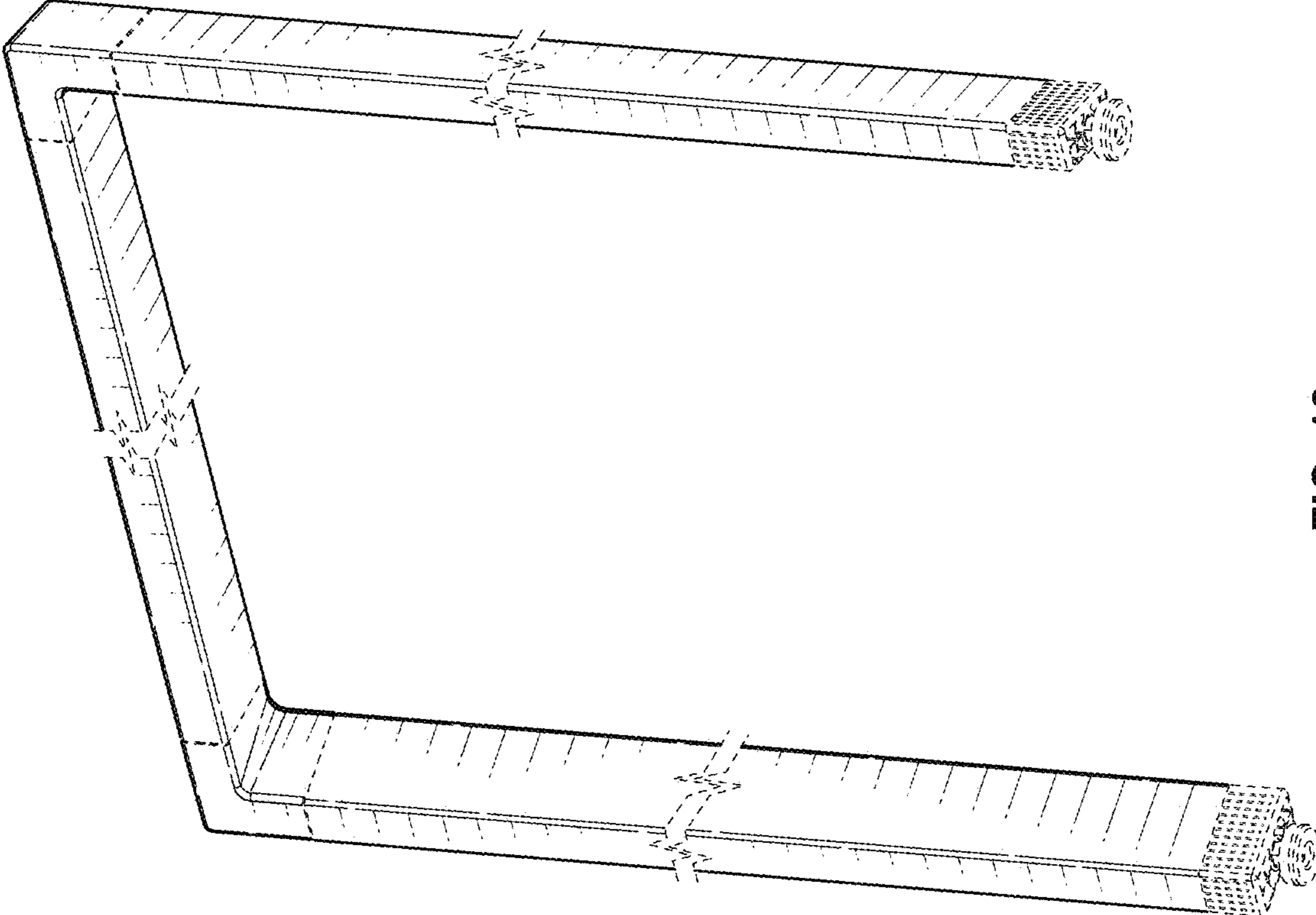


FIG. 12

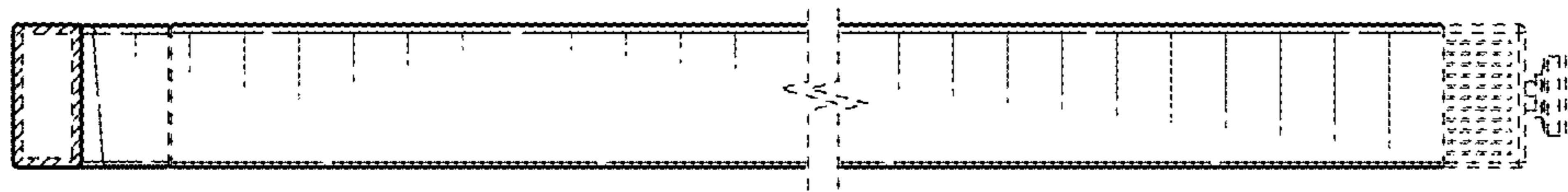


FIG. 13

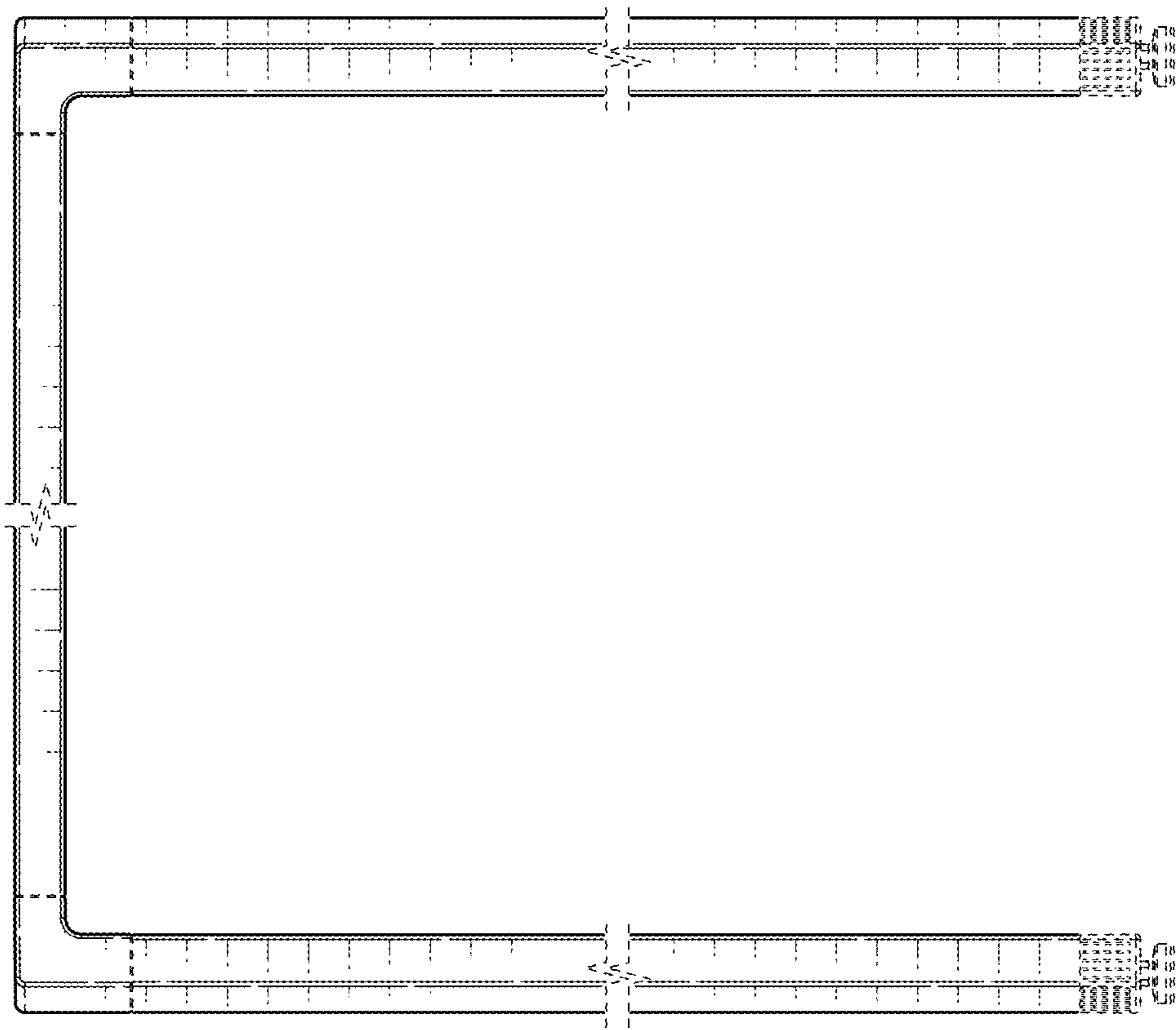


FIG. 14

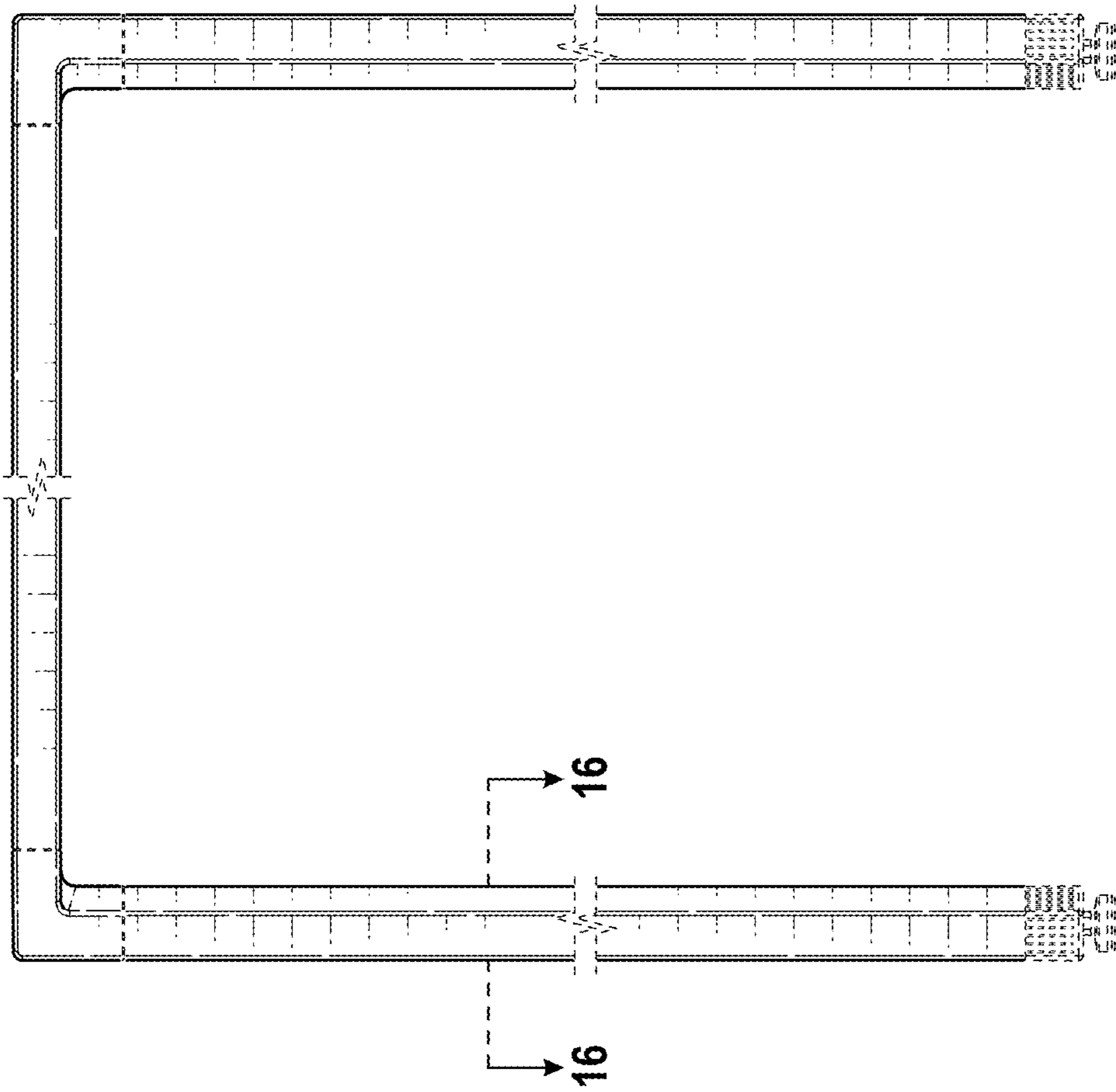


FIG. 15

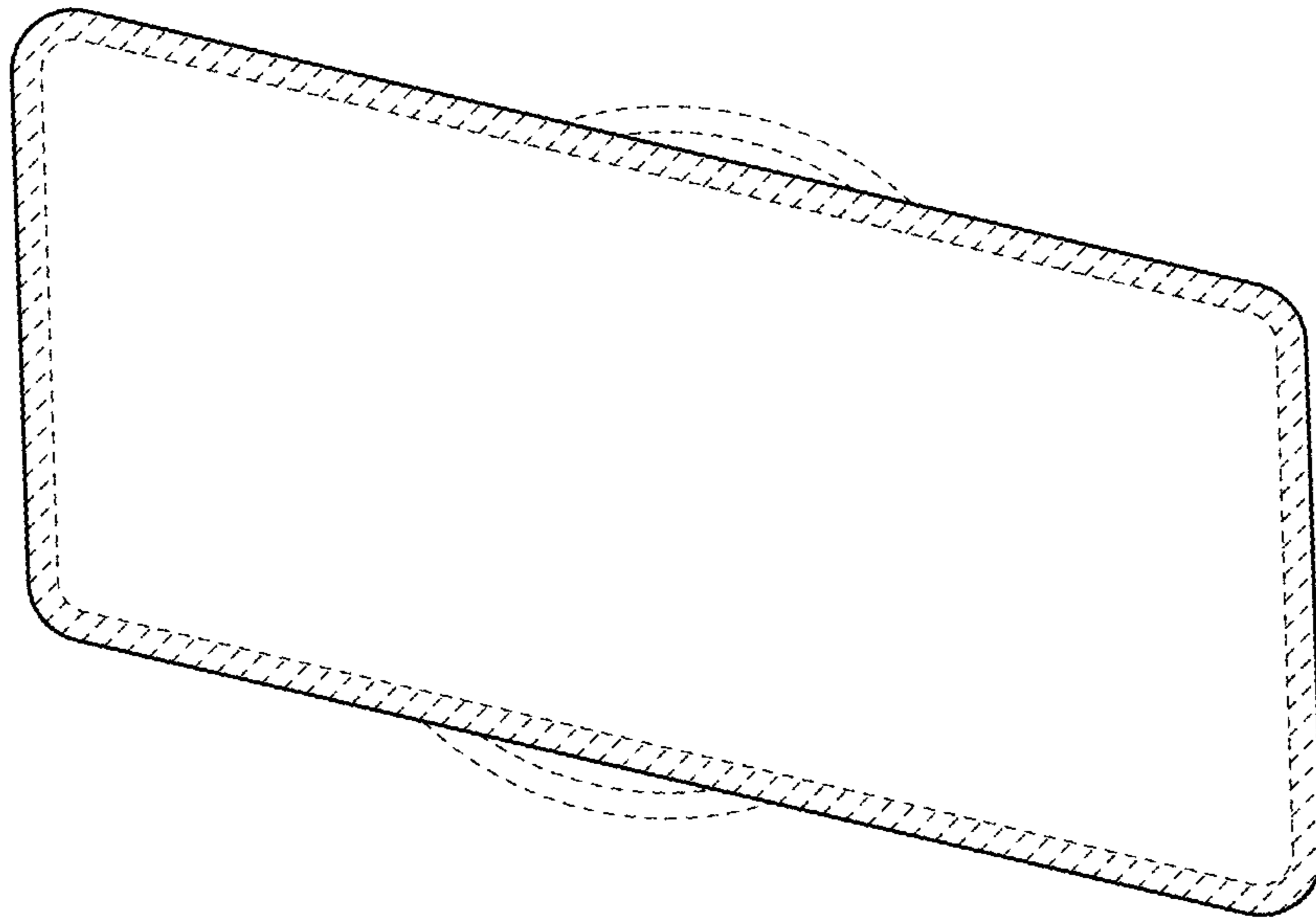


FIG. 16

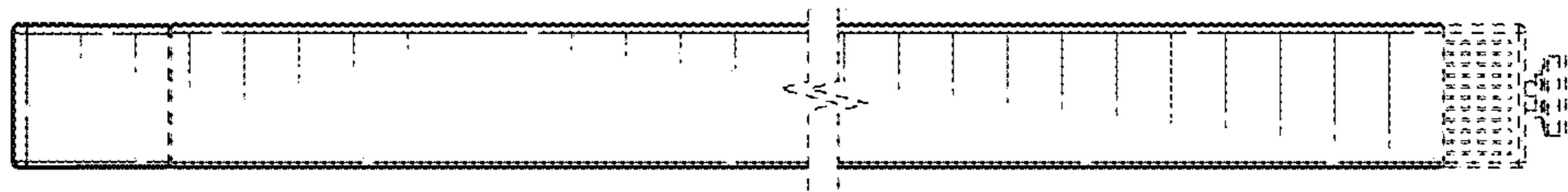


FIG. 17

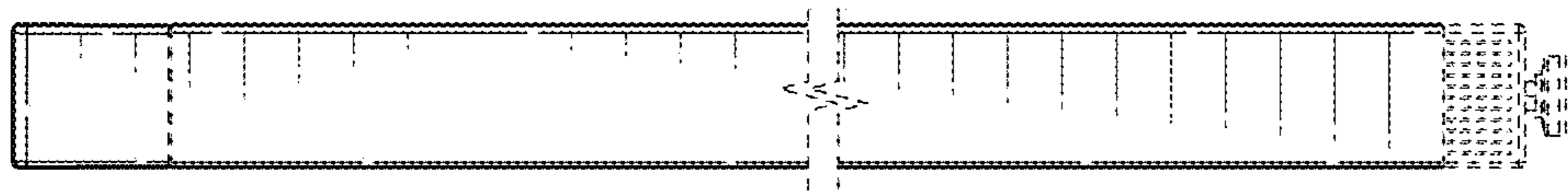


FIG. 18

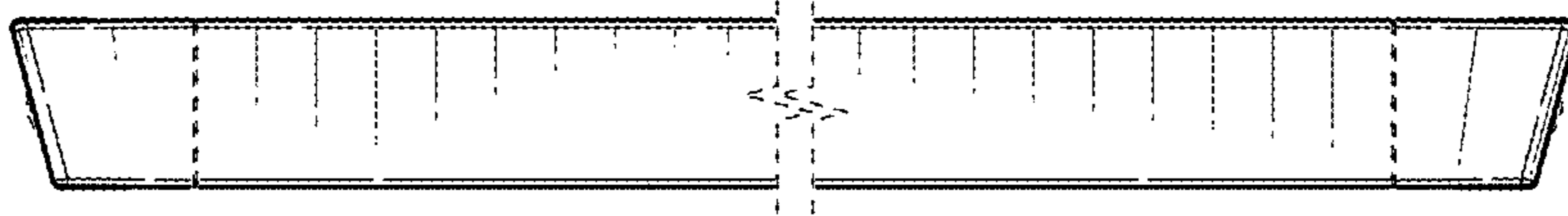


FIG. 19

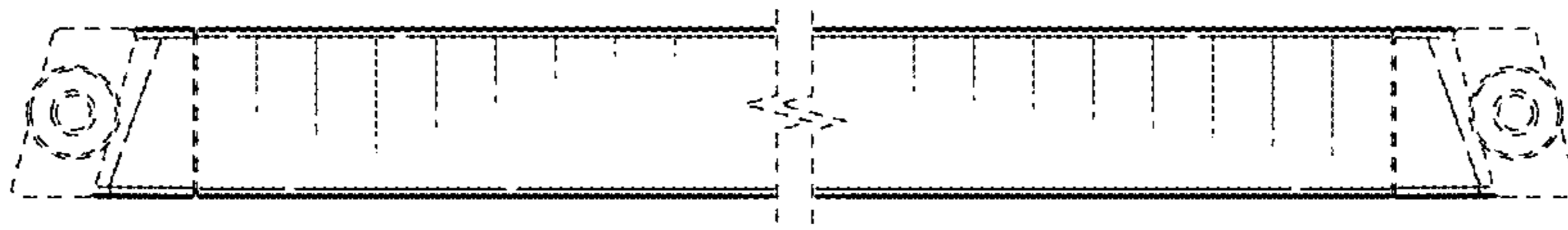


FIG. 20

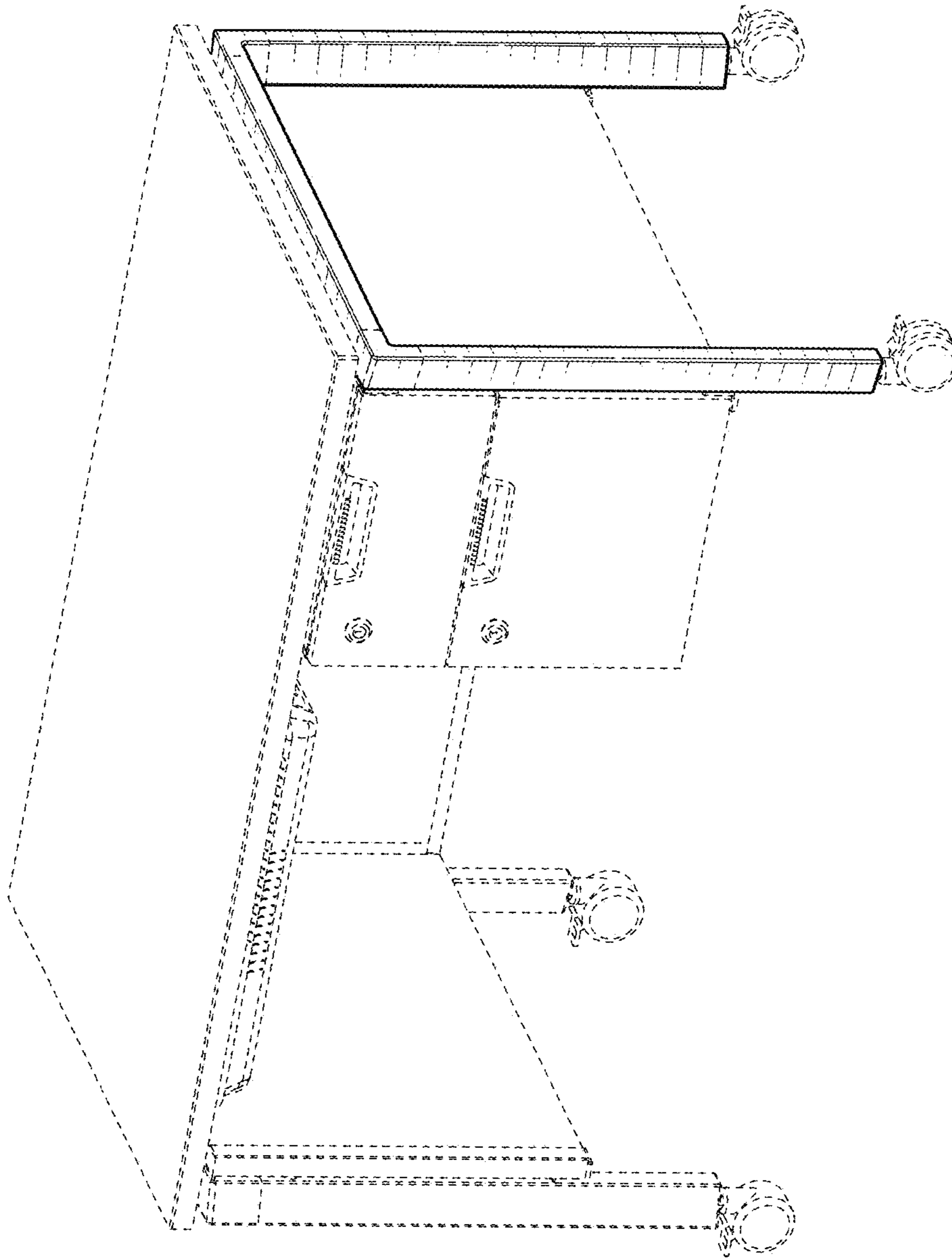


FIG. 21