



US00D985318S

(12) **United States Design Patent**  
**Welling**

(10) **Patent No.:** **US D985,318 S**

(45) **Date of Patent:** **\*\* May 9, 2023**

- (54) **TABLE**
- (71) Applicant: **& Tradition A/S**, Copenhagen (DK)
- (72) Inventor: **Jørgen Hee Welling**, Copenhagen (DK)
- (73) Assignee: **& TRADITION A/S**, Copenhagen (DK)
- (\*\*) Term: **15 Years**

2,650,148 A *	8/1953	Streng	.....	F16B 12/48	108/155
D243,983 S *	4/1977	Carter	.....	D6/691.8	
D299,893 S *	2/1989	Diehl	.....	D6/691.8	
D503,298 S *	3/2005	Juneau	.....	D6/691	
D522,279 S *	6/2006	Hansbæk	.....	D6/686	
D772,623 S *	11/2016	Lin	.....	D6/691	
D829,475 S *	10/2018	Davis	.....	D6/691	
D911,086 S *	2/2021	Crocker	.....	D6/691.6	
D927,904 S *	8/2021	Pedersen	.....	D6/691.3	

- (21) Appl. No.: **29/739,167**
- (22) Filed: **Jun. 23, 2020**
- (51) **LOC (14) Cl.** ..... **06-03**
- (52) **U.S. Cl.**  
USPC ..... **D6/691.1**
- (58) **Field of Classification Search**  
USPC ..... D6/349, 642, 656, 656.13, 656.18, 675,  
D6/685, 686, 691, 691.1-691.9  
CPC .... A47B 1/00; A47B 3/00; A47B 3/12; A47B  
3/083; A47B 7/00; A47B 9/00; A47B  
13/00; A47B 13/02; A47B 13/04; A47B  
13/08; A47B 13/06; A47B 17/00; A47B  
21/00; A47B 22/0001; A47B 2200/001;  
A47B 2200/0011; A47B 2200/002  
See application file for complete search history.

- (56) **References Cited**  
U.S. PATENT DOCUMENTS
- |               |         |          |       |           |         |
|---------------|---------|----------|-------|-----------|---------|
| 1,393,679 A * | 10/1921 | Forster  | ..... | A47B 3/12 | 211/195 |
| D164,075 S *  | 7/1951  | Wallance | ..... | D6/691    |         |
| 2,614,013 A * | 10/1952 | Langius  | ..... | A47B 1/08 | 108/69  |
| 2,631,075 A * | 3/1953  | De Gaal  | ..... | A47B 1/08 | 108/86  |

**OTHER PUBLICATIONS**

Patch by Hee Welling, first available: Feb. 24, 2021. Youtube.com [online], [site visited Feb. 3, 2023], Internet URL: [https://www.youtube.com/watch?v=tZ-ro9\\_Y4H4](https://www.youtube.com/watch?v=tZ-ro9_Y4H4) (Year: 2021).\*

\* cited by examiner

*Primary Examiner* — Mary Ann Calabrese  
*Assistant Examiner* — Hillary Catherine Shepard  
(74) *Attorney, Agent, or Firm* — Cantor Colburn LLP

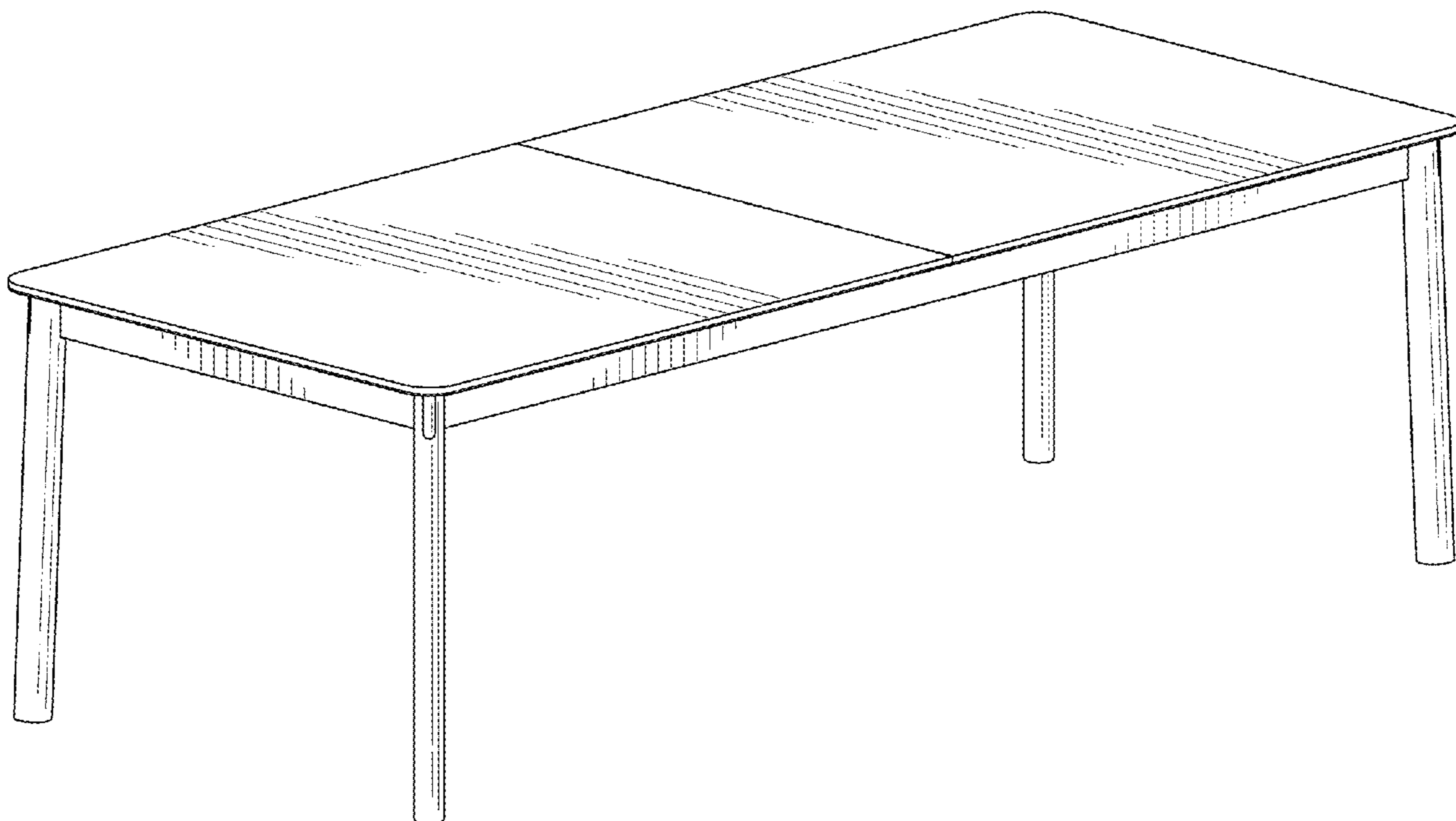
(57) **CLAIM**

I claim, the ornamental design for a table, as shown and described.

**DESCRIPTION**

FIG. 1 is a perspective view of a table, showing my new design;  
FIG. 2 is a side view thereof;  
FIG. 3 is an opposite side view thereof;  
FIG. 4 is an end view thereof;  
FIG. 5 is an opposite end view thereof; and,  
FIG. 6 is a top view thereof.

**1 Claim, 6 Drawing Sheets**



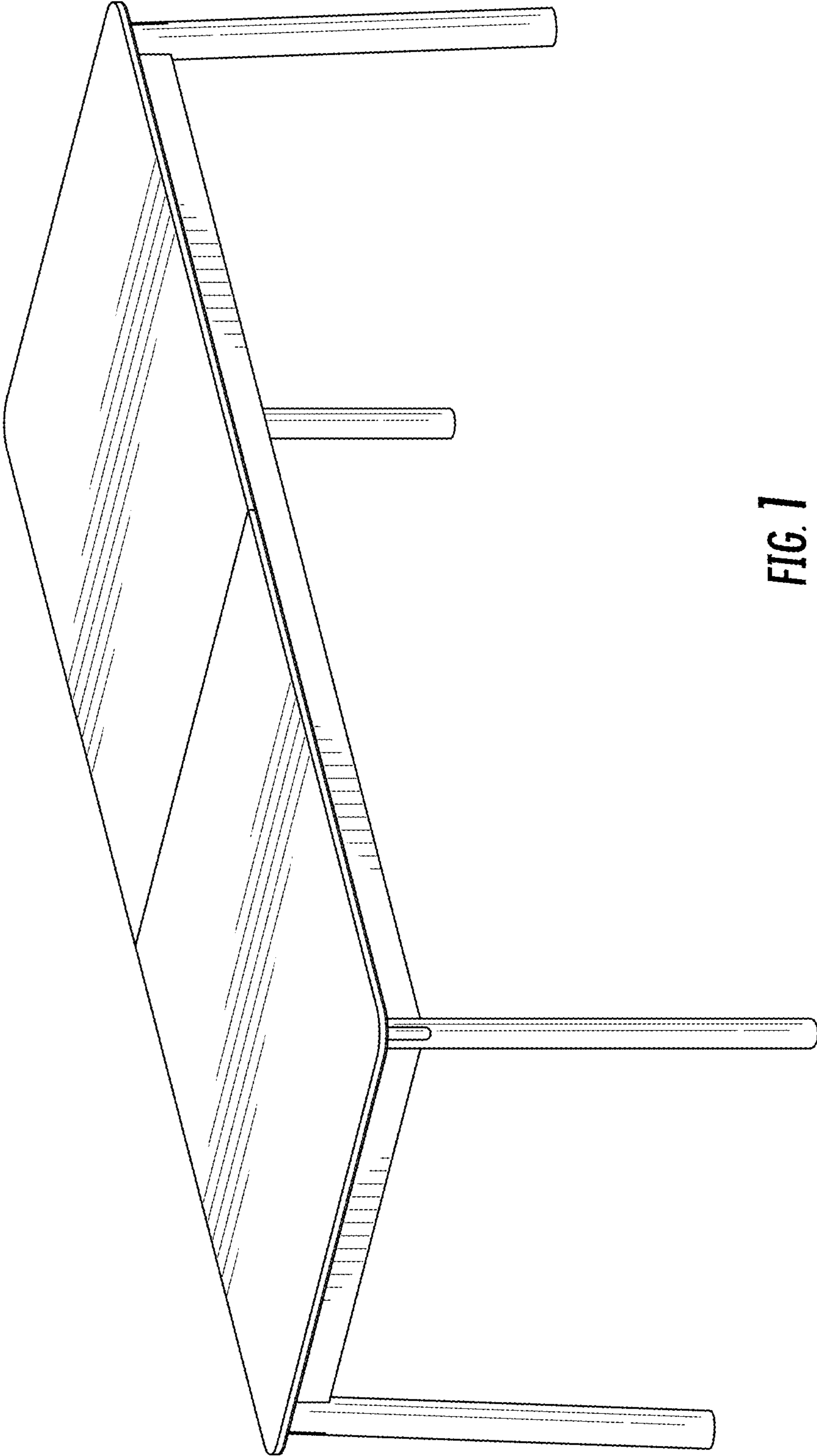


FIG. 1

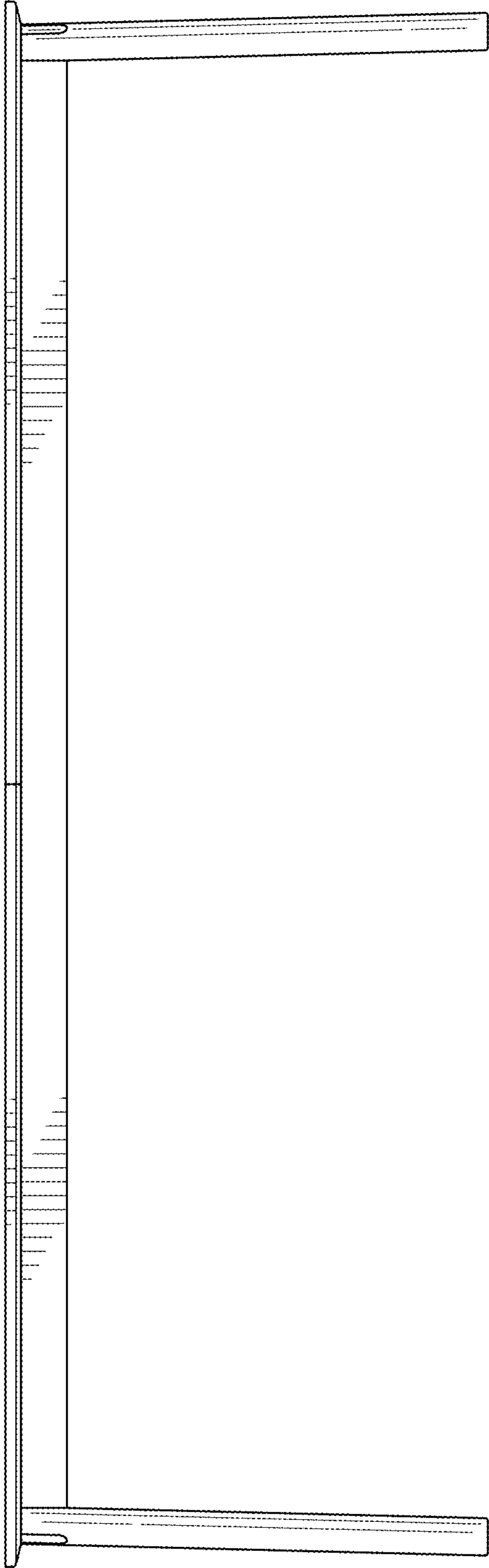


FIG. 2

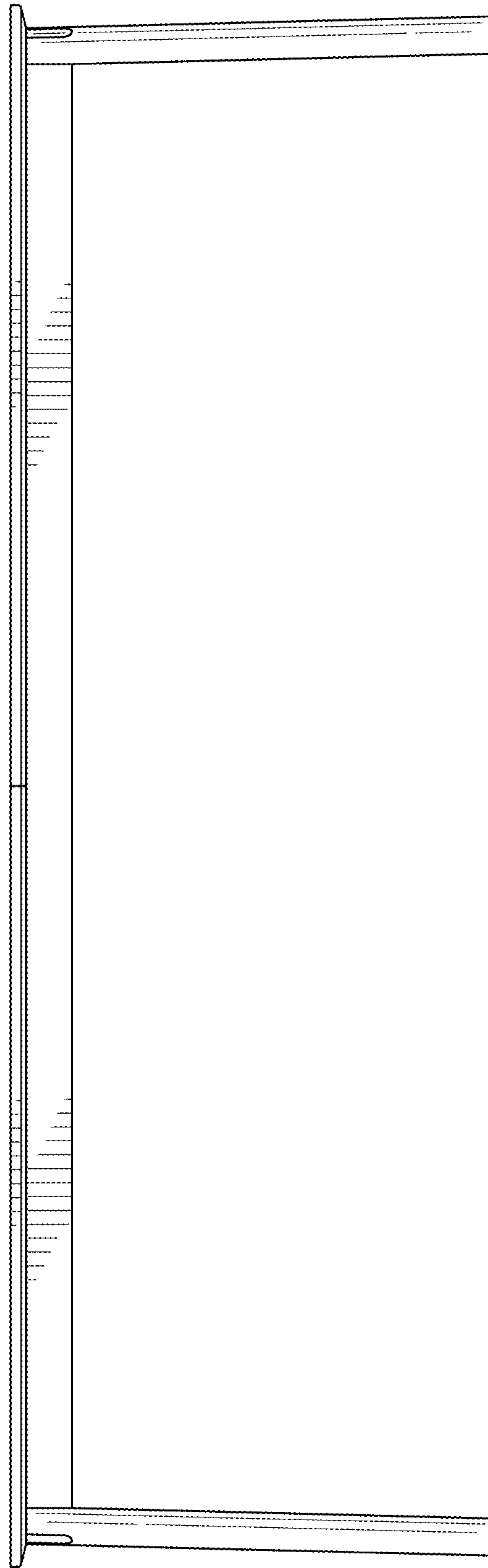
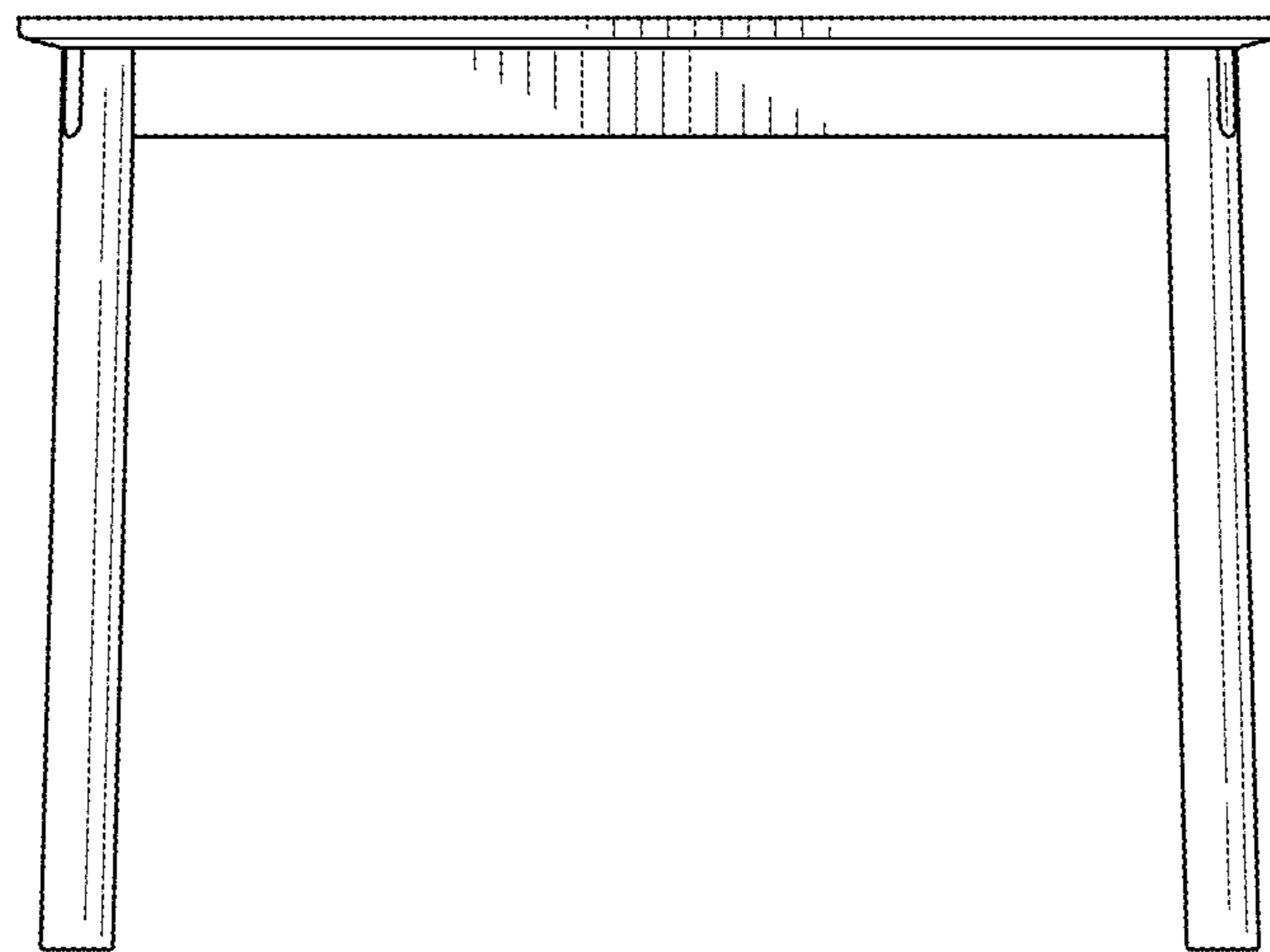
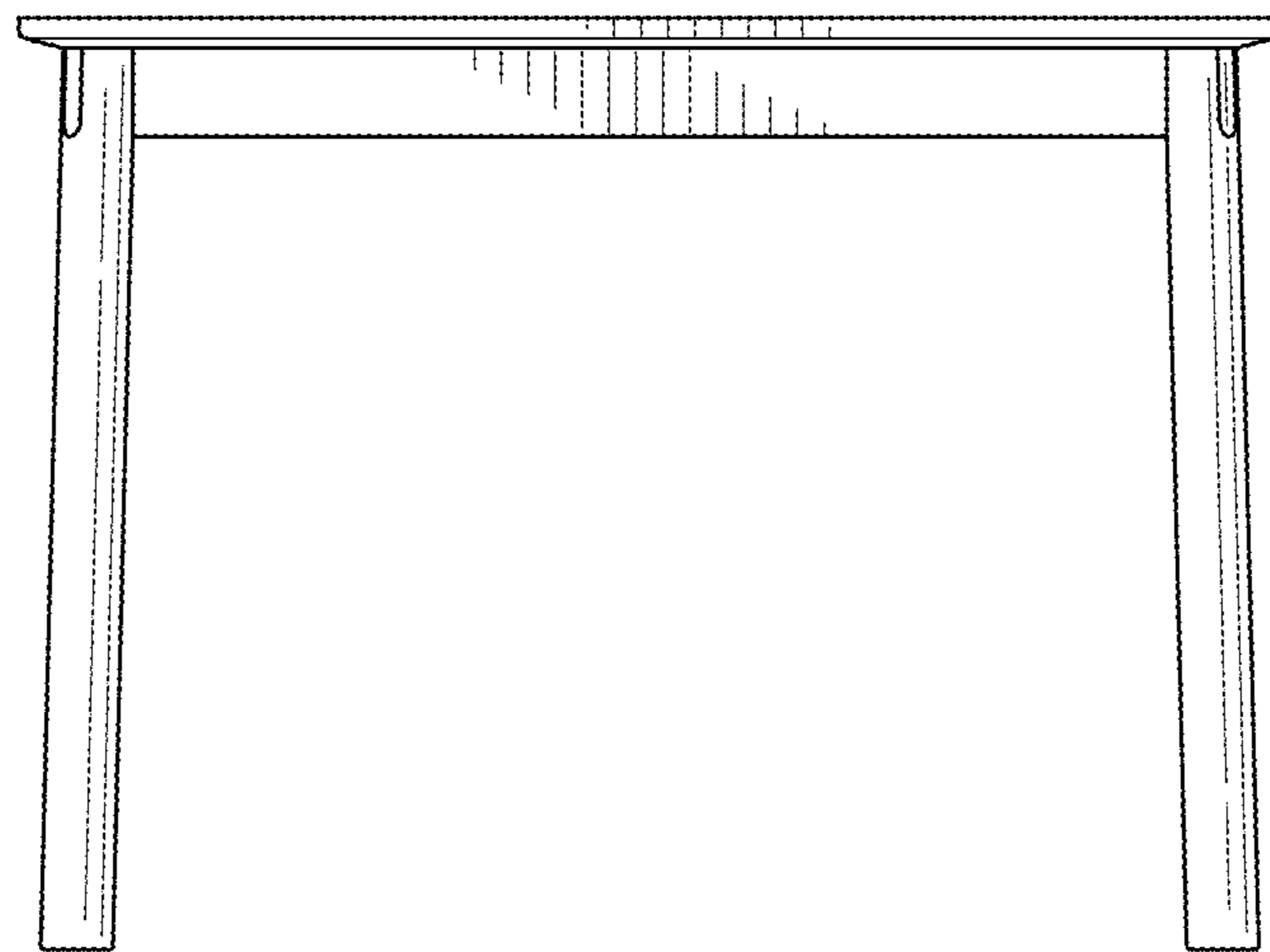


FIG. 3



**FIG. 4**



**FIG. 5**



**FIG. 6**