



US00D985317S

(12) **United States Design Patent** (10) **Patent No.:** **US D985,317 S**  
**Dart et al.** (45) **Date of Patent:** **\*\* May 9, 2023**

- (54) **ADJUSTABLE SHELF**
- (71) Applicant: **Dedee Dart**, Mapleton, UT (US)
- (72) Inventors: **Dedee Dart**, Mapleton, UT (US); **Bart Storrs**, Highland, UT (US)
- (73) Assignee: **Dedee Dart**, Mapleton, UT (US)
- (\*\*) Term: **15 Years**
- (21) Appl. No.: **29/754,701**
- (22) Filed: **Oct. 13, 2020**

**Related U.S. Application Data**

- (63) Continuation of application No. 29/689,053, filed on Apr. 26, 2019, now Pat. No. Des. 898,489.
- (51) **LOC (14) Cl.** ..... **06-06**
- (52) **U.S. Cl.**  
USPC ..... **D6/678**
- (58) **Field of Classification Search**  
USPC ..... D6/406.1–406.5, 654, 654.1, 685, 678,  
D6/678.1, 704, 705, 705.1, 707;  
D19/90–92, 22  
CPC ..... A47F 5/0018; A47F 5/0043; A47F 5/10;  
A47F 7/00; A47F 5/0081  
See application file for complete search history.

(56) **References Cited**

**U.S. PATENT DOCUMENTS**

1,043,950 A	11/1912	Martin	
1,747,628 A *	2/1930	Hagel	..... A41H 17/00 211/49.1
2,023,901 A	12/1935	Rhodes	
2,122,336 A	6/1938	Berry	
2,216,621 A	10/1940	Mackinga	
2,347,821 A	5/1944	Goldner	
2,427,767 A	9/1947	Drake	
2,520,490 A	8/1950	Boward	

2,643,931 A	6/1953	Anderson	
2,657,810 A	11/1953	Garrick	
3,441,146 A	4/1969	Summers	
3,919,950 A	11/1975	Frazelle et al.	
4,025,137 A	5/1977	Wyler	
4,036,369 A	7/1977	Eisenberg	
4,155,312 A	5/1979	Thorkildson	
4,286,525 A	9/1981	Willmore	
4,469,231 A	9/1984	Hehn	
4,500,146 A	2/1985	Peterson	
4,713,949 A	12/1987	Wilcox	
4,760,800 A	8/1988	Hanson	
4,975,997 A	12/1990	Misiura et al.	
D332,717 S	1/1993	Wolfe, III	
5,291,700 A	3/1994	Chew	
5,339,747 A	8/1994	Epps	
5,415,472 A	5/1995	Brise	
D365,465 S *	12/1995	Kniefel	..... D6/641
5,478,145 A	12/1995	Kamachi	
D372,822 S *	8/1996	O'Brien	..... D6/513
5,564,962 A	10/1996	Navarrete Espinosa	

(Continued)

*Primary Examiner* — Kelley A Donnelly

(74) *Attorney, Agent, or Firm* — Morriss O'Bryant  
Compagni Cannon, PLLC

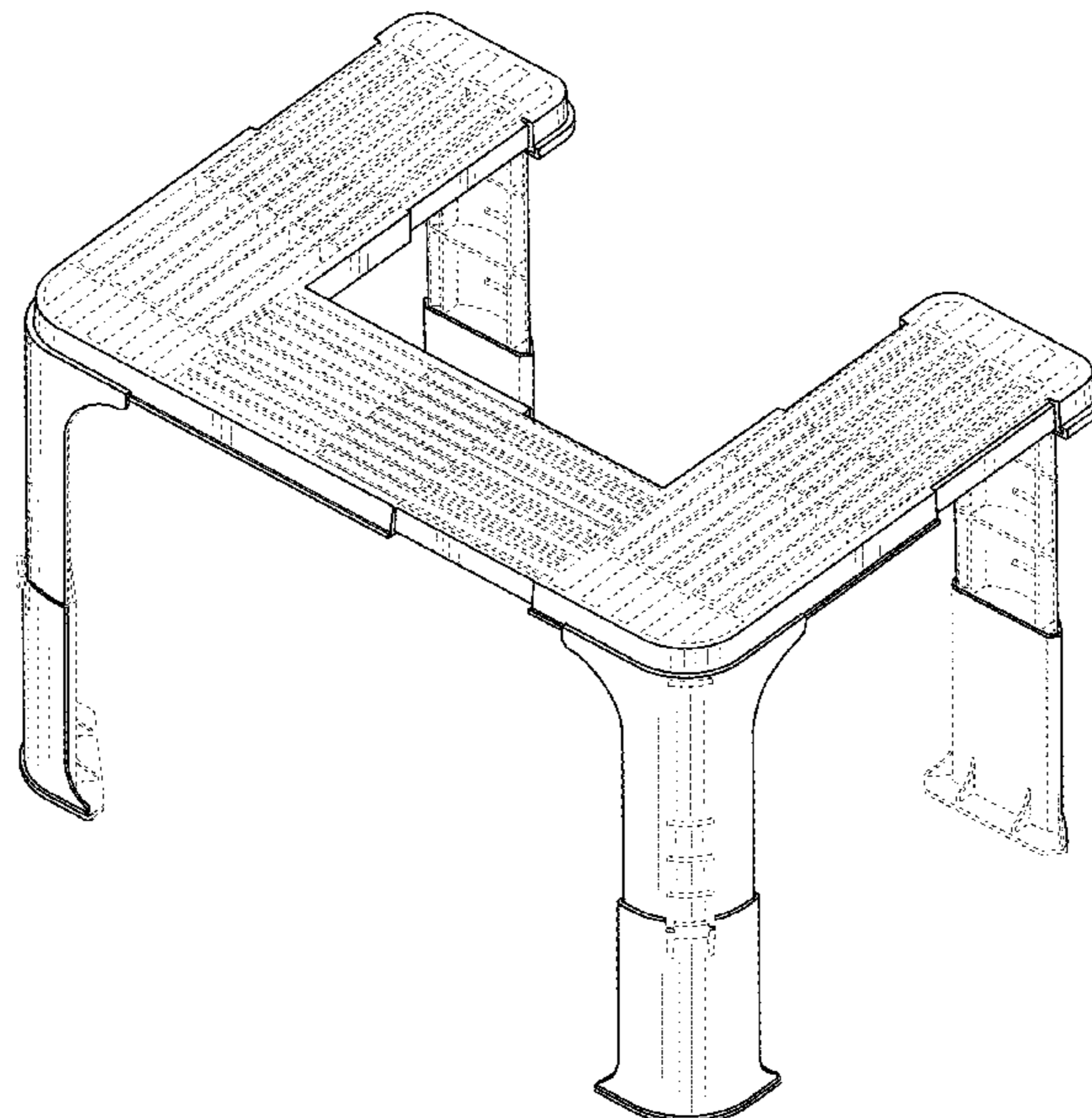
(57) **CLAIM**

The ornamental design for the adjustable shelf, as shown and described.

**DESCRIPTION**

FIG. 1 is a perspective view of the present invention; FIG. 2 is a front side view of the present invention; FIG. 3 is a back side view of the present invention; FIG. 4 is a left side view of the present invention; FIG. 5 is a right side view of the present invention; FIG. 6 is a top side view of the present invention; and, FIG. 7 is a bottom side view of the present invention. The broken lines in the drawings depict portions of the adjustable shelf that form no part of the claimed design.

**1 Claim, 4 Drawing Sheets**



(56)

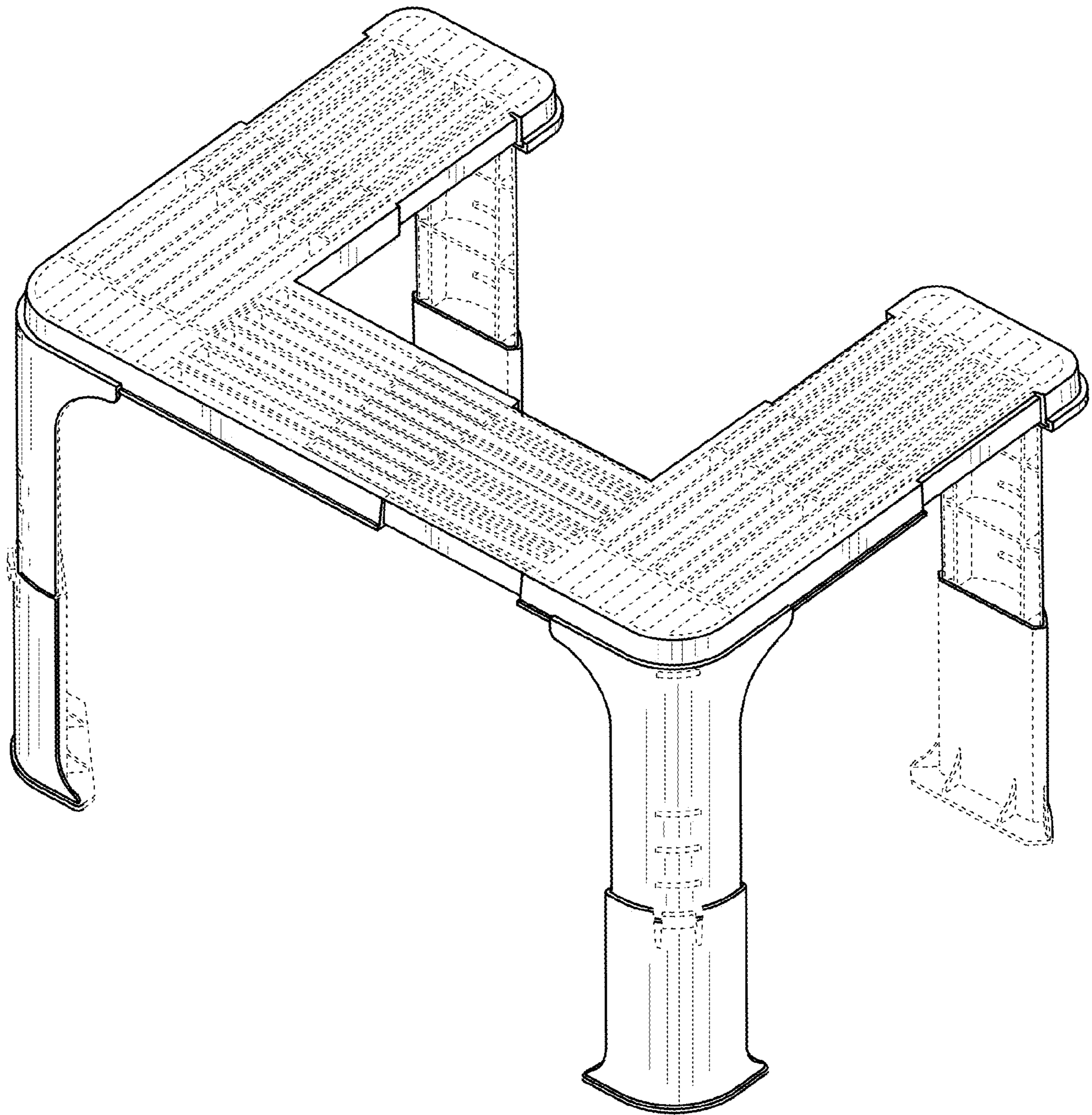
References Cited

U.S. PATENT DOCUMENTS

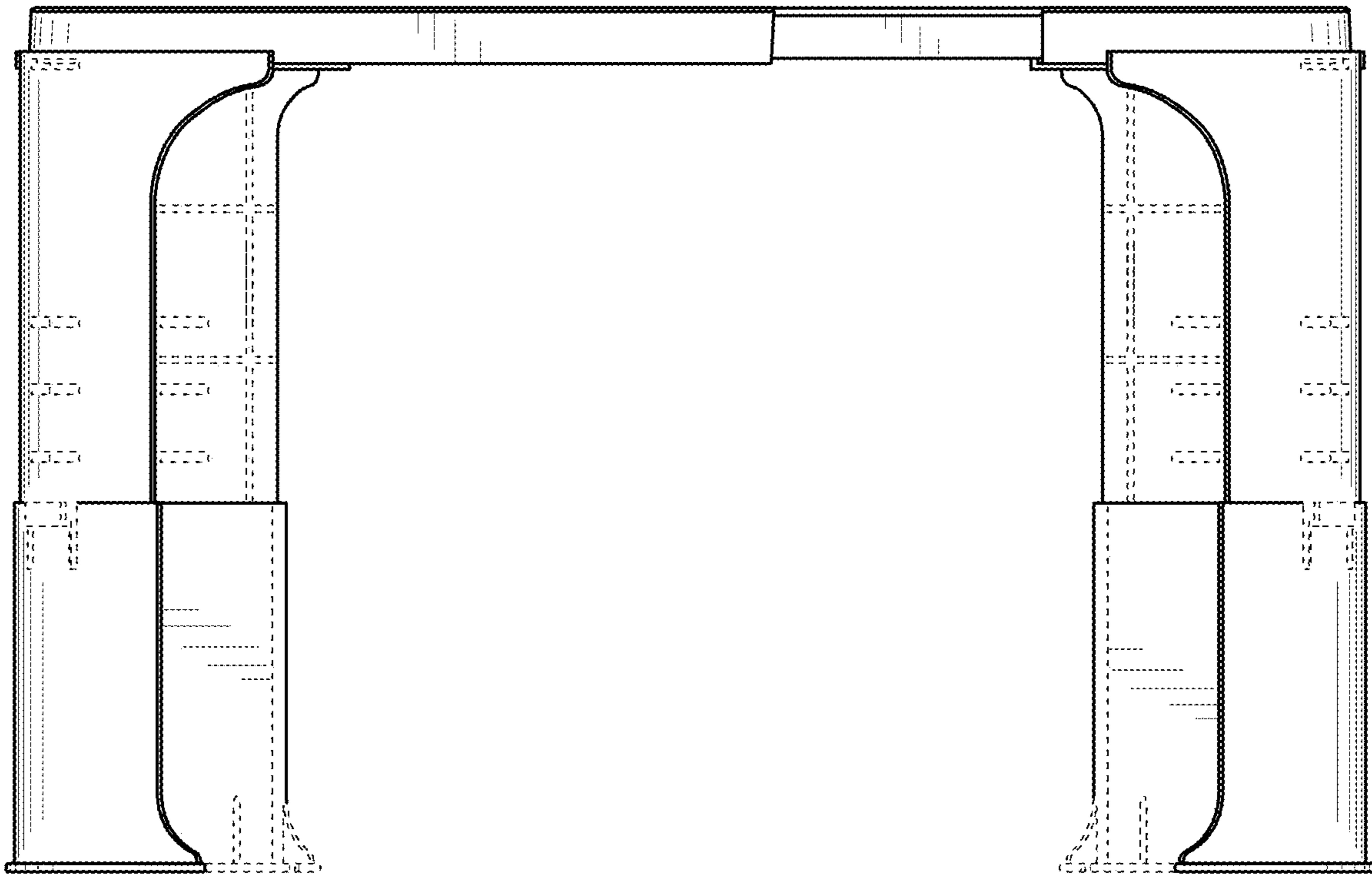
5,595,126 A 1/1997 Yeh  
 5,628,257 A 5/1997 Conner et al.  
 5,628,527 A 5/1997 Olson et al.  
 D393,316 S 4/1998 Simon  
 D398,458 S 9/1998 Martell  
 5,964,360 A 10/1999 Hwang  
 5,971,165 A 10/1999 Levins  
 6,019,331 A 2/2000 Hoogland et al.  
 6,036,286 A 3/2000 Krumholz  
 D423,840 S 5/2000 Carville et al.  
 6,085,668 A 7/2000 Kanki  
 6,142,316 A 11/2000 Harbour et al.  
 D443,434 S 6/2001 Tinsley  
 6,450,349 B2 9/2002 Lee  
 D474,920 S 5/2003 Holt  
 6,591,762 B1 7/2003 Haghayegh  
 6,623,956 B1 9/2003 Cecchi et al.  
 6,874,646 B2 4/2005 Jay  
 D510,821 S 10/2005 Madison  
 D518,979 S 4/2006 Petittclerc  
 7,204,569 B2 4/2007 Walburn  
 7,234,604 B2 6/2007 Eisele  
 7,237,686 B2 7/2007 Bertrand et al.  
 D609,500 S \* 2/2010 Fieldhouse ..... D6/678  
 D627,989 S 11/2010 Geoffrey  
 D629,222 S 12/2010 Kay  
 D629,627 S 12/2010 Mylet  
 D630,459 S \* 1/2011 Millspaugh ..... D6/574  
 7,987,799 B2 8/2011 Lange et al.  
 D652,222 S 1/2012 Edwards  
 8,316,486 B2 11/2012 Tipperreiter  
 8,333,158 B2 12/2012 Wise  
 D677,478 S 3/2013 Edwards et al.  
 D677,960 S 3/2013 Kullman  
 D678,887 S 3/2013 Stravitz  
 D691,404 S 10/2013 Baum  
 D696,540 S \* 12/2013 Dart ..... D6/705.1  
 D698,163 S \* 1/2014 Edwards ..... D6/349  
 D710,980 S 8/2014 Pollard, Jr.

D716,065 S 10/2014 Hubbard, Jr.  
 9,010,552 B2 4/2015 Dart et al.  
 D746,087 S \* 12/2015 Dart ..... D6/678.1  
 9,198,513 B2 12/2015 Dart et al.  
 9,220,341 B2 12/2015 Dart et al.  
 9,335,089 B1 5/2016 Gossens  
 D778,648 S 2/2017 Johnson et al.  
 D785,386 S \* 5/2017 Flaherty ..... D6/707.15  
 9,717,337 B2 8/2017 Dart et al.  
 D832,623 S \* 11/2018 Flaherty ..... D6/655  
 D834,862 S \* 12/2018 Dart ..... D6/705  
 D898,489 S \* 10/2020 Dart ..... D6/678  
 D899,159 S \* 10/2020 Dart ..... D6/678  
 10,881,198 B1 \* 1/2021 Chaoyi ..... A47B 45/00  
 D932,818 S \* 10/2021 Dart ..... D6/678  
 D933,404 S \* 10/2021 Dart ..... D6/678.1  
 D943,314 S \* 2/2022 Guzman ..... D6/654  
 2001/0052505 A1 \* 12/2001 Lee ..... B65G 11/143  
 211/74  
 2004/0094143 A1 5/2004 Bartley  
 2004/0159622 A1 8/2004 Craft et al.  
 2004/0164655 A1 8/2004 Wood et al.  
 2006/0207957 A1 9/2006 Chen  
 2008/0053940 A1 3/2008 Whalen et al.  
 2009/0230070 A1 9/2009 Anderson et al.  
 2010/0264104 A1 10/2010 Winter  
 2012/0037583 A1 2/2012 Wise  
 2012/0180302 A1 7/2012 Lopez, Jr.  
 2012/0223038 A1 \* 9/2012 Bean ..... A47B 96/021  
 29/527.1  
 2015/0068999 A1 3/2015 Dart et al.  
 2016/0106210 A1 4/2016 Kassanoff et al.  
 2016/0146531 A1 5/2016 Gossens  
 2016/0206090 A1 \* 7/2016 Feeley ..... A47B 21/0314  
 2018/0132608 A1 5/2018 Benden  
 2018/0279773 A1 \* 10/2018 Rink ..... F16M 13/022  
 2019/0328129 A1 \* 10/2019 Namala ..... A47B 9/20  
 2020/0093259 A1 3/2020 Verhappen  
 2020/0146440 A1 5/2020 Fogarty et al.  
 2021/0235862 A1 8/2021 Dart et al.

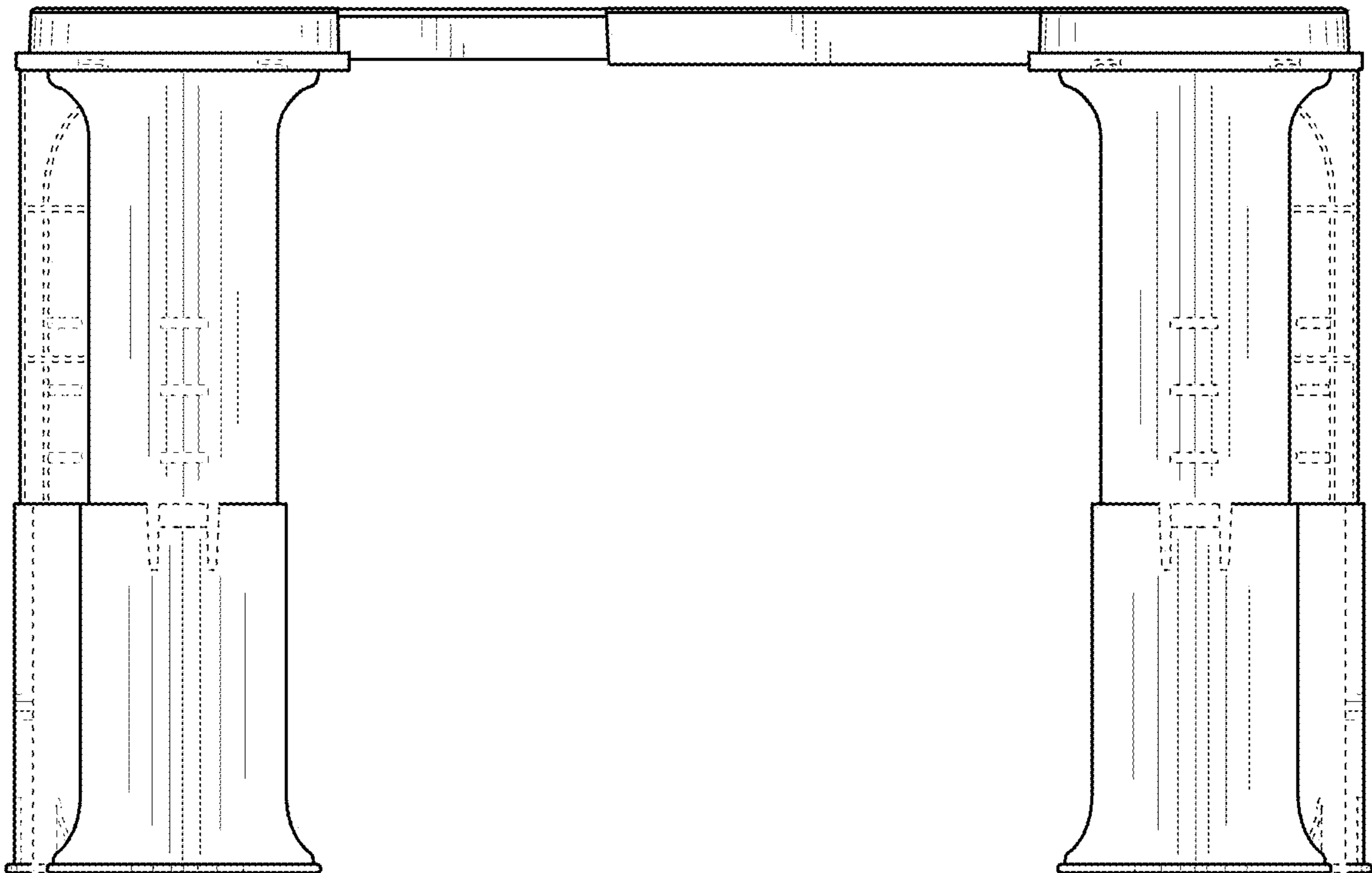
\* cited by examiner



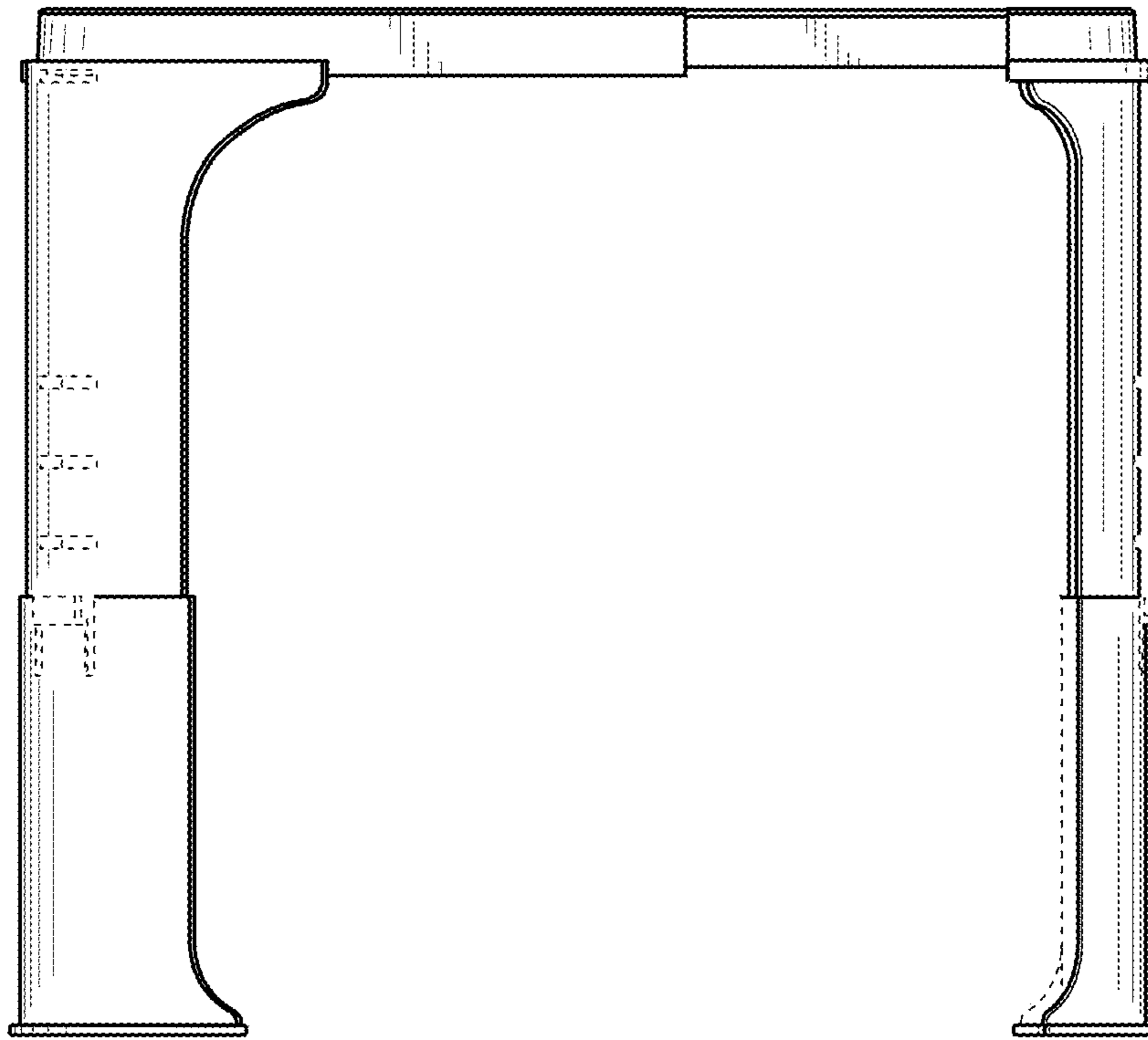
**FIG. 1**



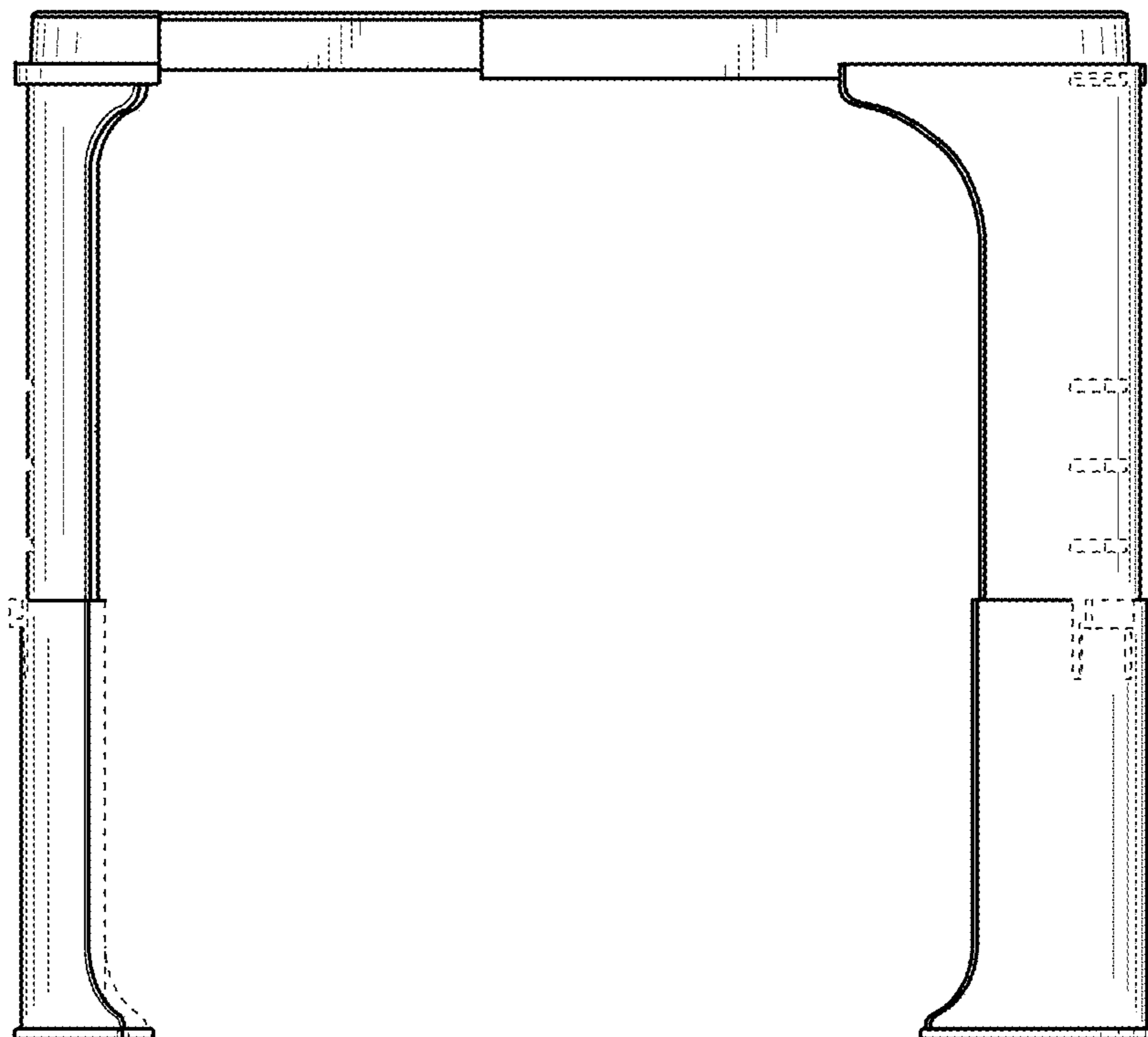
**FIG. 2**



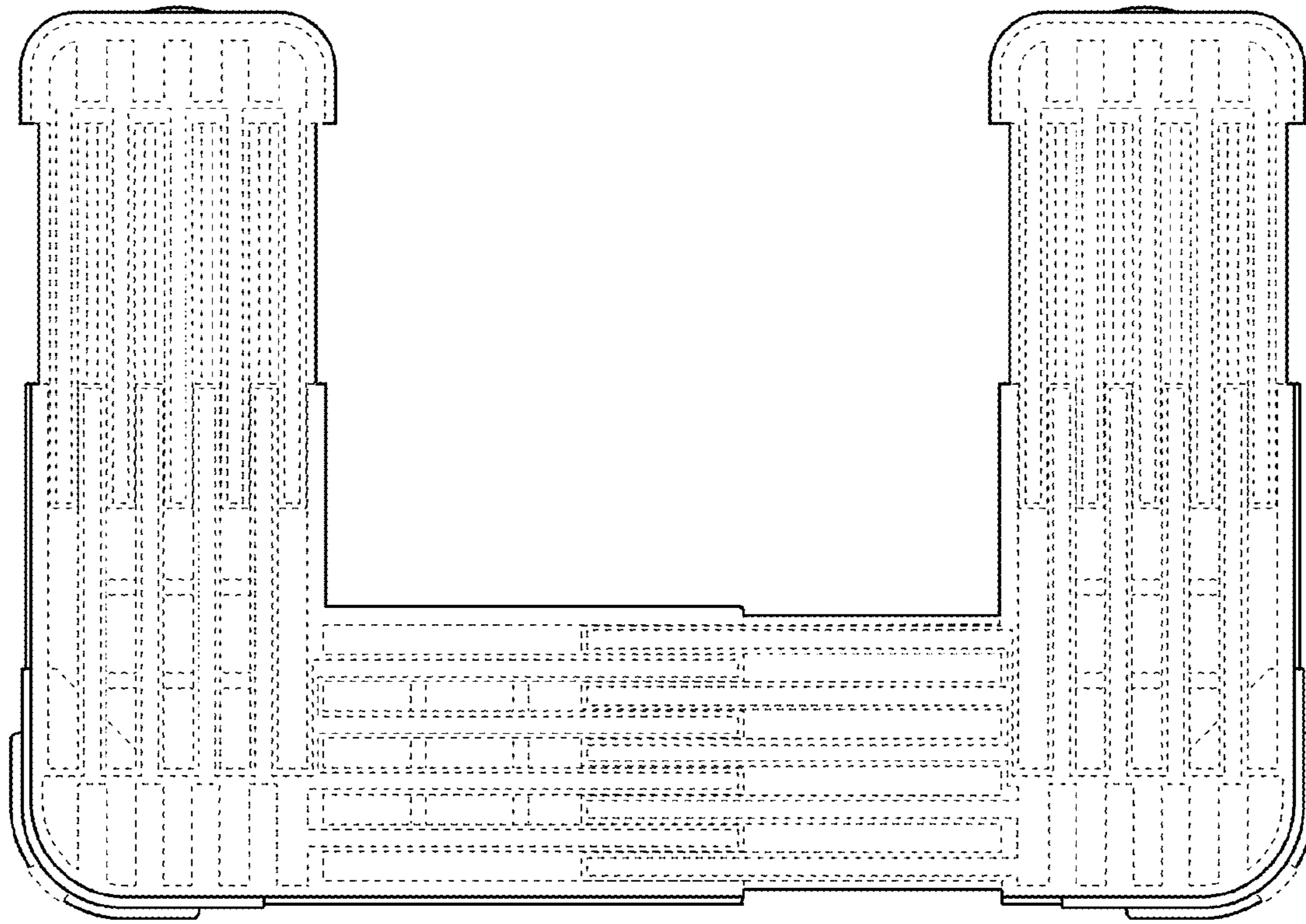
**FIG. 3**



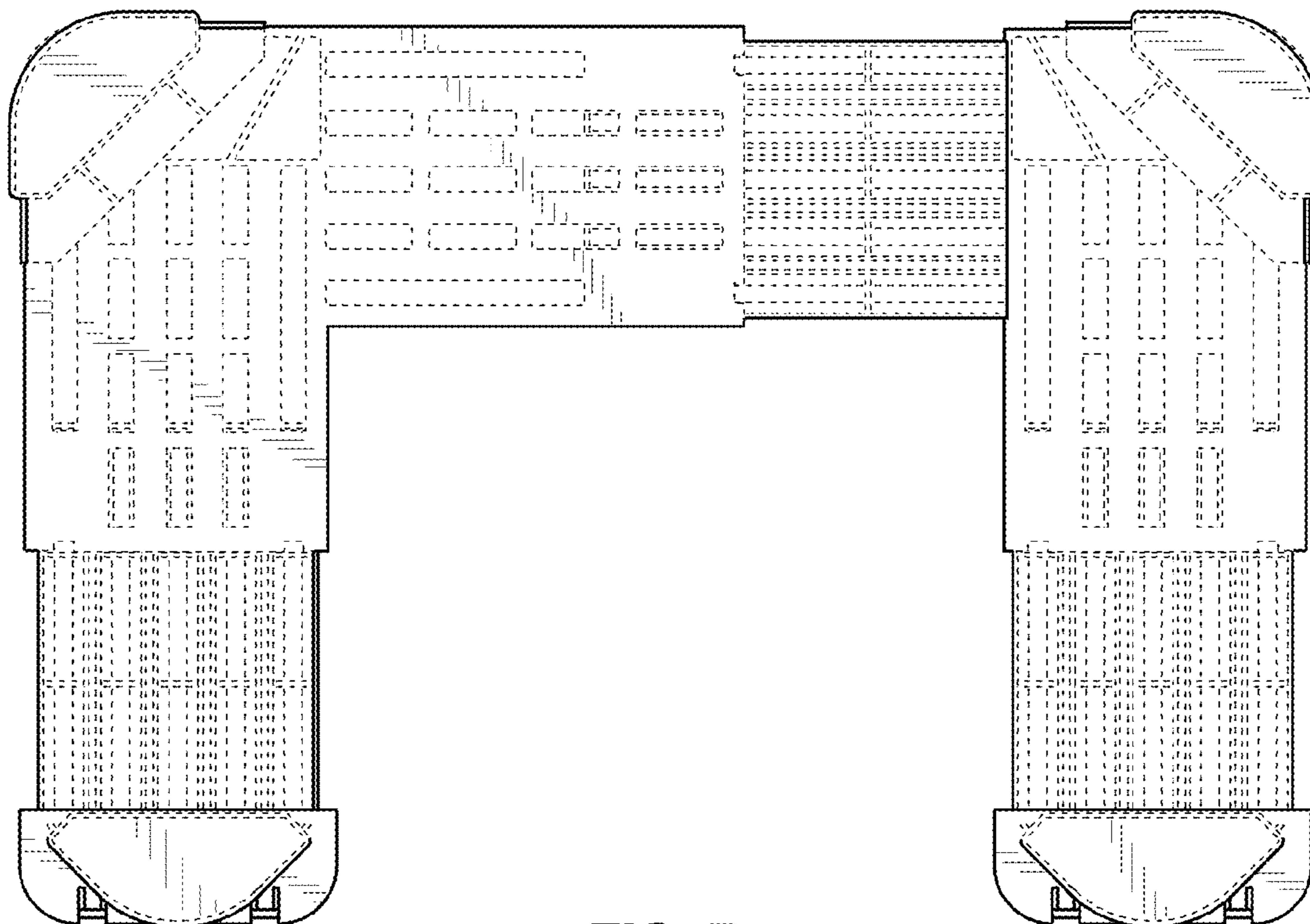
**FIG. 4**



**FIG. 5**



**FIG. 6**



**FIG. 7**