



US00D985316S

(12) **United States Design Patent** (10) **Patent No.:** **US D985,316 S**
Mayers (45) **Date of Patent:** **** May 9, 2023**

- (54) **DISPLAY STAND**
- (71) Applicant: **BERENSON CORP.**, Buffalo, NY (US)
- (72) Inventor: **Kayla Mayers**, Buffalo, NY (US)
- (73) Assignee: **BERENSON CORP.**, Buffalo, NY (US)
- (**) Term: **15 Years**
- (21) Appl. No.: **29/867,781**
- (22) Filed: **Nov. 8, 2022**

Related U.S. Application Data

- (62) Division of application No. 29/809,111, filed on Sep. 24, 2021, now Pat. No. Des. 968,856.
- (51) **LOC (14) Cl.** **06-04**
- (52) **U.S. Cl.**
USPC **D6/672**
- (58) **Field of Classification Search**
USPC D6/672, 675, 677, 677.1, 677.2, 677.3,
D6/677.4, 677.5, 681, 681.1, 681.2;
D20/10, 41, 42
CPC A47F 5/00; A47F 5/0018; A47F 5/0031;
A47F 5/0043; A47F 5/0081; A47F 5/01;
A47F 5/10; A47F 5/12; A47F 5/13; A47F
7/14
See application file for complete search history.

(56) **References Cited**

U.S. PATENT DOCUMENTS

- 1,746,778 A * 2/1930 Kilgore A47F 7/148
211/52
- D252,299 S * 7/1979 Marshall D6/678.3
- D276,777 S * 12/1984 Evenson D19/91
- 5,009,335 A * 4/1991 Jonker A47F 7/145
D34/17
- D347,129 S * 5/1994 Zinke D6/682.2

- D356,907 S * 4/1995 Jernigan D6/682.6
- D358,508 S * 5/1995 Levine D6/678.4
- D396,065 S * 7/1998 Johnson D20/41
- D433,846 S * 11/2000 Chang D6/675.3
- D476,508 S * 7/2003 Chang D6/675.3
- D478,582 S * 8/2003 Becker D14/302
- D495,172 S * 8/2004 Brownfield D6/672
- D505,572 S * 5/2005 Chang D6/675.3
- D532,219 S * 11/2006 Sandler D6/678.4
- D565,044 S * 3/2008 Witts D14/307
- D578,804 S * 10/2008 Norman D6/675.1
- D608,115 S * 1/2010 Trinh D6/675.1
- D613,094 S * 4/2010 Wade D6/678.3
- D635,377 S * 4/2011 Rodgers A47F 7/148
D6/675.3
- D635,800 S * 4/2011 Rodgers D6/681.2
- D636,197 S * 4/2011 Lee D6/709.2
- D643,228 S * 8/2011 Strempack D6/682.2
- D645,905 S * 9/2011 Liang D19/90
- D645,906 S * 9/2011 Yi D19/90
- D650,013 S * 12/2011 Yi A47F 5/08
D19/90

(Continued)

Primary Examiner — Steven J Czyz

(74) *Attorney, Agent, or Firm* — Hodgson Russ LLP

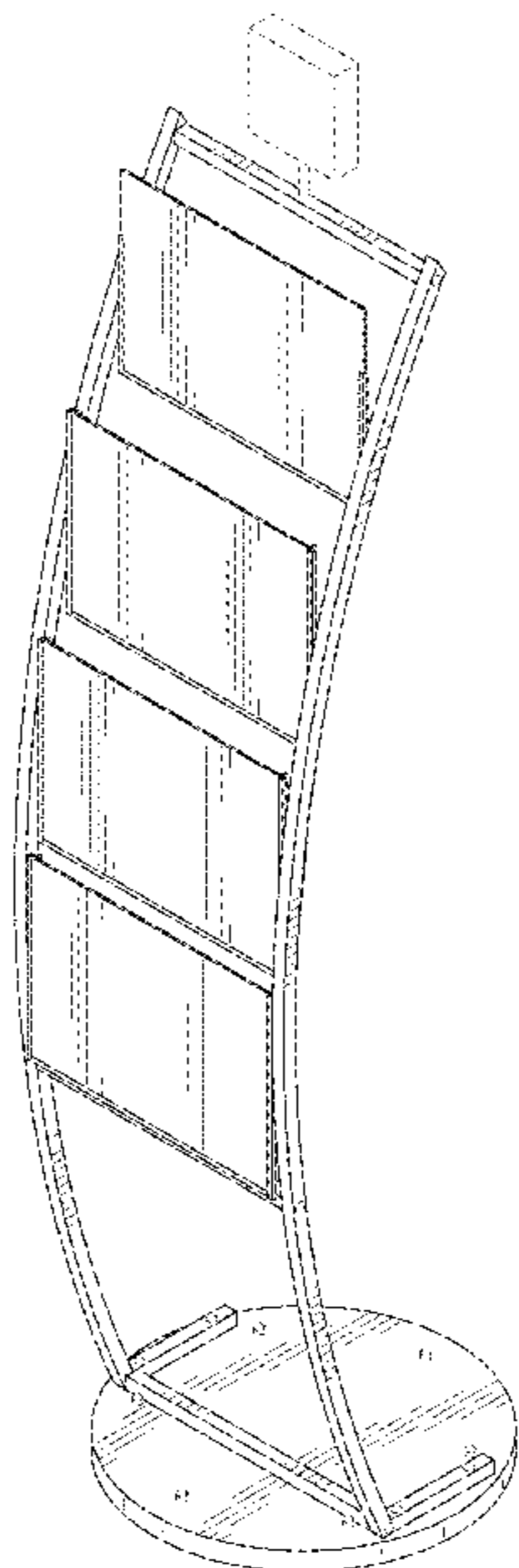
(57) **CLAIM**

The ornamental design for a display stand, as shown and described.

DESCRIPTION

FIG. 1 is a perspective view of a display stand; FIG. 2 is a front elevation view thereof; FIG. 3 is a rear elevation view thereof; FIG. 4 is a left side elevation view thereof; FIG. 5 is a right side elevation view thereof; and, FIG. 6 is a top plan view thereof. The broken lines in the figures illustrate portions of the display stand that form no part of the claimed design.

1 Claim, 4 Drawing Sheets



(56)

References Cited

U.S. PATENT DOCUMENTS

D668,476 S * 10/2012 Carlshamre D6/683.1
D679,329 S * 4/2013 Stravitz D19/90
D713,877 S * 9/2014 Kuehn D19/90
D752,372 S * 3/2016 Huff D6/678.4
D804,224 S * 12/2017 Robins D6/675.4
D809,324 S * 2/2018 Robins D6/675.4
D825,234 S * 8/2018 He D6/675.4
D878,832 S * 3/2020 Cohen D6/677
D906,025 S * 12/2020 Bell D6/675.1
D924,222 S * 7/2021 Lee D14/307
D945,802 S * 3/2022 Bell D6/675.1
D968,856 S * 11/2022 Mayers D6/672
2011/0278245 A1 * 11/2011 Noble Colin A47F 5/0087
211/59.2
2020/0245783 A1 * 8/2020 Smithson H05K 5/0017
2022/0139272 A1 * 5/2022 Santarelli A47F 5/08
40/606.01

* cited by examiner

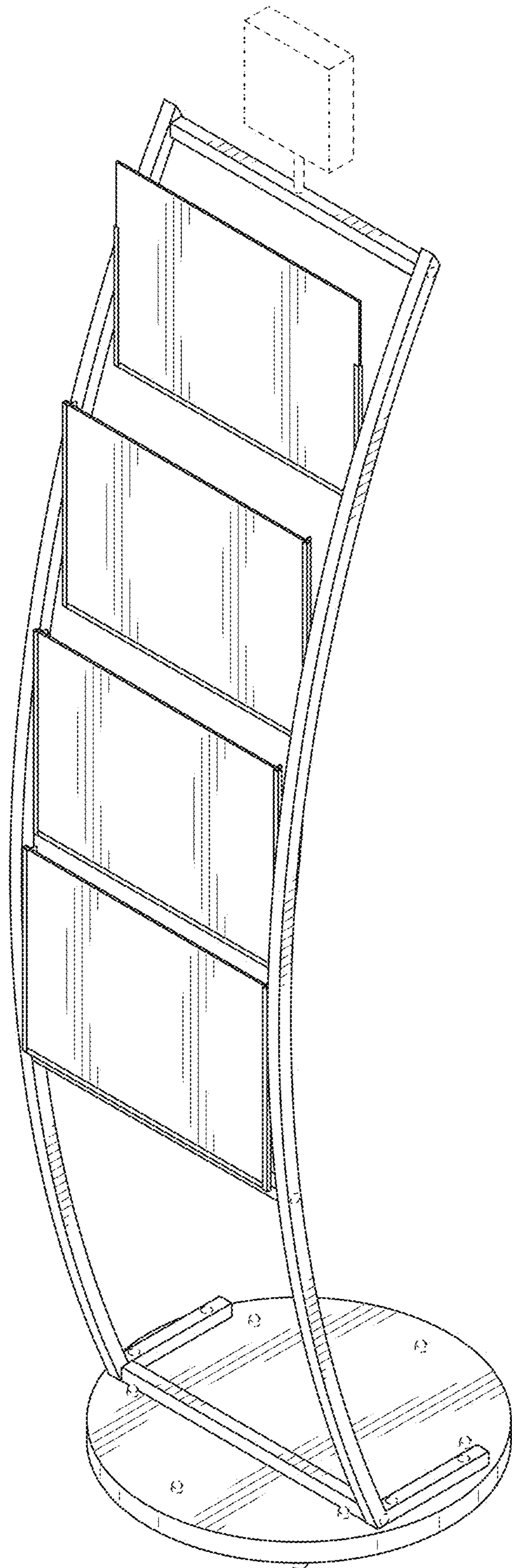


FIG. 1

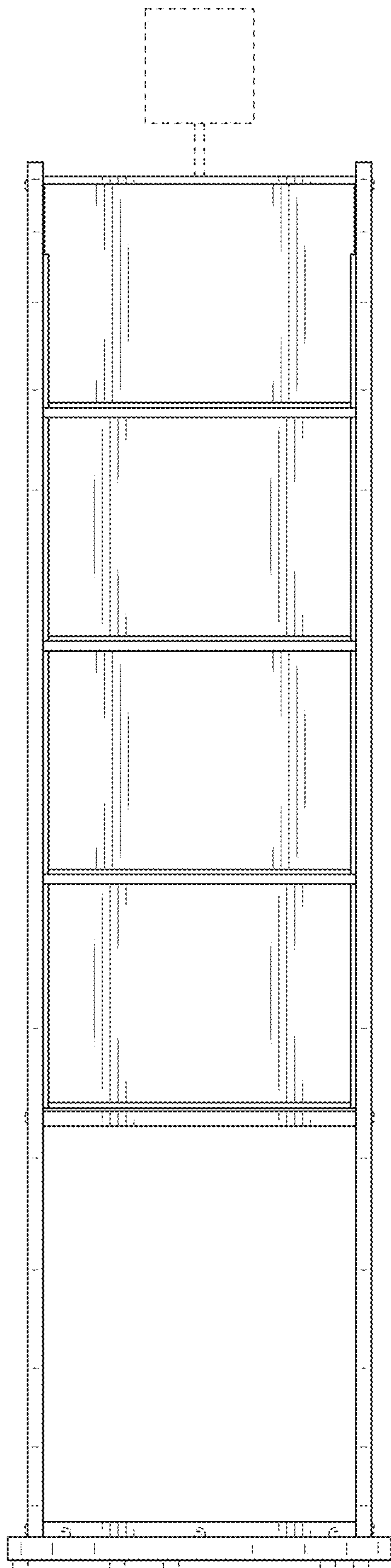


FIG. 2

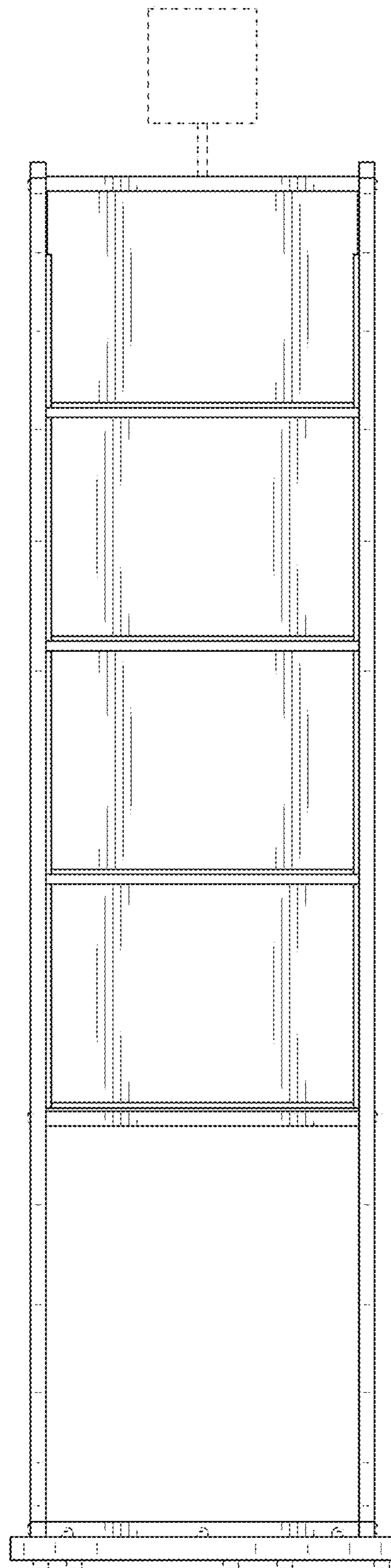


FIG. 3

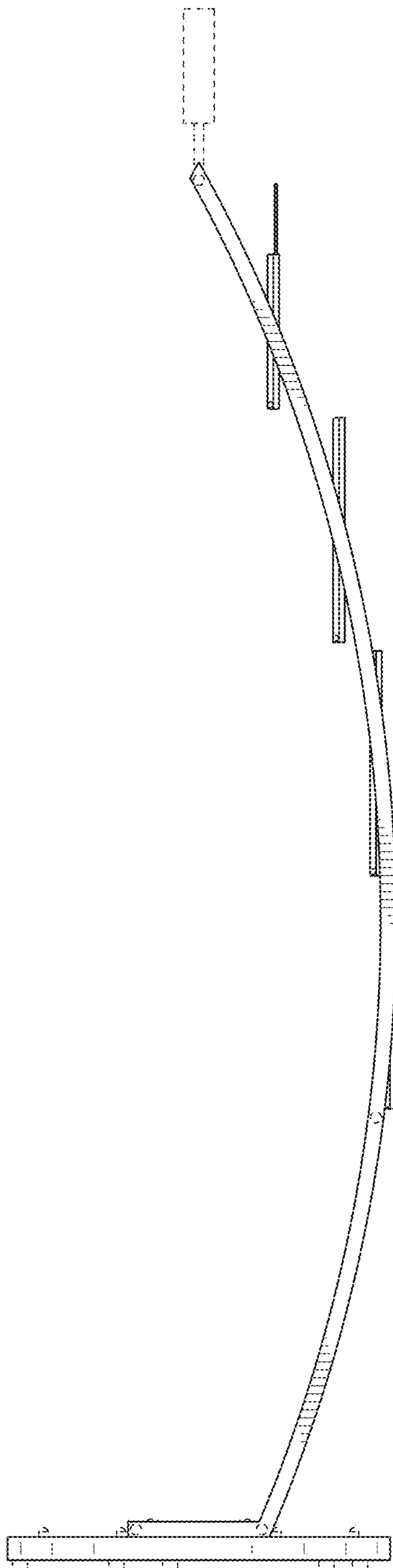


FIG. 4

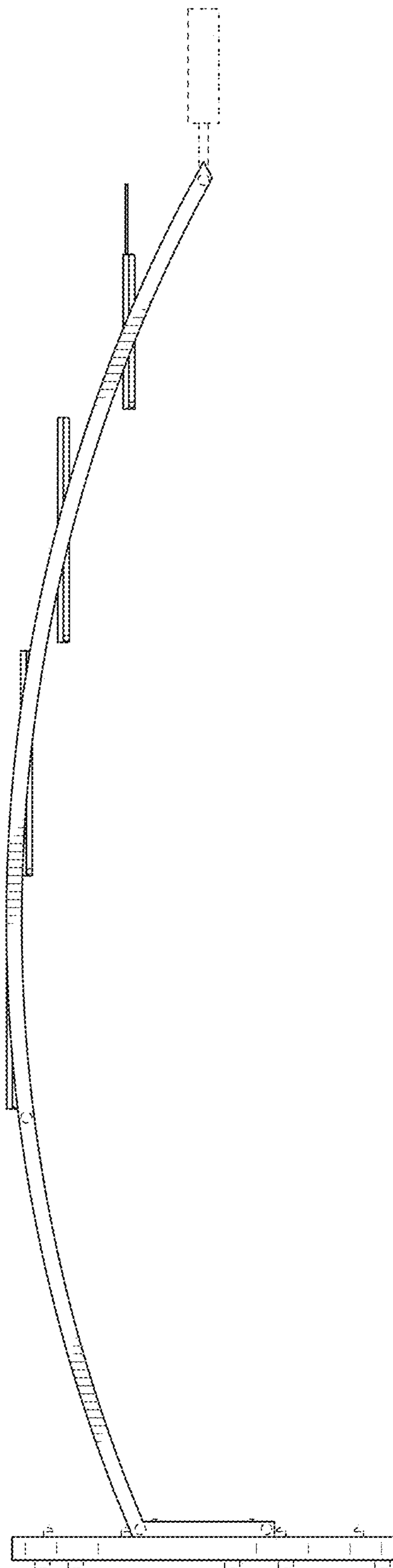


FIG. 5

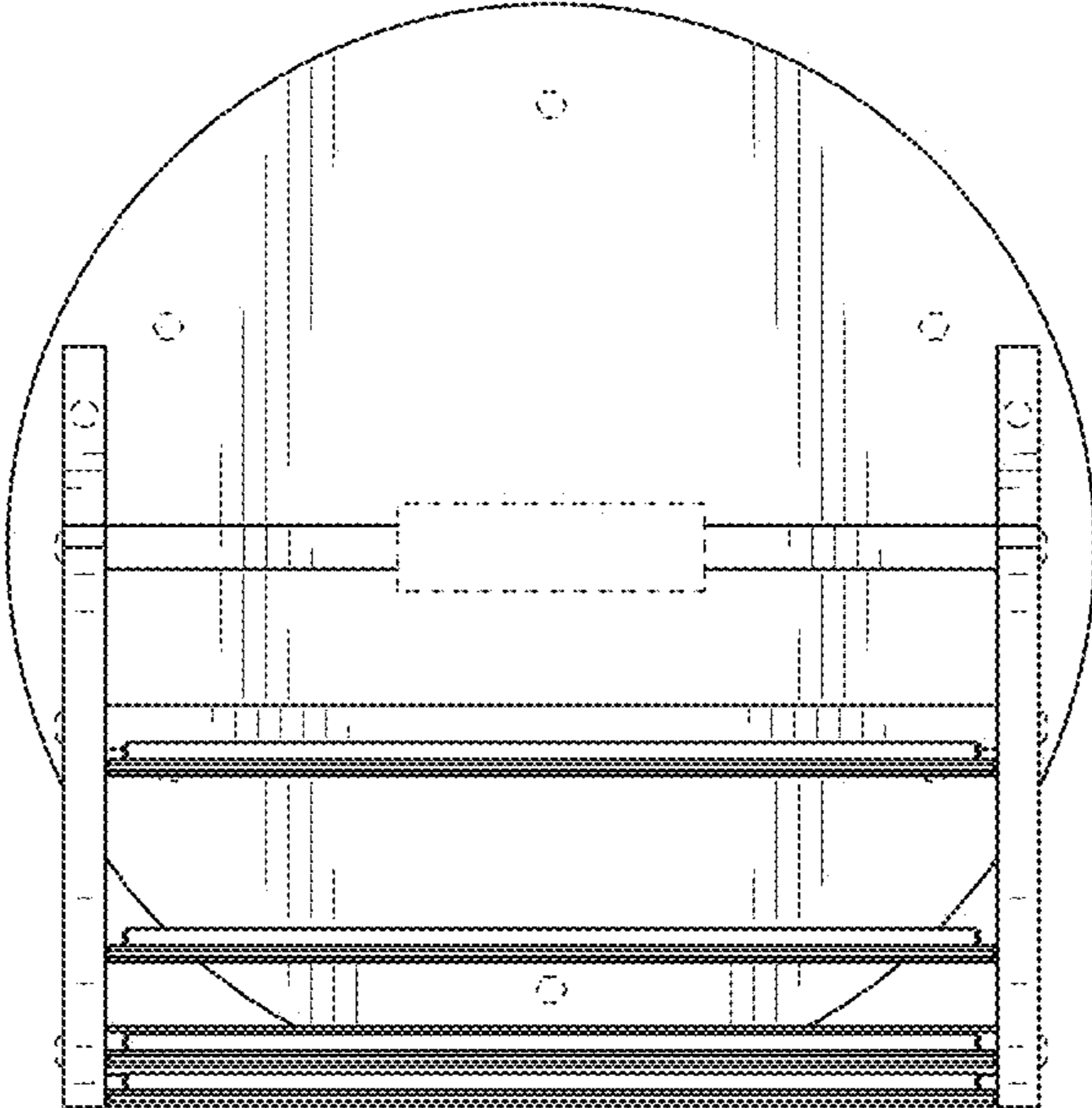


FIG. 6