



US00D985314S

(12) **United States Design Patent**
Iwasaki

(10) **Patent No.:** **US D985,314 S**

(45) **Date of Patent:** **** May 9, 2023**

- (54) **DESK**
- (71) Applicant: **Lakeshore Learning Materials, LLC**,
Carson, CA (US)
- (72) Inventor: **Kirk Iwasaki**, Cypress, CA (US)
- (73) Assignee: **Lakeshore Learning Materials, LLC**,
Carson, CA (US)

5,622,119 A 4/1997 Hsieh
 D612,169 S * 3/2010 Chang D6/656.13
 7,810,778 B1 * 10/2010 Chang A47B 9/00
 248/410
 D638,637 S 5/2011 Foley
 D641,997 S 7/2011 Phillips
 D649,369 S * 11/2011 Benden D6/338
 D683,980 S 6/2013 Johnson
 D694,044 S 11/2013 Copeland
 (Continued)

- (**) Term: **15 Years**
- (21) Appl. No.: **29/845,952**
- (22) Filed: **Jul. 12, 2022**

Related U.S. Application Data

- (63) Continuation of application No. 29/722,766, filed on
Jan. 31, 2020, now Pat. No. Des. 960,612.
- (51) **LOC (14) Cl.** **06-03**
- (52) **U.S. Cl.**
USPC **D6/656.16**
- (58) **Field of Classification Search**
USPC D6/685, 686, 691, 691.1, 691.3, 691.5,
D6/691.6, 641, 642, 643.1, 644, 656,
D6/656.1, 656.11, 656.12, 656.13, 656.16
CPC .. A47B 3/00; A47B 3/002; A47B 3/12; A47B
3/083; A47B 3/07; A47B 9/00; A47B
13/00; A47B 13/02; A47B 13/04; A47B
13/06; A47B 13/08; A47B 17/00; A47B
19/00; A47B 21/00; A47B 22/001; A47B
2200/0011; A47B 2200/002
See application file for complete search history.

(56) **References Cited**

U.S. PATENT DOCUMENTS

- D235,834 S * 7/1975 Payne D6/691.5
- D273,163 S * 3/1984 Halme D6/655.19
- D308,922 S 7/1990 Ng et al.
- D376,931 S 12/1996 Fewchuk

OTHER PUBLICATIONS

Flex-Space Moblie Standing Desk for Two by Lakeshore, first available: Unknown. Lakeshorelearning.com [online], [site visited Jan. 9, 2023], Internet URL: <https://www.lakeshorelearning.com/products/classroom-furniture/tables-desks/flex-space-mobile-standing-desk-for-two-modern-maple/p/LK572> (Year: 2023).*

(Continued)

Primary Examiner — Mary Ann Calabrese
Assistant Examiner — Hillary Catherine Shepard
 (74) *Attorney, Agent, or Firm* — Banner & Witcoff, Ltd.

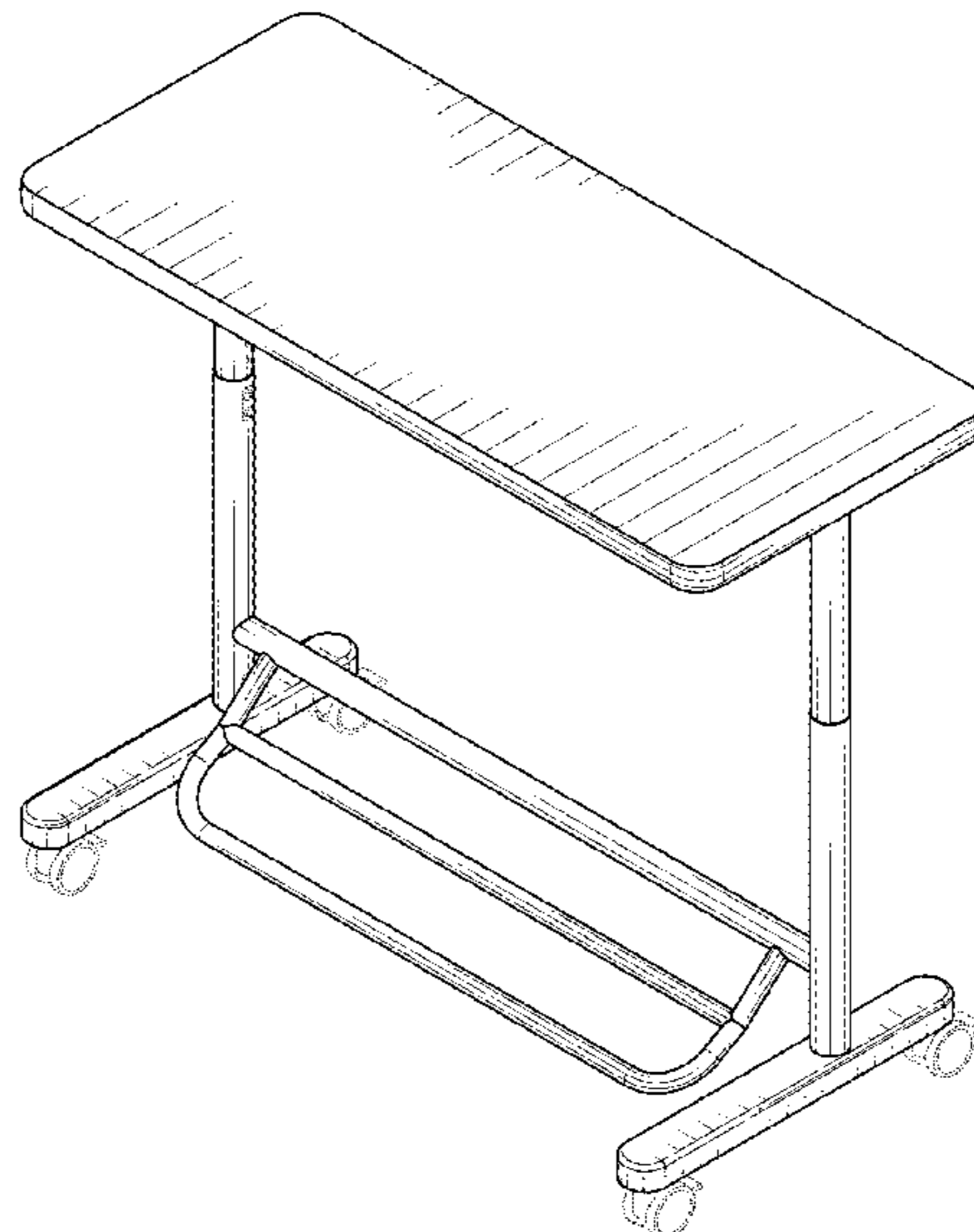
(57) **CLAIM**

The ornamental design for a desk, as shown and described.

DESCRIPTION

FIG. 1 is a top, front, right perspective view of a desk showing my new design;
 FIG. 2 is a front view thereof;
 FIG. 3 is a rear view thereof;
 FIG. 4 is a left side view thereof;
 FIG. 5 is a right side view thereof;
 FIG. 6 is a top view thereof; and,
 FIG. 7 is a bottom, rear, left perspective view thereof.
 The broken lines showing the circular unshaded regions within the shaded area represent screw holes that form no part of the claimed design. The broken lines depicting the remainder of the table form no part of the claimed design.

1 Claim, 6 Drawing Sheets



(56)

References Cited

U.S. PATENT DOCUMENTS

D728,433 S * 5/2015 Nishida D12/128
 D737,602 S 9/2015 Riley
 9,149,111 B1 10/2015 Lin
 D743,718 S * 11/2015 Tempas D6/655.21
 9,254,037 B2 * 2/2016 Benden G09F 7/18
 D770,814 S 11/2016 Davidson et al.
 D774,322 S 12/2016 Schmauch et al.
 D784,049 S * 4/2017 Labrosse D6/650
 9,700,135 B2 * 7/2017 Herring A47B 13/00
 D850,175 S 6/2019 Lin
 D850,176 S 6/2019 Lin
 D850,833 S 6/2019 Gevaert et al.
 D851,972 S 6/2019 Reyes
 D867,784 S 11/2019 Stanton
 D874,859 S 2/2020 Reyes
 D960,611 S * 8/2022 Iwasaki D6/656.13
 D960,612 S * 8/2022 Iwasaki D6/656.16
 D973,398 S * 12/2022 Leng D6/656.17
 2006/0090675 A1 * 5/2006 Mangano A47B 3/002
 108/115
 2007/0045485 A1 * 3/2007 Nichols A47B 13/086
 248/118
 2012/0138113 A1 * 6/2012 Spinabella A47B 97/00
 108/50.14
 2014/0008943 A1 * 1/2014 Benden G09F 7/18
 40/620
 2014/0123882 A1 * 5/2014 Kassanoff A47B 87/002
 108/26
 2019/0150609 A1 5/2019 Salehi et al.

OTHER PUBLICATIONS

“Mobile Standing Desk on Wheels”; standupworkstyle; retrieved Jan. 31, 2020; disclosure date unknown but prior to the filing date of the present application; URL: <<http://www.standupworkstyle.com/standing-desk/mobile-standing-desk-on-wheels/>>.

“Crank Adjustable—Height Standing Desk”; stand up desk store; retrieved Jan. 31, 2020; disclosure date unknown but prior to the filing date of the present application; URL: <<https://www.standupdeskstore.com/60-crank-adjustable-sit-to-stand-desk-white-frame-gloss-white-top>>.

“KidsFit Kinesthetic Classroom ABC Standing Desk with Footrest Bar”; Rehabmart; retrieved Jan. 31, 2020; disclosure date unknown but prior to the filing date of the present application; URL: <<https://www.rehabmart.com/product/kidsfit-kinesthetic-classroom-abc-standing-desk-with-footrest-bar-47453.html>>.

“Stand2Learn™ Desk for Two 5-12”; Varidesk; retrieved Jan. 31, 2020; disclosure date unknown but prior to the filing date of the present application; URL: <<https://www.varidesk.com/products/student-standing-desk-two-5-12>>.

“Stand2Learn™ Desk K-5”; Varidesk; retrieved Jan. 31, 2020; disclosure date unknown but prior to the filing date of the present application; URL: <<https://www.varidesk.com/products/student-standing-desk-k-5>>.

“SmartStudy Adjustable Standing Desks”; Moving Minds; retrieved Jan. 31, 2020; disclosure date unknown but prior to the filing date of the present application; URL: <<https://www.moving-minds.com/classroom/desks/smartstudy-adjustable-standing-desks>>.

Flex Space Mobile Standing Desk by Lakeshore, first available: Unknown, Lakeshorelearning.com [online], \site visited [Mar. 30, 2022], Internet URL: <https://www.lakeshorelearning.com/products/classroom-furniture/tables-desks/flex-space-mobile-standing-desk-modern-maple/p/LK571> (Year: 2022).

Pink Height Adjustable Children’s Desk by VIVO Store, first available: Oct. 29, 2015. Amazon.com [online], [site visited Mar. 30, 2022], Internet URL: https://www.amazon.com/VIVO-Height-Adjustable-Childrens-Chair/dp/B017J3PE6K/ref=sr_1_1_sspa?th=1 (Year: 2015).

28" Student Desk by Safco AlphaBetter, first available: May 4, 2021. Staples.com [online], [site visited Mar. 30, 2022], Internet URL: https://www.staples.com/safco-alphabeter-28-student-desk-pebble-gray-1221gr/product_24488063 (Year: 2021).

* cited by examiner

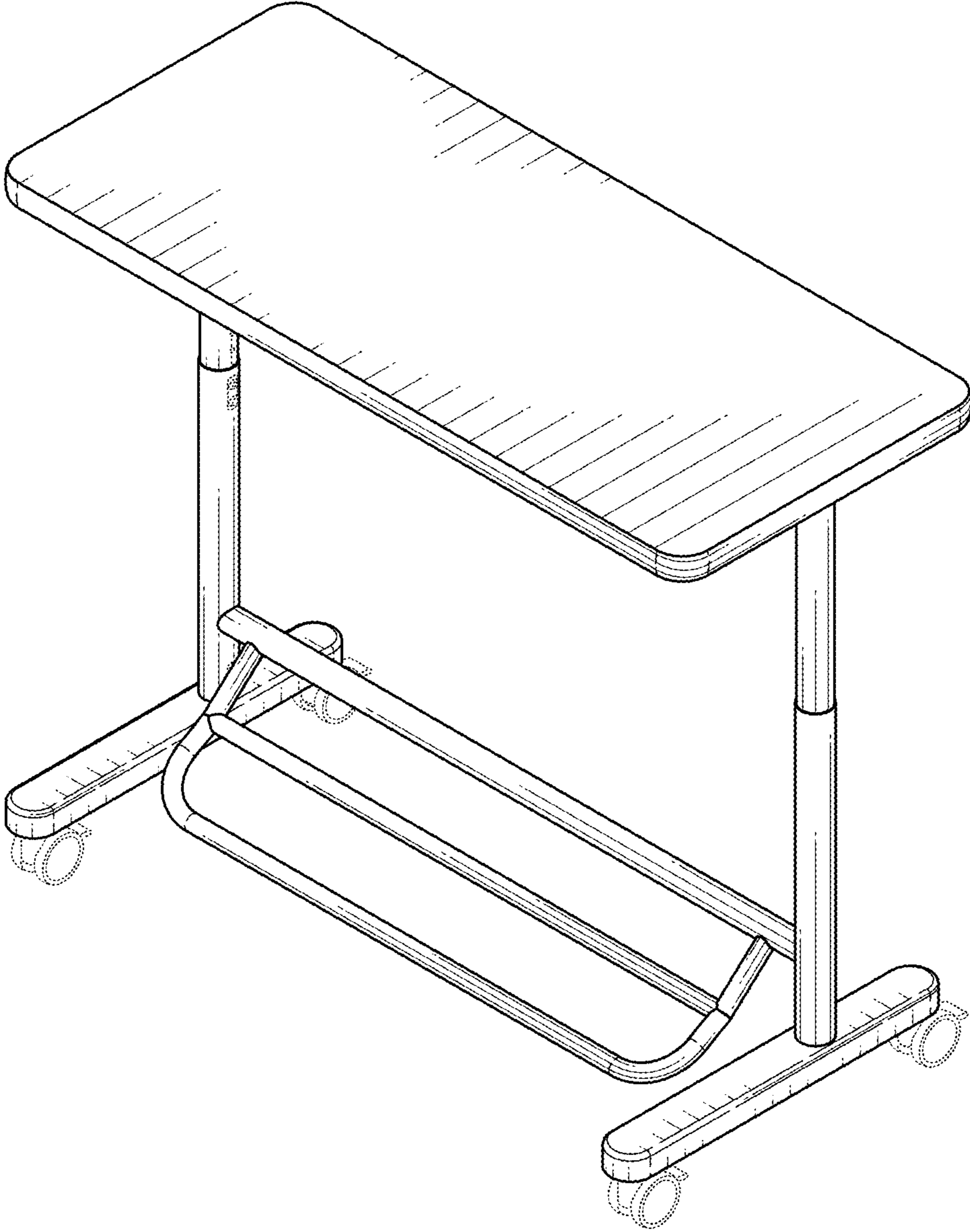


FIG. 1

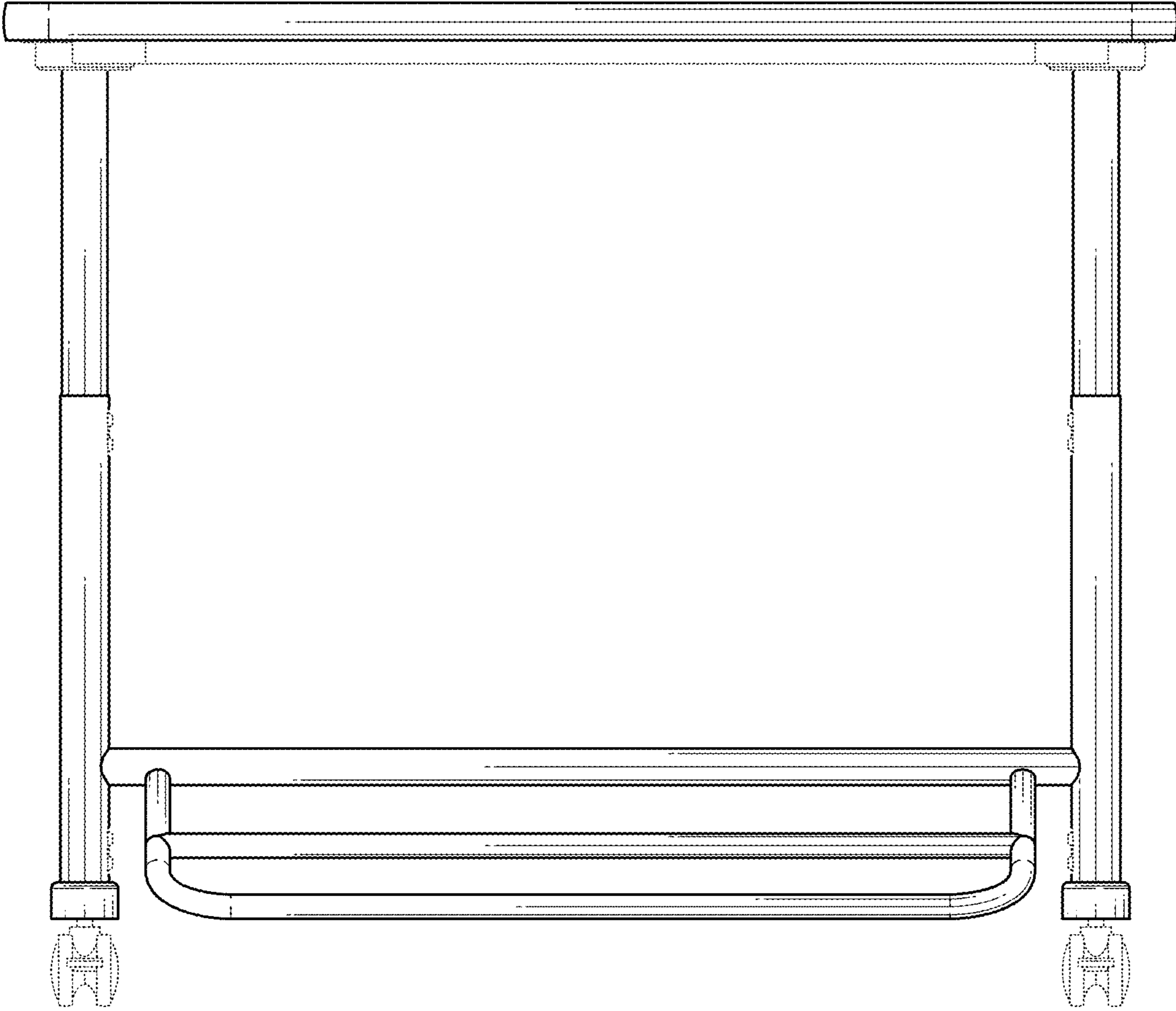


FIG. 2

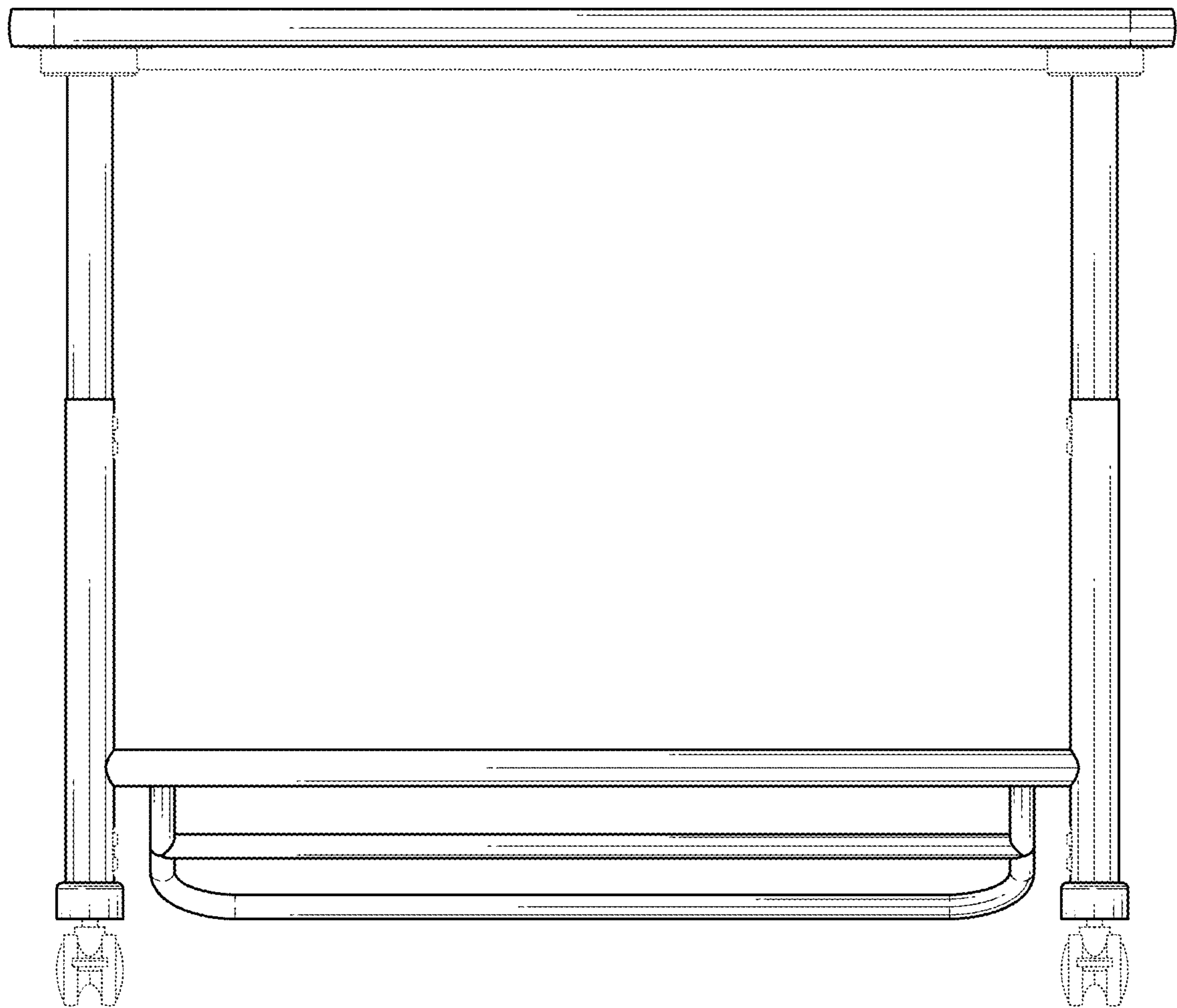


FIG. 3

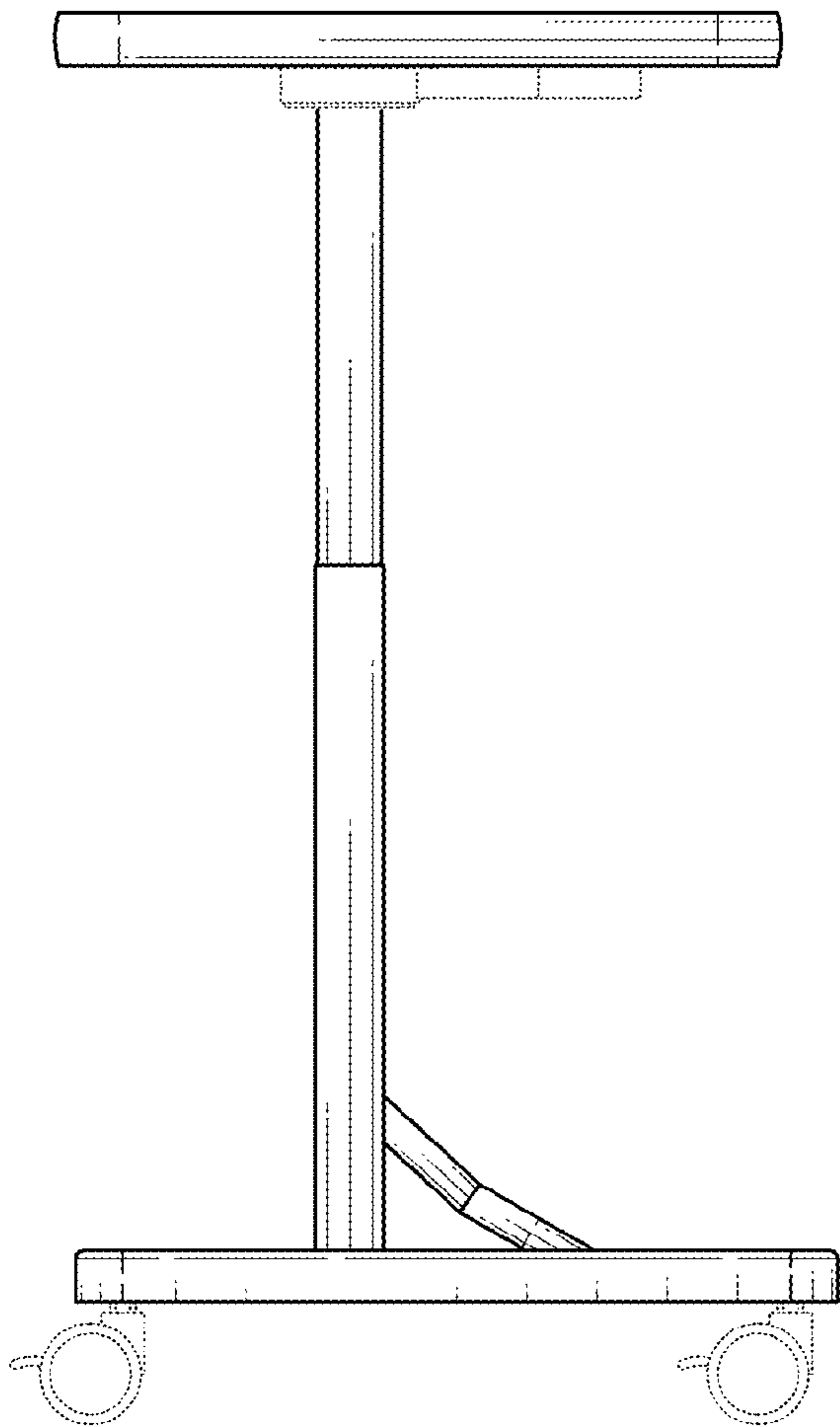


FIG. 4

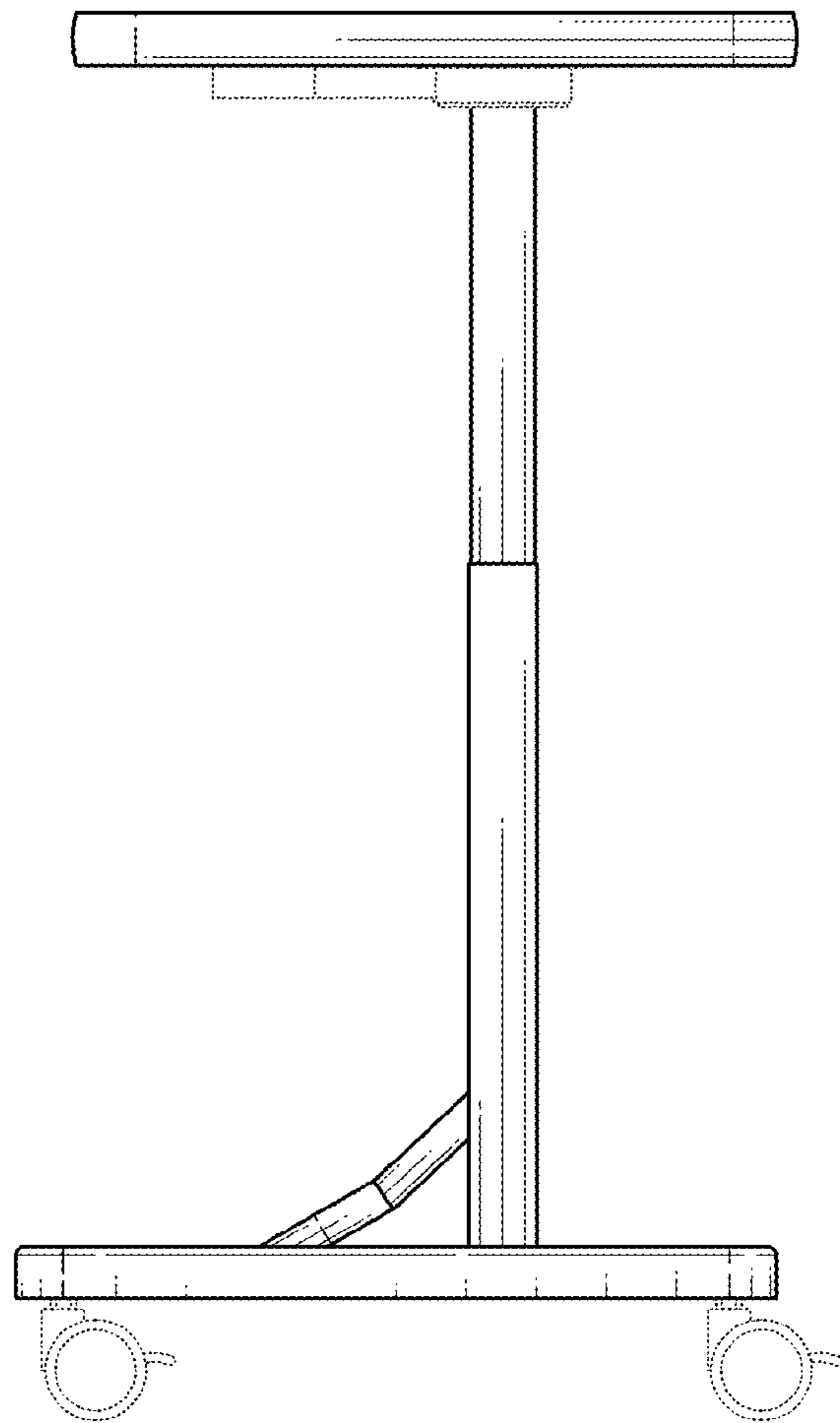


FIG. 5

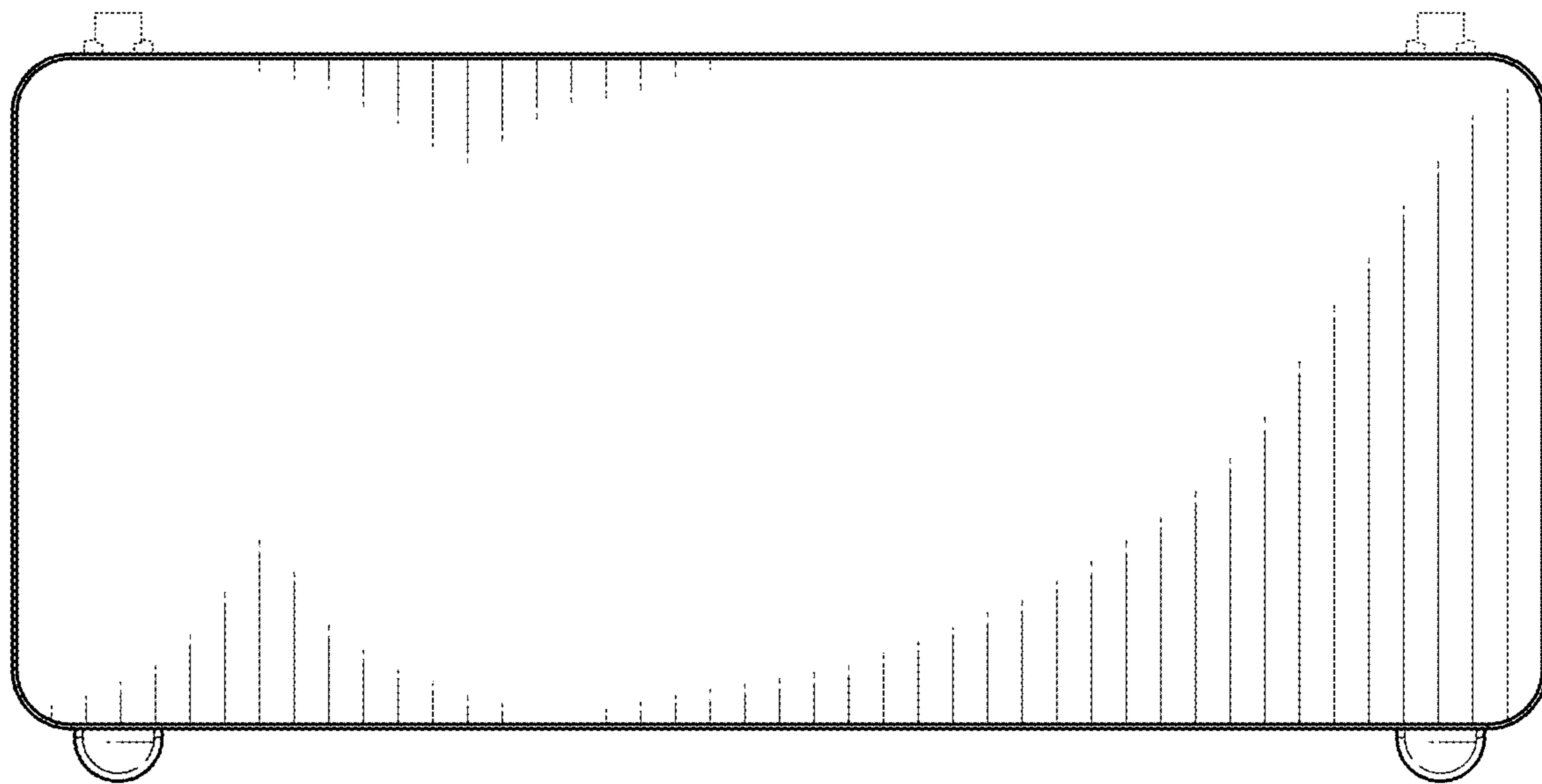


FIG. 6

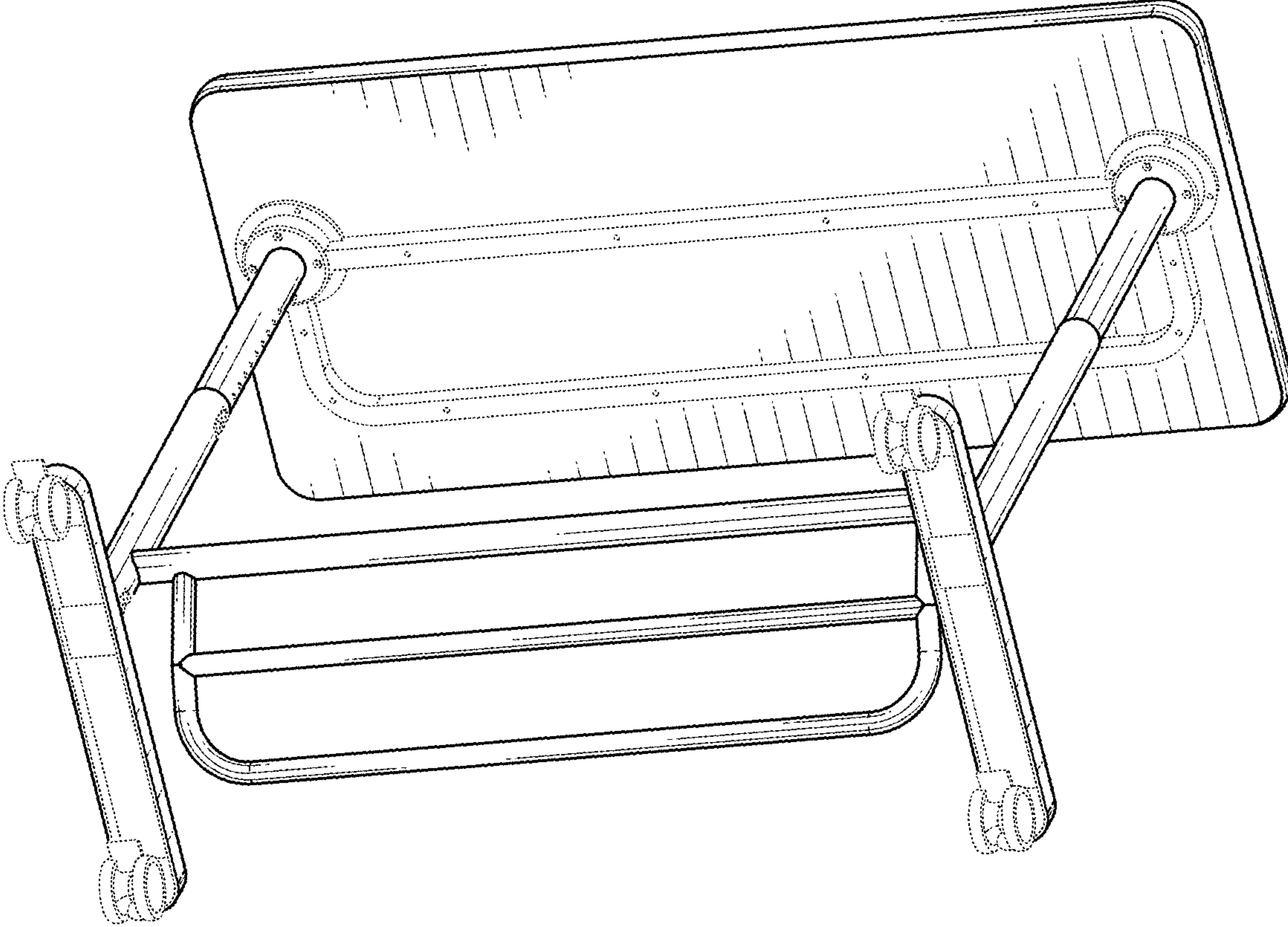


FIG. 7