



US00D985310S

(12) **United States Design Patent** (10) **Patent No.:** **US D985,310 S**
Gleim (45) **Date of Patent:** **** May 9, 2023**

(54) **FOLDABLE MAT FOR THERAPY**
(71) Applicant: **CENTROPIX Global AG, Ruggell**
(LI)
(72) Inventor: **Nik Gleim, Ruggell (LI)**
(73) Assignee: **Niki Reiner Gleim, Nendeln (LI)**
(**) Term: **15 Years**

(21) Appl. No.: **35/511,968**
(22) Filed: **Apr. 20, 2021**

(80) **Hague Agreement Data**
Int. Filing Date: **Apr. 20, 2021**
Int. Reg. No.: **DM/214420**
Int. Reg. Date: **Apr. 20, 2021**
Int. Reg. Pub. Date: **Jun. 4, 2021**

(30) **Foreign Application Priority Data**
Nov. 3, 2020 (EM) 008240352-0001
Nov. 3, 2020 (EM) 008240352-0002

(51) **LOC (14) Cl.** **06-11**
(52) **U.S. Cl.**
USPC **D6/582; D6/592; D21/686**
(58) **Field of Classification Search**
USPC D6/333, 582, 583, 585, 586, 587, 588,
D6/589, 591, 595, 596, 601, 603;
D21/662, 671, 686, 687
CPC .. A47D 15/003; A47G 9/062; A47G 27/0218;
A47G 27/0237; A47G 27/0212; A47G
27/0231; A47G 27/0293; A63B 21/4037;
A63B 6/00
See application file for complete search history.

(56) **References Cited**
U.S. PATENT DOCUMENTS
2,264,471 A * 12/1941 Glenn A47G 9/062
5/419
D255,523 S * 6/1980 Yarabinec D6/596

D330,922 S * 11/1992 Novakoski D21/686
6,387,013 B1 * 5/2002 Marquez A63B 6/00
473/278
D544,281 S * 6/2007 Appleby D6/582
D657,602 S * 4/2012 Service D6/582
D674,225 S * 1/2013 Boyer D6/582
D839,635 S * 2/2019 Girard D6/582
D890,270 S * 7/2020 Patel D21/686
2009/0229048 A1 * 9/2009 Maganov A63B 21/4037
482/148
2014/0051531 A1 * 2/2014 Mazzocchi A63B 6/00
434/247
2015/0328495 A1 * 11/2015 Soba A63B 21/4037
5/417
2017/0340946 A1 * 11/2017 Simon A63B 21/4037
(Continued)

OTHER PUBLICATIONS

Centropix kloud, posted at youtube.com posted on Oct. 26, 2021,
site visited Jun. 16, 2022. online, available from internet: <https://www.youtube.com/watch?v=QC1-sS9fzql> (Year: 2021).*

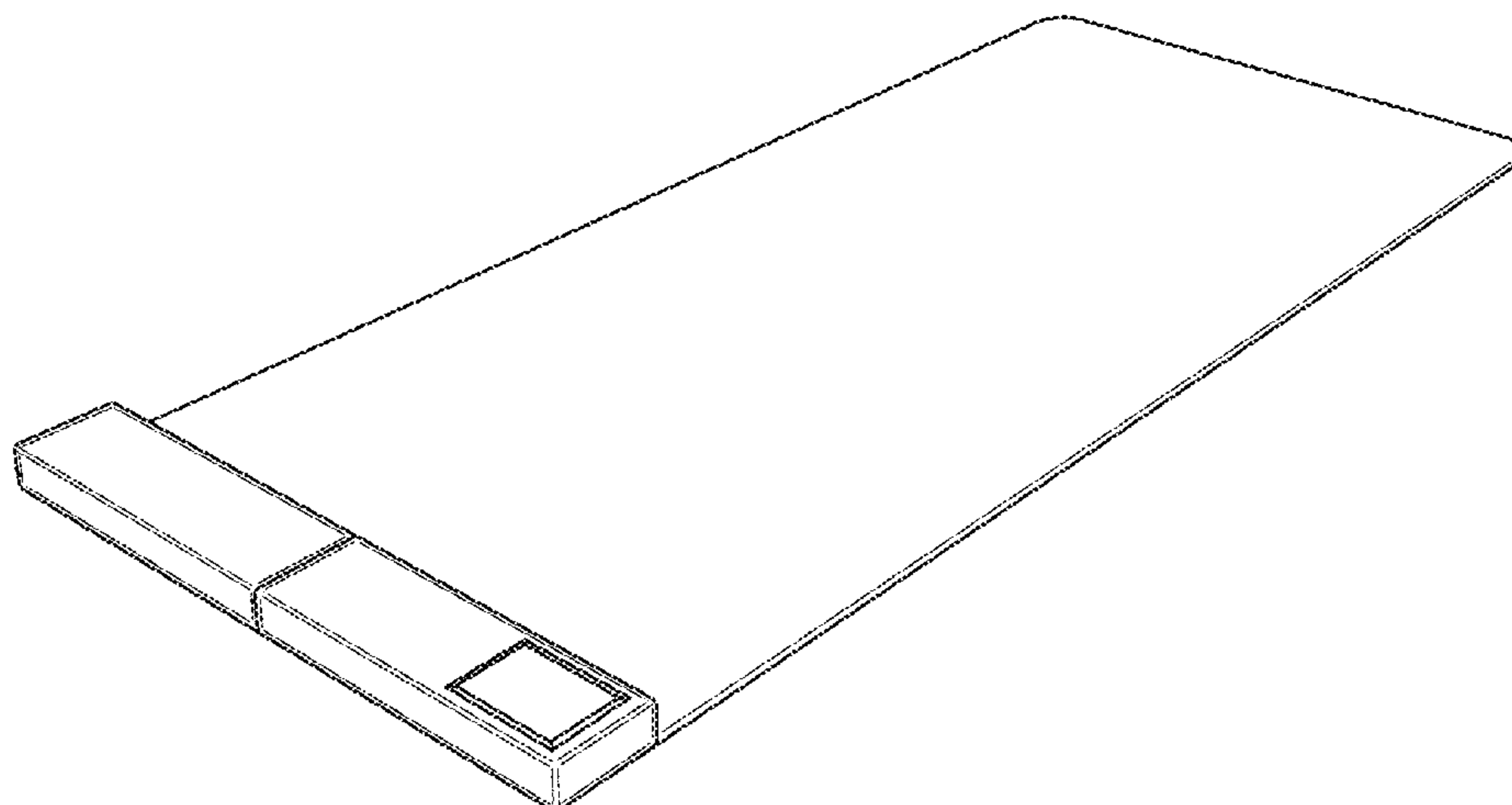
Primary Examiner — Catherine Ho
(74) *Attorney, Agent, or Firm* — Fitch, Even, Tabin &
Flannery, LLP

(57) **CLAIM**
The ornamental design for a foldable mat for therapy, as
shown and described.

DESCRIPTION

- 1.1 : top view
- 1.2 : bottom view
- 1.3 : top perspective view
- 1.4 : left side view
- 1.5 : top perspective view in a half-folded position
- 1.6 : front view thereof
- 1.7 : top perspective view in a fully folded position
- 1.8 : front view thereof
- 1.9 : is a top perspective view in a twice folded position
- 1.10 : is a top perspective view in a thrice folded position

1 Claim, 10 Drawing Sheets



(56)

References Cited

U.S. PATENT DOCUMENTS

2018/0043205 A1* 2/2018 Duffy A63B 21/4037
2021/0228928 A1* 7/2021 Schwartz A63B 6/00
2021/0331029 A1* 10/2021 Clarke A63B 21/4037

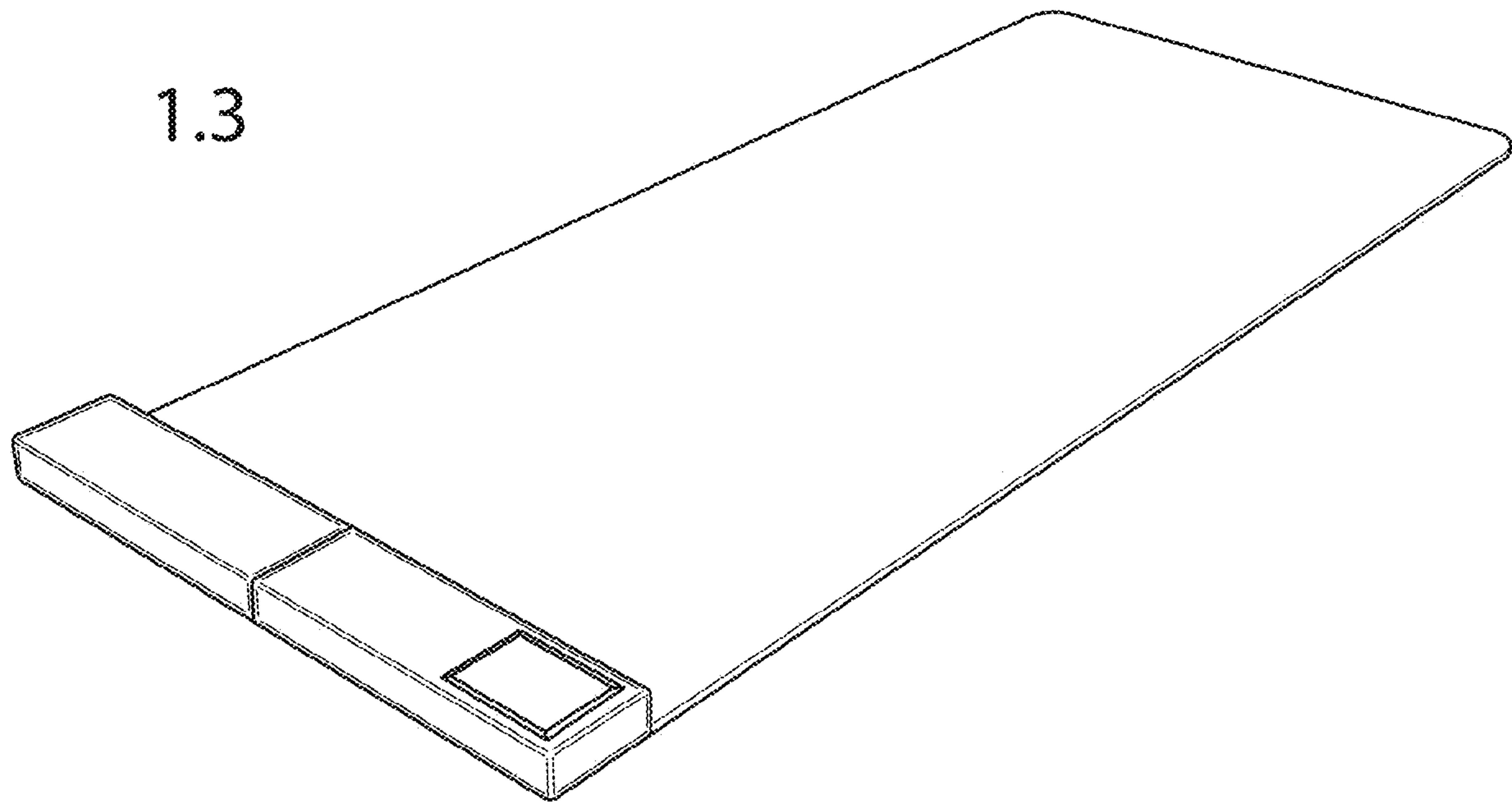
* cited by examiner

1.1



1.2

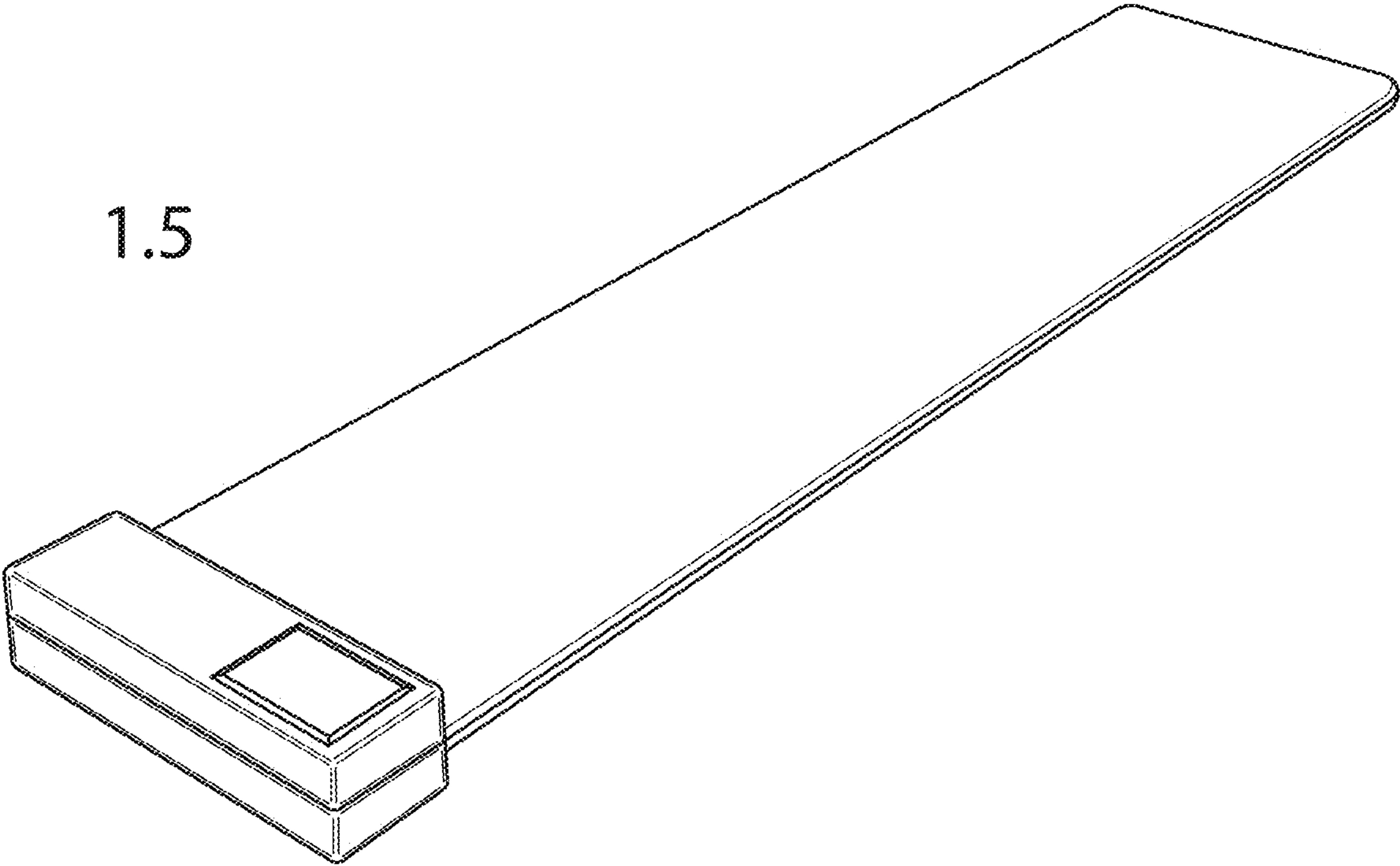




1.3

1.4

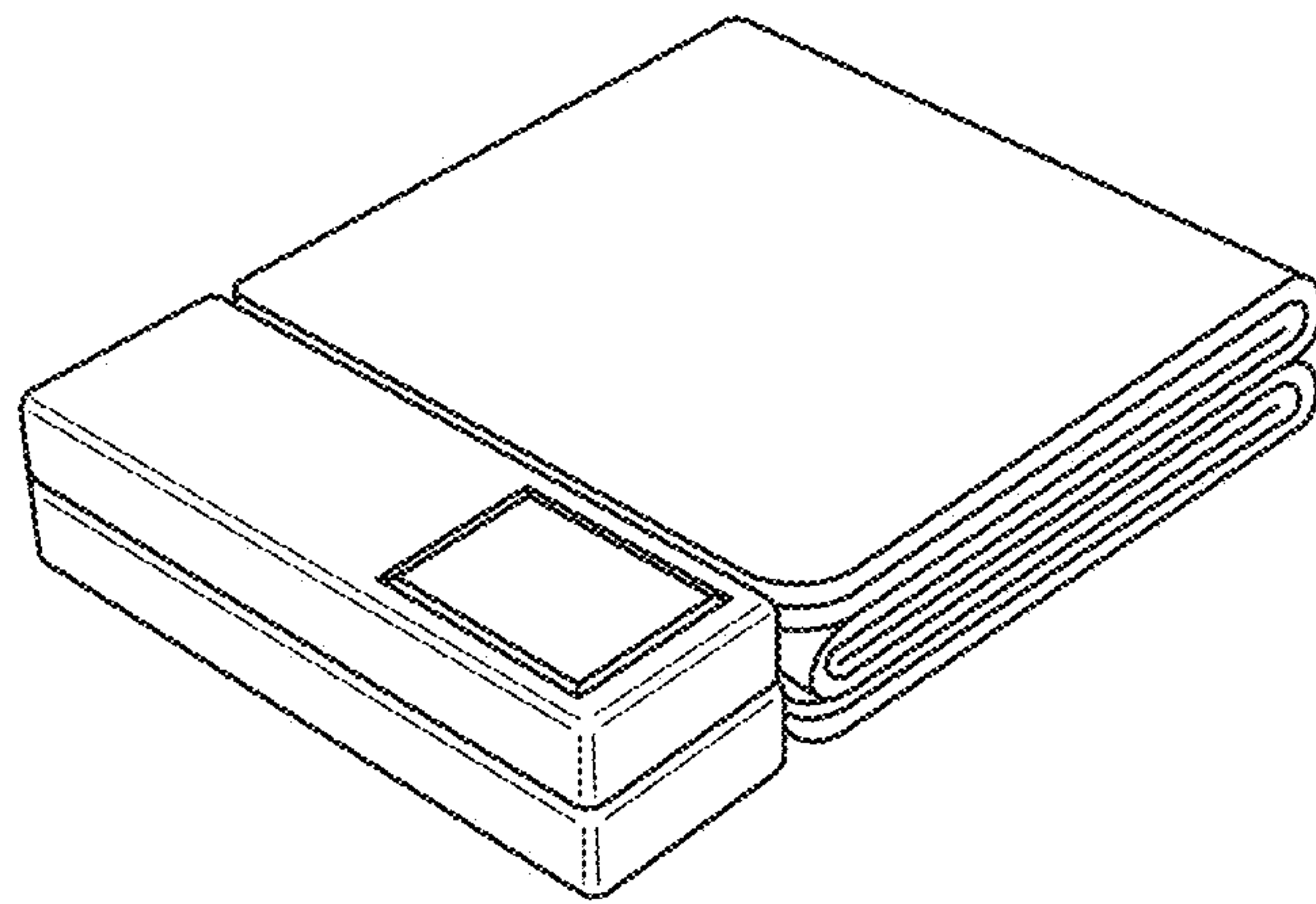




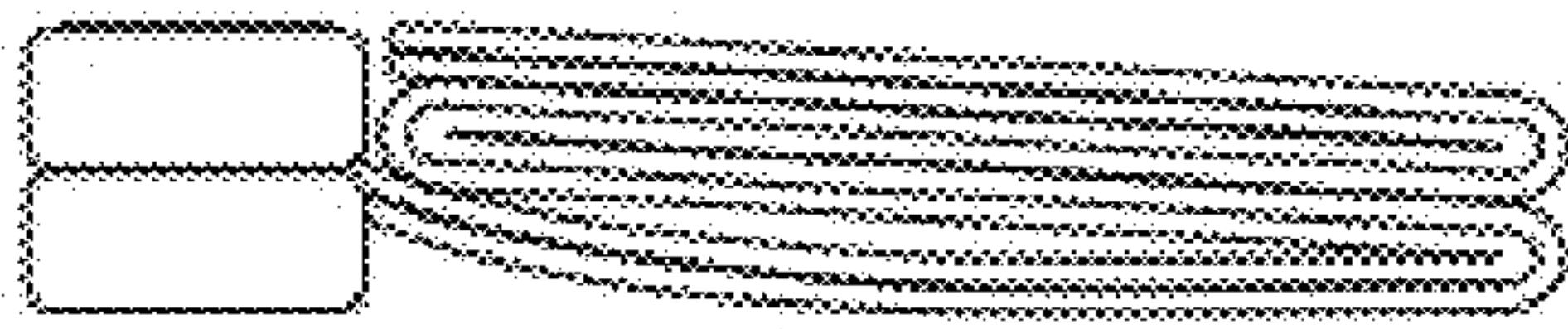
1.6



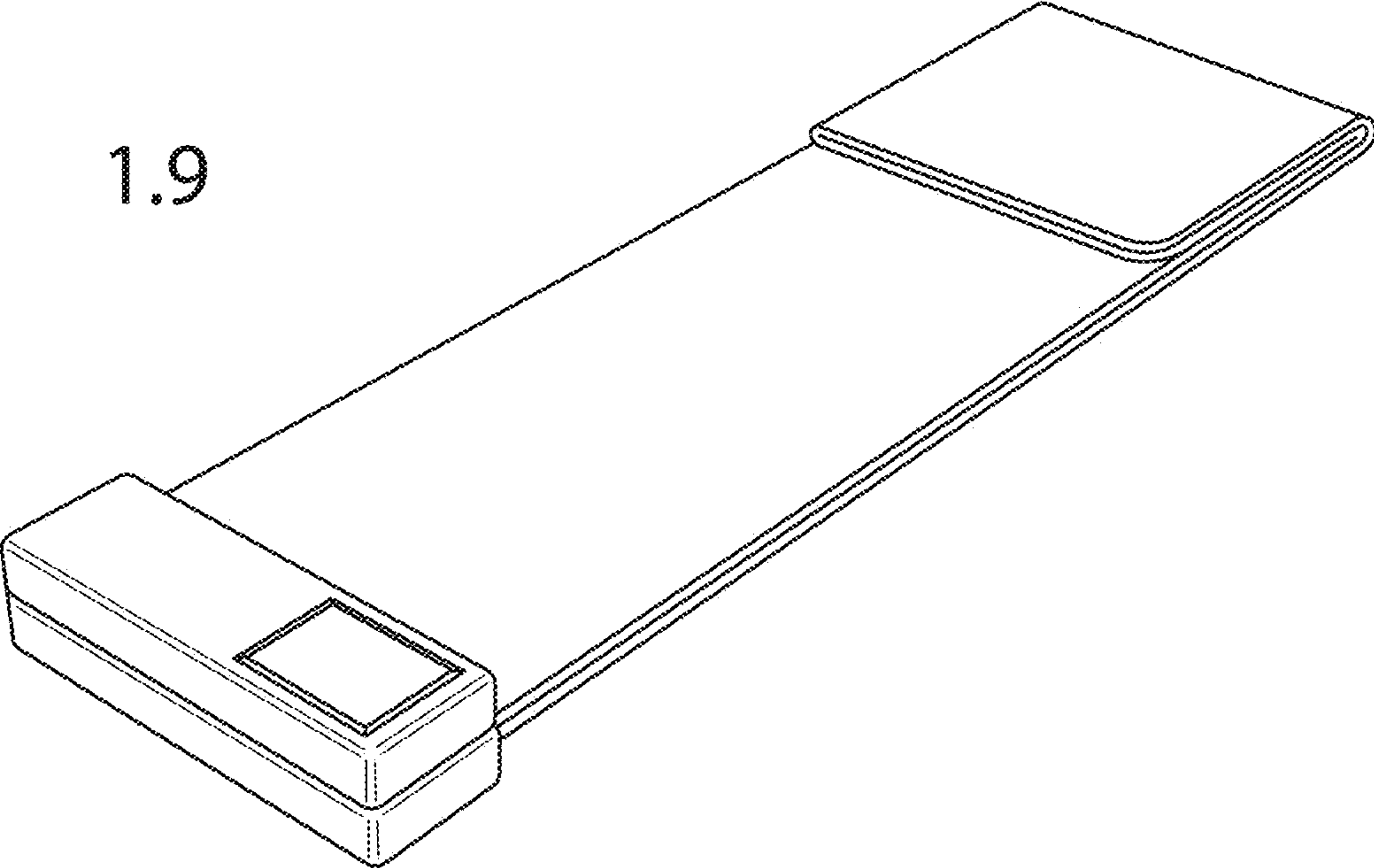
1.7



1.8



1.9



1.10

