



US00D985307S

(12) **United States Design Patent** (10) **Patent No.:** **US D985,307 S**  
**Miller** (45) **Date of Patent:** **\*\* May 9, 2023**

(54) **APPARATUS FOR DISPENSING HAND SANITIZER**

D602,133 S *	10/2009	Soulier .....	D23/284
D619,223 S *	7/2010	Sofield .....	D23/255
D736,352 S *	8/2015	Voorhuis .....	D23/238
D791,286 S *	7/2017	Downey .....	D23/257
D887,217 S *	6/2020	Dubbelman .....	D7/553.6

(71) Applicant: **Handi Technology Limited**, Penn (GB)

(72) Inventor: **Austen Miller**, Andover (GB)

(73) Assignee: **IKONYX Limited**

(\*\*) Term: **15 Years**

(21) Appl. No.: **29/763,627**

(22) Filed: **Dec. 23, 2020**

(30) **Foreign Application Priority Data**

Jun. 24, 2020 (EM) ..... 008020259-0002

(51) **LOC (14) Cl.** ..... **23-08**

(52) **U.S. Cl.**  
USPC ..... **D6/542**

(58) **Field of Classification Search**  
USPC ..... D6/542, 515, 518, 520, 553, 663, 513,  
D6/676; D4/199; D32/35, 54; D7/306;  
D23/234, 270, 205, 231, 238, 255, 364  
CPC ..... A47K 4/00; A47K 1/02; A47K 2210/00;  
B05B 11/3035

See application file for complete search history.

(56) **References Cited**

**U.S. PATENT DOCUMENTS**

D86,652 S *	3/1932	Wolfe .....	D7/306
D114,689 S *	5/1939	Self .....	D7/306
D185,650 S *	7/1959	Voorhees .....	D30/132
D198,830 S *	8/1964	Armstrong .....	D23/255
3,469,603 A *	9/1969	Nagel .....	E03C 1/0404 137/599.08
D295,664 S *	5/1988	Kohler, Jr. ....	D23/257
D507,039 S *	7/2005	Tzeng .....	D23/255

**OTHER PUBLICATIONS**

Bespoke design and customisation., available in Twitter.com, published Oct. 27, 2020 Year 2020 [online], Retrieved on Aug. 30, 2022 from URL: [https://twitter.com/Its\\_Handi/status/1321105331611668482/photo/1](https://twitter.com/Its_Handi/status/1321105331611668482/photo/1) (Year: 2020).\*

\* cited by examiner

*Primary Examiner* — Vy N Koenig  
*Assistant Examiner* — Michelle M Reeves

(74) *Attorney, Agent, or Firm* — Banner & Witcoff, Ltd.

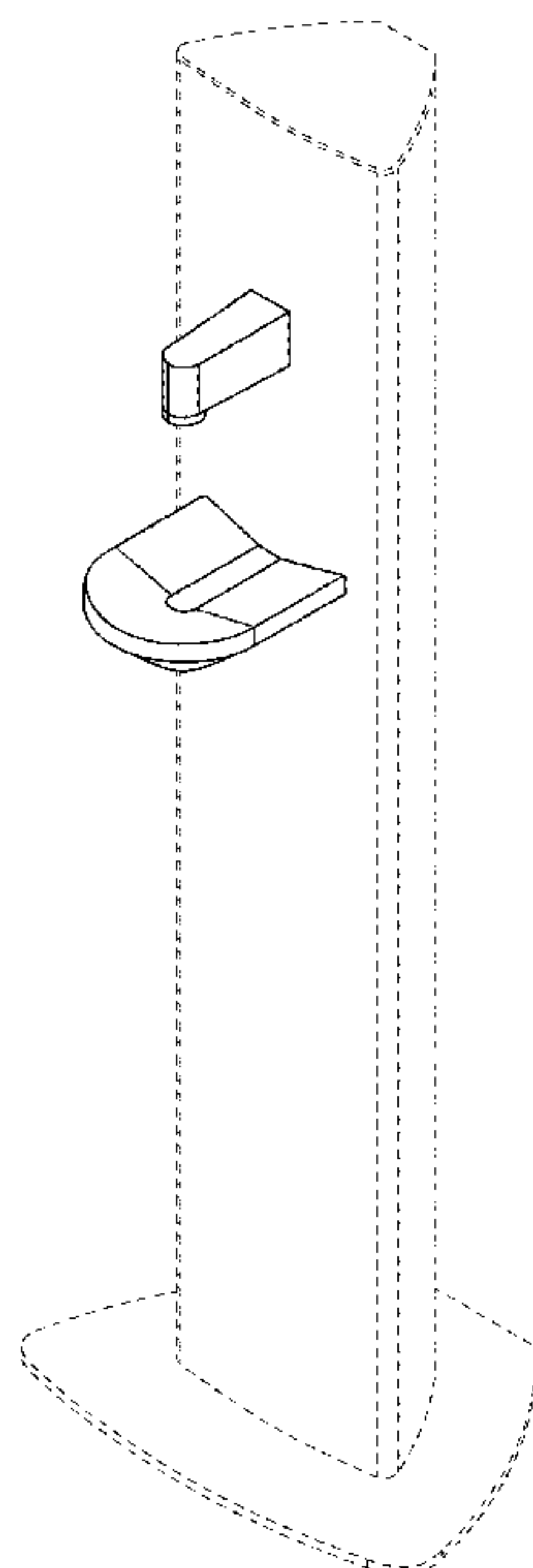
(57) **CLAIM**

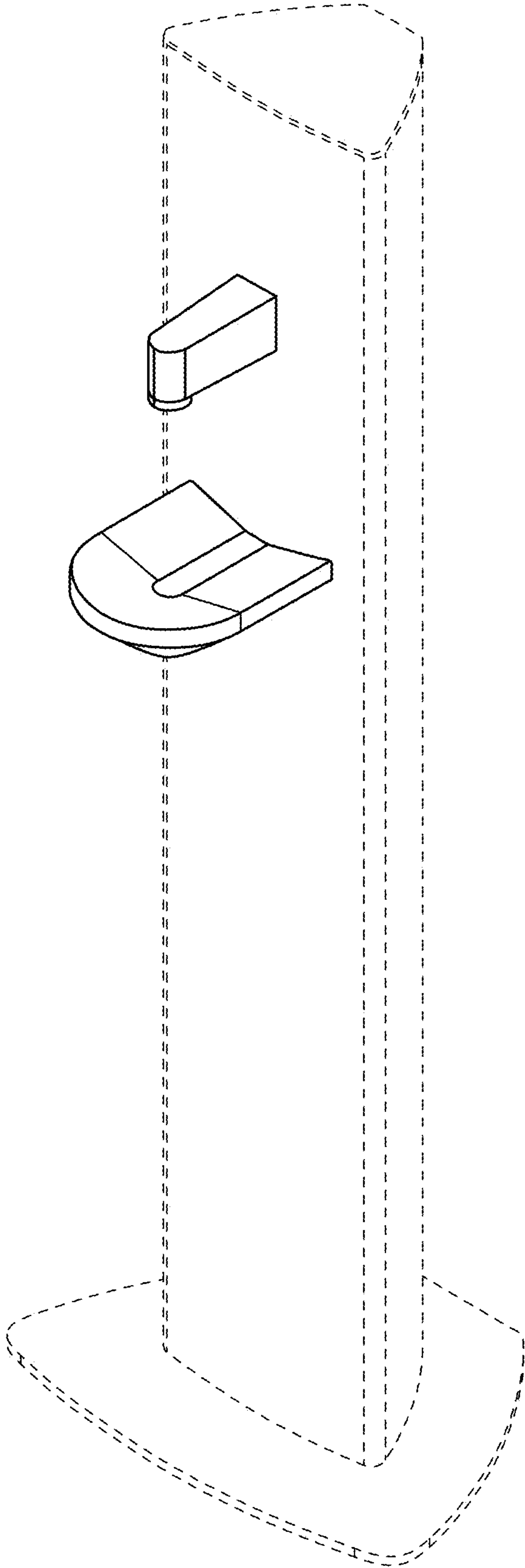
The ornamental design for an apparatus for dispensing hand sanitizer, as shown and described.

**DESCRIPTION**

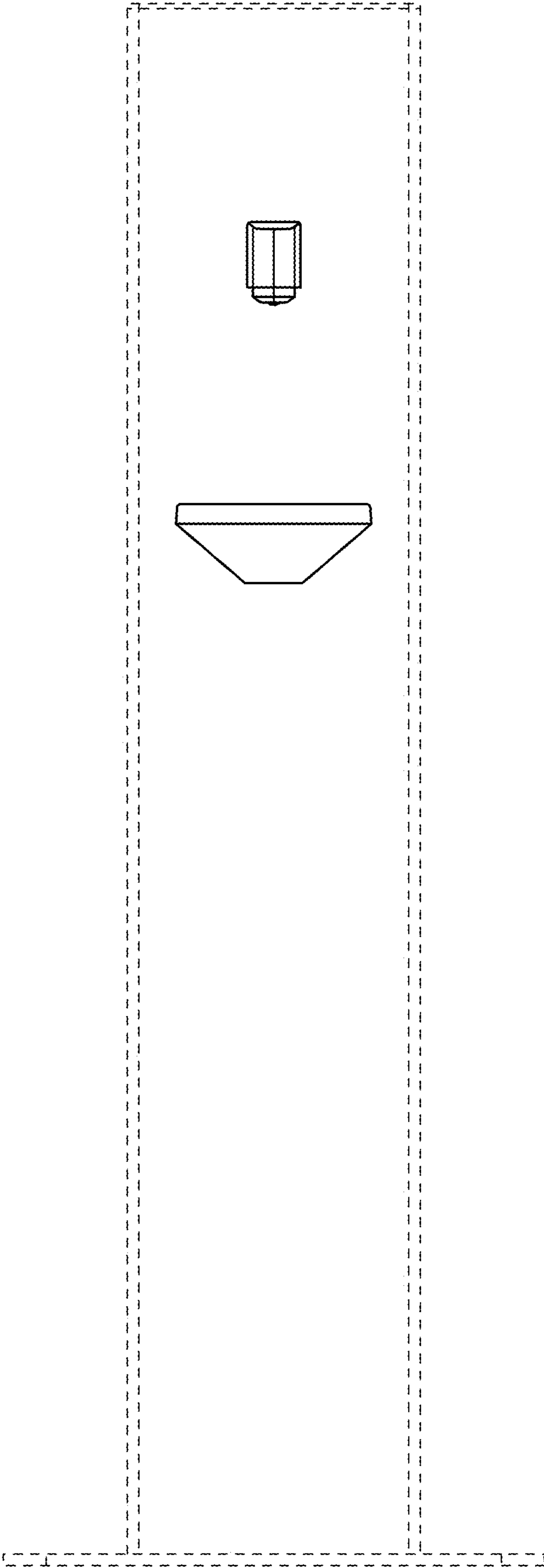
FIG. 1 is a front perspective view of an apparatus for dispensing hand sanitizer showing my new design; FIG. 2 is a front view thereof; FIG. 3 is a rear view thereof; FIG. 4 is a left side view thereof; FIG. 5 is a right side view thereof; FIG. 6 is a top view thereof; and, FIG. 7 is bottom view thereof. The broken lines depicting the remainder of the apparatus form no part of the claimed design.

**1 Claim, 7 Drawing Sheets**

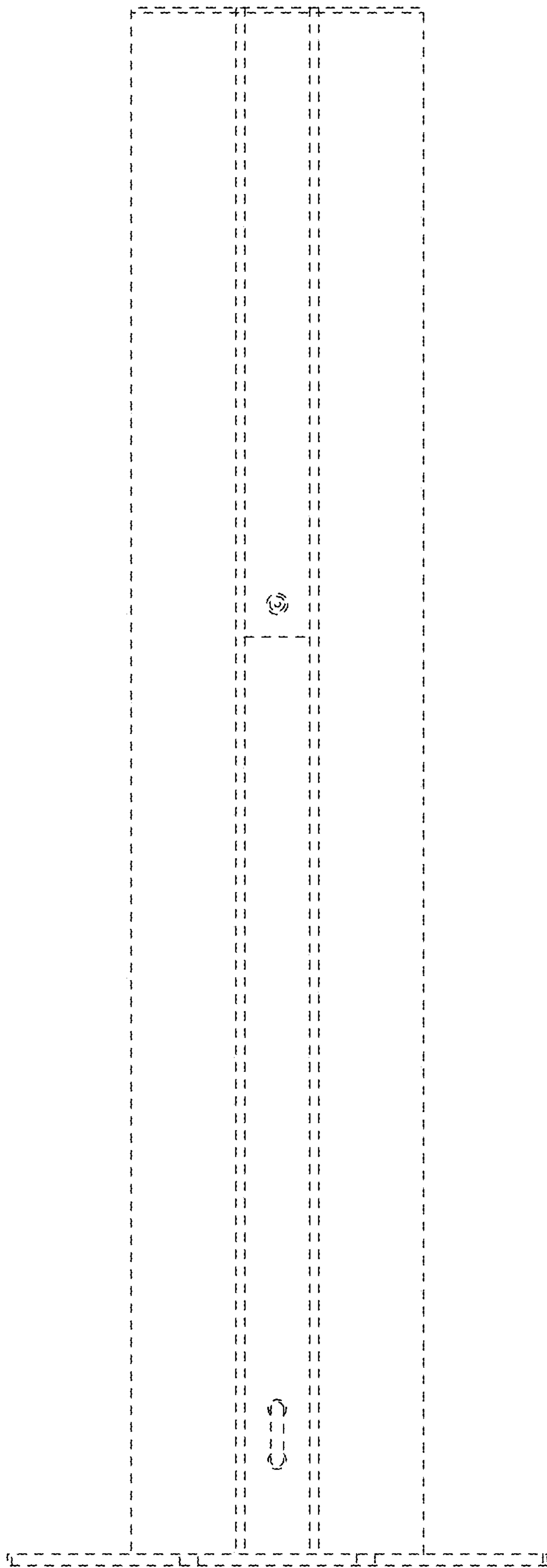




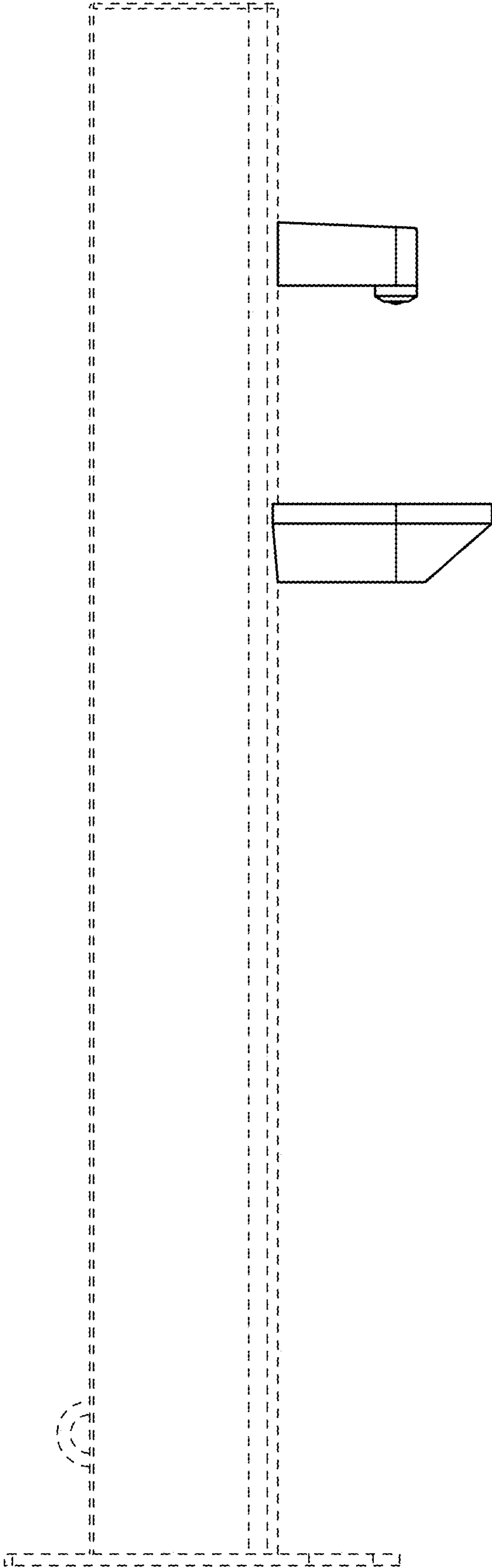
**FIG. 1**



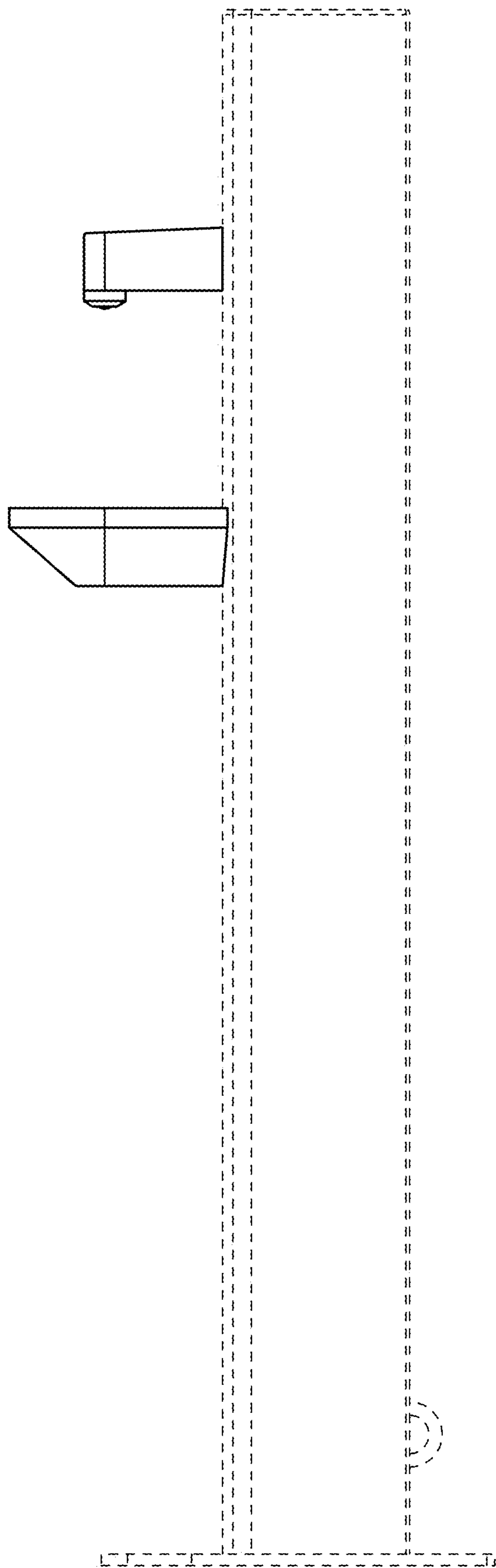
**FIG. 2**



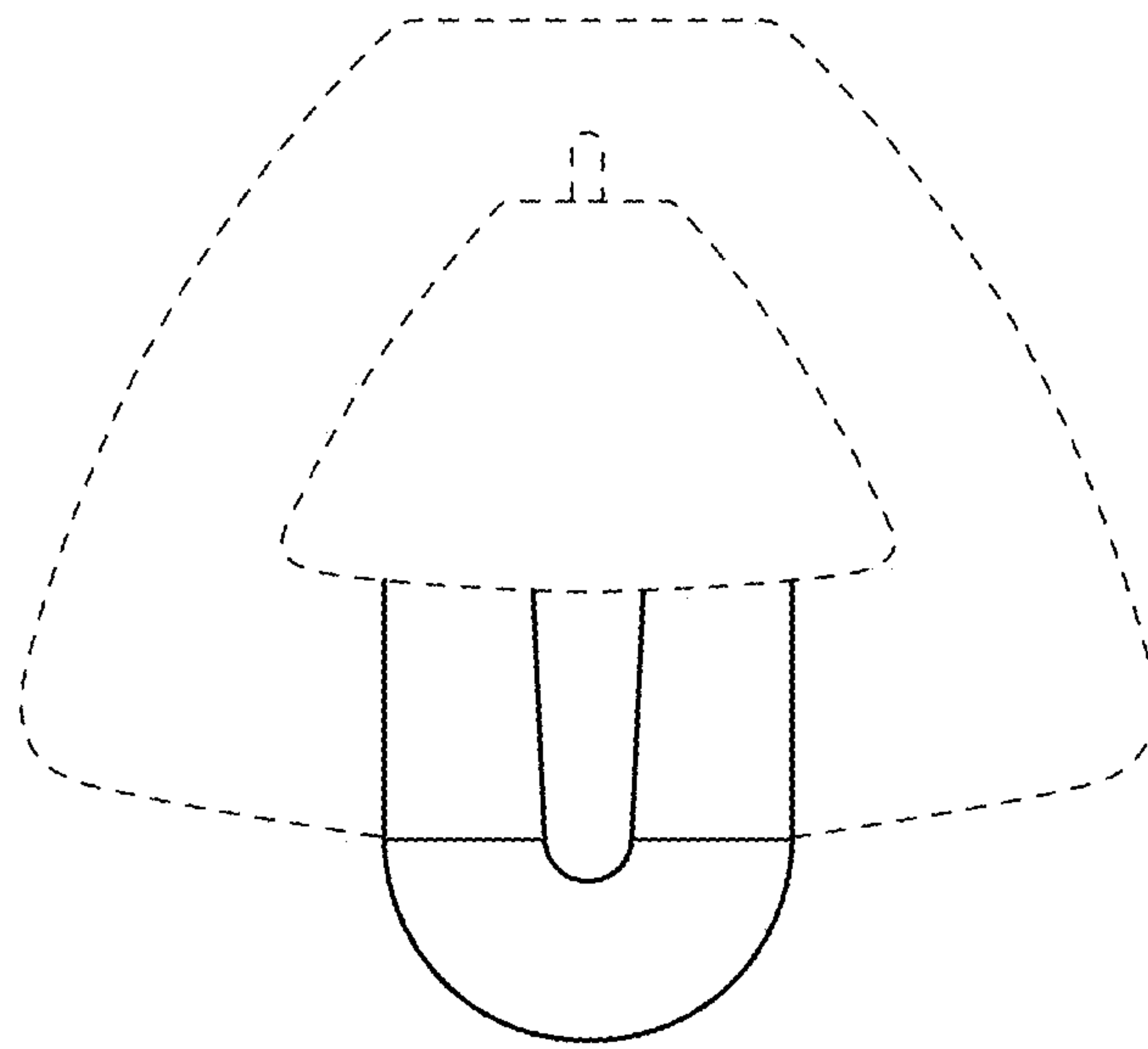
**FIG. 3**



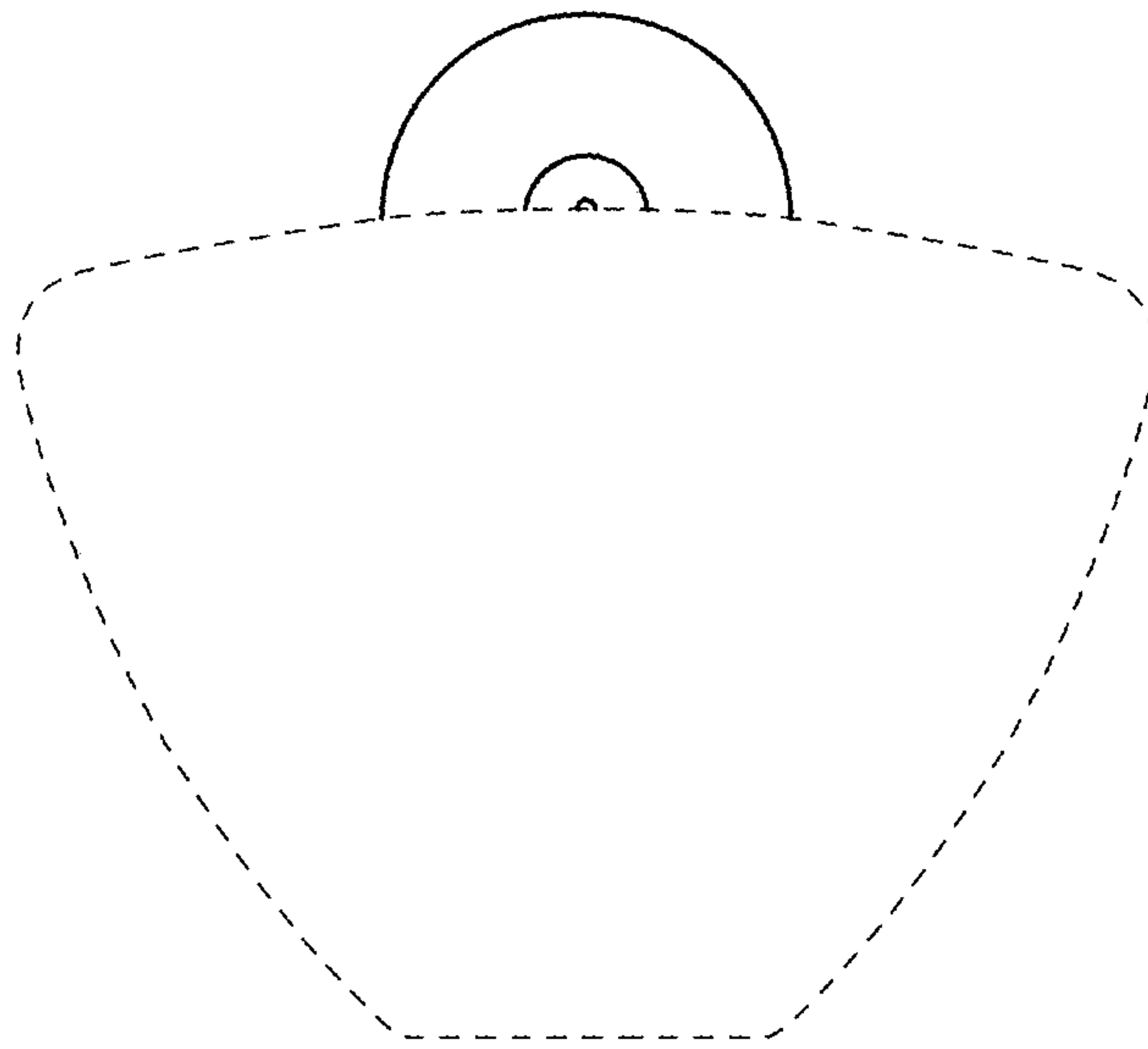
**FIG. 4**



**FIG. 5**



**FIG. 6**



**FIG. 7**