



US00D985306S

(12) **United States Design Patent** (10) **Patent No.:** **US D985,306 S**
Miller (45) **Date of Patent:** **** May 9, 2023**

(54) **APPARATUS FOR DISPENSING HAND SANITIZER**

(71) Applicant: **Handi Technology Limited**, Penn (GB)

(72) Inventor: **Austen Miller**, Andover (GB)

(73) Assignee: **IKONYX Limited**

(**) Term: **15 Years**

(21) Appl. No.: **29/763,624**

(22) Filed: **Dec. 23, 2020**

(30) **Foreign Application Priority Data**

Jun. 24, 2020 (EM) 008020259-0001

(51) **LOC (14) Cl.** **23-08**

(52) **U.S. Cl.**
USPC **D6/542**

(58) **Field of Classification Search**
USPC D6/542, 515, 518, 520, 553, 663, 513,
D6/676; D4/199; D32/35, 54; D7/306;
D23/234, 270, 205, 231, 238, 255, 364
CPC A47K 4/00; A47K 1/02; A47K 2210/00;
B05B 11/3035
See application file for complete search history.

(56) **References Cited**

U.S. PATENT DOCUMENTS

D90,283 S * 7/1933 Goulooze D7/306
D106,030 S * 9/1937 Gibson D7/306
D114,689 S * 5/1939 Self D7/306
D251,299 S * 3/1979 Neel D7/306
D293,985 S * 2/1988 White D6/676

D317,383 S * 6/1991 Brill D6/680
D418,704 S * 1/2000 McGeehan D6/520
D436,159 S * 1/2001 Gutmann D23/364
6,708,848 B2 * 3/2004 Sheridan B67D 3/0029
222/189.09
D644,471 S * 9/2011 Fiori D7/313
D708,000 S * 7/2014 Liu D7/313
D736,352 S * 8/2015 Voorhuis D23/238
2022/0095850 A1 * 3/2022 Shao A47K 5/1205

OTHER PUBLICATIONS

Bespoke design and customisation., available in Twitter.com, published Oct. 27, 2020 Year 2020 [online], Retrieved on Aug. 30, 2022 from URL: https://twitter.com/Its_Handi/status/1321105331611668482/photo/1 (Year: 2020).*

* cited by examiner

Primary Examiner — Vy N Koenig

Assistant Examiner — Michelle M Reeves

(74) *Attorney, Agent, or Firm* — Banner & Witcoff, Ltd.

(57) **CLAIM**

The ornamental design for an apparatus for dispensing hand sanitizer, as shown and described.

DESCRIPTION

FIG. 1 is a front top perspective view of an apparatus for dispensing hand sanitizer showing my new design;

FIG. 2 is a front view thereof;

FIG. 3 is a rear top perspective view thereof;

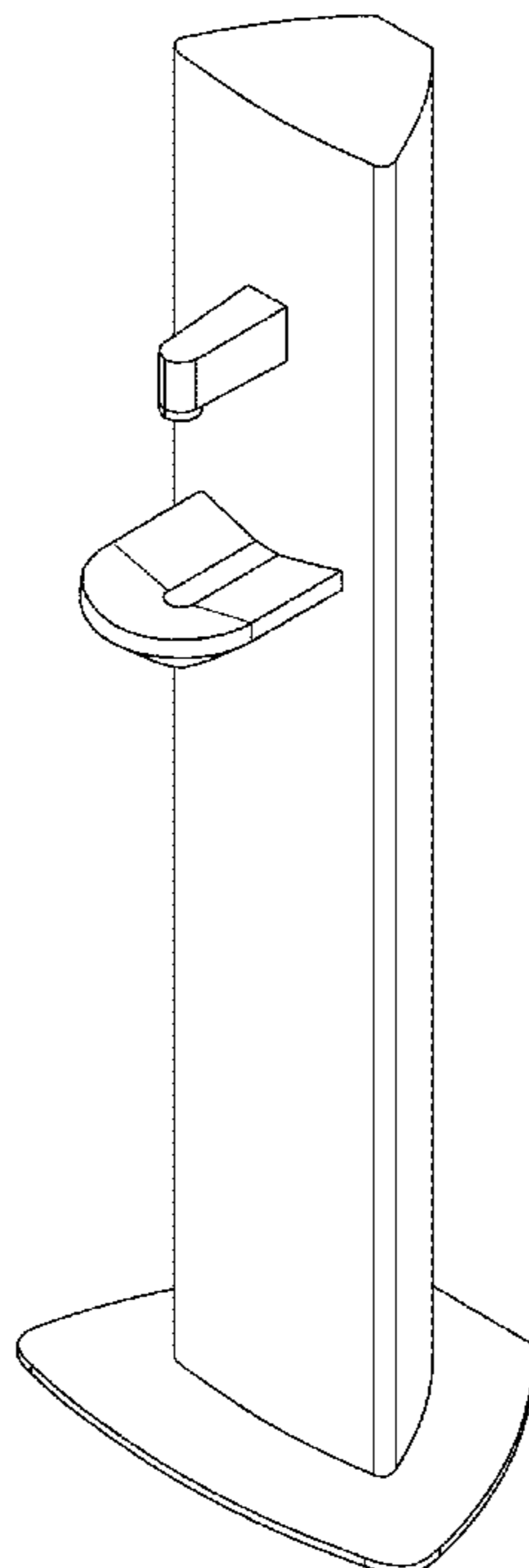
FIG. 4 is a rear view thereof;

FIG. 5 is a left side view thereof, the right side view being a mirror image thereof;

FIG. 6 is a top view thereof; and,

FIG. 7 is bottom view thereof.

1 Claim, 7 Drawing Sheets



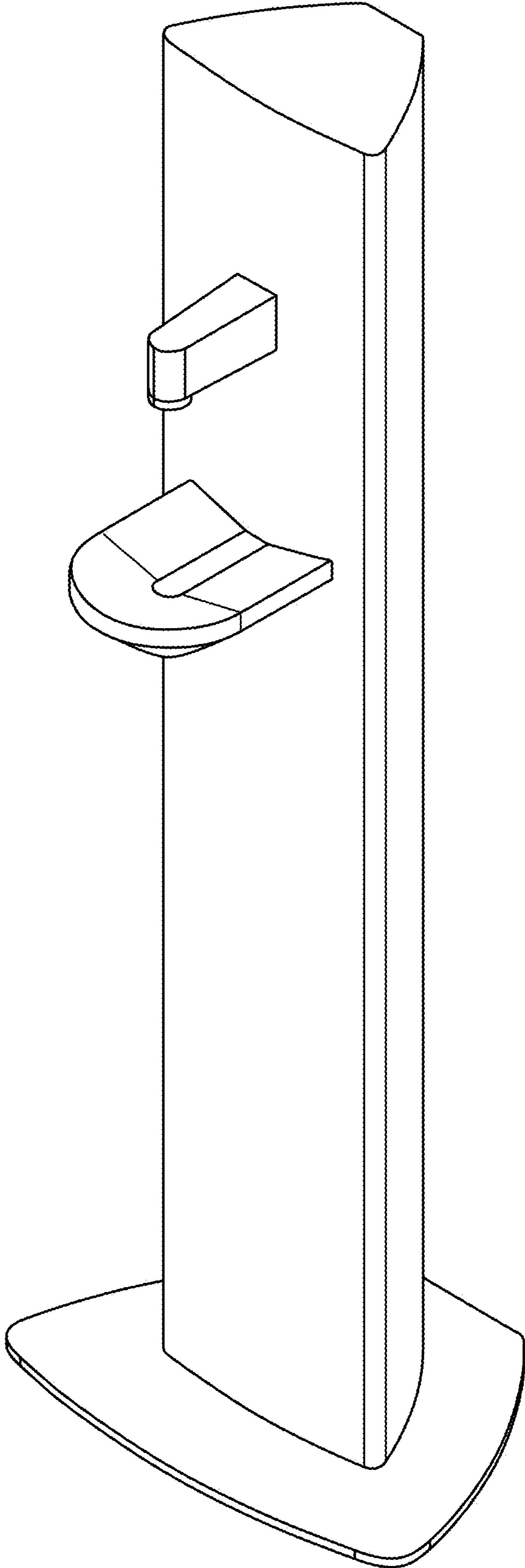


FIG. 1

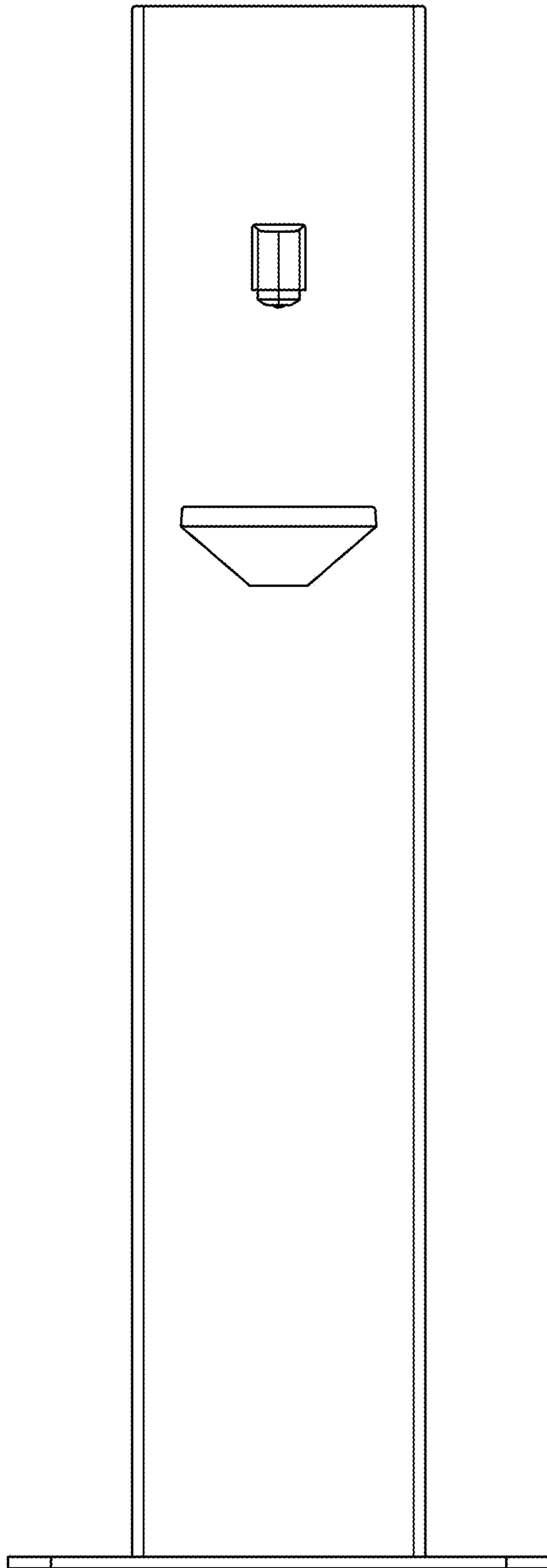


FIG. 2

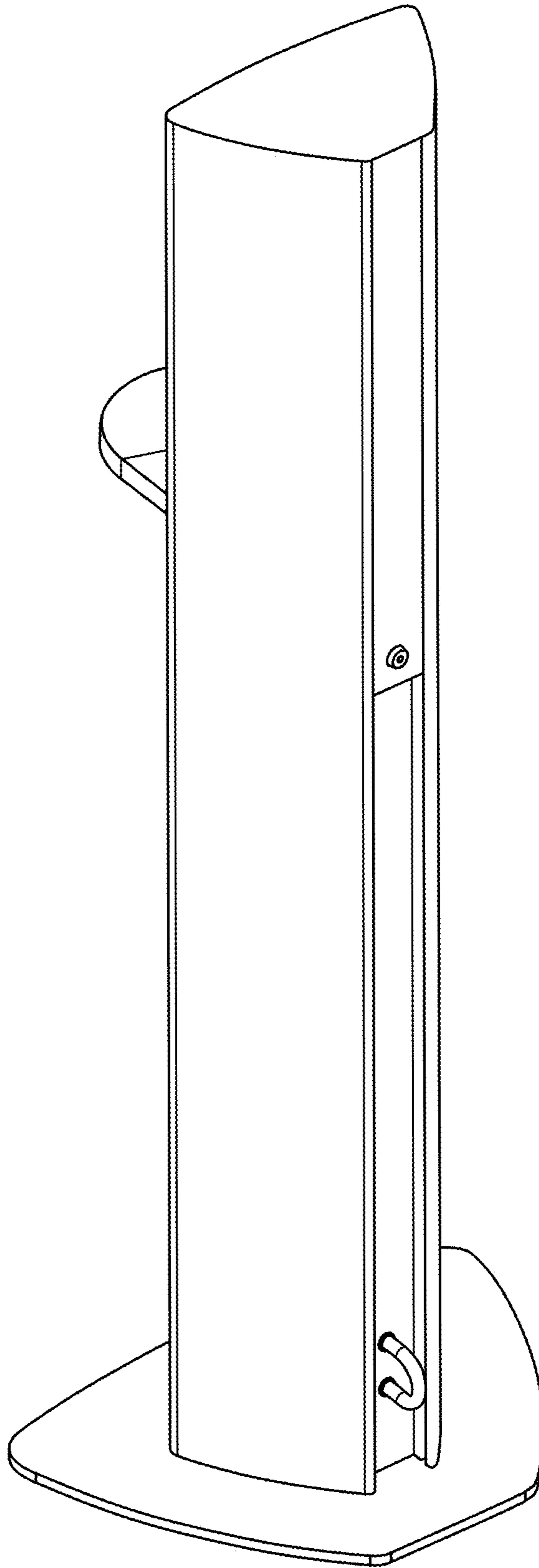


FIG. 3

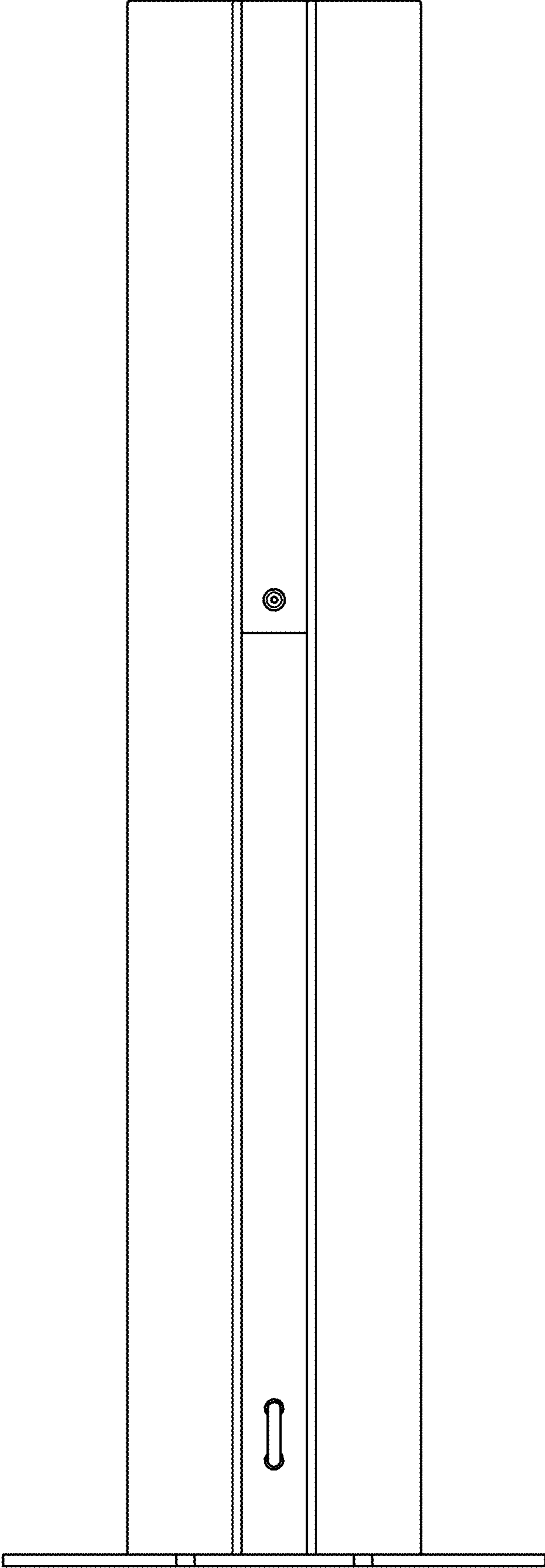


FIG. 4

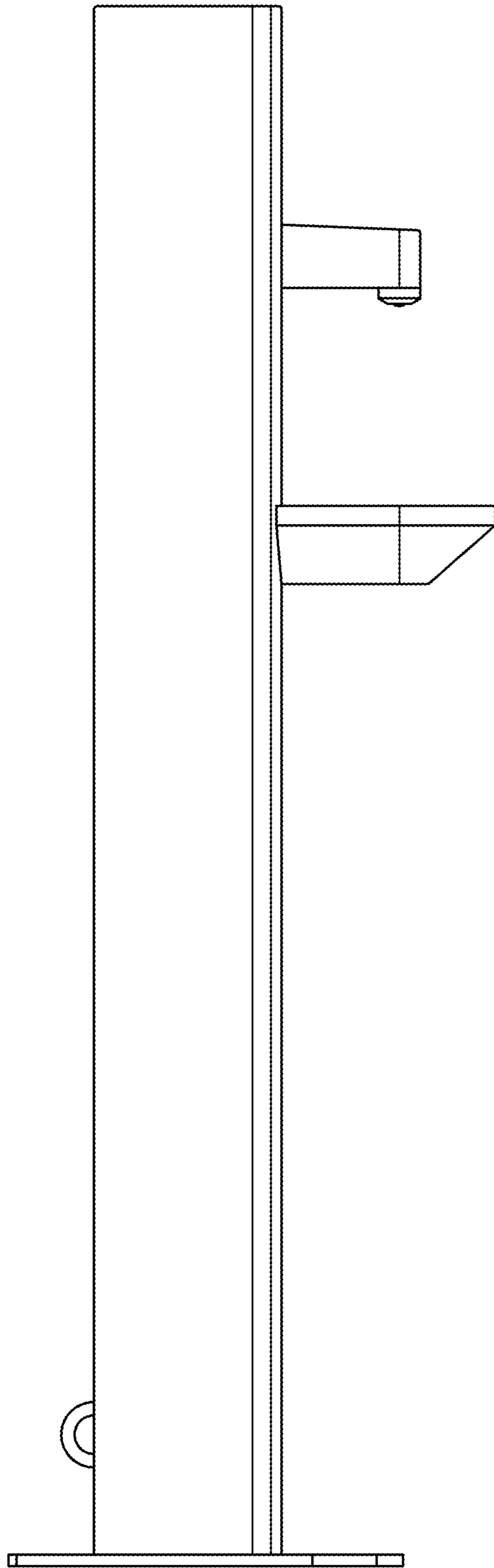


FIG. 5

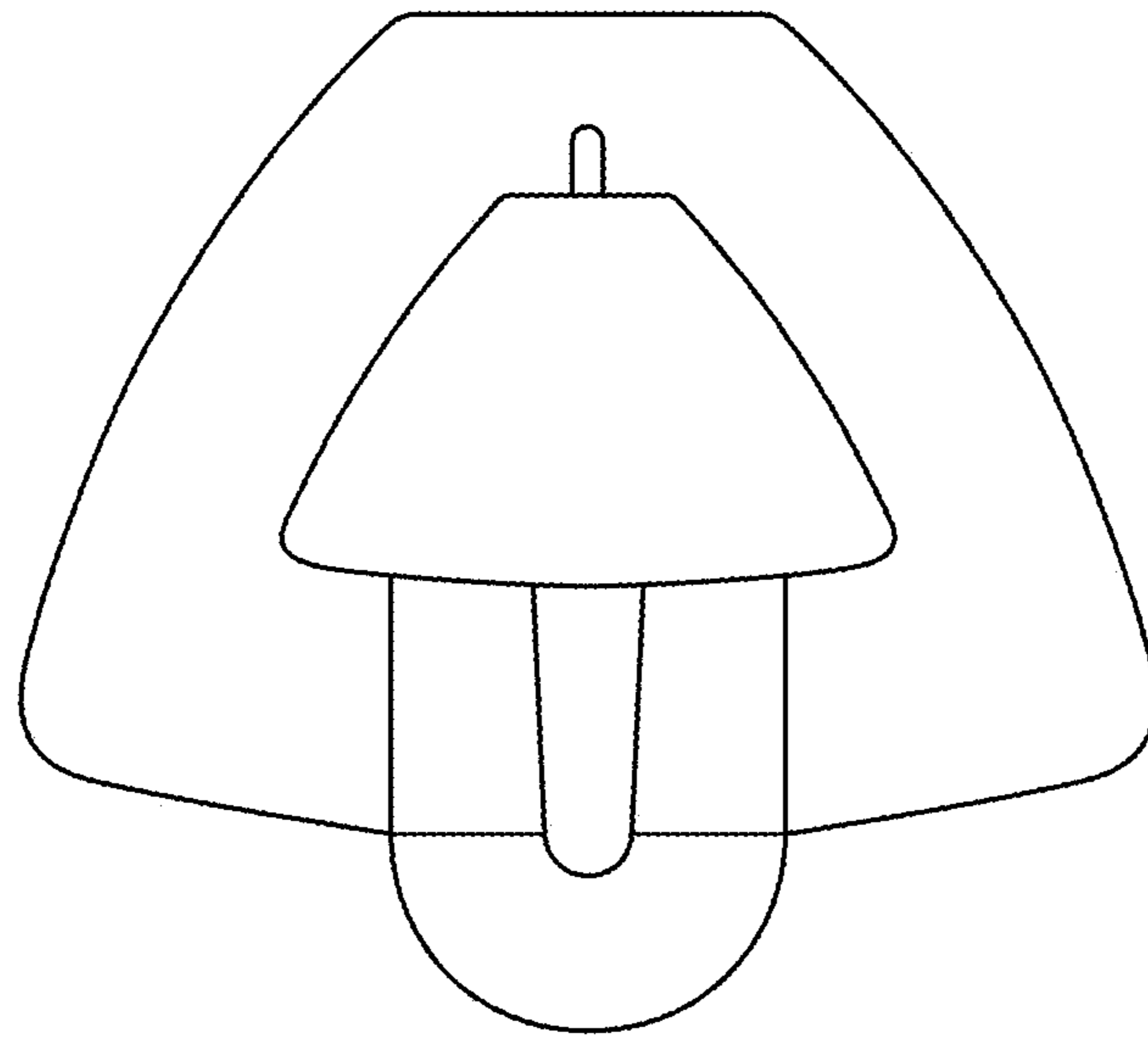


FIG. 6

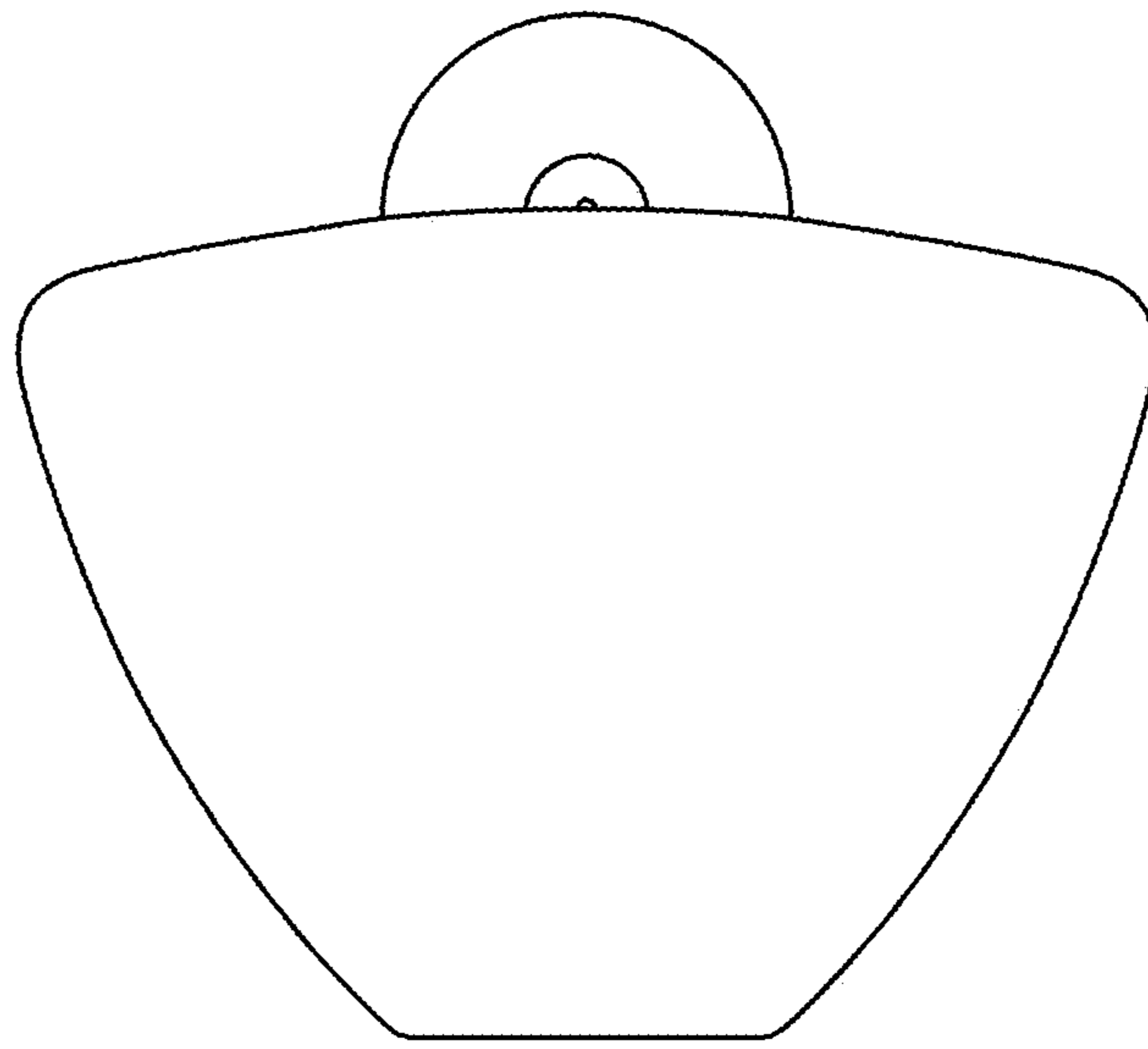


FIG. 7