



US00D985305S

(12) **United States Design Patent** (10) **Patent No.:** **US D985,305 S**
Johnson et al. (45) **Date of Patent:** **** May 9, 2023**

(54) **SOAP DISPENSER**

(71) Applicant: **Kohler Co.**, Kohler, WI (US)

(72) Inventors: **Drew Johnson**, Sheboygan, WI (US);
Tory L. Hayner, Howards Grove, WI (US)

(73) Assignee: **KOHLER CO.**, Kohler, WI (US)

(**) Term: **15 Years**

(21) Appl. No.: **29/755,766**

(22) Filed: **Oct. 22, 2020**

Related U.S. Application Data

(62) Division of application No. 29/683,277, filed on Mar. 12, 2019, now Pat. No. Des. 903,368.

(51) **LOC (14) Cl.** **23-08**

(52) **U.S. Cl.**
USPC **D6/542**

(58) **Field of Classification Search**
USPC D6/512, 524, 542-545, 538; D9/291,
D9/448, 449, 682, 688, 690, 691;
D23/238, 252, 255, 257

CPC A47G 19/24; B67D 3/0029; B65D 23/003;
B65D 83/40; B65D 50/045; B05B
11/3001; F16N 3/10

See application file for complete search history.

(56) **References Cited**

U.S. PATENT DOCUMENTS

D241,097 S	8/1976	Morris	
D348,307 S *	6/1994	Gottwald	D23/252
D434,117 S *	11/2000	Spangler	D23/250
D470,925 S *	2/2003	Blomstrom	D23/255
D519,608 S *	4/2006	Fritz	D23/242
D560,941 S *	2/2008	Genord	D23/238
D619,223 S *	7/2010	Sofield	D23/255
D669,159 S	10/2012	Huang	
D678,986 S *	3/2013	Lord	D23/255

D719,243 S *	12/2014	Fritz	D23/255
D782,013 S *	3/2017	Eads	D23/255
D798,420 S *	9/2017	Eads	D23/255
D798,421 S *	9/2017	Eads	D23/257
D800,274 S *	10/2017	Andrew	D23/255

(Continued)

FOREIGN PATENT DOCUMENTS

CN	306944344	*	11/2021
CN	307295492	*	4/2022

OTHER PUBLICATIONS

Fontana Showers Touchless Automatic Motion Sensor Faucet and Soap Dispenser Set Brushed Nickel <https://a.co/d/f2DycpX>, Aug. 5, 2021 (Year: 2021).*

(Continued)

Primary Examiner — Jennifer L Rempfer

Assistant Examiner — Bethany Louise Mallino

(74) *Attorney, Agent, or Firm* — Foley & Lardner LLP

(57) **CLAIM**

We claim the ornamental design for a soap dispenser, as shown and described.

DESCRIPTION

FIG. 1 is a top, front, left perspective view of the embodiment of the claimed design;

FIG. 2 is a front elevation view thereof;

FIG. 3 is a rear elevation view thereof;

FIG. 4 is a right side elevation view thereof;

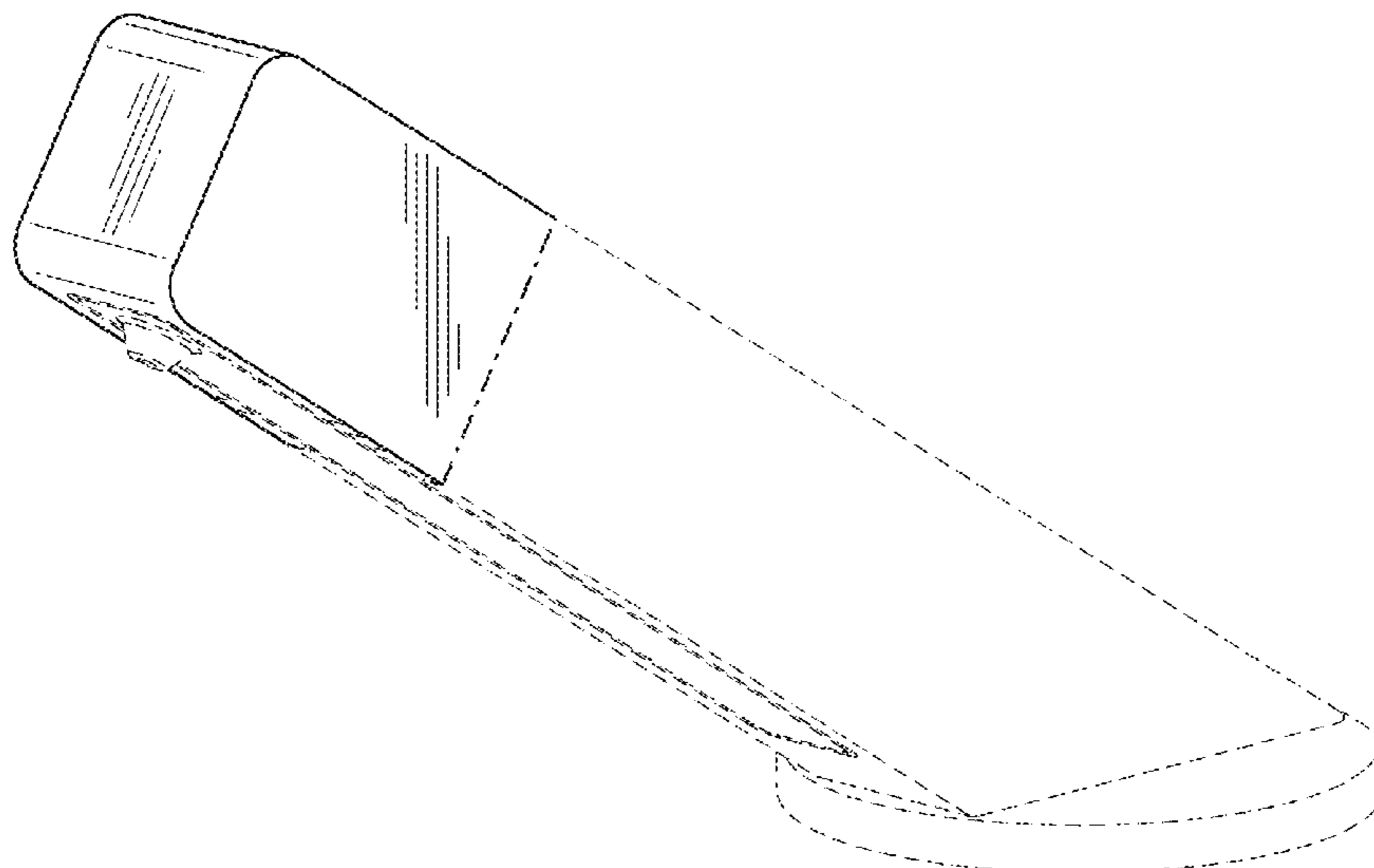
FIG. 5 is a left side elevation view thereof;

FIG. 6 is a top plan view thereof; and,

FIG. 7 is a bottom plan view thereof.

The broken lines formed by equal length dashes show portions of the design that form no part of the claim. The broken lines formed of dash-dot lengths show boundaries of the claim.

1 Claim, 5 Drawing Sheets



(56)

References Cited

U.S. PATENT DOCUMENTS

D805,608 S 12/2017 Streng
D811,544 S * 2/2018 Takayama D23/252
D845,442 S 4/2019 Eads et al.
D903,368 S * 12/2020 Johnson D6/542
D905,828 S * 12/2020 McKeone D23/255
D916,500 S * 4/2021 Johnson D6/542
D935,570 S * 11/2021 McKeone D23/255

OTHER PUBLICATIONS

Stern: Quadrat 2030 Automatic Soap Dispenser, <https://sternfaucets.com/quadrat-2030-automatic-soap-dispenser/>, Date unavailable, Found Dec. 5, 2022 (Year: 2022).*

* cited by examiner

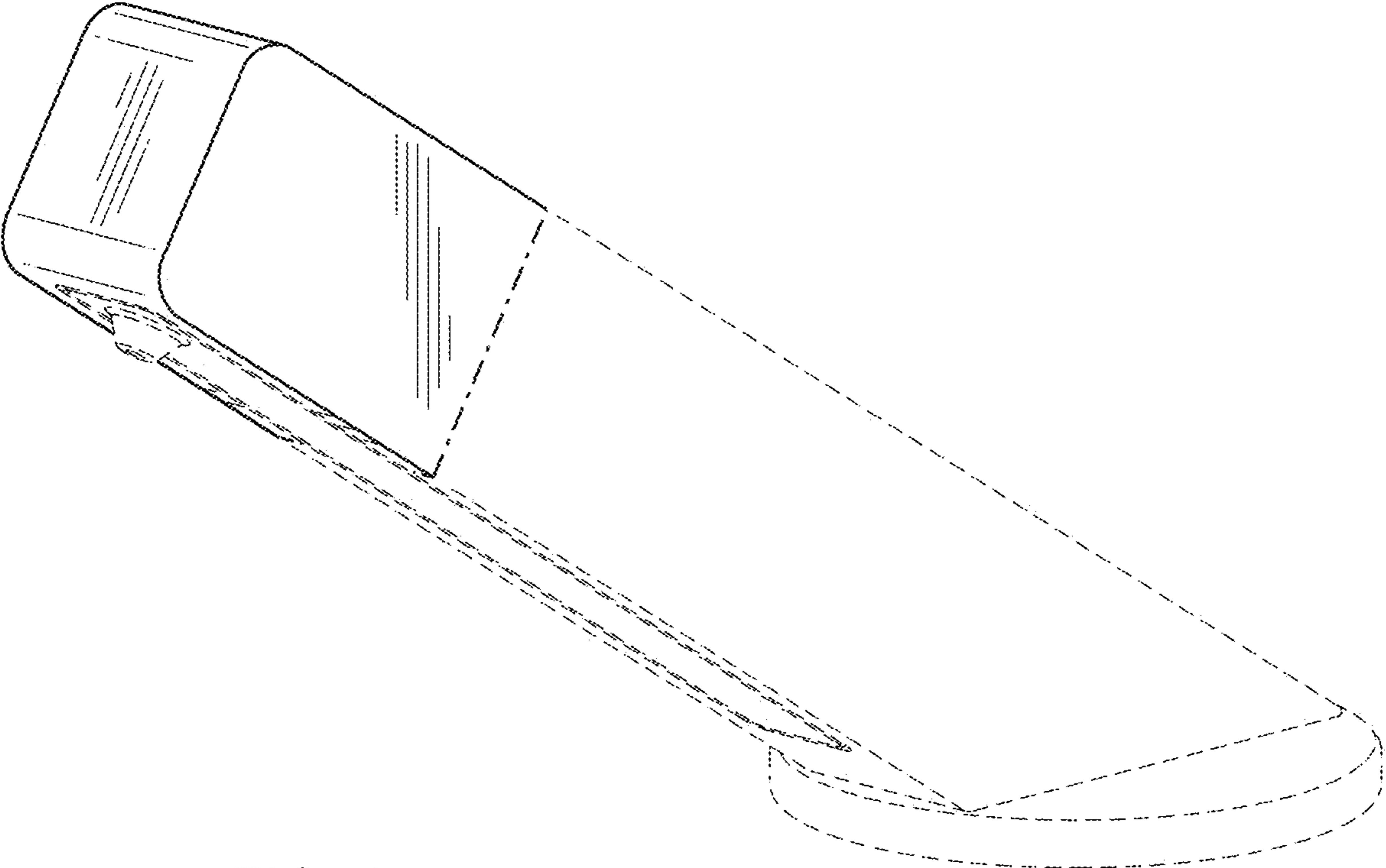


FIG. 1

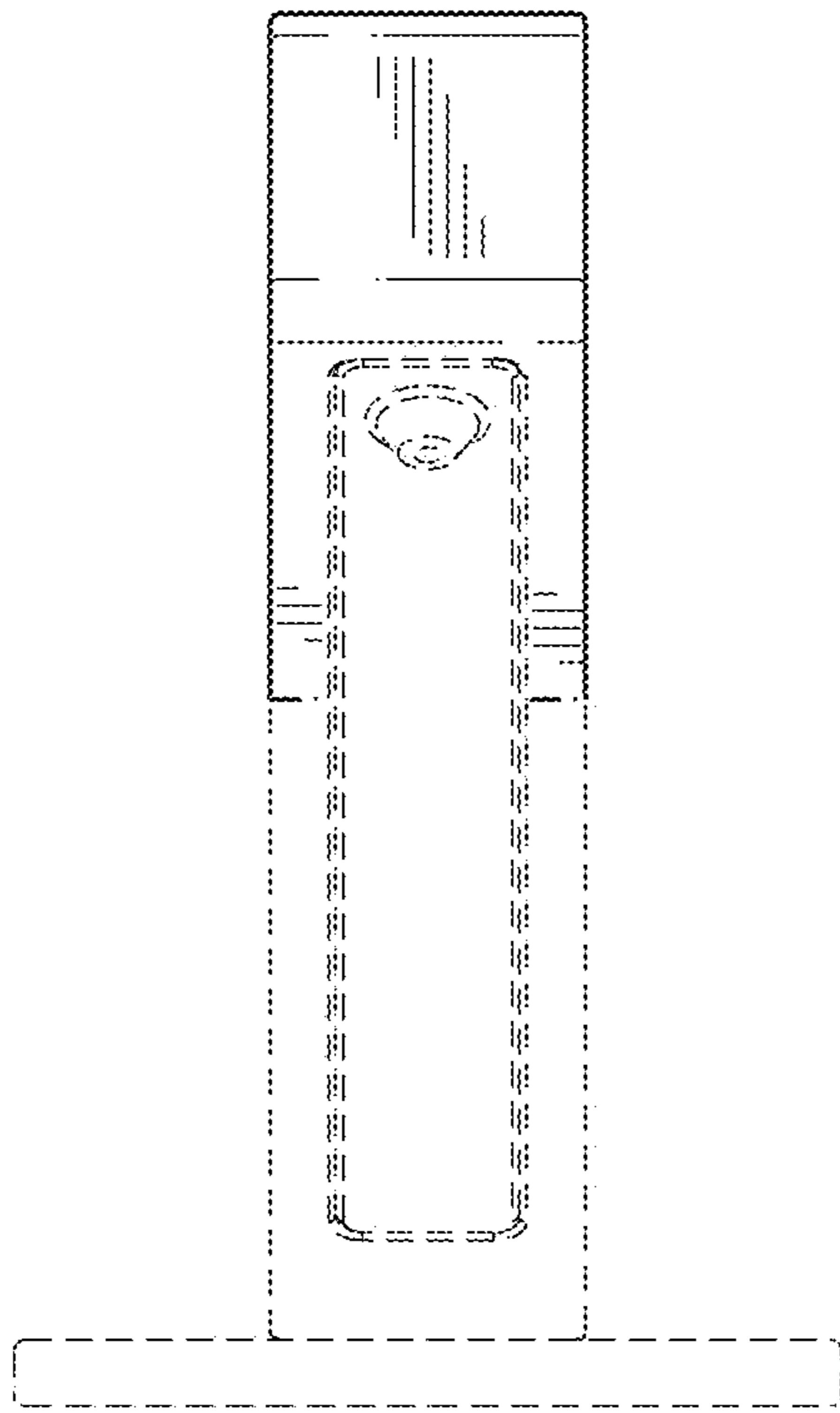


FIG. 2

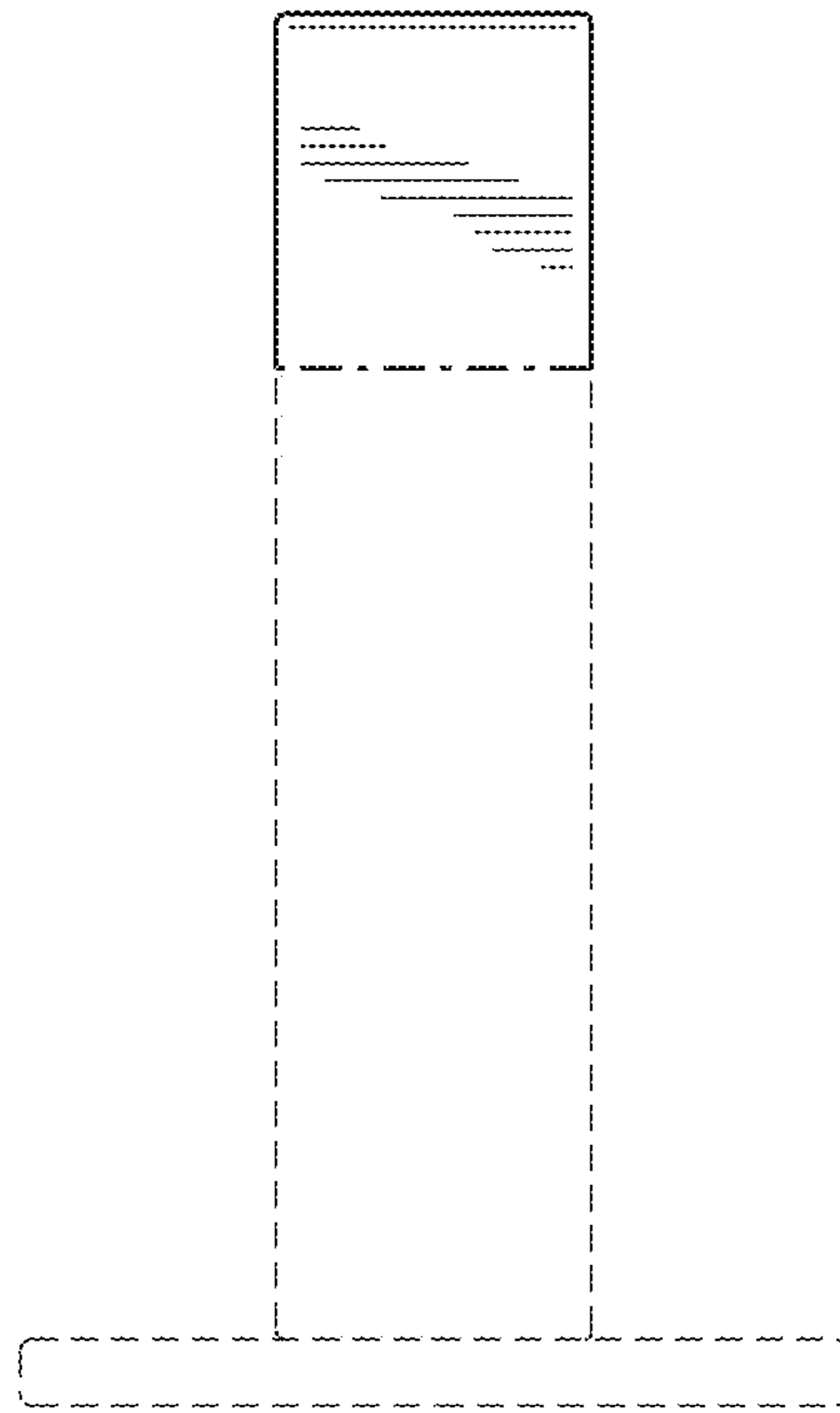


FIG. 3

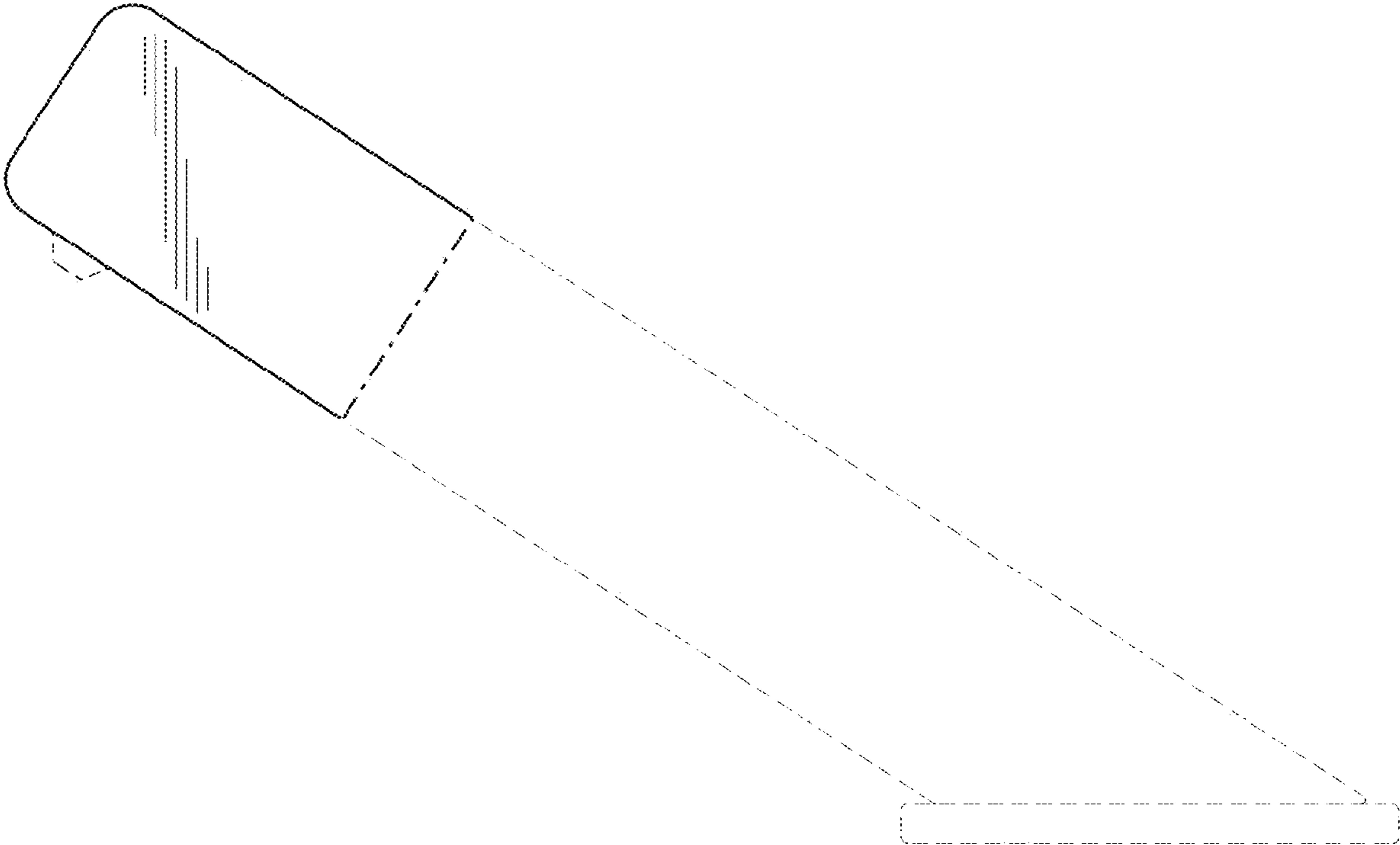


FIG. 4

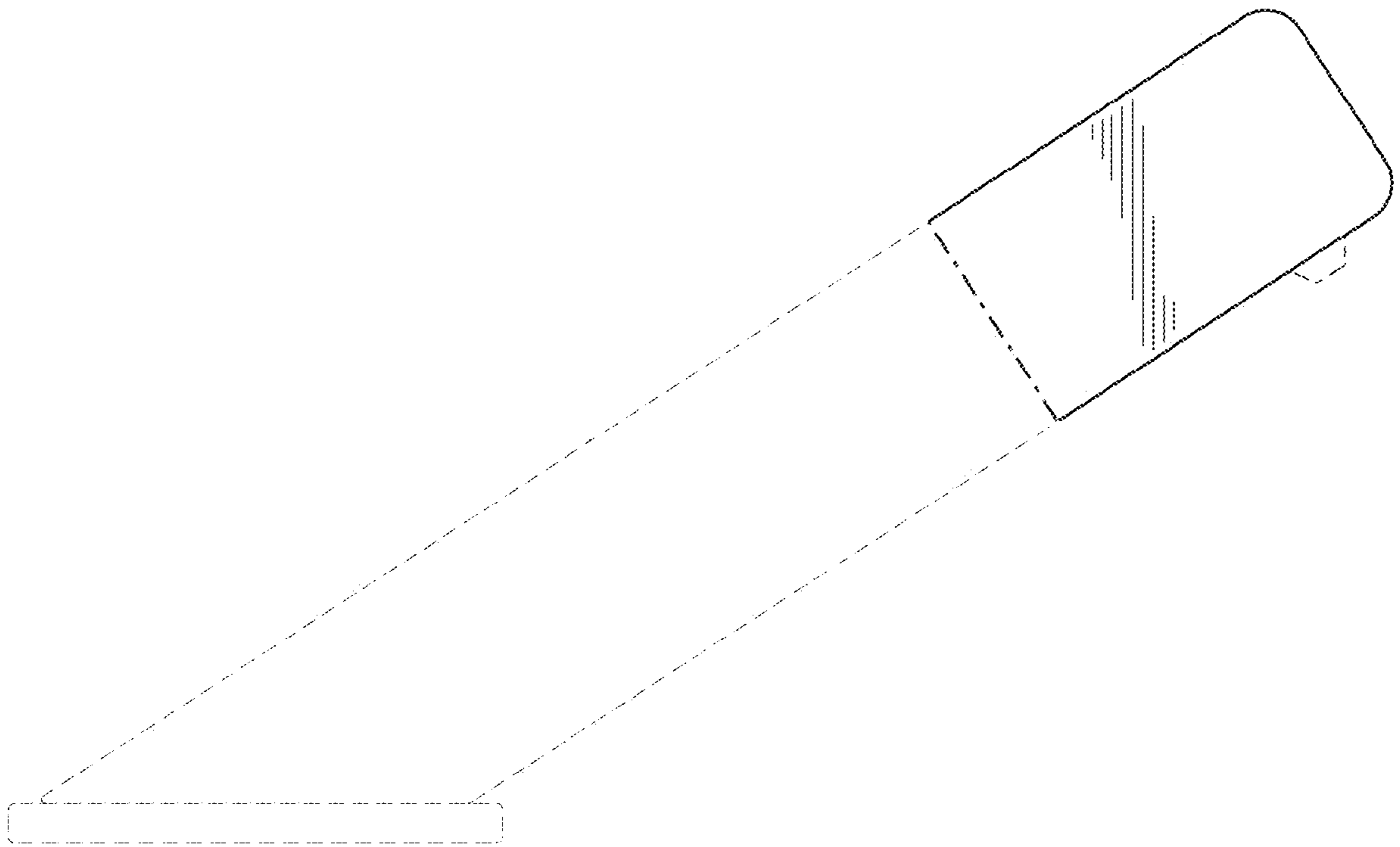


FIG. 5

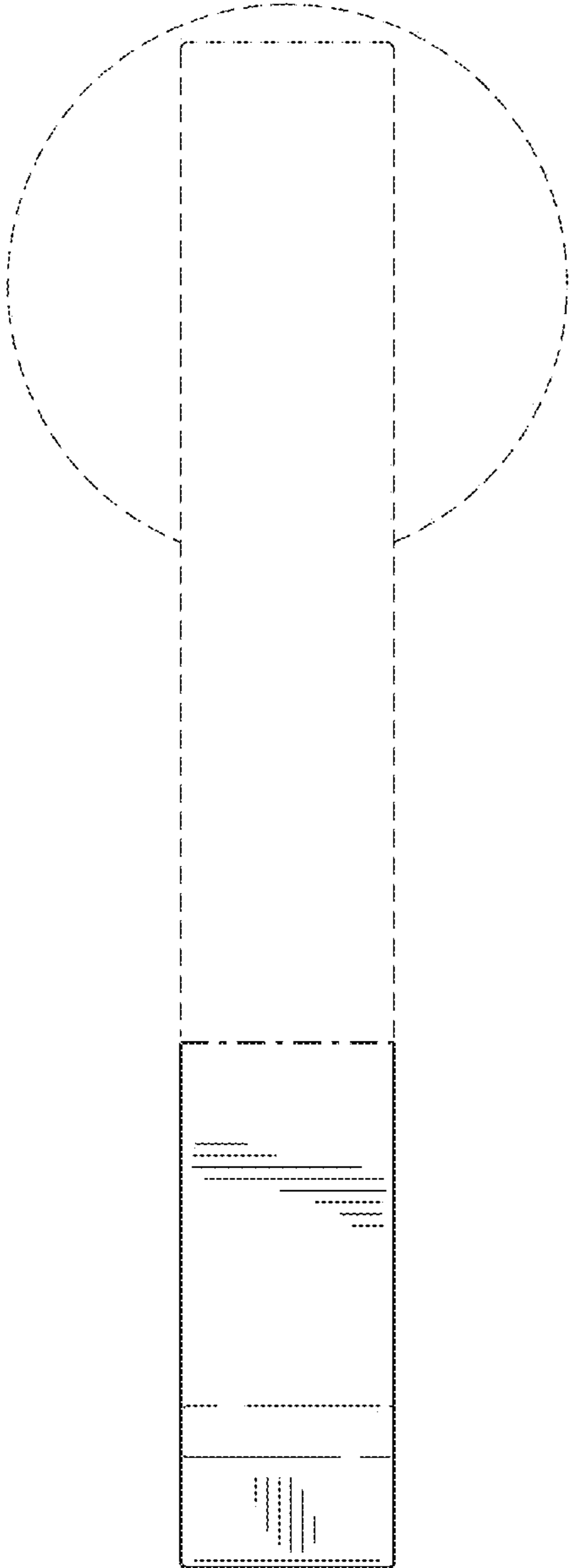


FIG. 6

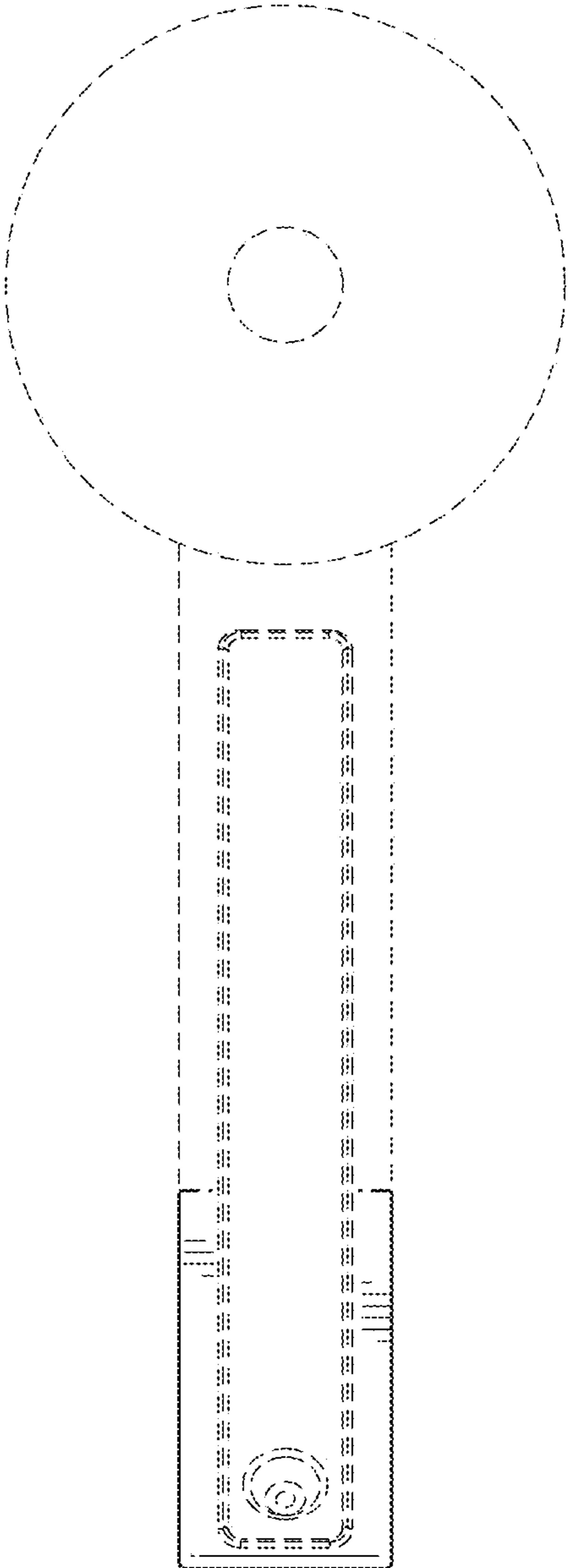


FIG. 7