



US00D985304S

(12) **United States Design Patent** (10) **Patent No.:** **US D985,304 S**
Li (45) **Date of Patent:** **** May 9, 2023**

(54) **HOT TUB TRAY**
(71) Applicant: **Nanjing Yosta Textile Technology Co., Ltd, Nanjing (CN)**
(72) Inventor: **Xiaoyan Li, Nanjing (CN)**
(**) Term: **15 Years**
(21) Appl. No.: **29/852,560**
(22) Filed: **Sep. 8, 2022**
(51) **LOC (14) Cl.** **06-04**
(52) **U.S. Cl.**
USPC **D6/574; D7/552.1**
(58) **Field of Classification Search**
USPC D6/512, 513, 524, 525, 527, 553, 566,
D6/567, 572, 573, 574, 707.16;
D7/550.1, 552.1, 553.1, 553.2, 553.3,
D7/553.4, 553.5, 553.6, 553.7, 554.2,
D7/554.3, 554.4; D23/304
CPC . A47K 3/00; A47K 3/004; A47K 1/09; A47K
1/08
See application file for complete search history.

D447,900 S 9/2001 Wright
D448,225 S 9/2001 Wright
7,080,416 B1* 7/2006 Portnell A47K 3/001
211/119.011
D670,520 S 11/2012 Gilbert
D690,127 S 9/2013 Markwick
D848,178 S 5/2019 Karata§
D854,853 S 7/2019 Bearsch
D855,347 S 8/2019 Mizrahi
D929,766 S 9/2021 Huang
D937,605 S 12/2021 Su
(Continued)

Primary Examiner — Marie D. Fast Horse
Assistant Examiner — Jennifer Sierra Yosinski
(74) *Attorney, Agent, or Firm* — Rumit Ranjit Kanakia

(57) **CLAIM**

The ornamental design for a hot tub tray, as shown and described.

DESCRIPTION

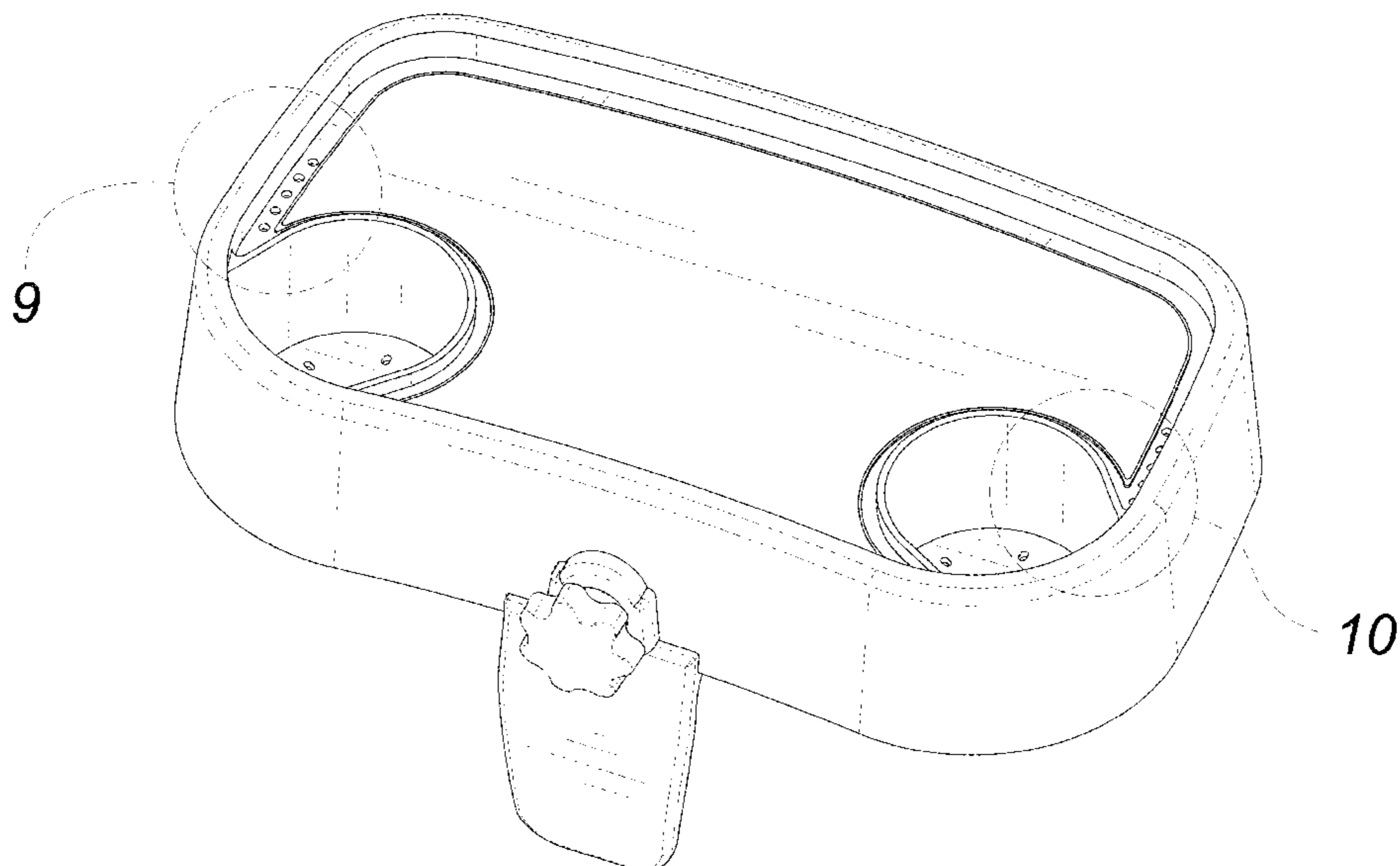
FIG. 1 is a perspective view of the set of a hot tub tray, showing my new design;
FIG. 2 is another perspective view thereof;
FIG. 3 is a front elevational view thereof;
FIG. 4 is a rear elevational view thereof;
FIG. 5 is a left side view thereof;
FIG. 6 is a right side view thereof;
FIG. 7 is a top plan view thereof;
FIG. 8 is a bottom plan view thereof;
FIG. 9 is a partial enlarged view of FIG. 1;
FIG. 10 is a partial enlarged view of FIG. 1;
FIG. 11 is a partial enlarged view of FIG. 2;
FIG. 12 is a partial enlarged view of FIG. 2;
FIG. 13 is a partial enlarged view of FIG. 2; and,
FIG. 14 is a partial enlarged view of FIG. 2.
The broken lines in the drawings depict reference to the enlargements shown in the figures and form no part of the claim.

1 Claim, 11 Drawing Sheets

(56) **References Cited**

U.S. PATENT DOCUMENTS

1,593,834 A * 7/1926 McNeal A47B 31/06
D7/552.1
D137,442 S * 3/1944 Nordby D6/707.16
2,650,651 A * 9/1953 Choate A47C 7/68
D7/552.1
2,672,182 A * 3/1954 Gwin A47D 15/00
297/188.2
3,185,113 A * 5/1965 Nathan A47C 7/705
108/18
D270,506 S * 9/1983 Thorne D7/552.1
D342,806 S * 12/1993 Jones D24/227
D413,209 S * 8/1999 Jarke D7/550.1
D441,996 S 5/2001 Wright
D442,442 S * 5/2001 Goldsborough D7/701
D442,812 S * 5/2001 McMahon D6/525



(56)

References Cited

U.S. PATENT DOCUMENTS

D955,138 S *	6/2022	Lin	D6/574
D976,056 S *	1/2023	Huang	D7/552.1
D979,976 S *	3/2023	Liao	D6/525
2004/0226486 A1 *	11/2004	Simpson	A47B 13/16 108/47

* cited by examiner

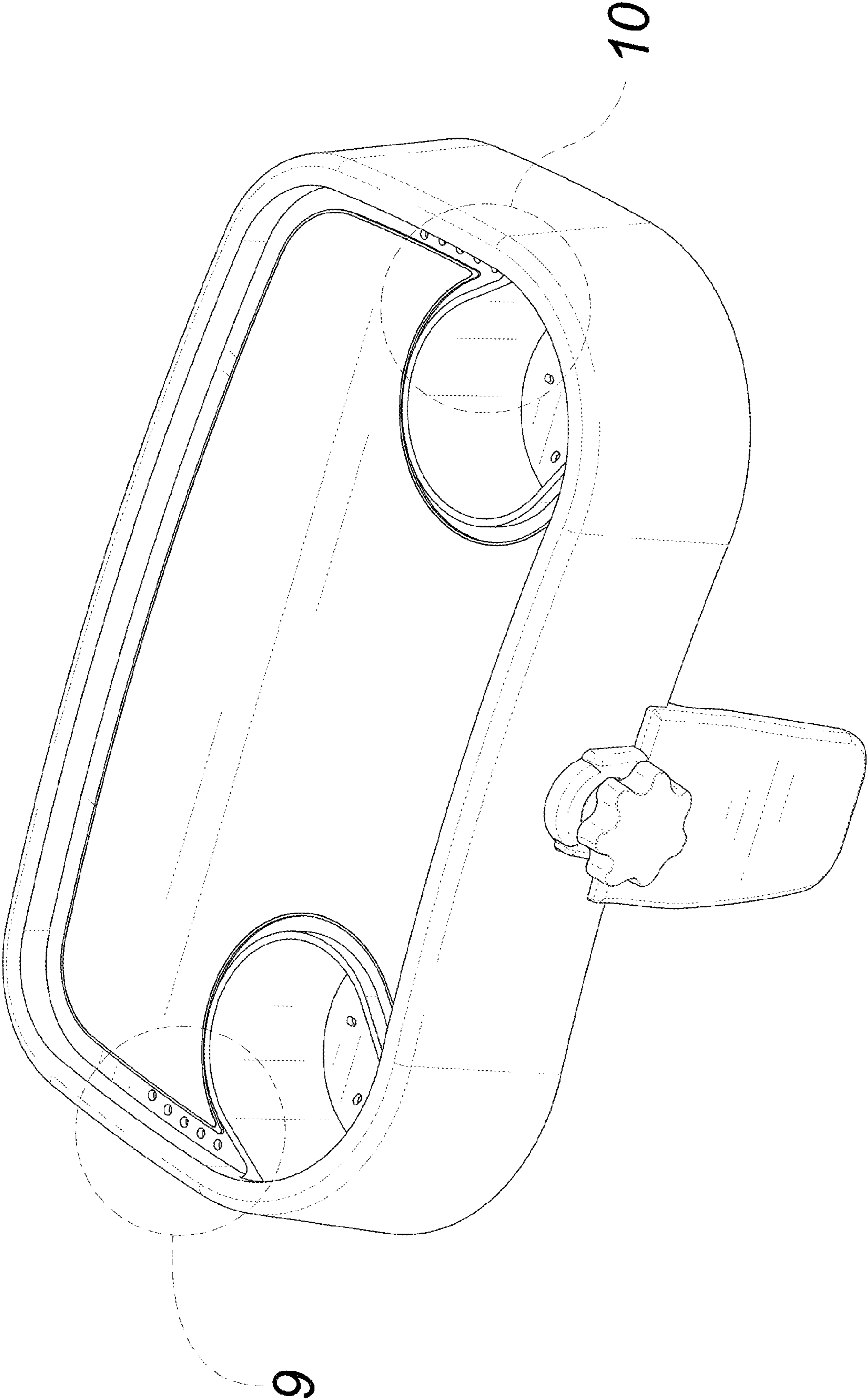


FIG. 1

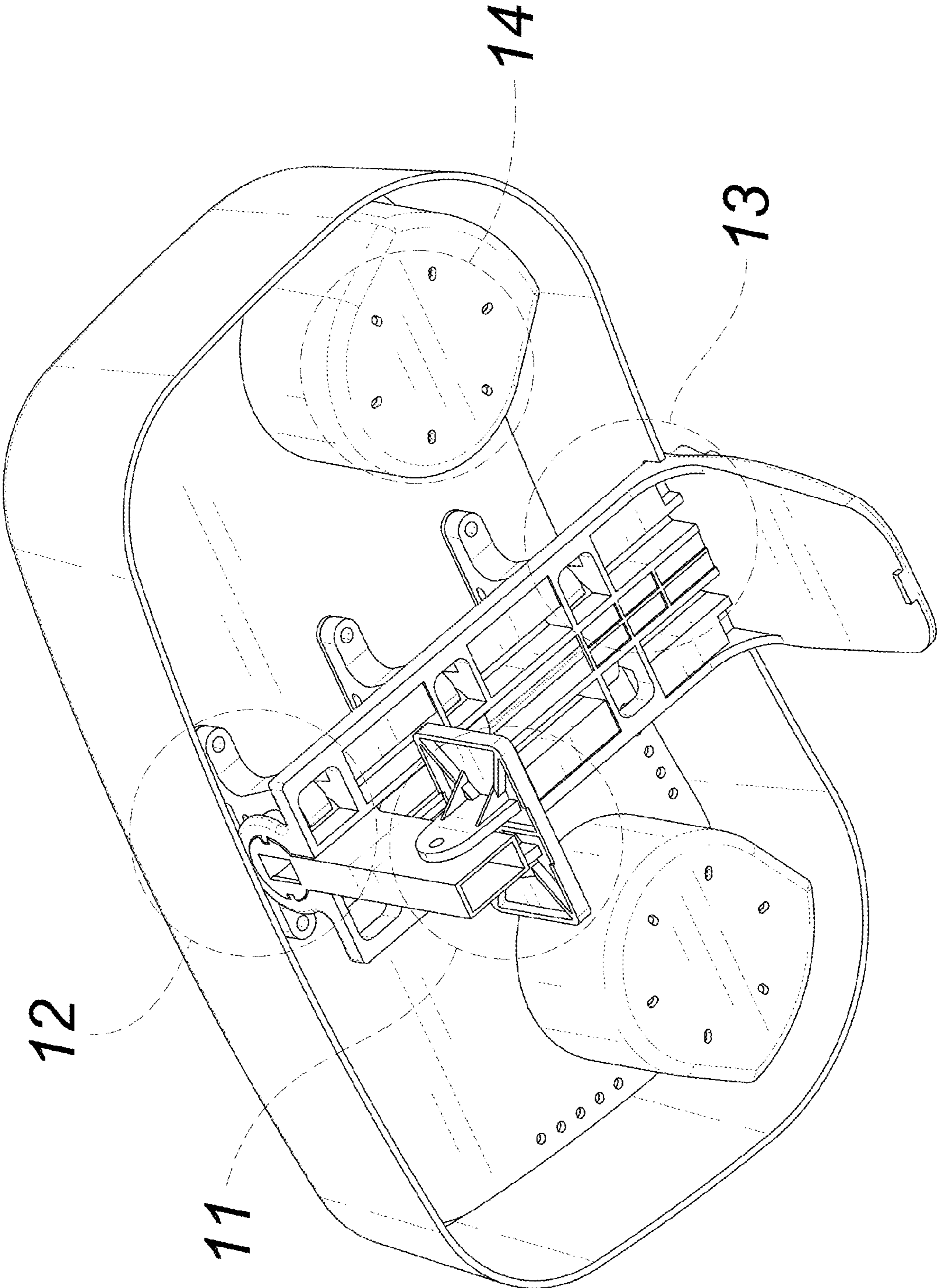


FIG. 2

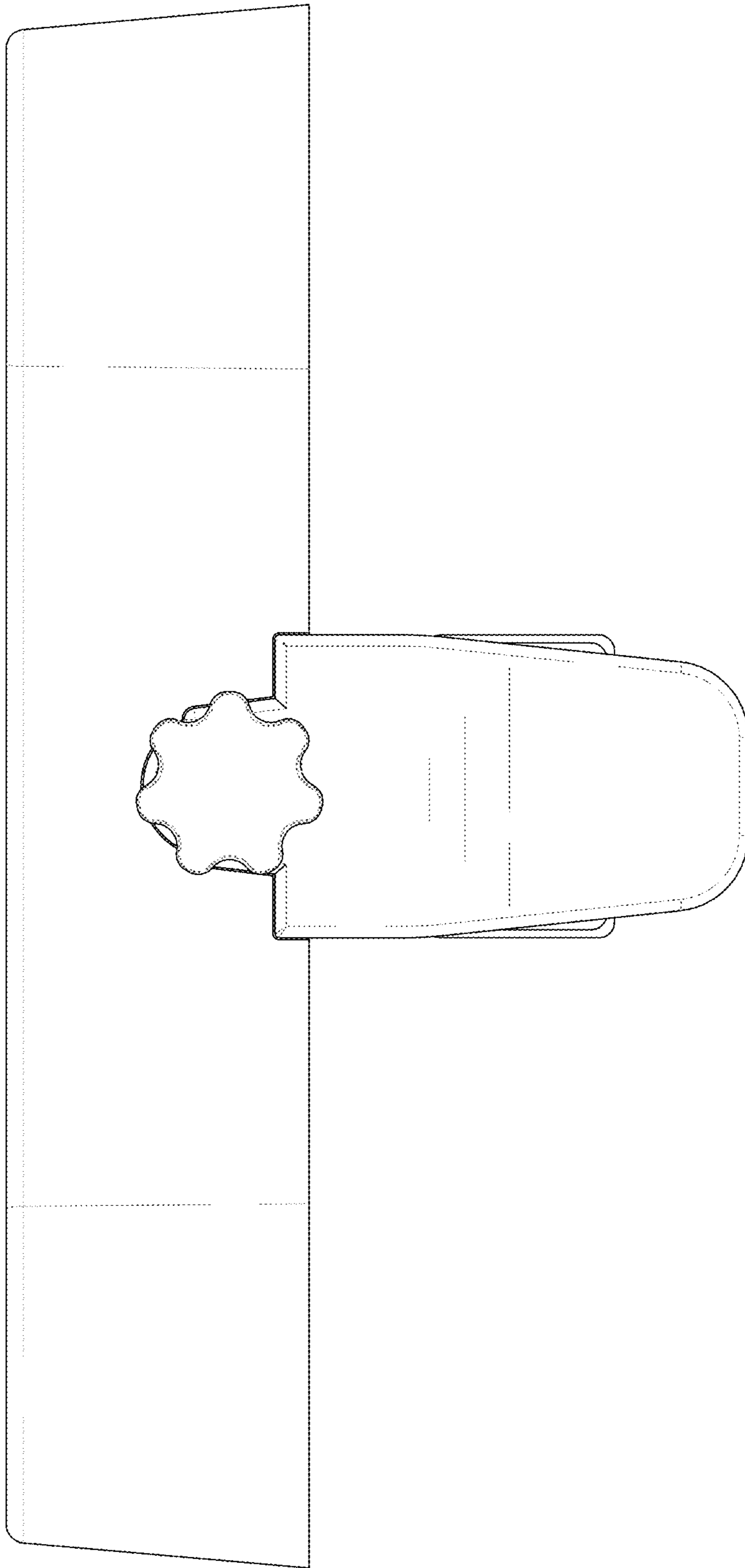


FIG. 3

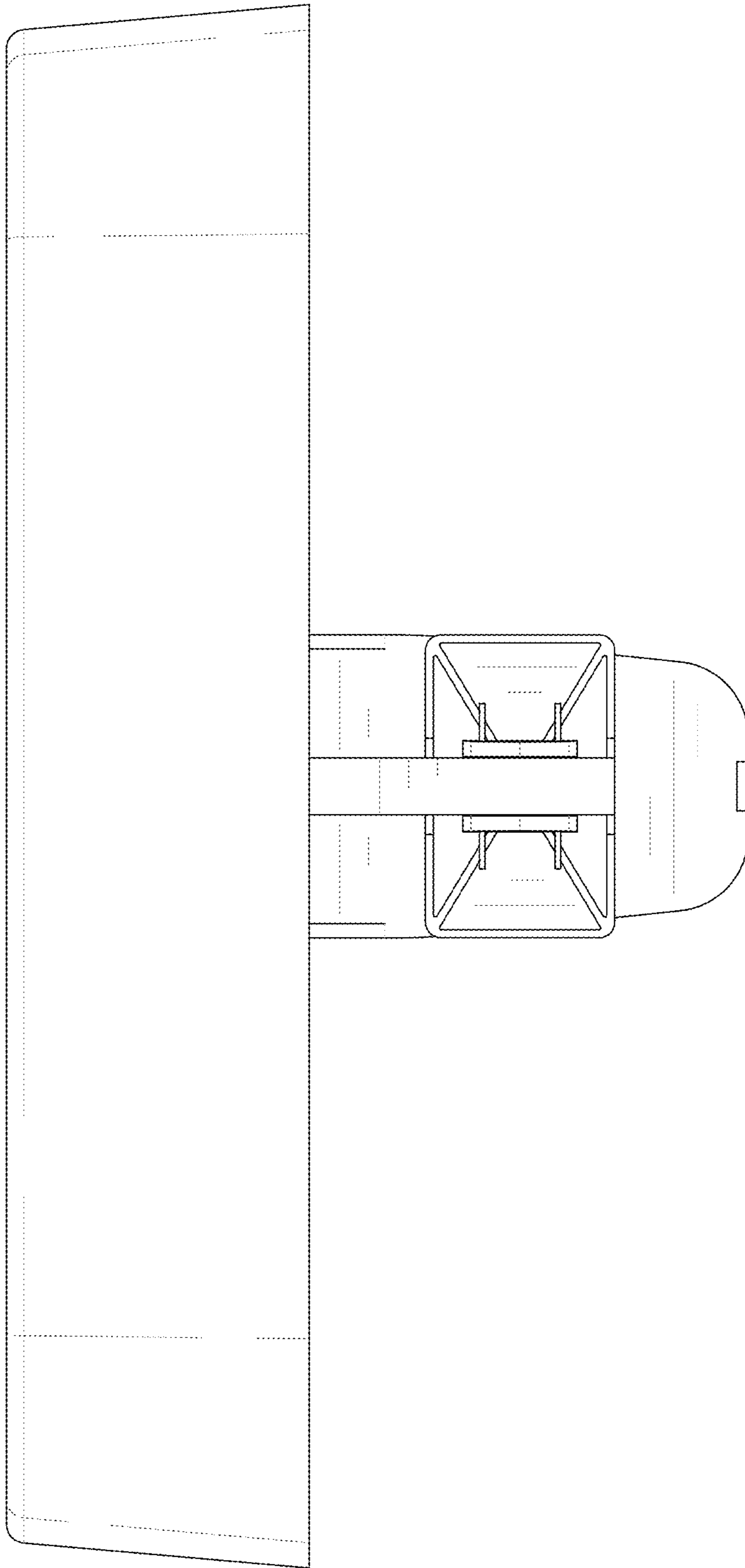


FIG. 4

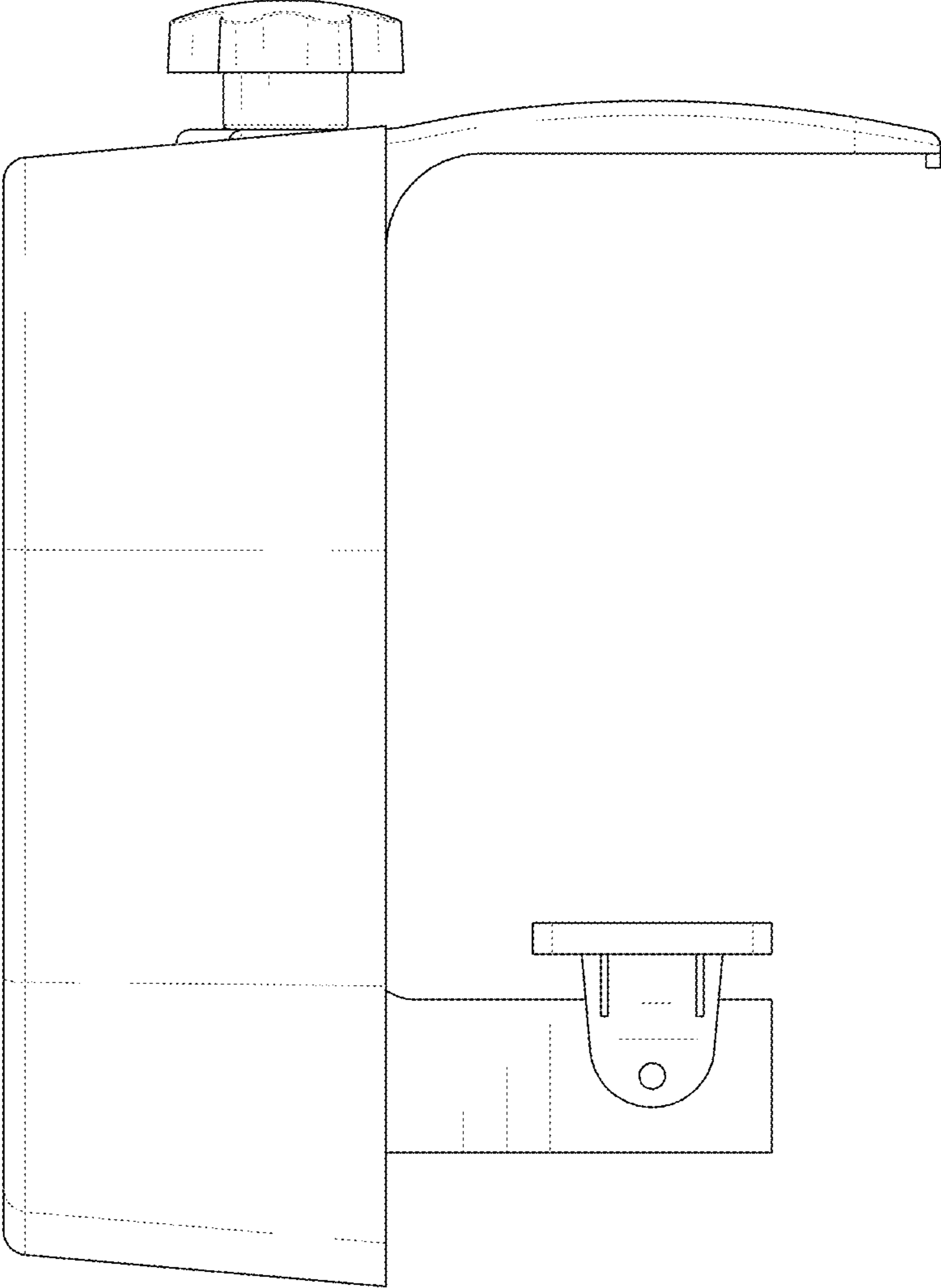


FIG. 5

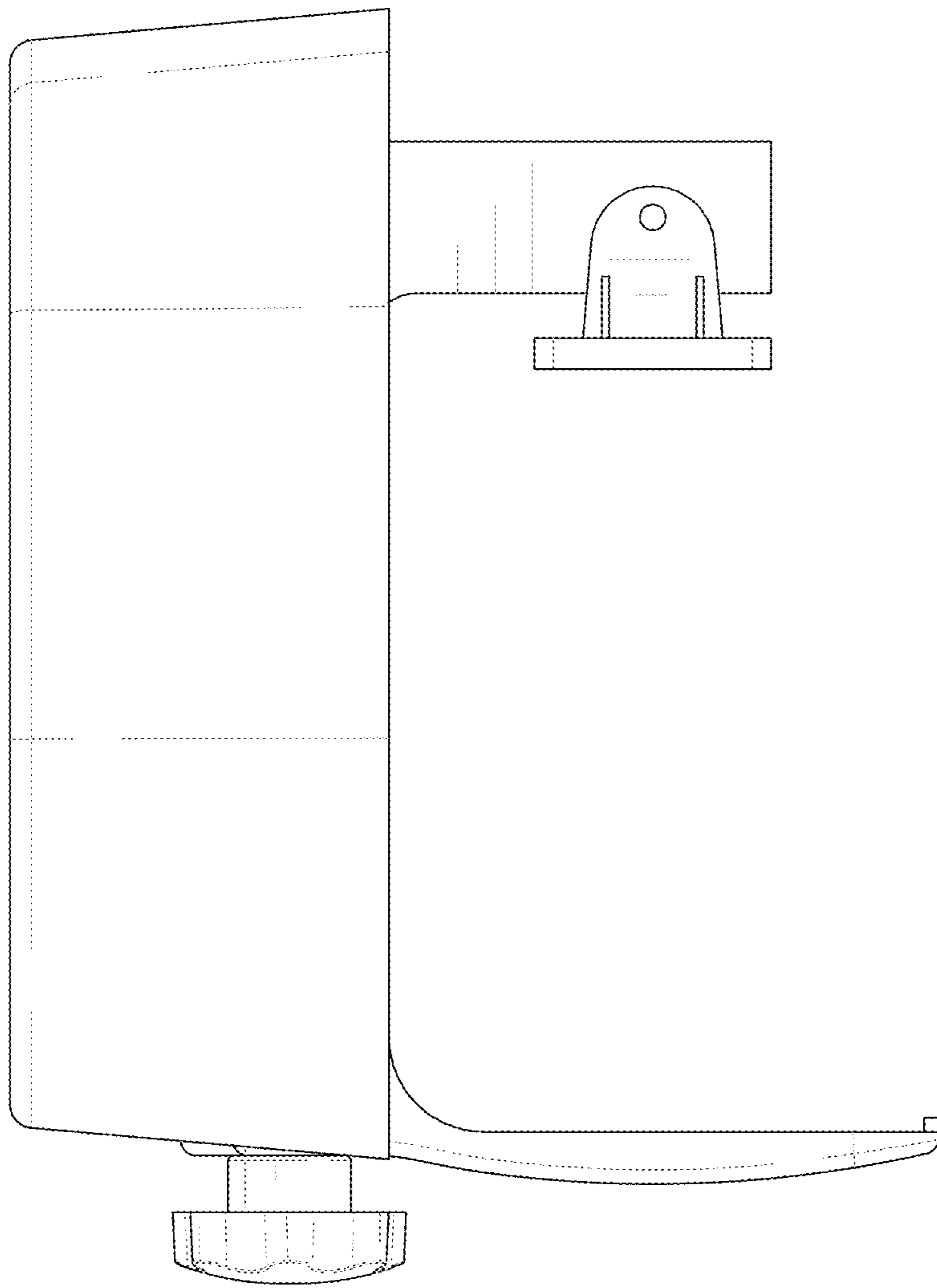


FIG. 6

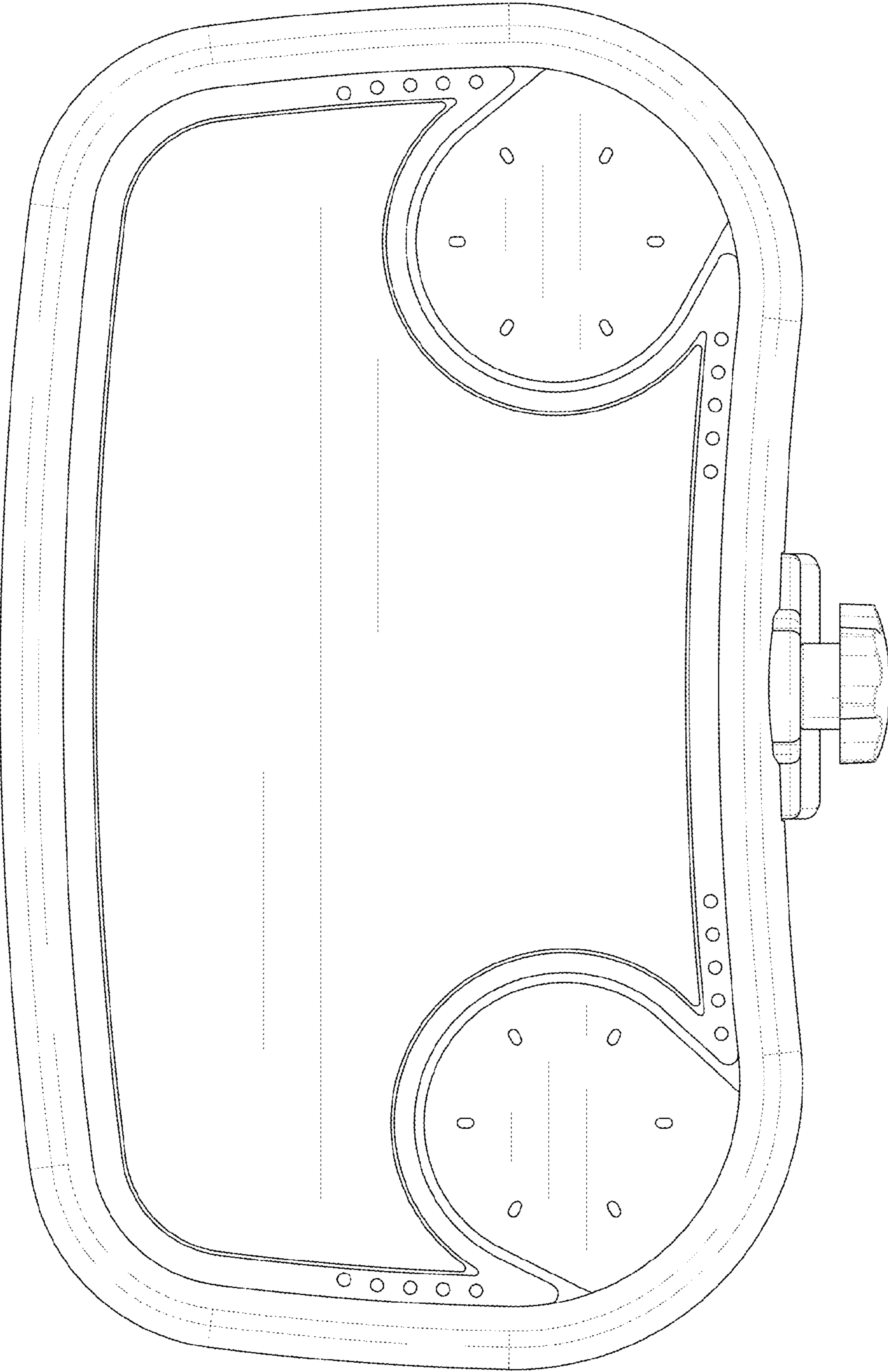


FIG. 7

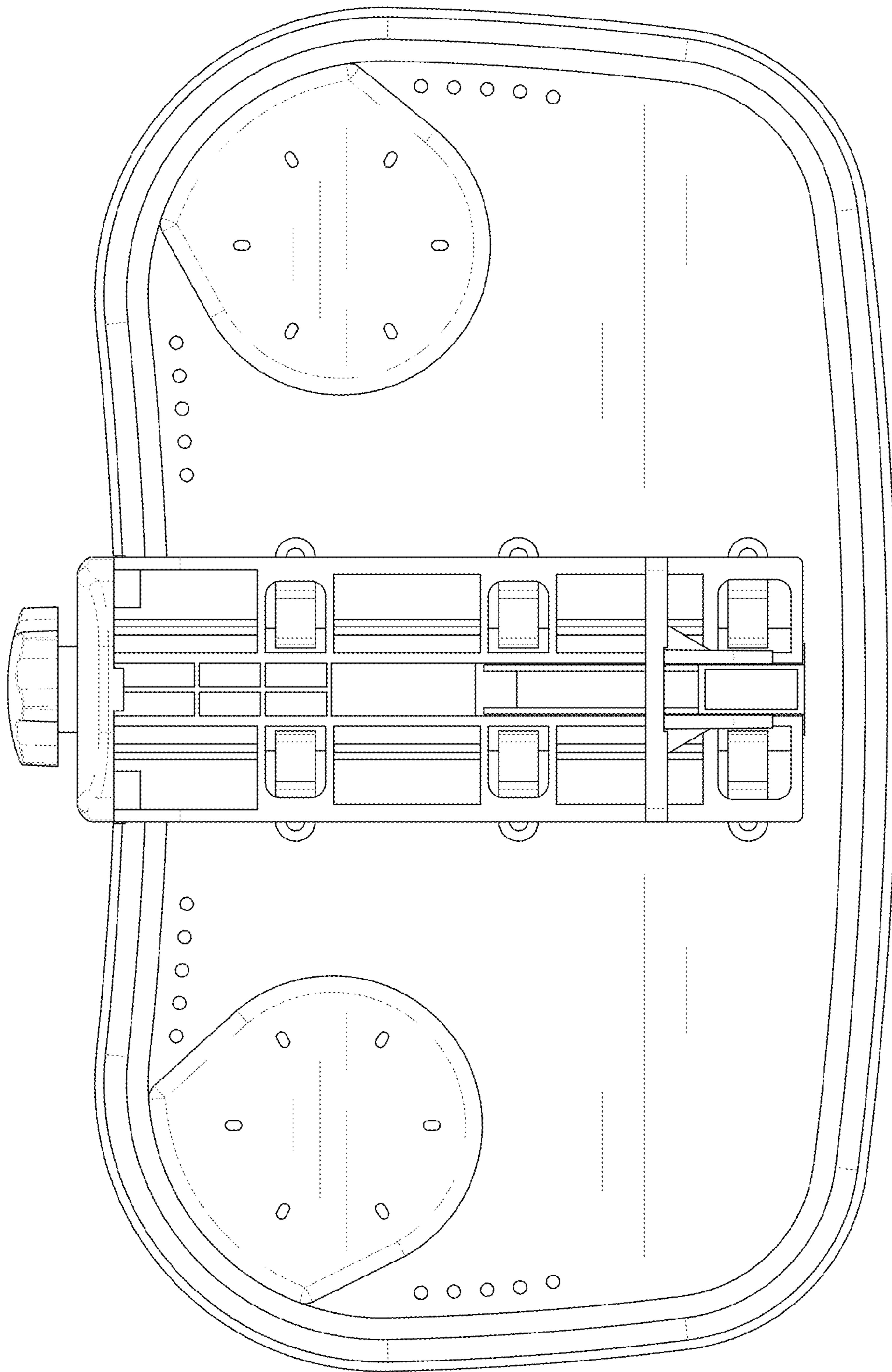


FIG. 8

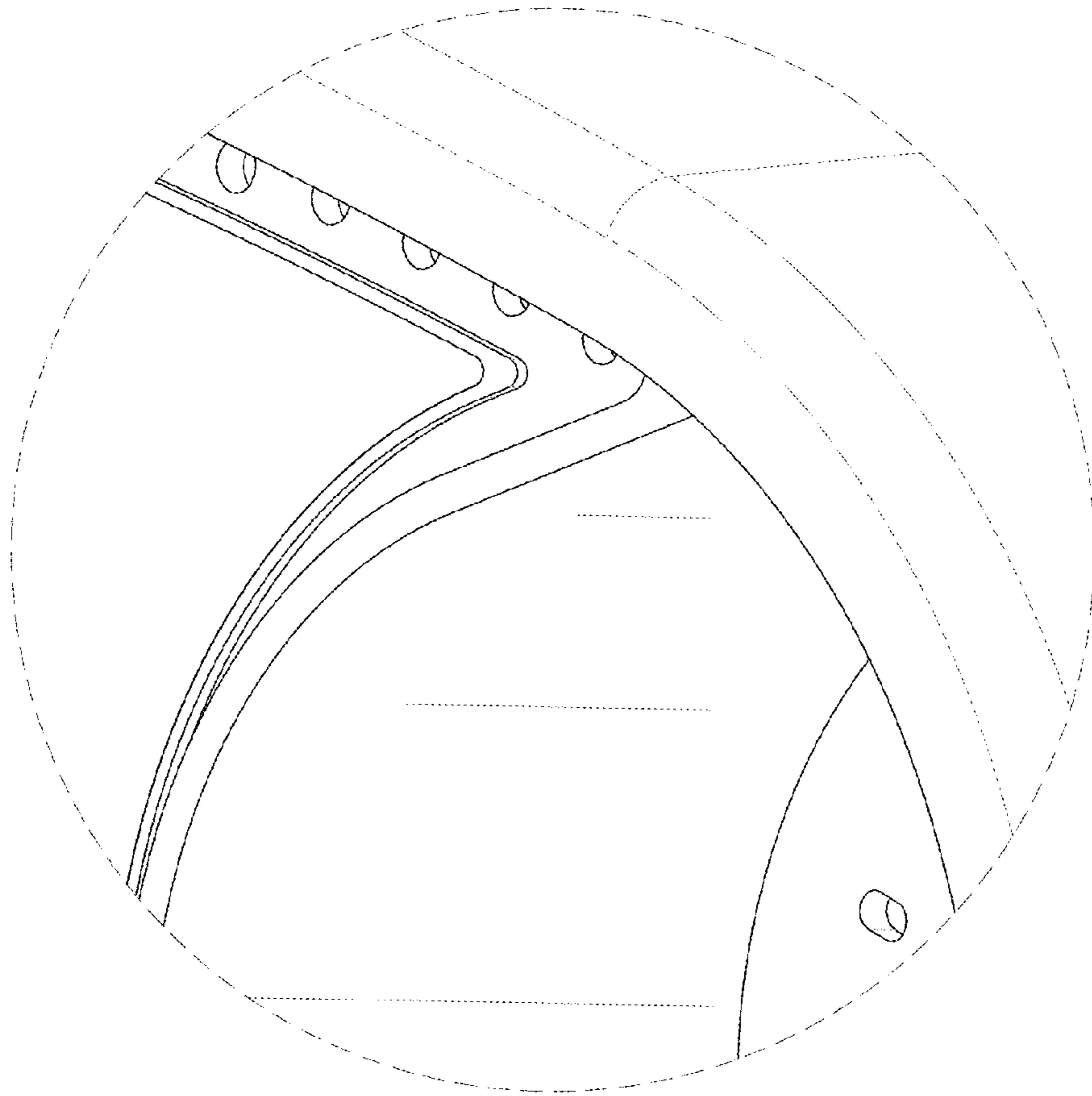


FIG. 9

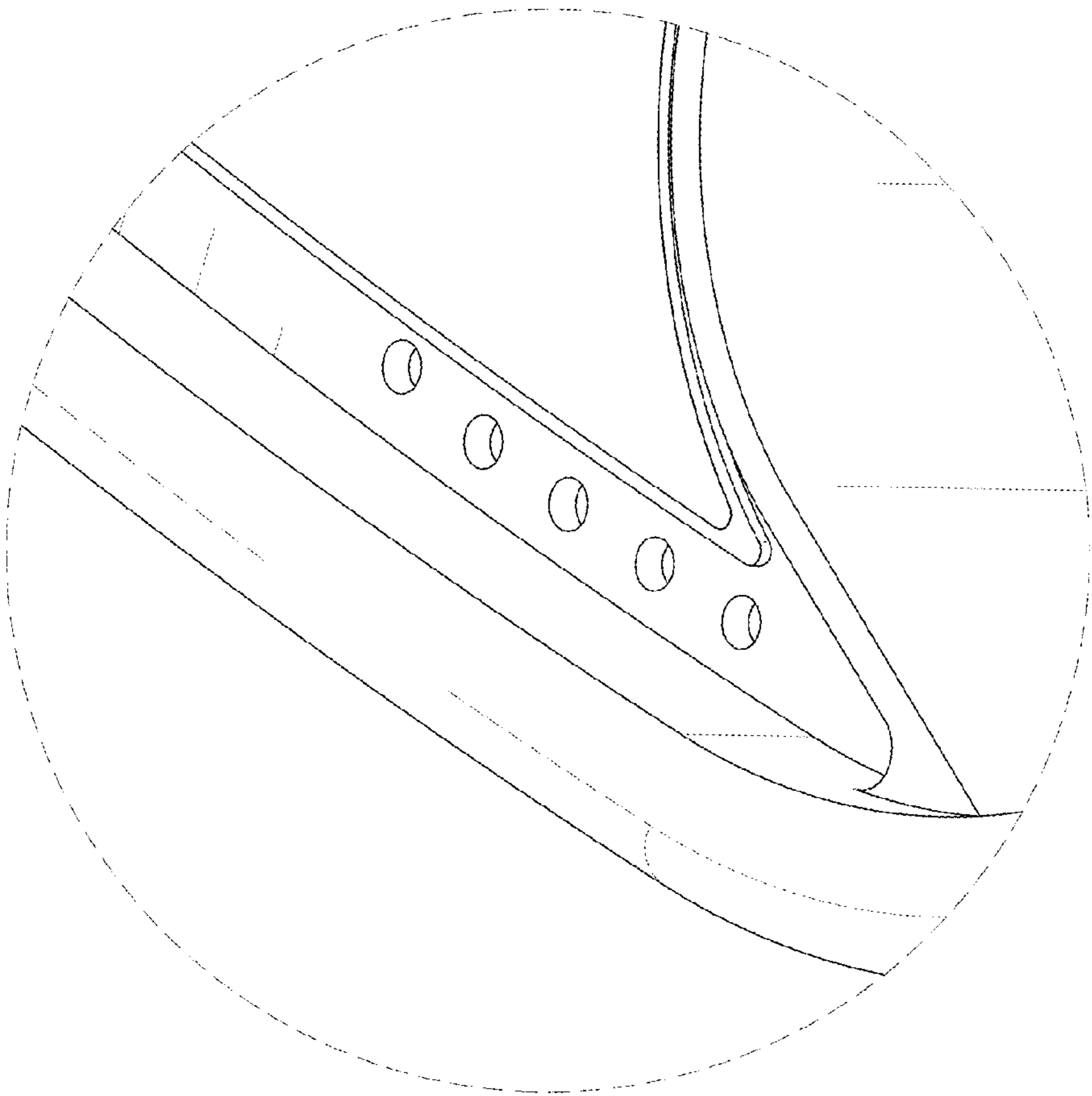


FIG. 10

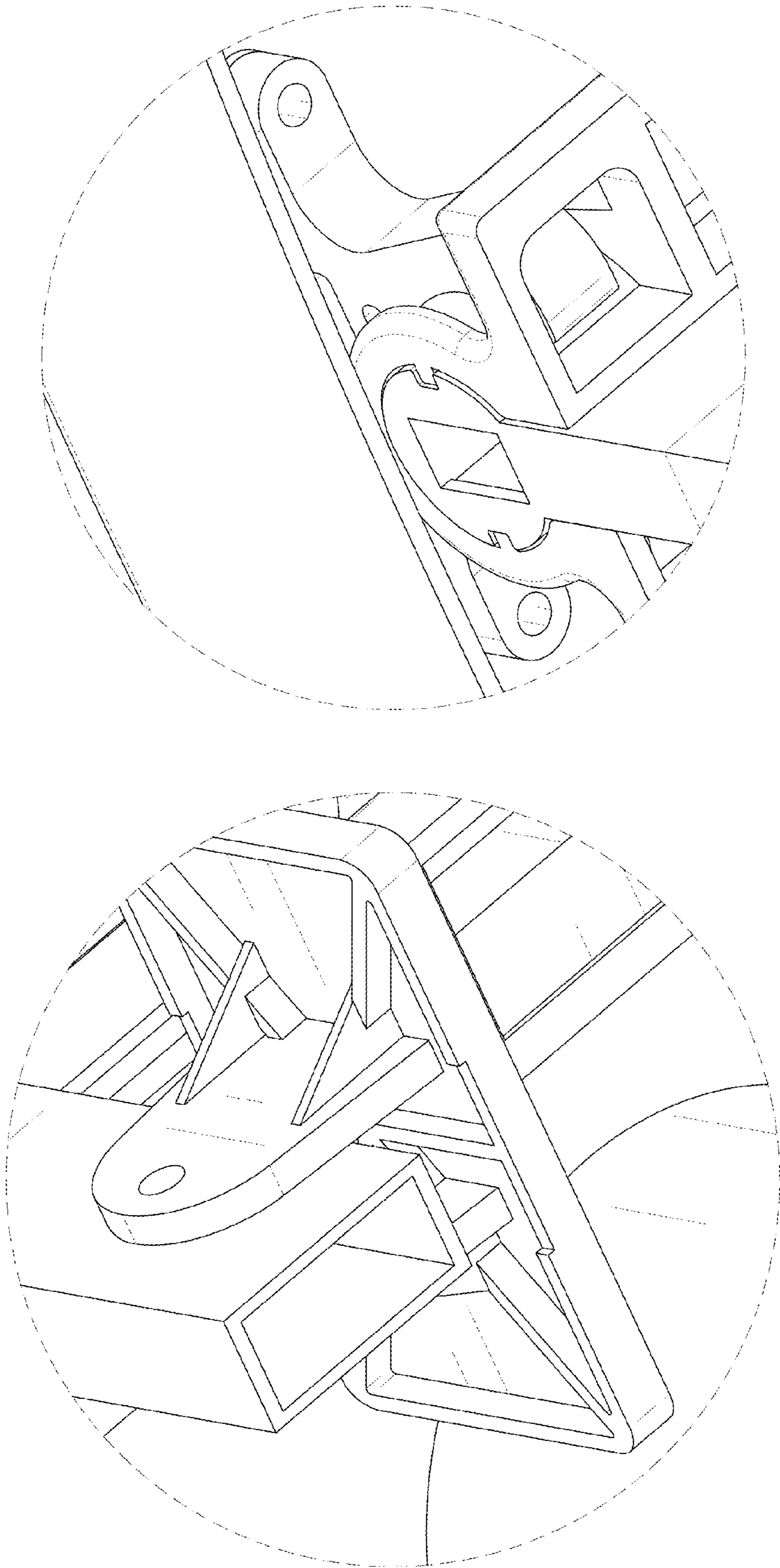


FIG. 12

FIG. 11

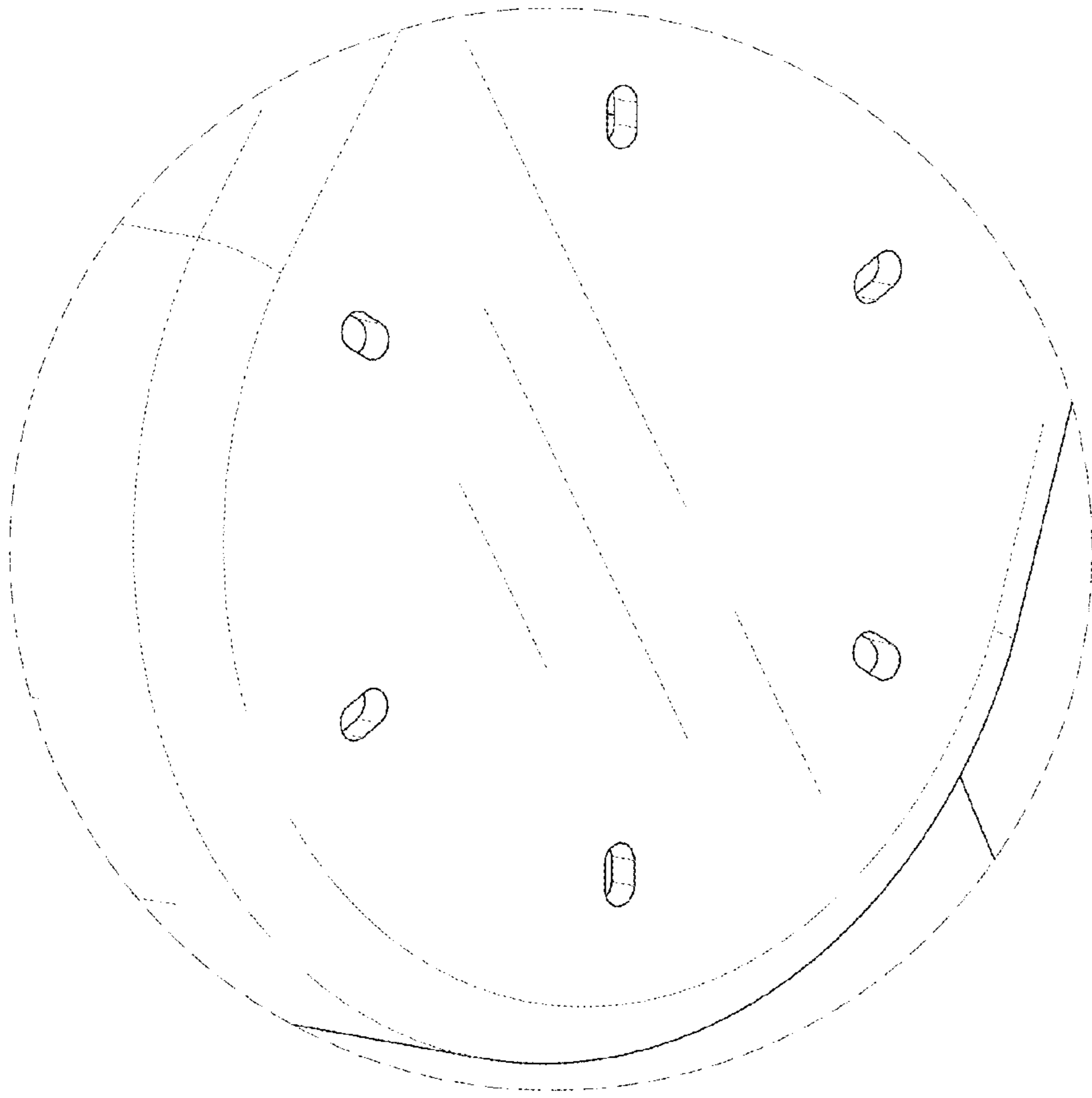


FIG. 14

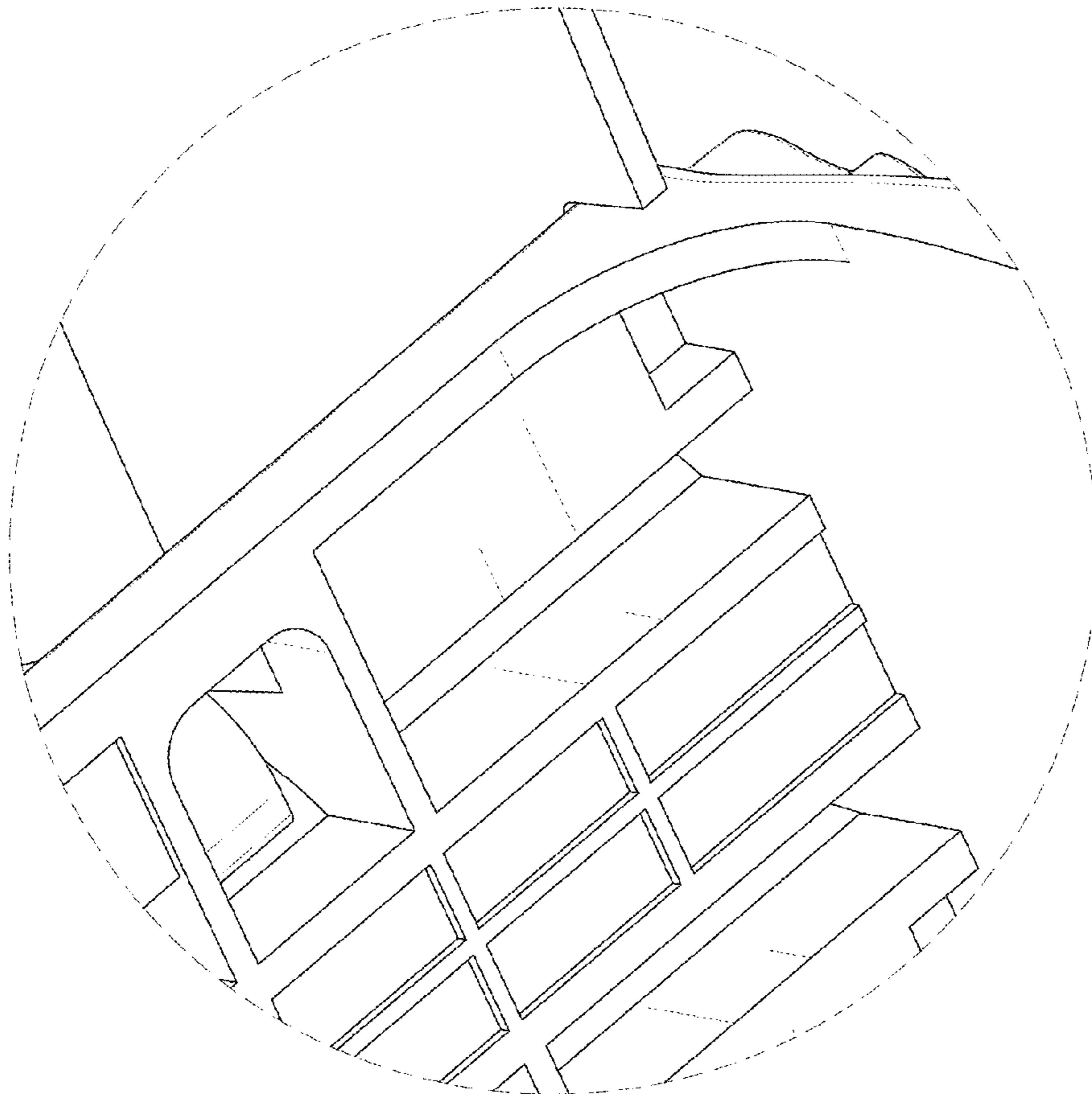


FIG. 13