



US00D985303S

(12) **United States Design Patent** (10) **Patent No.:** **US D985,303 S**  
**Chalko et al.** (45) **Date of Patent:** **\*\* May 9, 2023**

(54) **CLEANING PRODUCT DISPENSER**

D504,041 S \* 4/2005 Dudley ..... D6/522  
D553,402 S \* 10/2007 Orgna ..... D6/518  
D615,329 S \* 5/2010 Meyerhoffer ..... D6/518

(71) Applicant: **Kimberly-Clark Worldwide, Inc.**,  
Neenah, WI (US)

(Continued)

(72) Inventors: **Eric M. Chalko**, Alpharetta, GA (US);  
**Alice S. Gordon**, Roswell, GA (US);  
**Alyssa G. Mellett**, Atlanta, GA (US);  
**Julia B. Kemper**, Elmhurst, IL (US);  
**Suzuko Hisata**, Atlanta, GA (US)

FOREIGN PATENT DOCUMENTS

EM 008778211-0001 \* 12/2021

(73) Assignee: **Kimberly-Clark Worldwide, Inc.**,  
Neenah, WI (US)

OTHER PUBLICATIONS

Kimberly Clark Professional ICON Collection Australia How to change Faceplate without screws Video, published in YouTube on Jun. 7, 2022 [online], Retrieved on Jul. 26, 2022 from URL: <https://www.youtube.com/watch?v=mID-OzrJByl> (Year: 2022).\*

(\*\*) Term: **15 Years**

*Primary Examiner* — Vy N Koenig  
*Assistant Examiner* — Michelle M Reeves

(21) Appl. No.: **29/786,294**

(57) **CLAIM**

(22) Filed: **May 31, 2021**

The ornamental design for a cleaning product dispenser, as shown and described.

(51) **LOC (14) Cl.** ..... **06-06**

(52) **U.S. Cl.**

USPC ..... **D6/522; D6/518**

**DESCRIPTION**

(58) **Field of Classification Search**

USPC ..... D6/518, 524, 542-545, 519, 522, 523;  
D7/306, 312, 313, 321, 322, 391, 397,  
D7/398, 307, 309, 600.1, 601, 619.1;  
D8/71; D9/455; D15/145; D20/1;  
D23/208, 234, 286; D24/128, 234;  
D28/38, 54.1

CPC ..... A47K 5/12; A47K 5/14; A47K 5/1207;  
A47K 10/36; A47K 10/38; A47K 10/3687

See application file for complete search history.

FIG. 1 is a perspective view showing our new design for a cleaning product dispenser;  
FIG. 2 is a front view of the embodiment of FIG. 1;  
FIG. 3 is a back view of the embodiment of FIG. 1;  
FIG. 4 is a right side view of the embodiment of FIG. 1;  
FIG. 5 is a left side view of the embodiment of FIG. 1;  
FIG. 6 is a top view of the embodiment of FIG. 1;  
FIG. 7 is a bottom view of the embodiment of FIG. 1;  
FIG. 8 is a perspective view showing a second embodiment of our new design for a cleaning product dispenser;  
FIG. 9 is a front view of the embodiment of FIG. 8;  
FIG. 10 is a back view of the embodiment of FIG. 8;  
FIG. 11 is a right side view of the embodiment of FIG. 8;  
FIG. 12 is a left side view of the embodiment of FIG. 8;  
FIG. 13 is a top view of the embodiment of FIG. 8; and,  
FIG. 14 is a bottom view of the embodiment of FIG. 8.

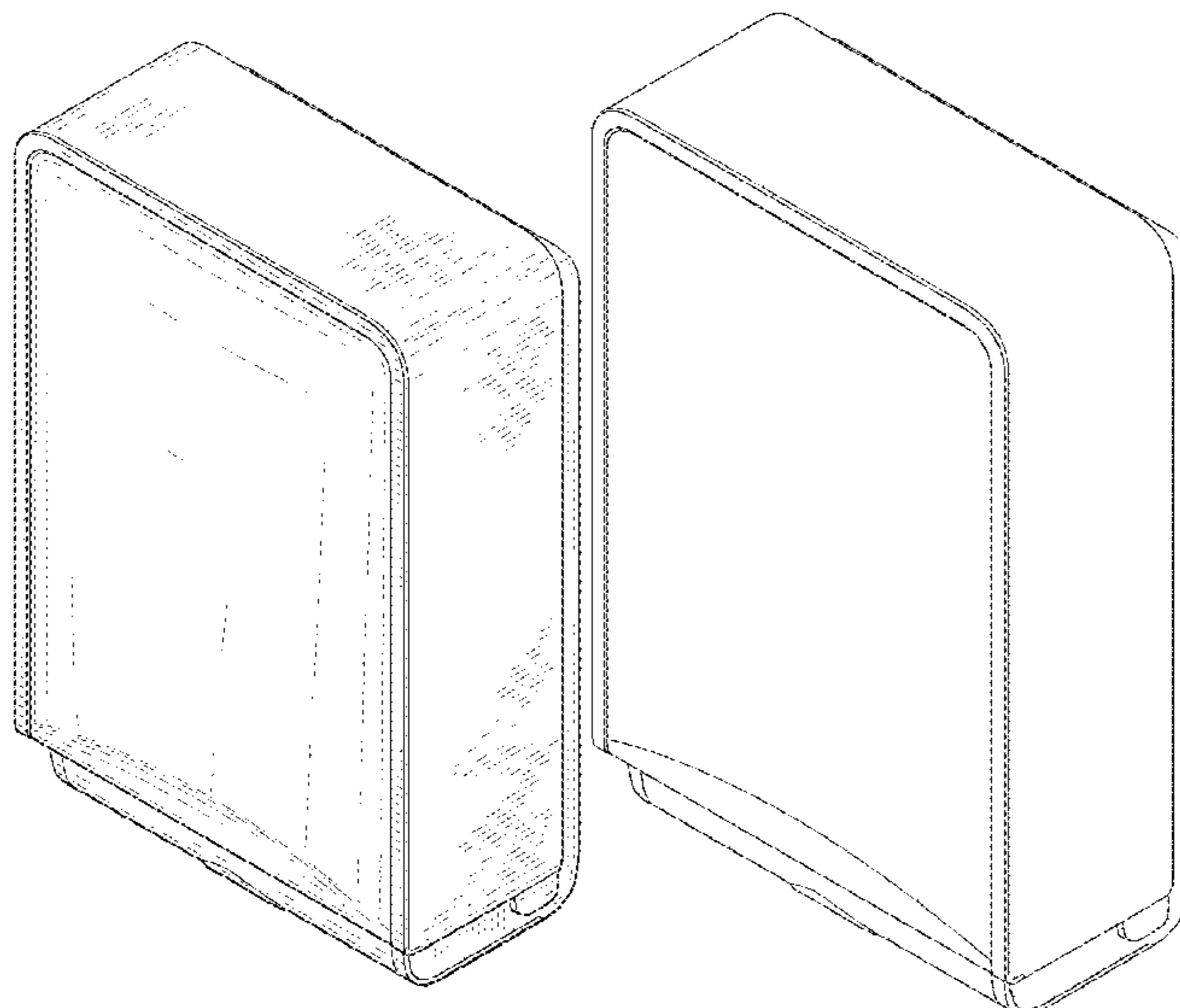
In the figures, the broken lines represent unclaimed subject matter and form no part of the claim.

(56) **References Cited**

U.S. PATENT DOCUMENTS

D310,759 S \* 9/1990 Breger ..... D6/523  
D310,923 S \* 10/1990 Breger ..... D6/522  
D332,194 S \* 1/1993 Hines ..... D6/522  
D332,214 S \* 1/1993 Mulder ..... D9/733  
D342,407 S \* 12/1993 Morand ..... D6/522  
D385,445 S \* 10/1997 Arbak ..... D6/522

**1 Claim, 12 Drawing Sheets**



(56)

**References Cited**

U.S. PATENT DOCUMENTS

D646,850 S \* 10/2011 Curzon ..... A47K 10/48  
D28/54.1  
D670,518 S \* 11/2012 Kluck ..... D6/515  
D676,603 S \* 2/2013 Ishikawa ..... D28/54.1  
D677,085 S \* 3/2013 Velazquez ..... D6/518  
D740,587 S \* 10/2015 Sun Ting Kung ..... D6/518  
2011/0114661 A1\* 5/2011 Babikian ..... A47K 10/42  
221/45  
2018/0014702 A1\* 1/2018 Arlemark ..... A47K 5/12

\* cited by examiner

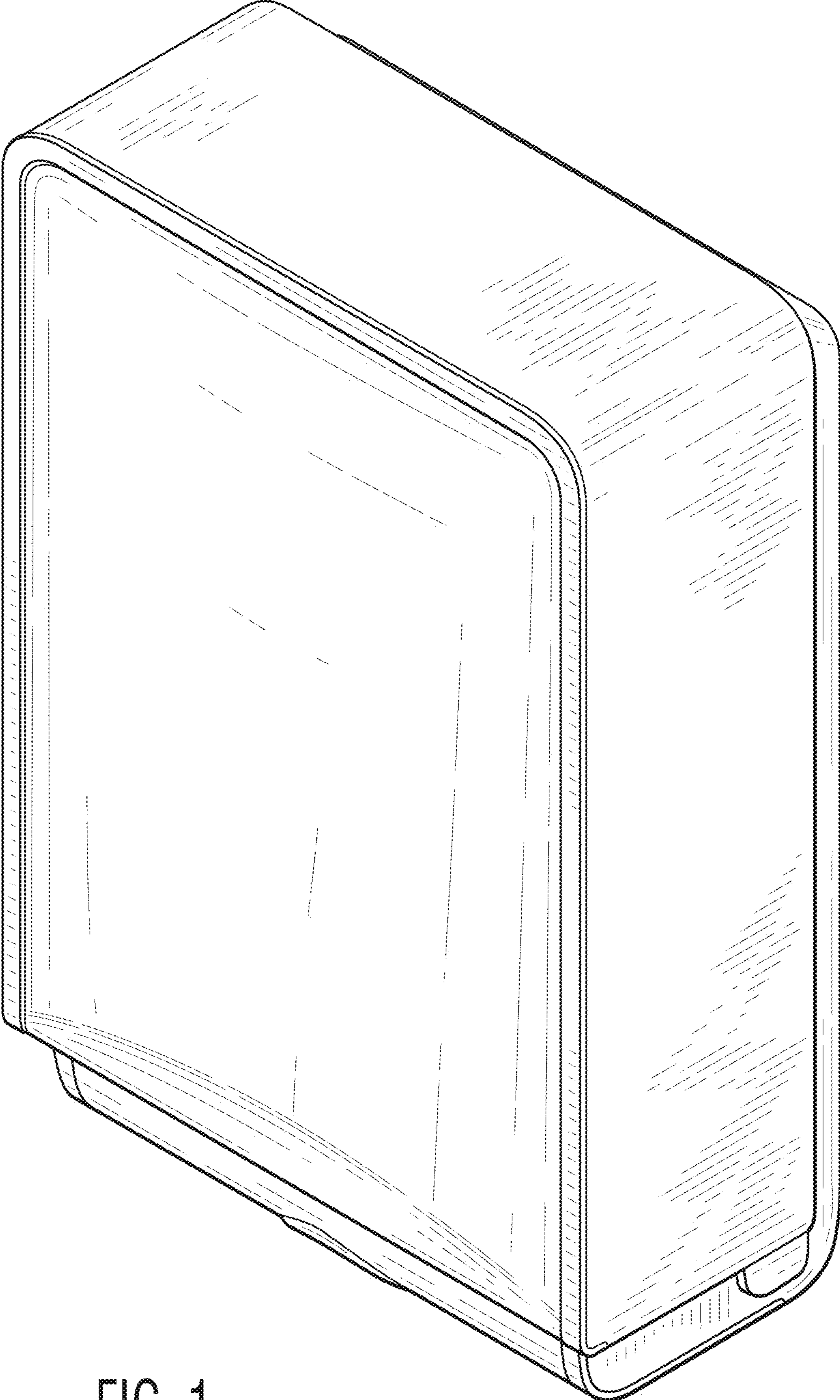


FIG. 1

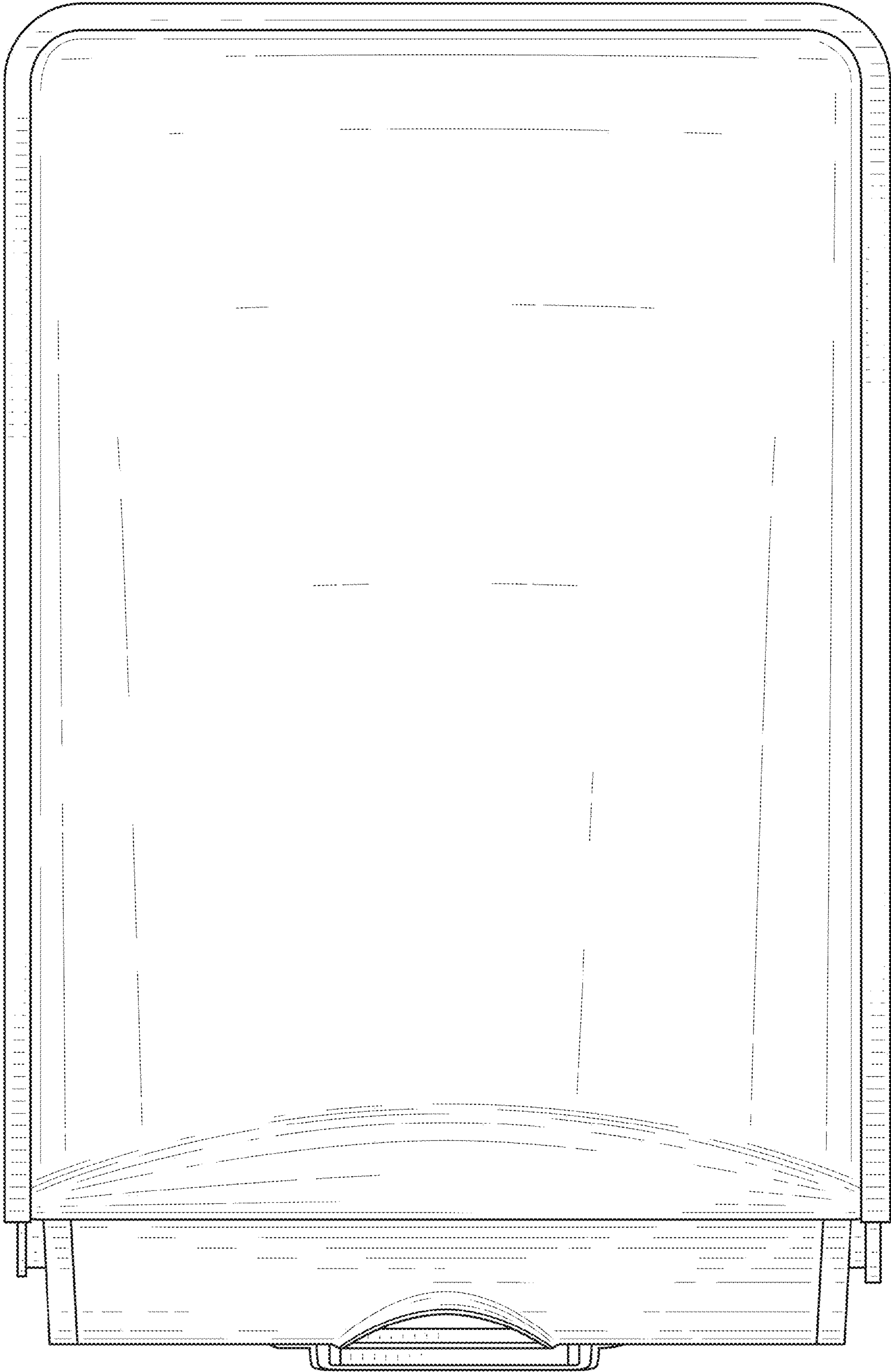


FIG. 2

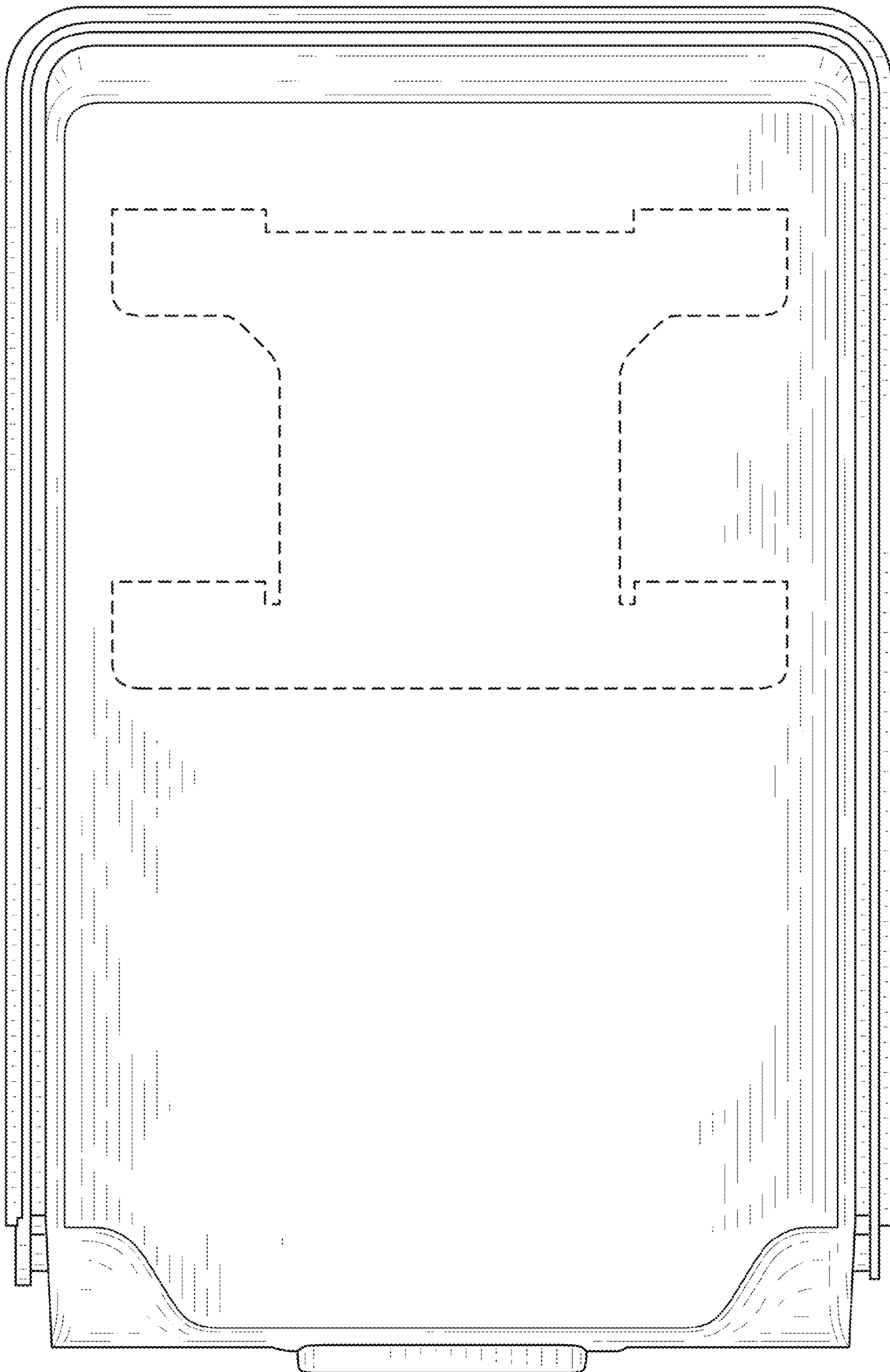


FIG.3

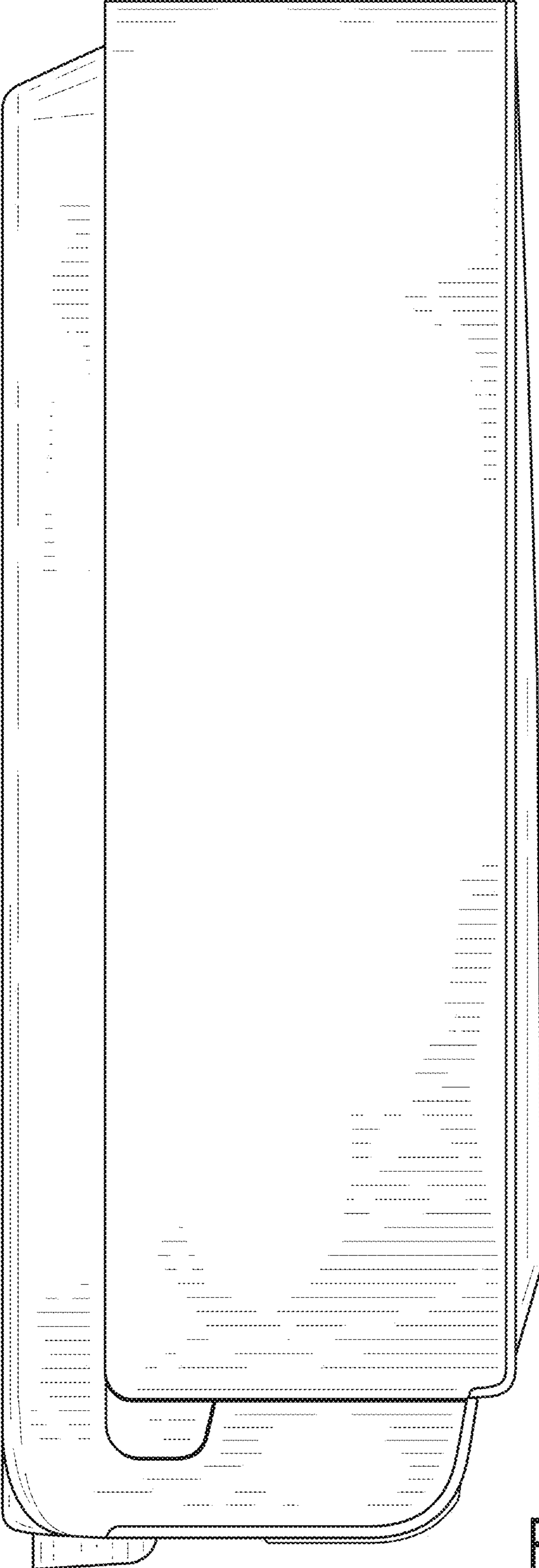


FIG. 4

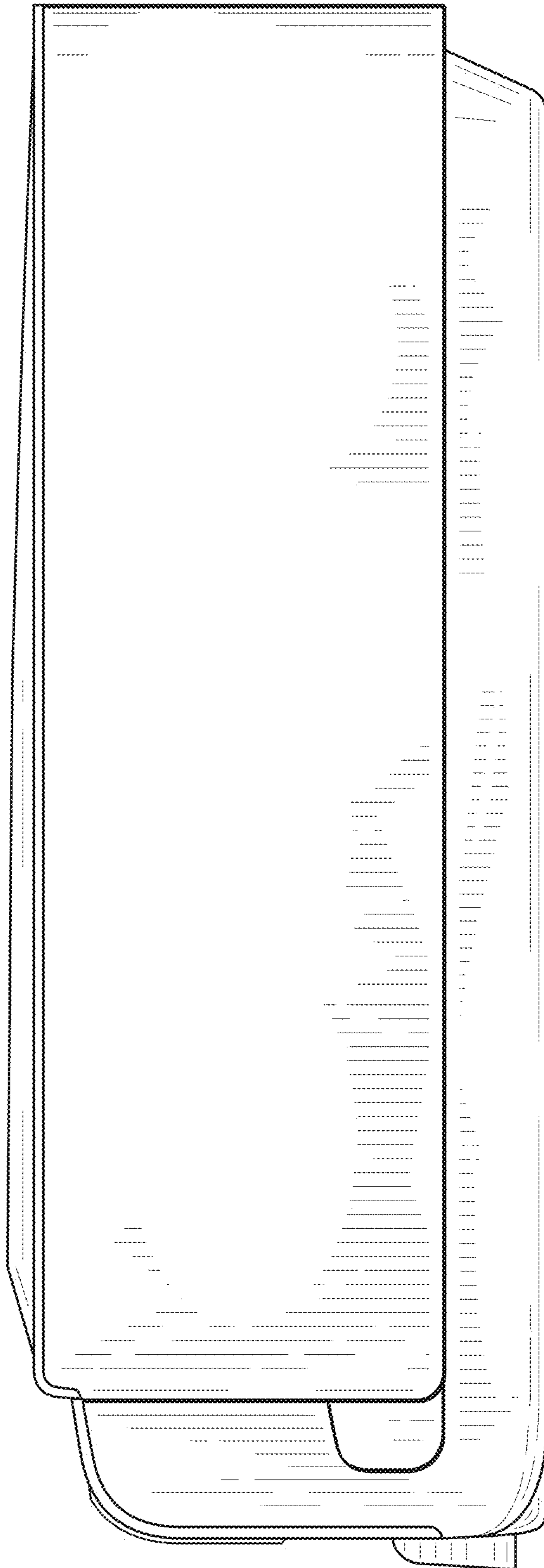


FIG. 5

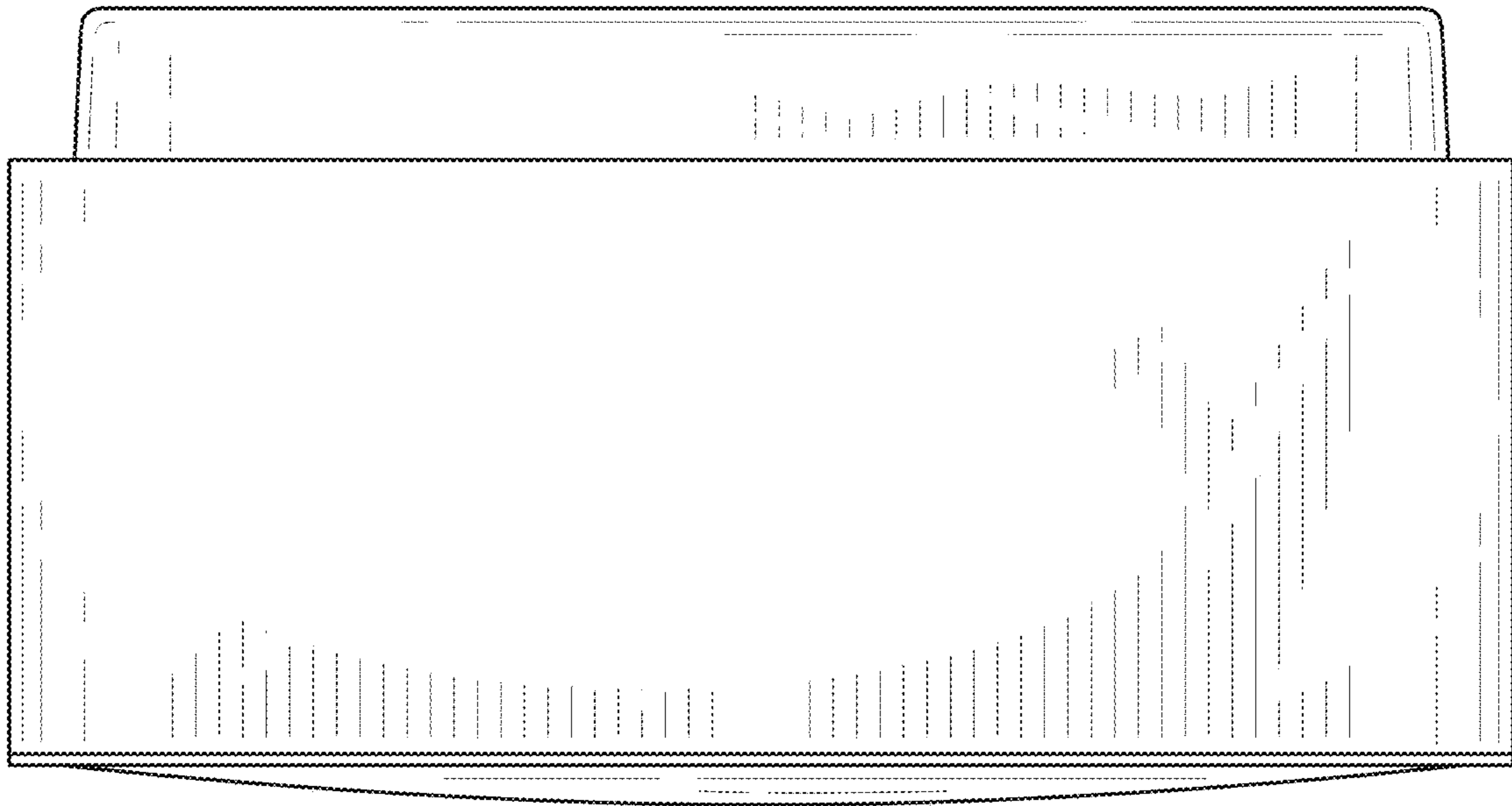


FIG. 6

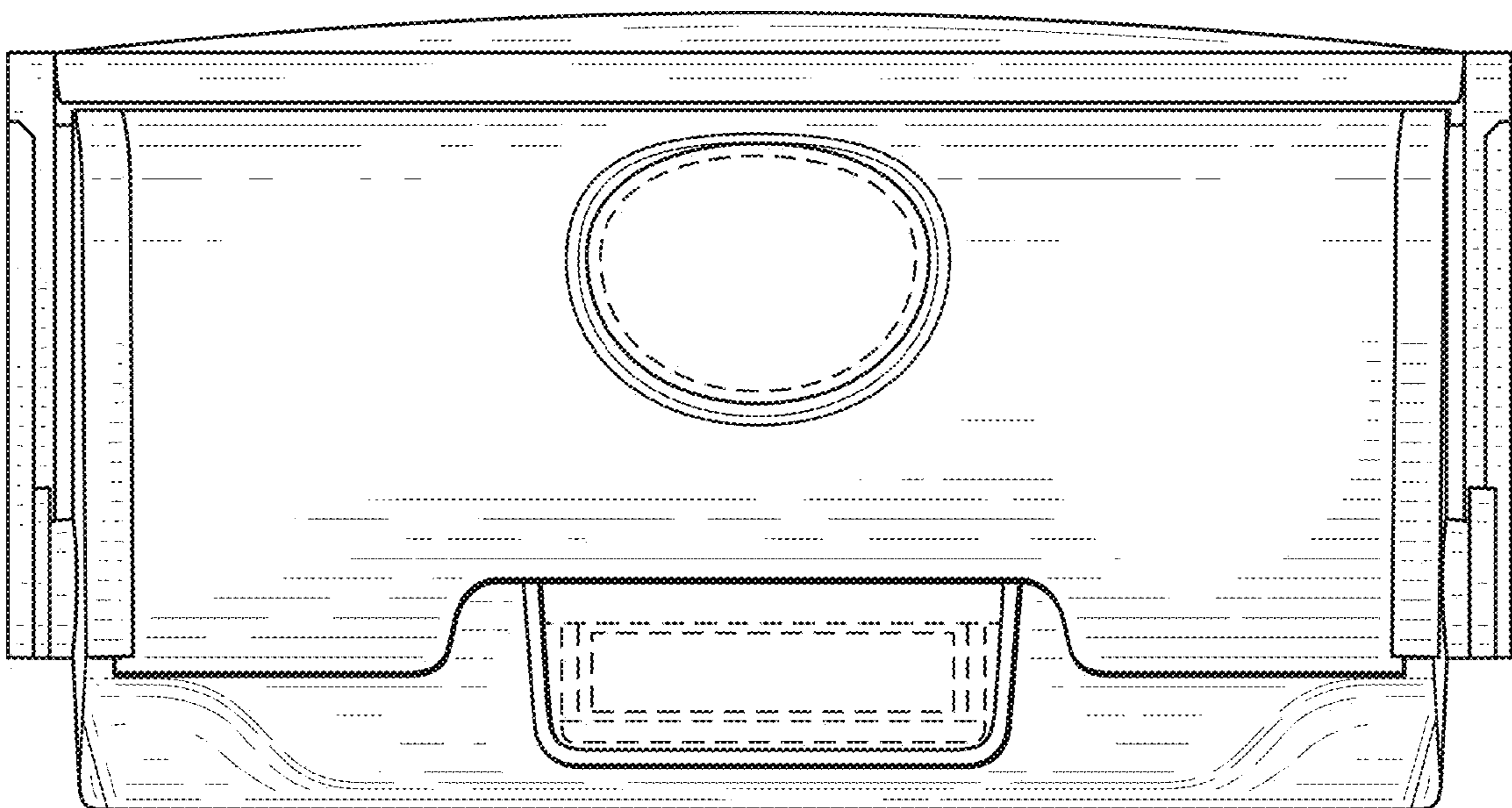


FIG. 7



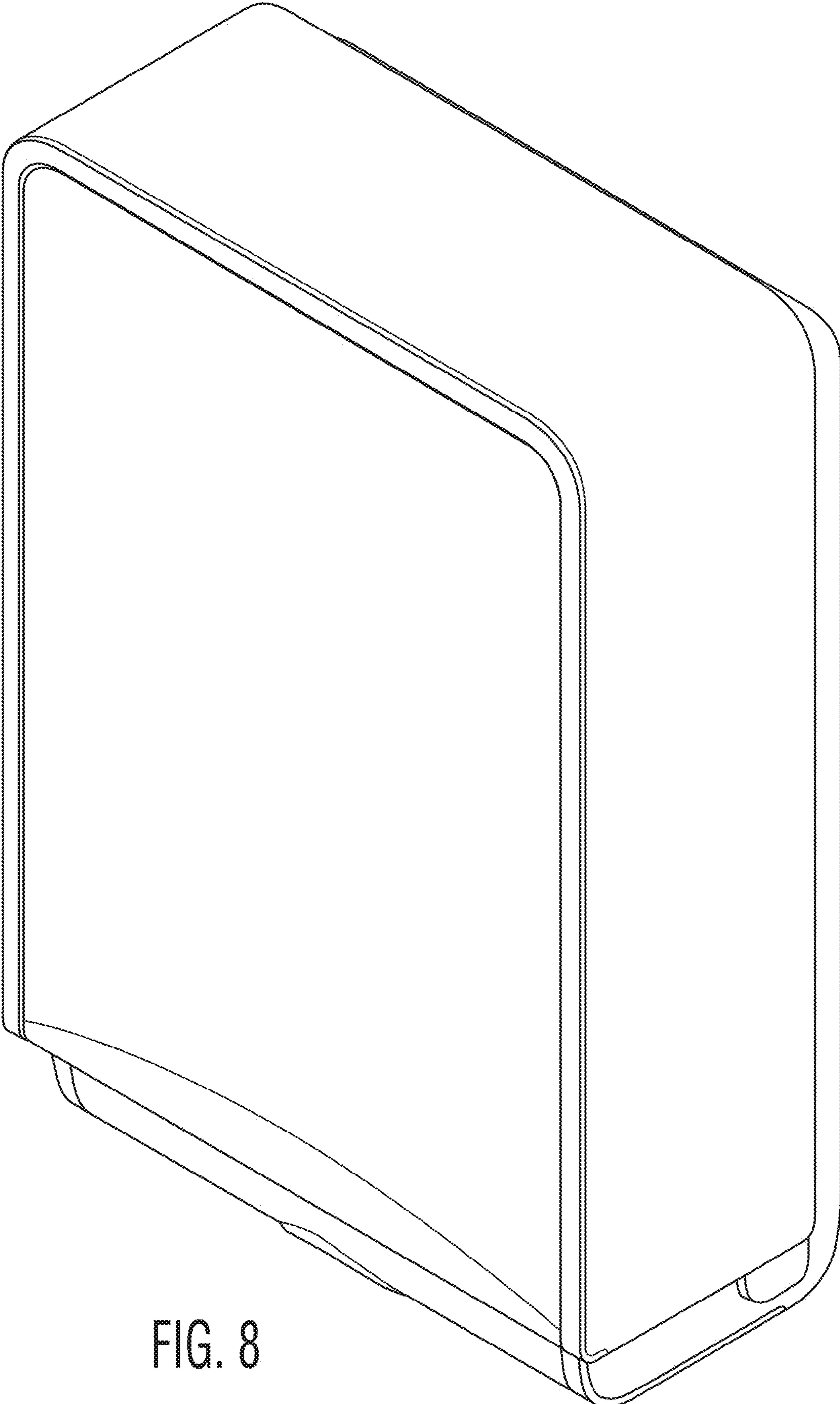


FIG. 8

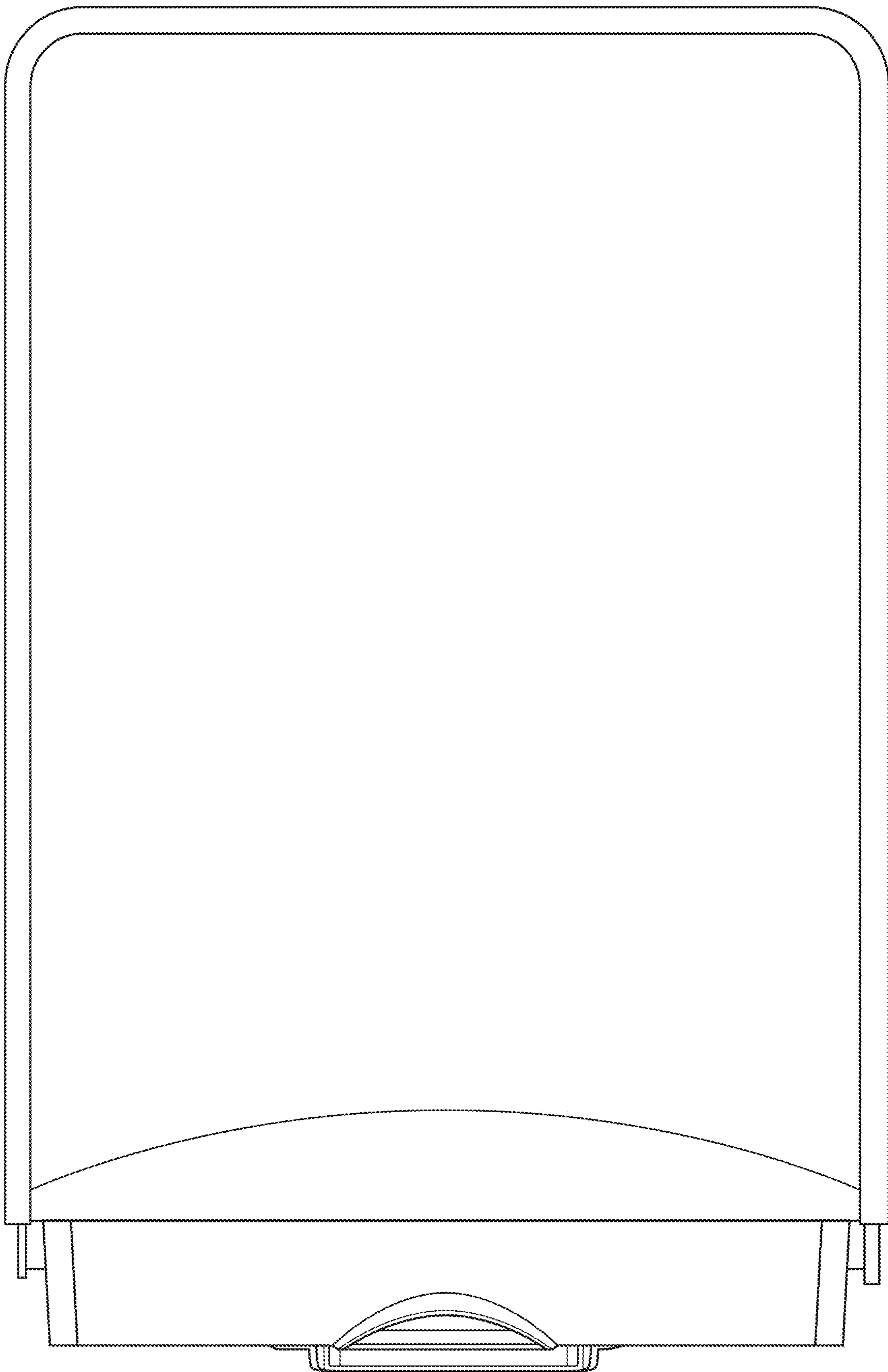


FIG. 9

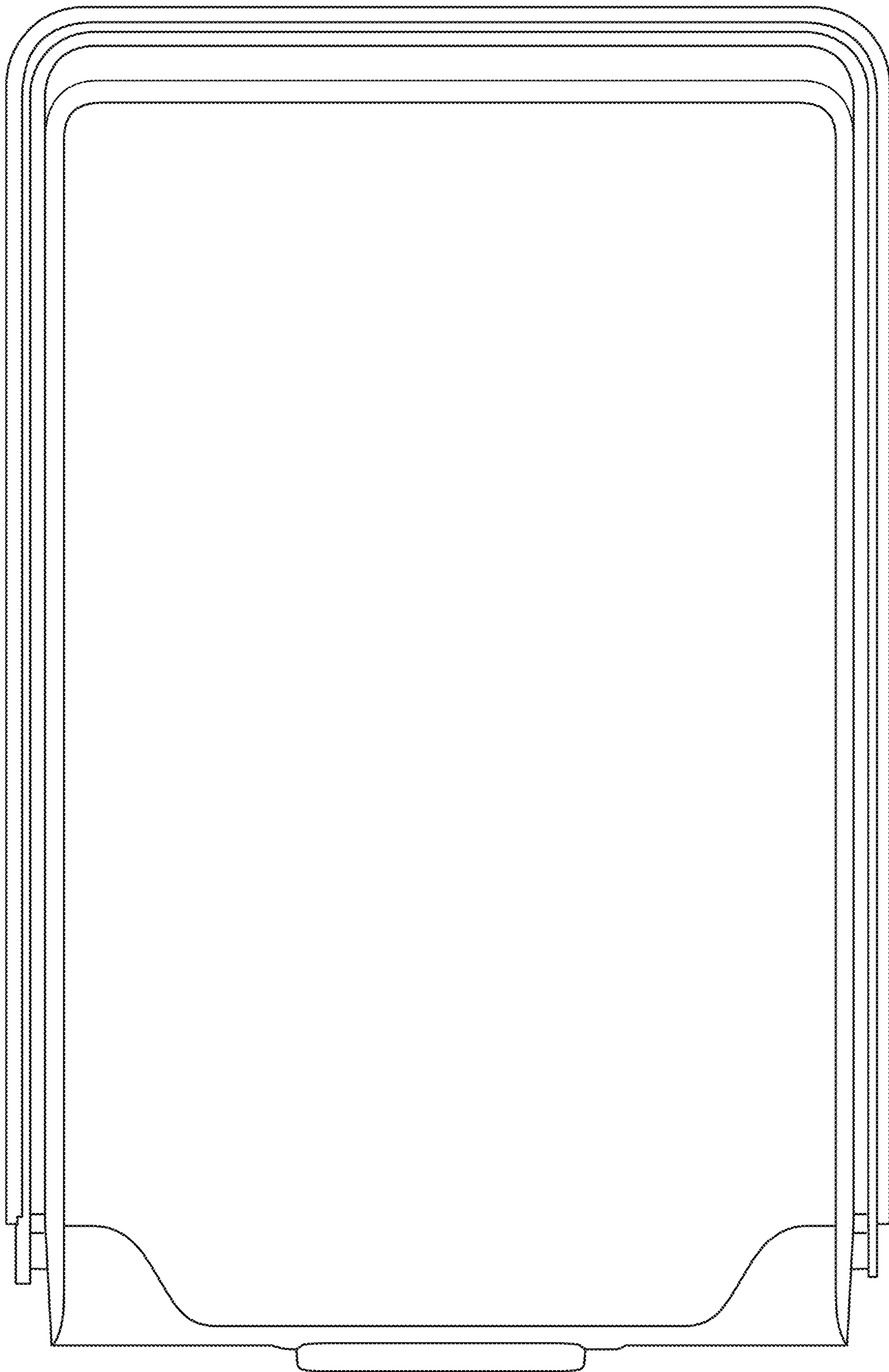


FIG. 10

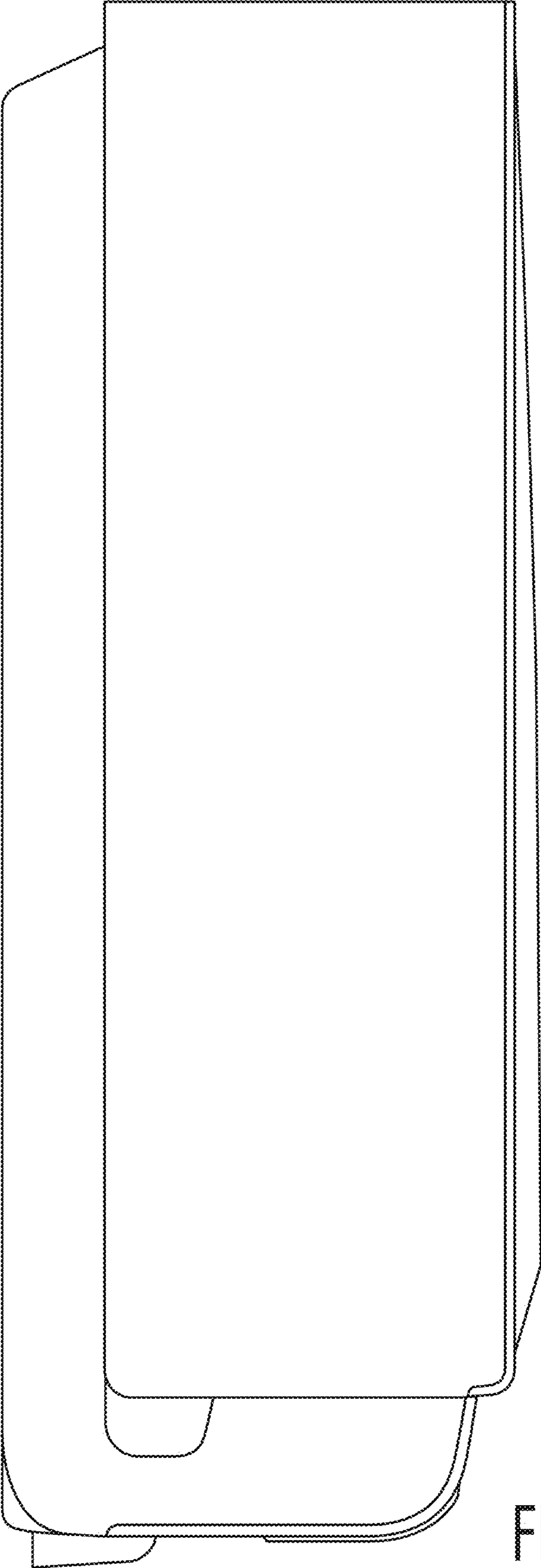


FIG. 11

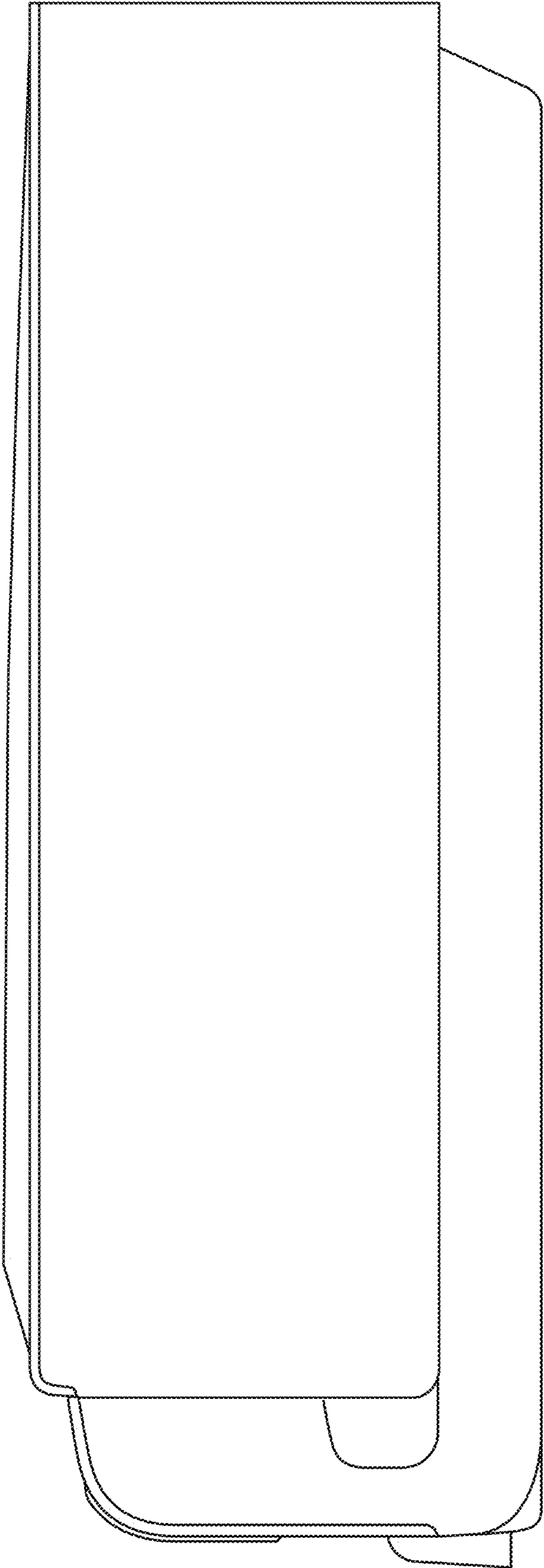


FIG. 12

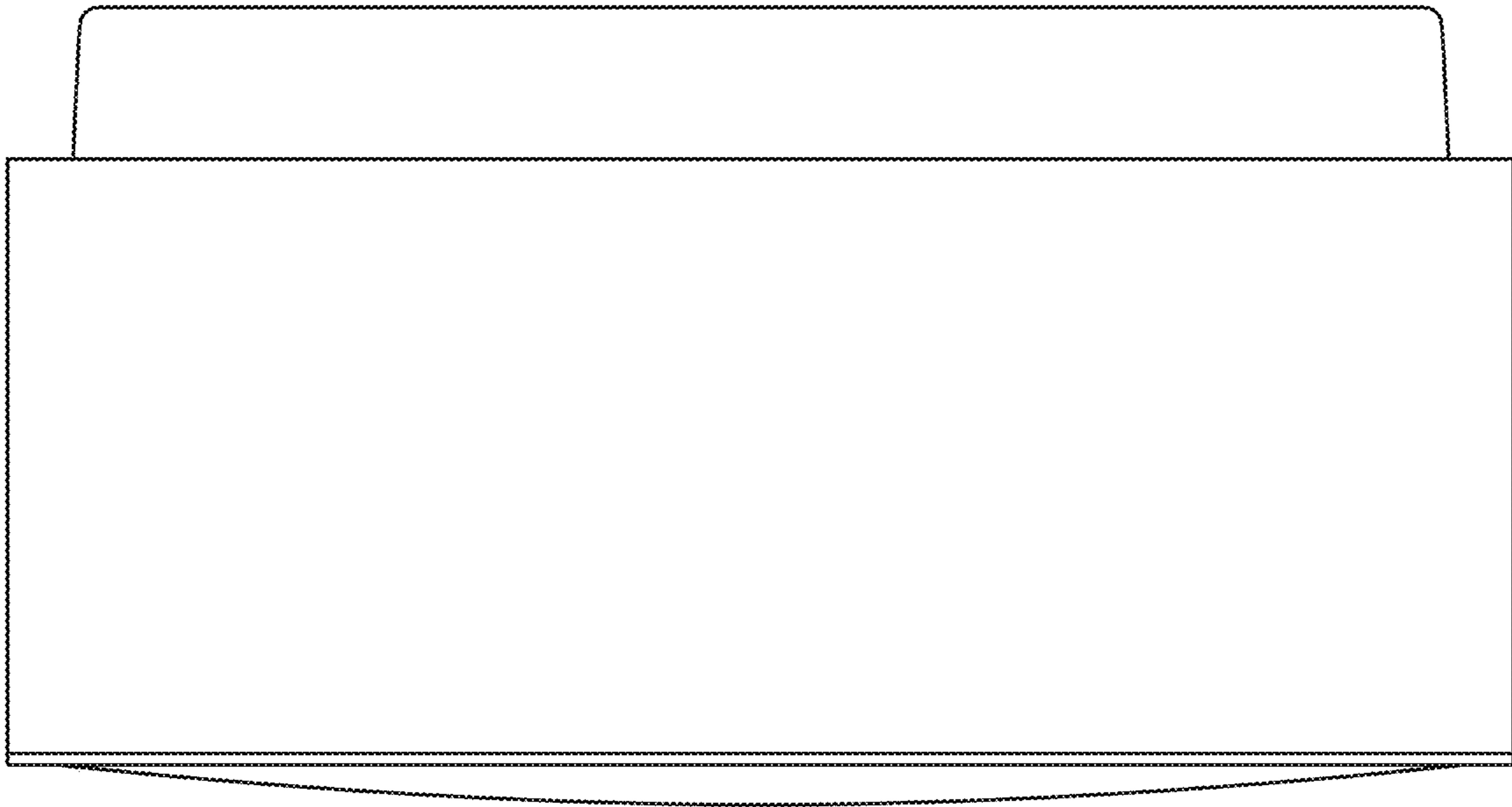


FIG. 13

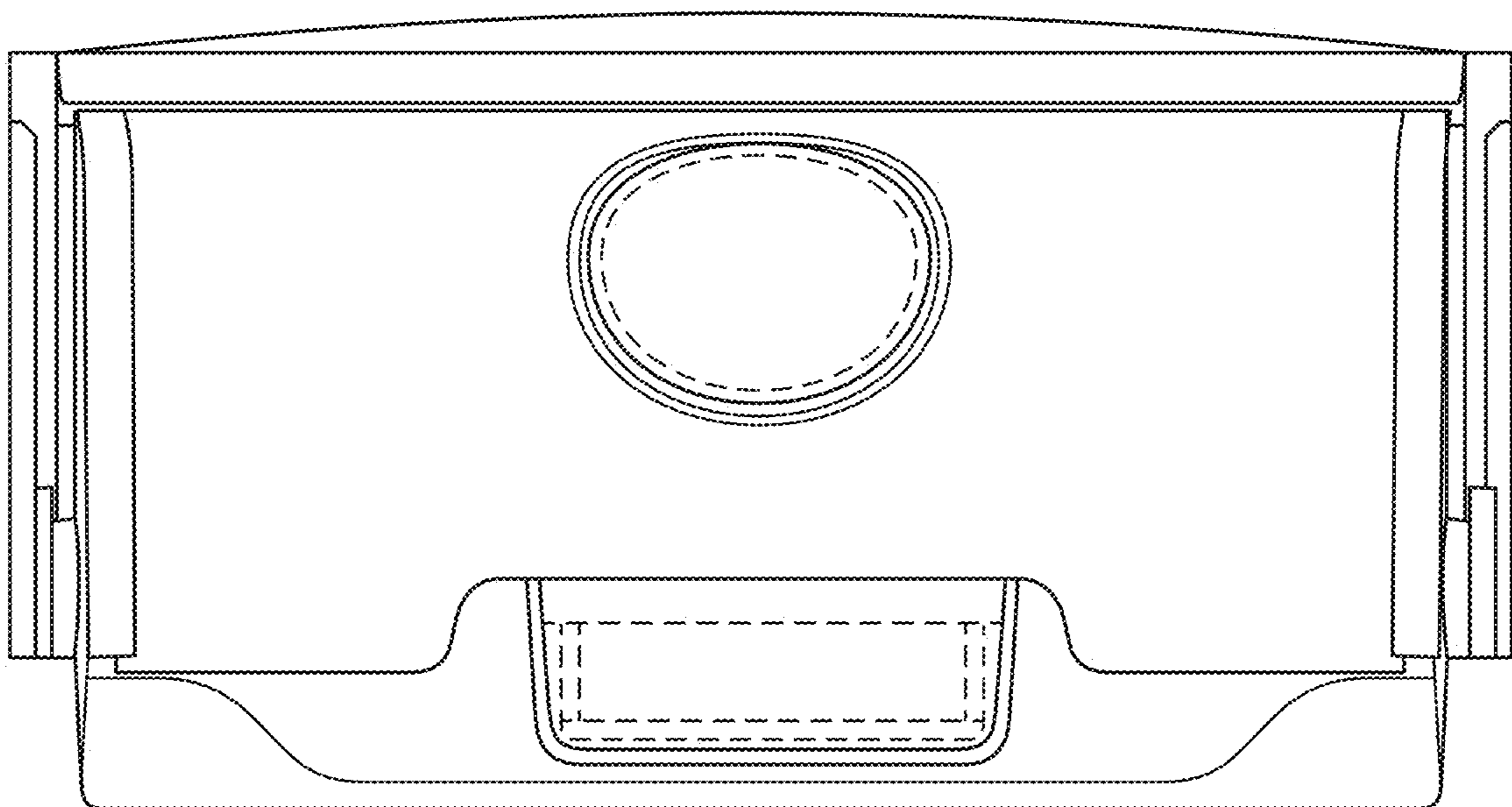


FIG. 14