



US00D985302S

(12) **United States Design Patent**
Yang

(10) **Patent No.:** **US D985,302 S**

(45) **Date of Patent:** **** May 9, 2023**

(54) **PAPER TOWEL HOLDER**

(71) Applicant: **Yingshi Yang**, Chaozhou (CN)

(72) Inventor: **Yingshi Yang**, Chaozhou (CN)

(**) Term: **15 Years**

(21) Appl. No.: **29/852,551**

(22) Filed: **Sep. 8, 2022**

(30) **Foreign Application Priority Data**

May 31, 2022 (CN) 202230330223.X

(51) **LOC (14) Cl.** **06-06**

(52) **U.S. Cl.**
USPC **D6/521**

(58) **Field of Classification Search**
USPC D6/512, 513, 515, 518, 519, 520, 521,
D6/522, 523, 524, 553; D7/631

(Continued)

(56) **References Cited**

U.S. PATENT DOCUMENTS

D398,466 S * 9/1998 Odom D6/521
D486,333 S * 2/2004 Hoernig D6/521

(Continued)

FOREIGN PATENT DOCUMENTS

CN 307595250 * 10/2022
GB 6232862 * 10/2022
GB 6232863 * 10/2022

OTHER PUBLICATIONS

Paper Towel Holder One Hand Operable. Niffgaff (online) 8 pgs.
Available Nov. 11, 2022. [Retrieved Mar. 7, 2023] <https://www.amazon.com/dp/B0BM48F5DM> (Year: 2022).*

(Continued)

Primary Examiner — Marie D. Fast Horse

Assistant Examiner — Jennifer Sierra Yosinski

(74) *Attorney, Agent, or Firm* — Runit Ranjit Kanakia

(57) **CLAIM**

The ornamental design for a paper towel holder, as shown and described.

DESCRIPTION

FIG. 1 is a first perspective view of a first embodiment of a paper towel holder showing my new design;

FIG. 2 is a second perspective view of the first embodiment thereof;

FIG. 3 is a front view of the first embodiment thereof;

FIG. 4 is a back view of the first embodiment thereof;

FIG. 5 is a left side view of the first embodiment thereof;

FIG. 6 is a right side view of the first embodiment thereof;

FIG. 7 is a top view of the first embodiment thereof;

FIG. 8 is a bottom view of the, first embodiment thereof;

FIG. 9 is a first perspective view of a second embodiment of a paper towel holder showing my new design;

FIG. 10 is a second perspective view of the second embodiment thereof;

FIG. 11 is a front view of the second embodiment thereof;

FIG. 12 is a back view of the second embodiment thereof;

FIG. 13 is a left side view of the second embodiment thereof;

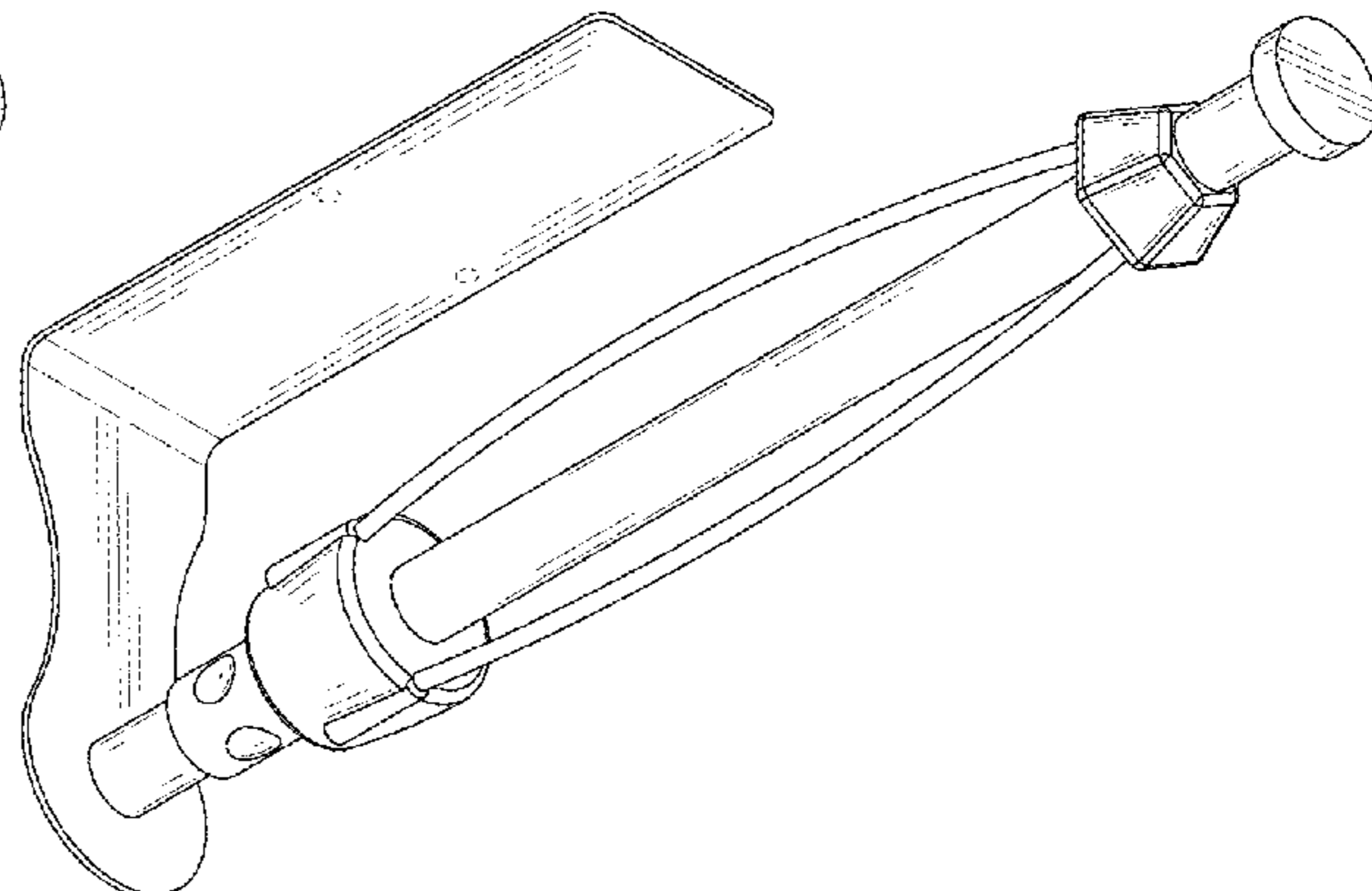
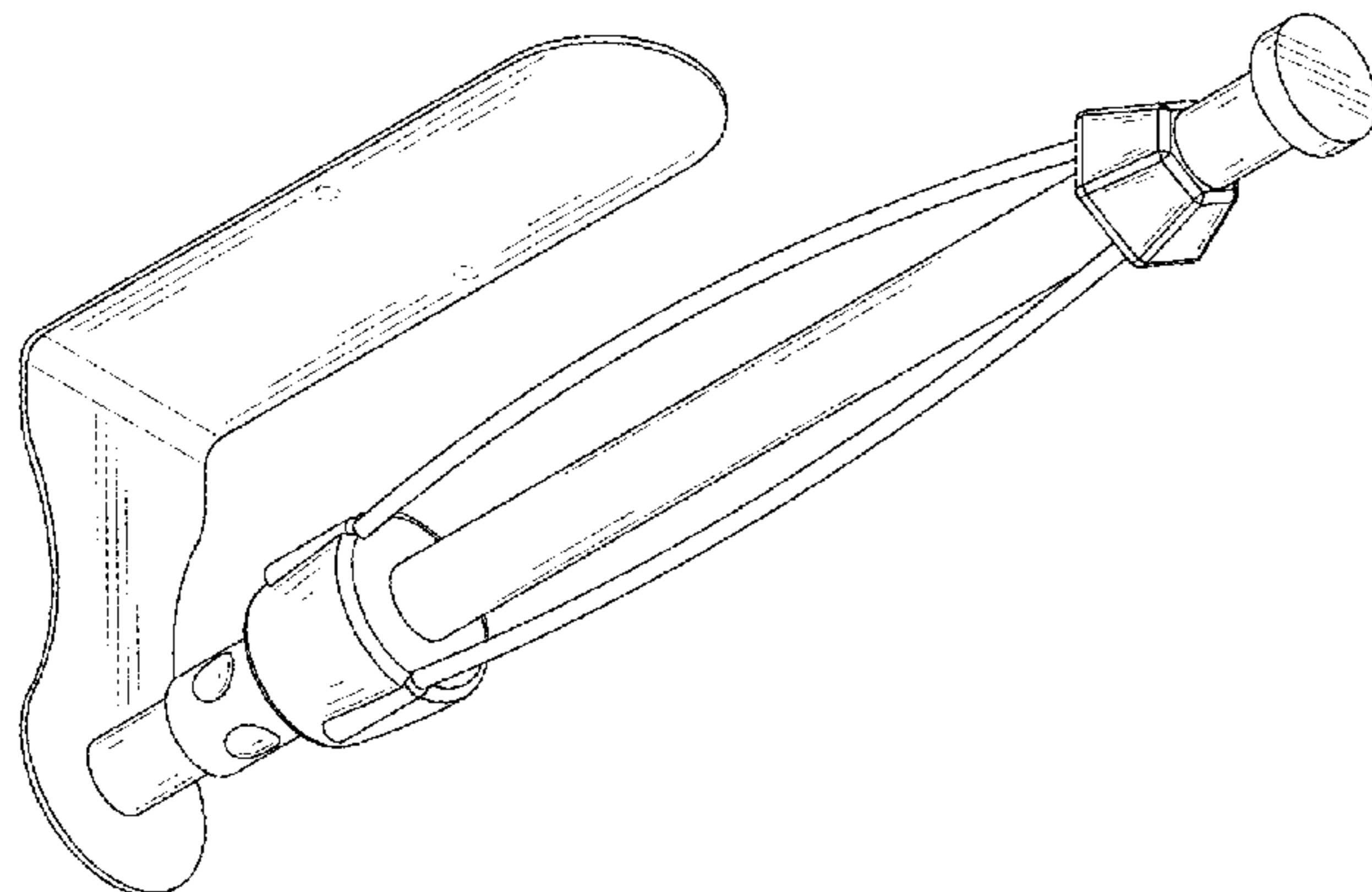
FIG. 14 is a right side view of the second embodiment thereof;

FIG. 15 is a top view of the second embodiment thereof; and,

FIG. 16 is a bottom view of the second embodiment thereof.

The broken lines shown in the drawings depict portions of the paper towel holder that form no part of the claimed design.

1 Claim, 16 Drawing Sheets



(58) **Field of Classification Search**

CPC A47K 10/00; A47K 10/16; A47K 10/18;
A47K 10/22; A47K 10/24; A47K 10/32

See application file for complete search history.

(56) **References Cited**

U.S. PATENT DOCUMENTS

D486,681	S	*	2/2004	Hoernig	D6/523
D821,779	S		7/2018	Goodman et al.		
D859,029	S	*	9/2019	Mariano	D6/522
D878,077	S		3/2020	Goodman et al.		
D885,080	S		5/2020	Goodman et al.		
D916,491	S	*	4/2021	Chen	D6/522
D930,387	S	*	9/2021	Liang	D6/522
D963,369	S	*	9/2022	Liu	D6/521
D965,337	S	*	10/2022	Zhou	D6/522
D967,647	S	*	10/2022	Zheng	D6/522

OTHER PUBLICATIONS

Paper Towel Holder Single Hand Operable. Sitanes (online) 13 pgs.
Available Dec. 20, 2021. [Retrieved Mar. 7, 2023] <https://www.amazon.com/SITANES-Holder-Single-Operable-Damping-Bathroom/dp/B09NVMJ1FQ> (Year: 2021).*

* cited by examiner

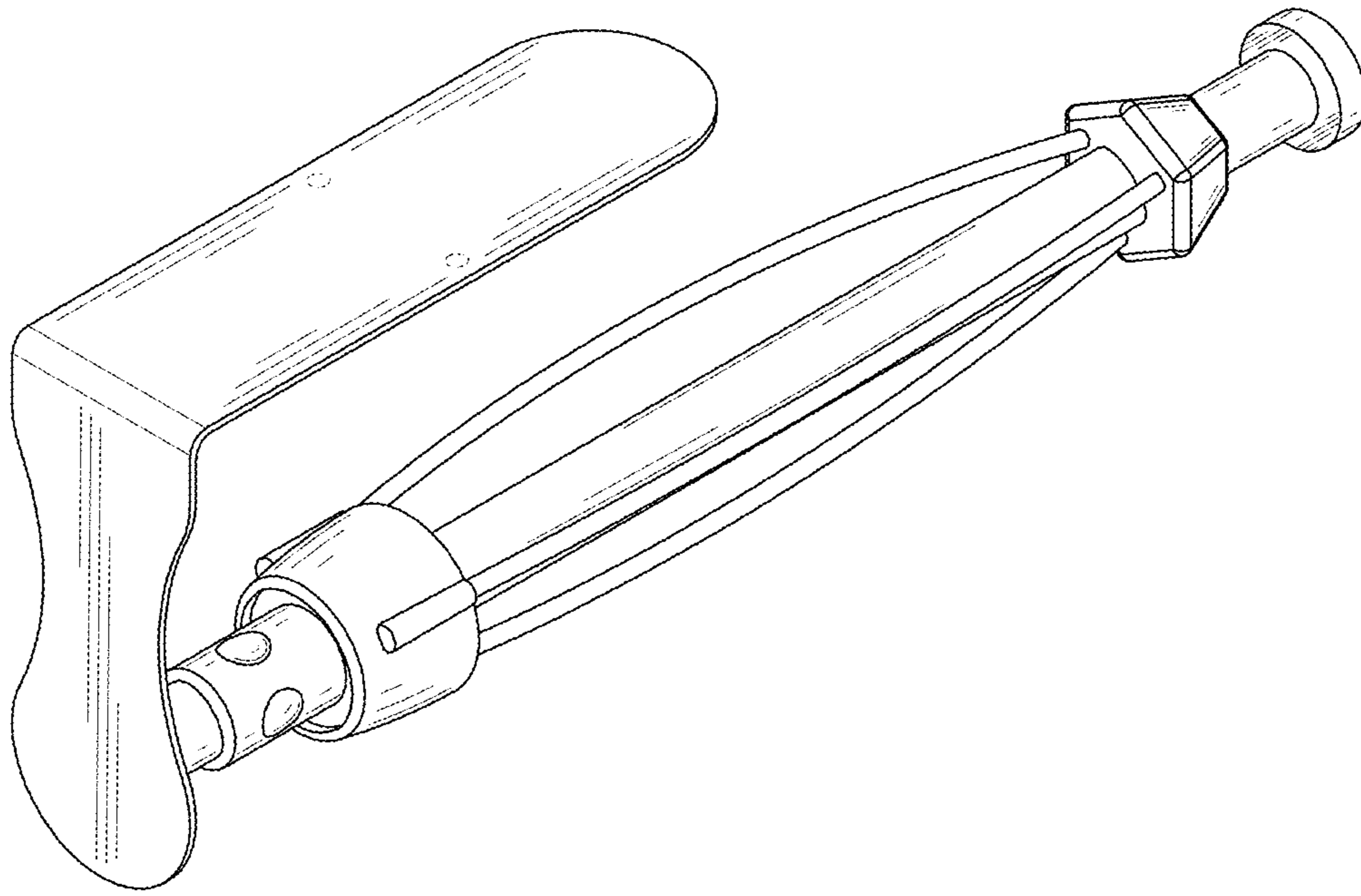


FIG. 1

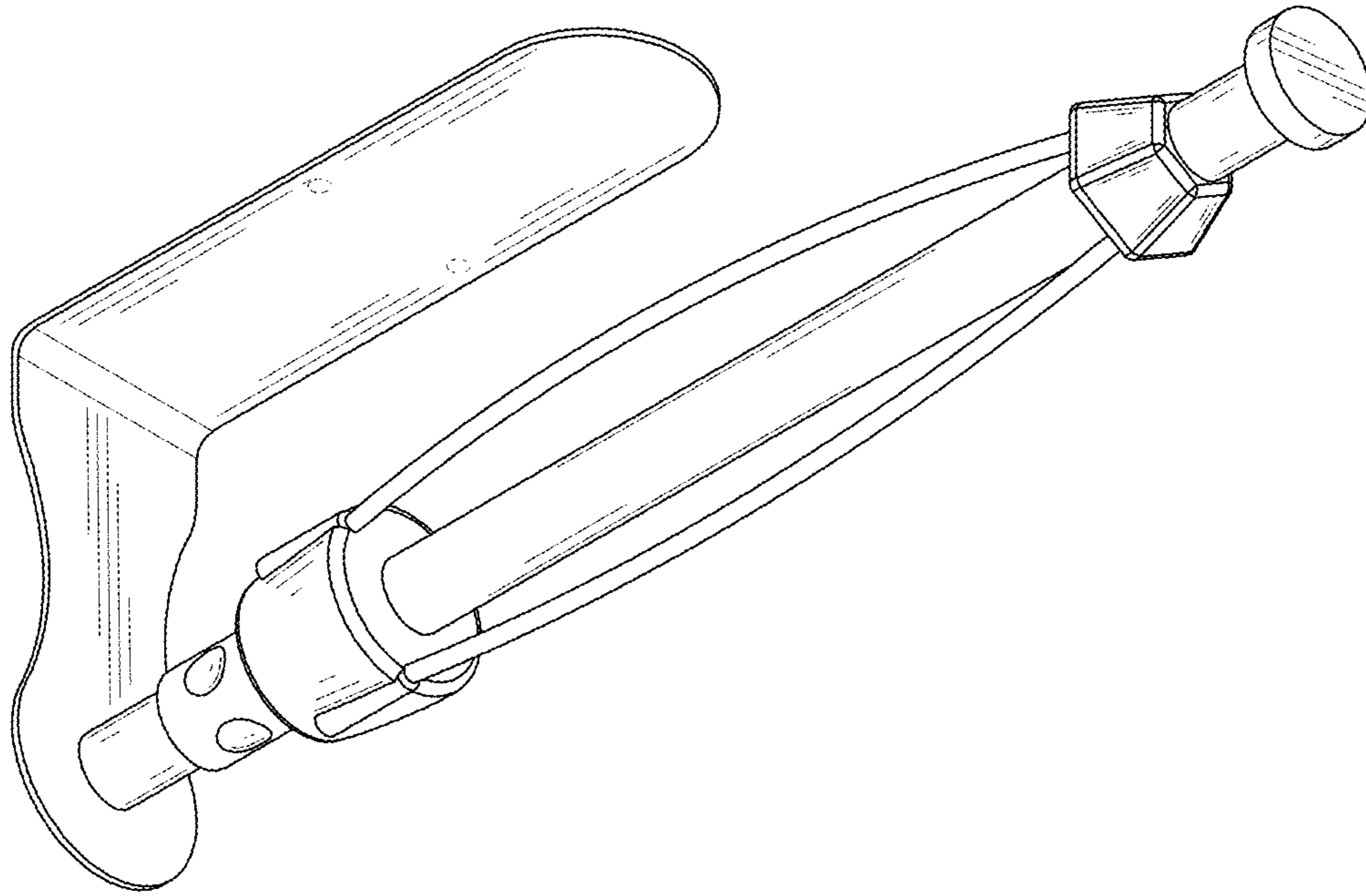


FIG. 2

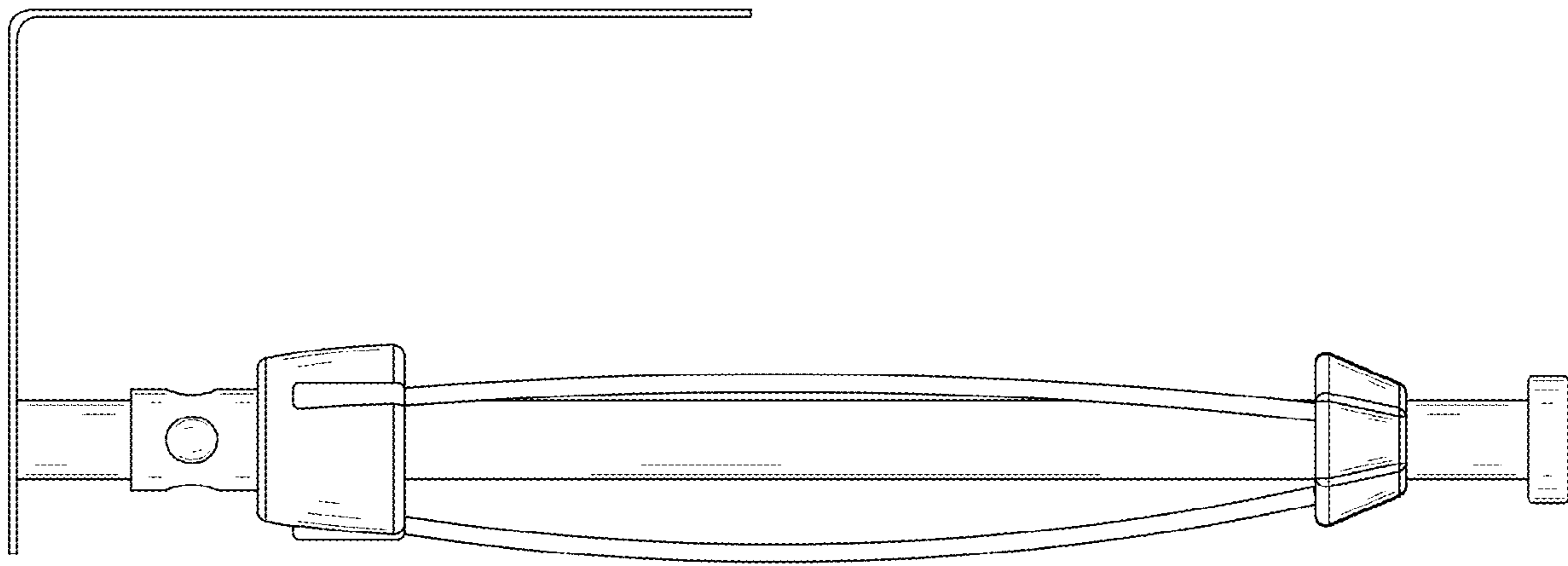


FIG. 3

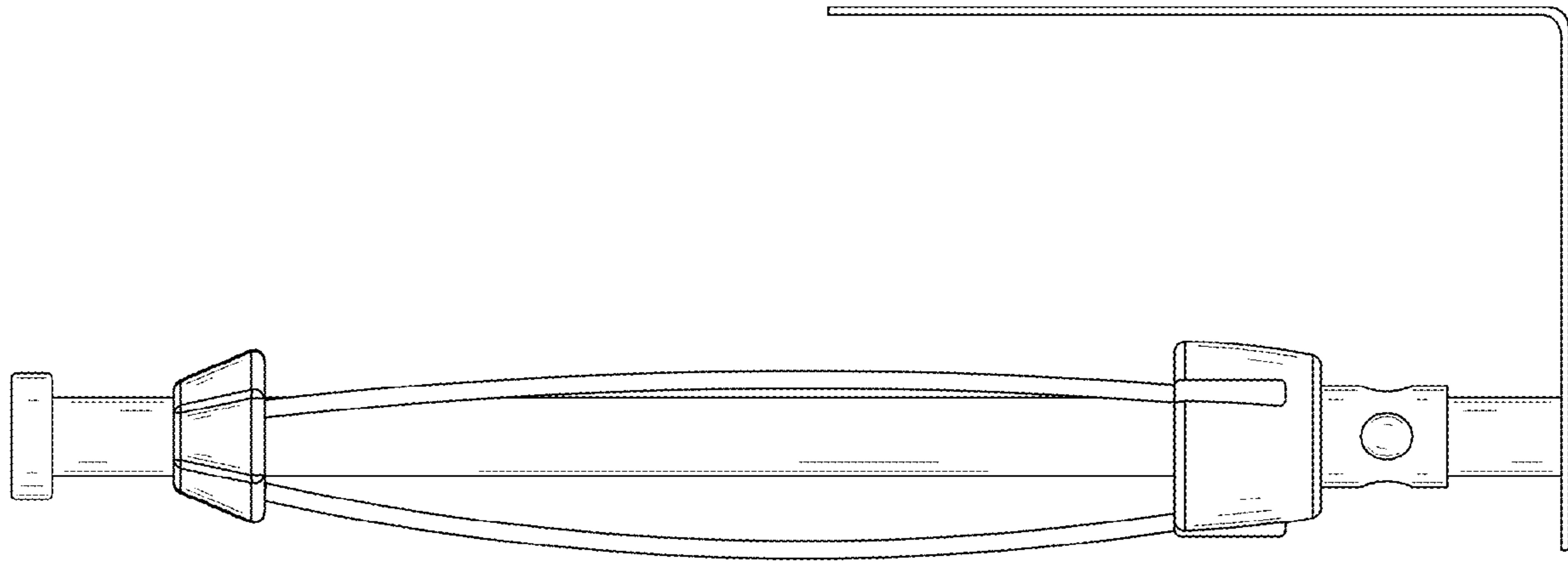


FIG. 4

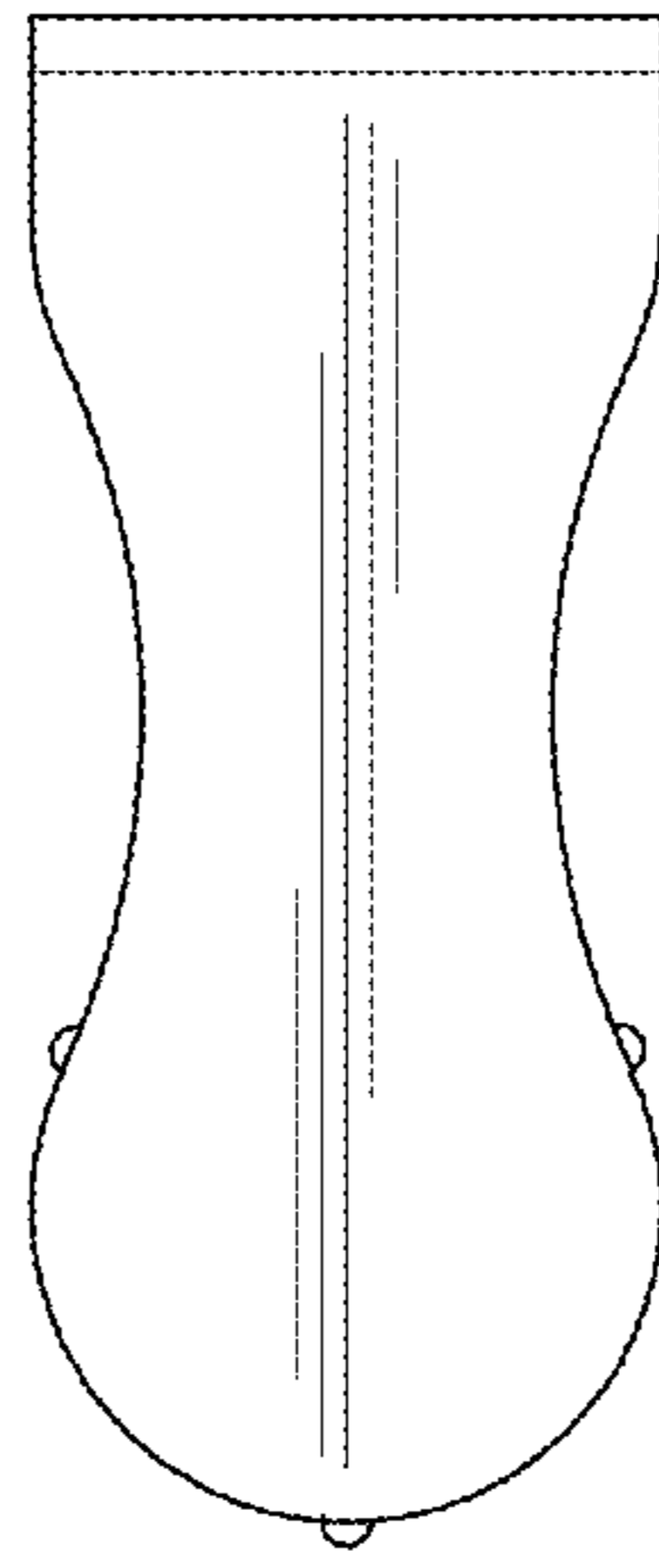


FIG. 5

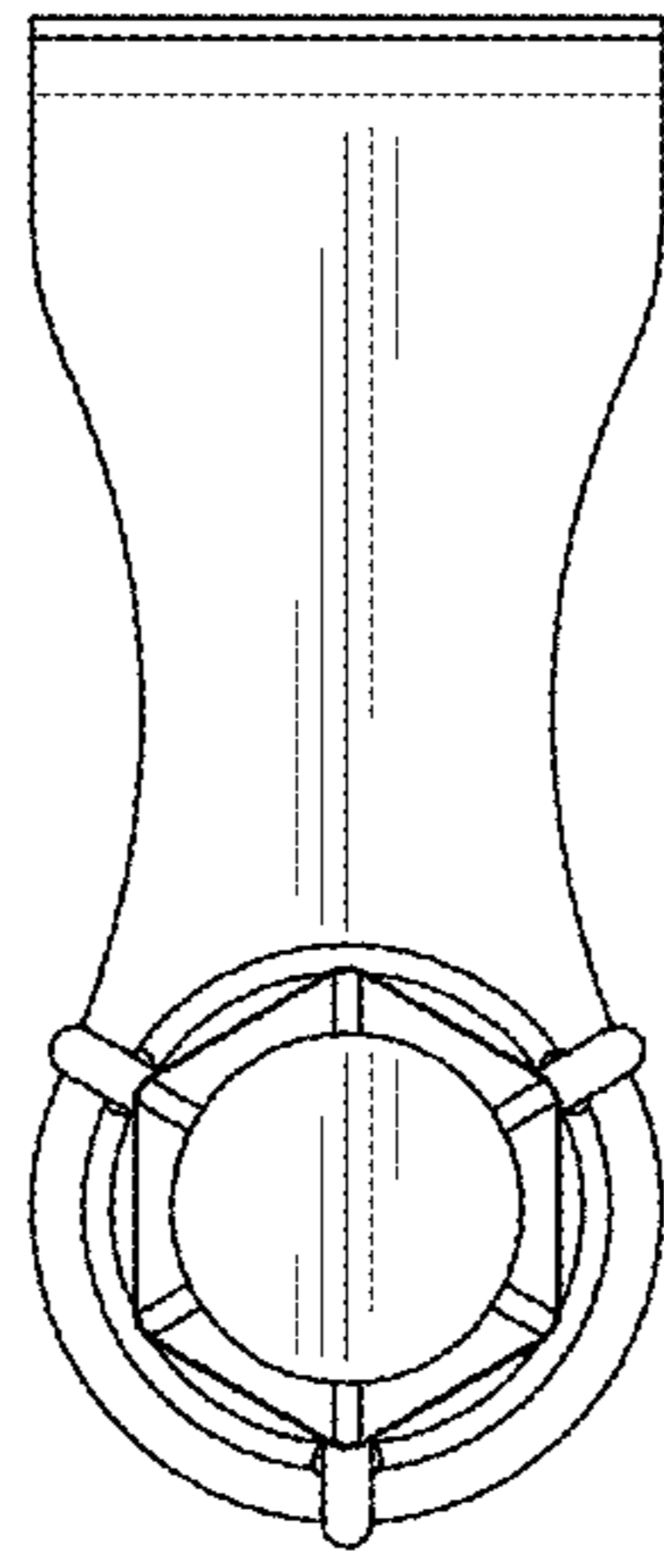


FIG. 6

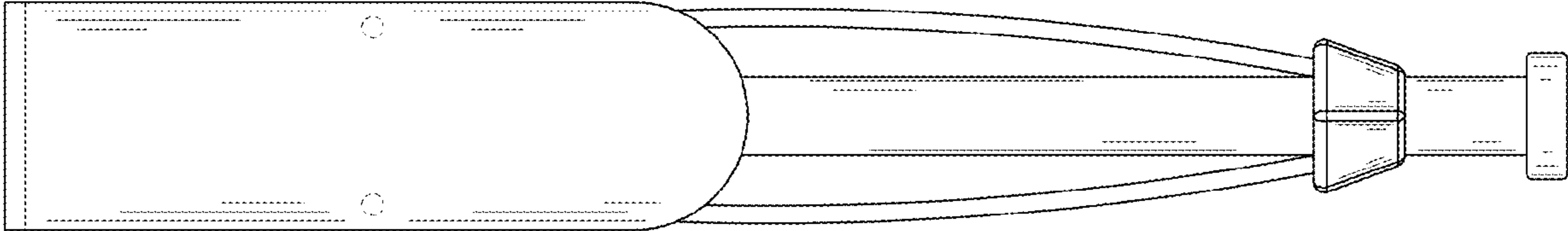


FIG. 7

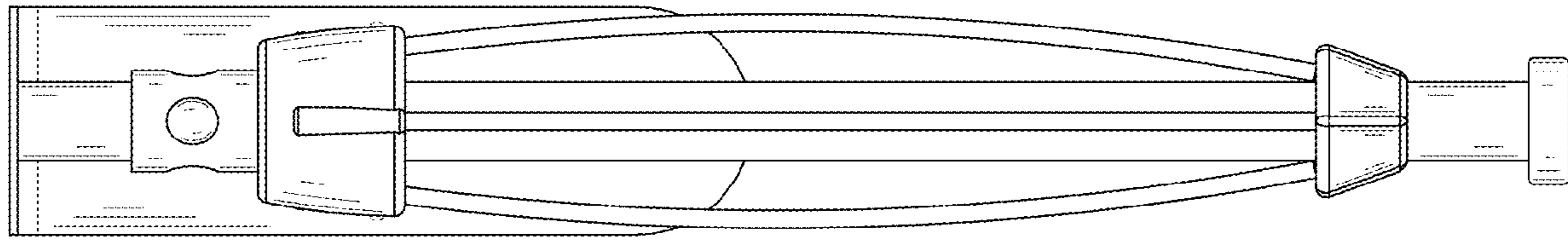


FIG. 8

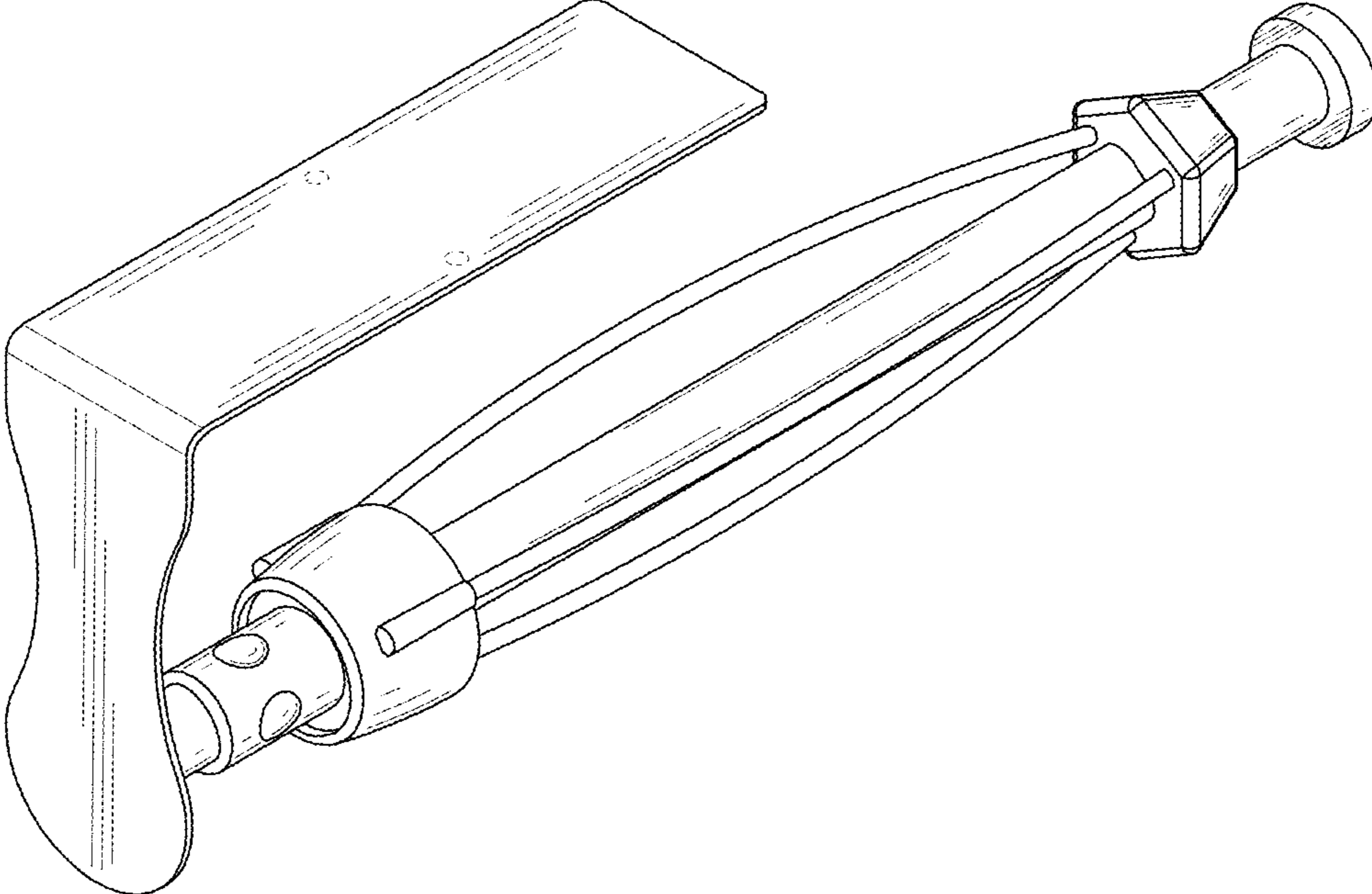


FIG. 9

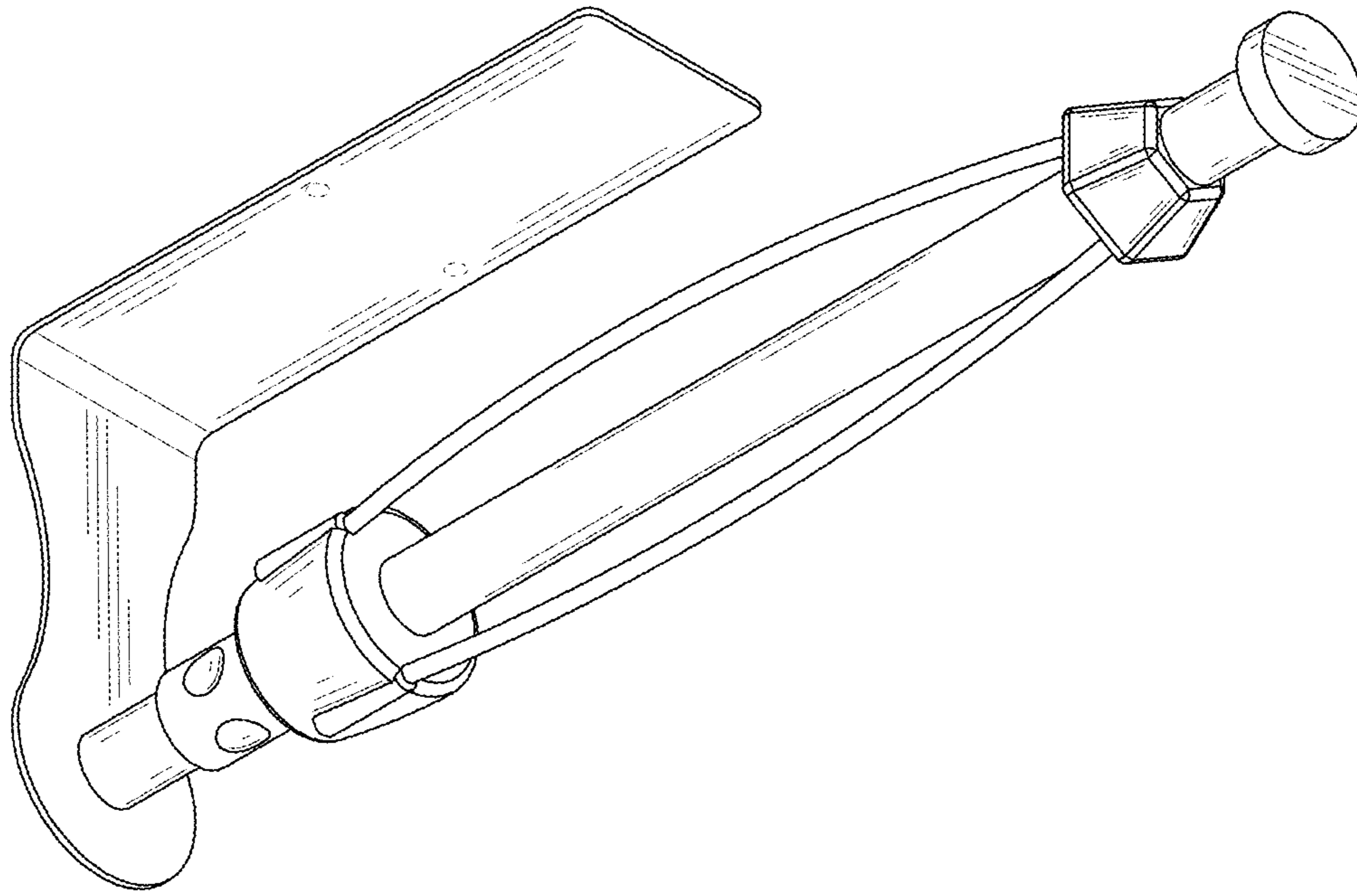


FIG. 10

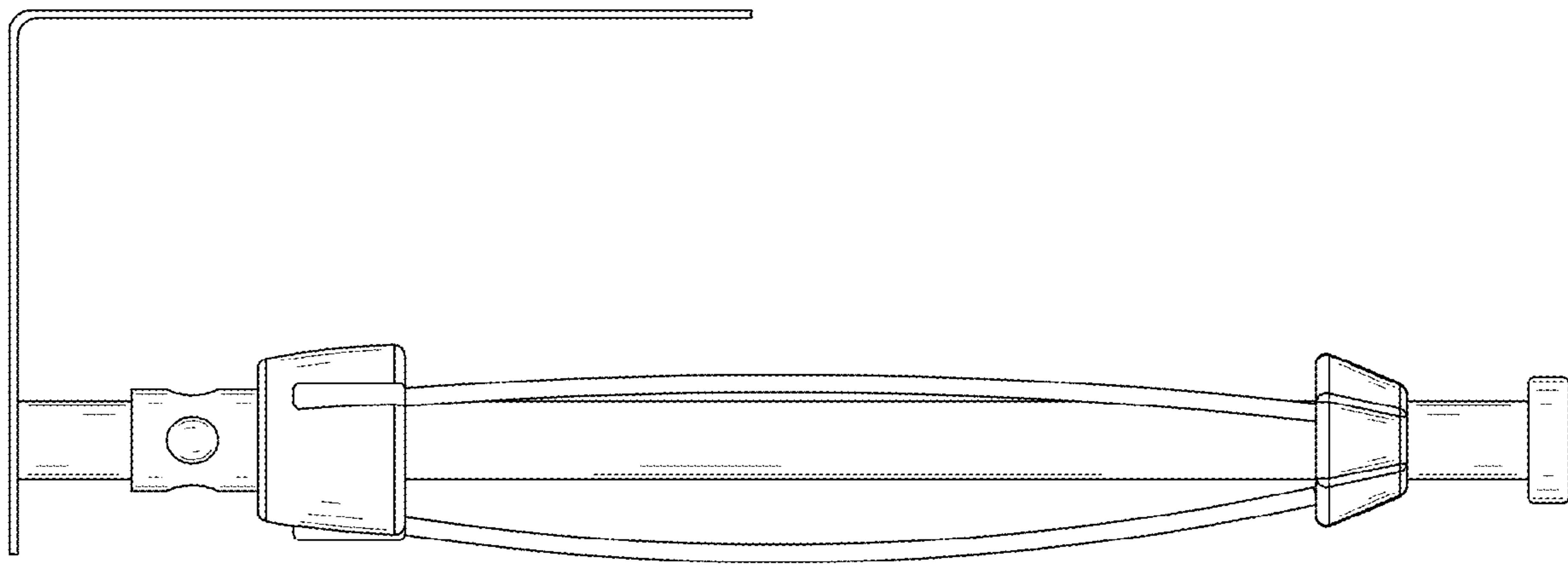


FIG. 11

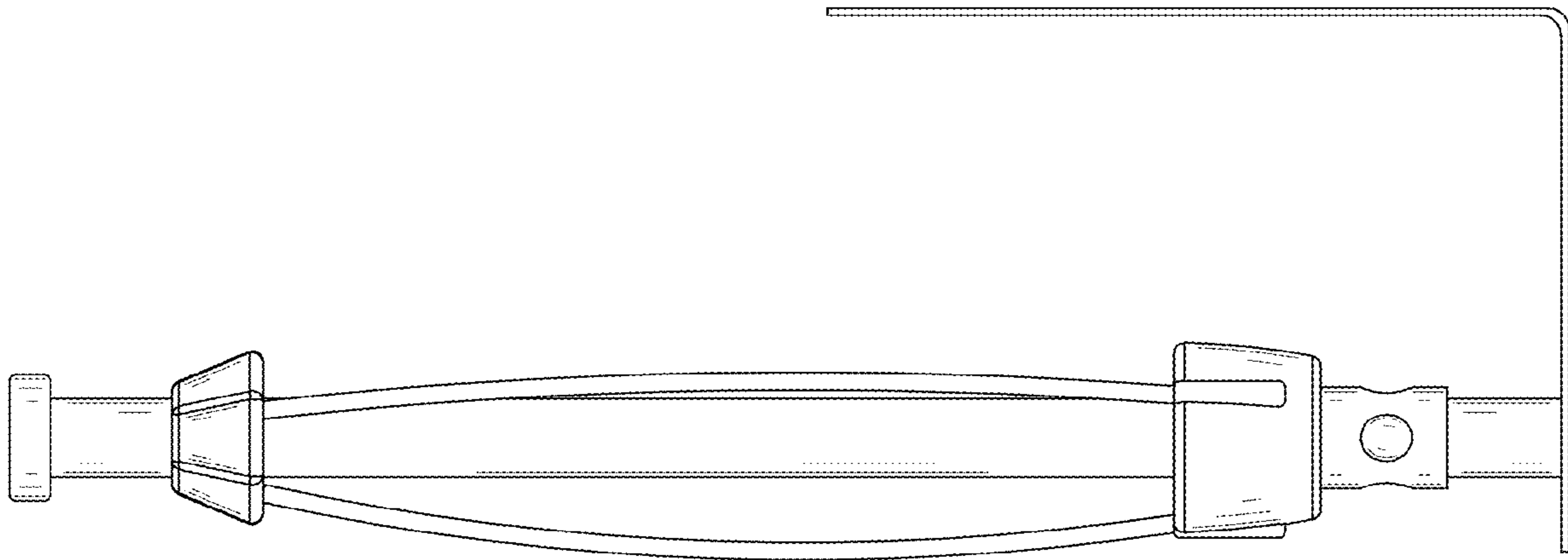


FIG. 12

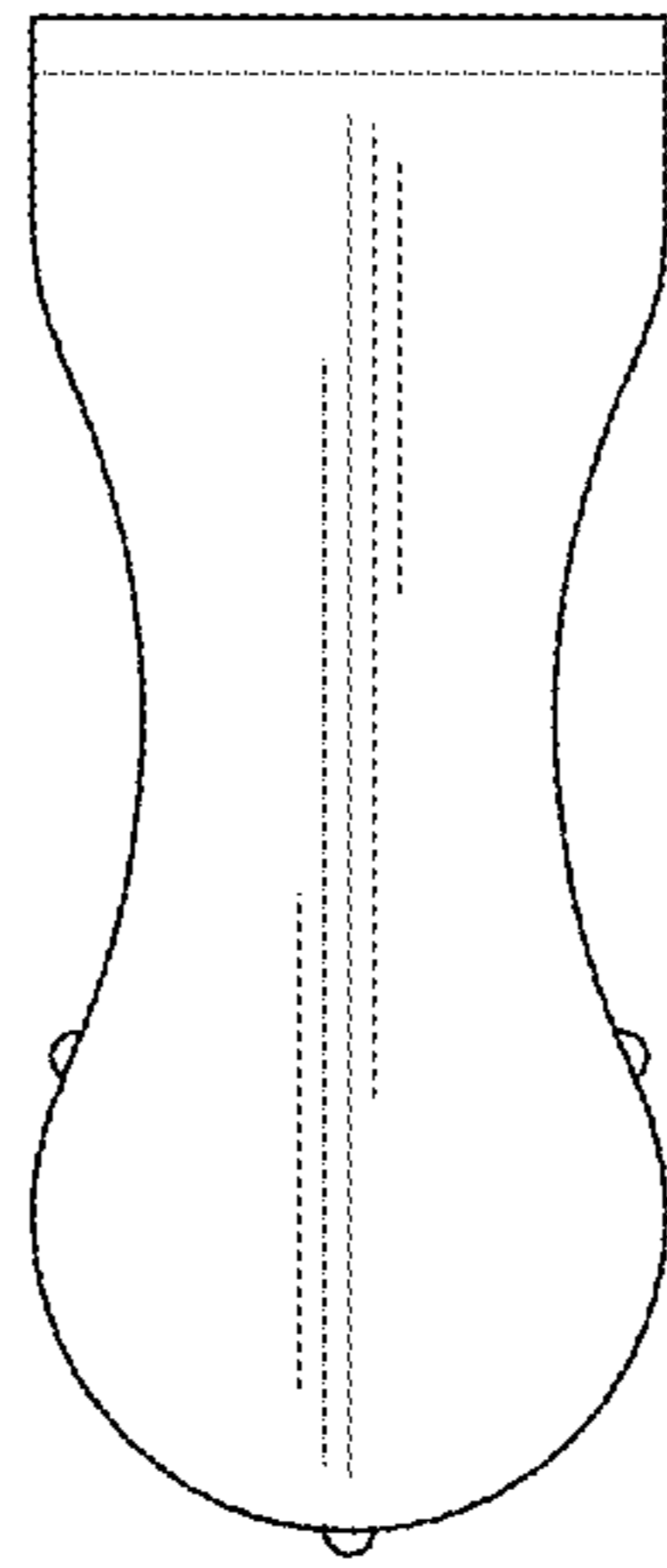


FIG. 13

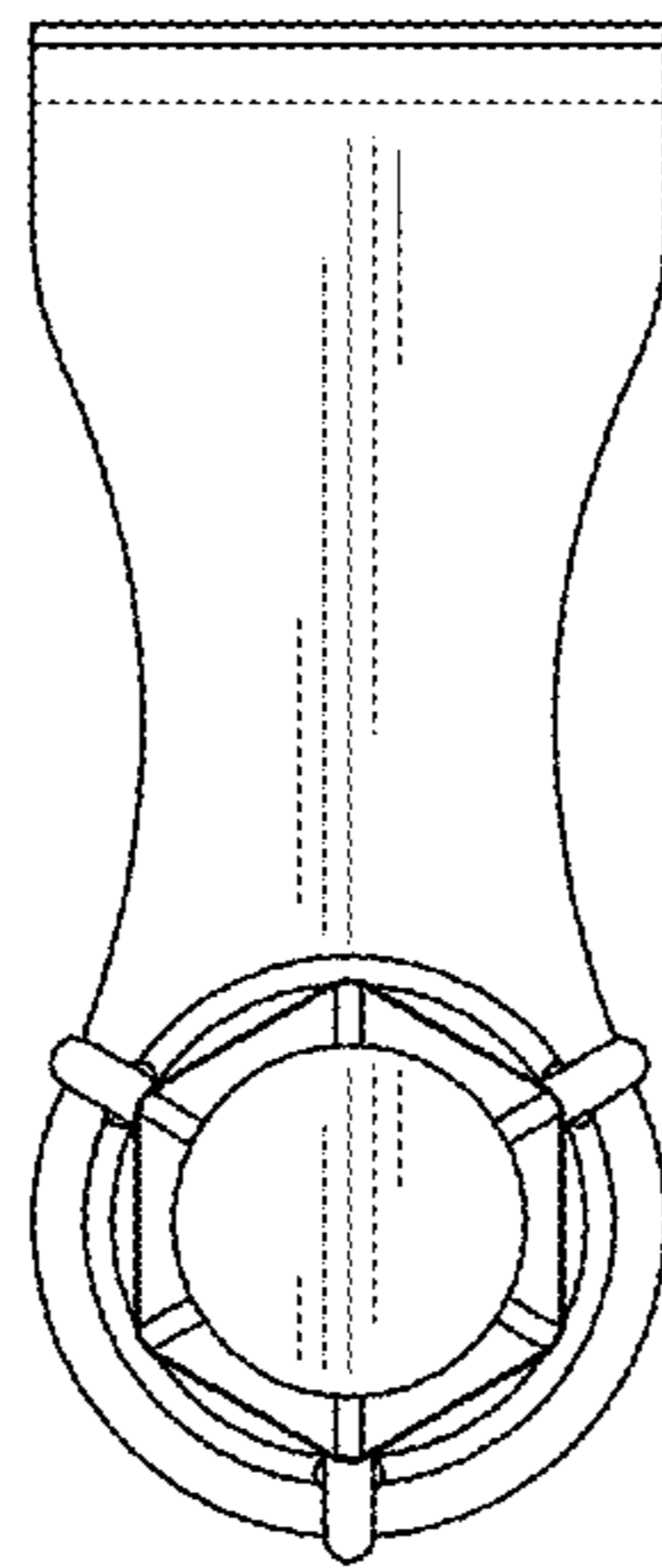


FIG. 14

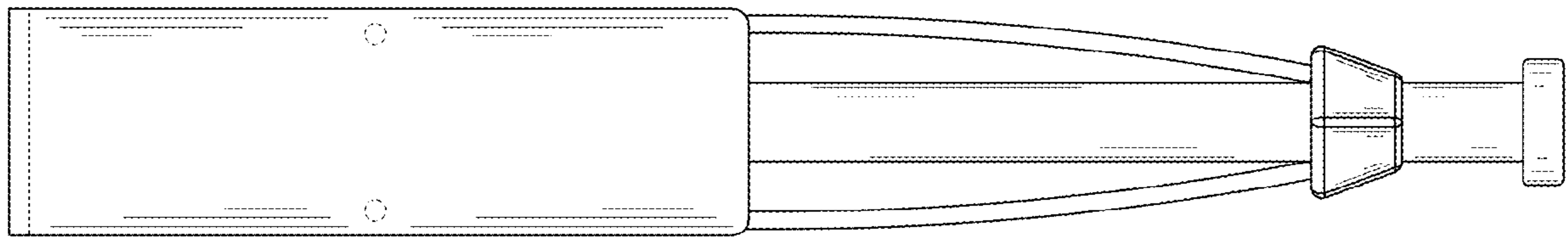


FIG. 15

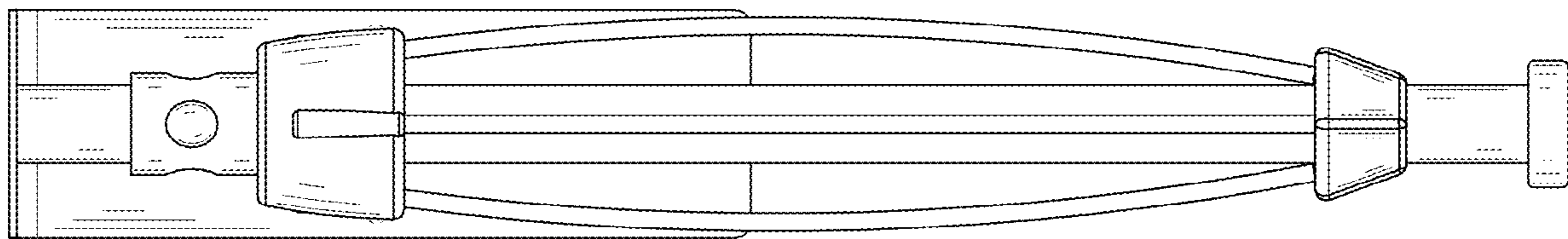


FIG. 16