



US00D985301S

(12) **United States Design Patent**
Kim et al.

(10) **Patent No.:** **US D985,301 S**

(45) **Date of Patent:** **** May 9, 2023**

(54) **SHELF FOR INDOOR PLANT CULTIVATORS**

(71) Applicant: **LG ELECTRONICS INC.**, Seoul (KR)

(72) Inventors: **Minsub Kim**, Seoul (KR); **Kyukwan Choi**, Seoul (KR); **Yong Kim**, Seoul (KR)

(73) Assignee: **LG ELECTRONICS INC.**, Seoul (KR)

(**) Term: **15 Years**

(21) Appl. No.: **29/743,383**

(22) Filed: **Jul. 21, 2020**

(30) **Foreign Application Priority Data**

Jan. 23, 2020 (KR) 30-2020-0003468

(51) **LOC (14) Cl.** **06-04**

(52) **U.S. Cl.**
USPC **D6/403**; D15/79; D15/89

(58) **Field of Classification Search**
USPC D15/79, 89; D6/403; D24/216, 231, D24/232; D11/155
CPC F25D 25/02; F25D 23/028; F25D 23/04; F25D 23/067; F25D 23/069; A01G 9/045; A01G 9/047; A01G 9/027; A01G 9/028
See application file for complete search history.

(56) **References Cited**

U.S. PATENT DOCUMENTS

- D106,419 S * 10/1937 Barber F25D 25/02 D15/89
- 4,887,388 A * 12/1989 Waltel, Jr. A01G 25/02 47/79
- D440,118 S * 4/2001 Claffy D7/553.1
- D483,384 S * 12/2003 Becke F25D 25/02 D15/89

- D712,939 S * 9/2014 Jeon F25D 25/02 D15/89
- D777,224 S * 1/2017 Burke F25D 25/021 D15/89
- D828,409 S * 9/2018 Choi F25D 25/02 D15/89
- D839,932 S * 2/2019 Choi F25D 25/02 D15/89
- D847,218 S * 4/2019 Choi D15/89
- D862,532 S * 10/2019 Lee F25D 25/02 D15/89

(Continued)

Primary Examiner — Calvin E Vansant

(74) *Attorney, Agent, or Firm* — Birch, Stewart, Kolasch & Birch, LLP

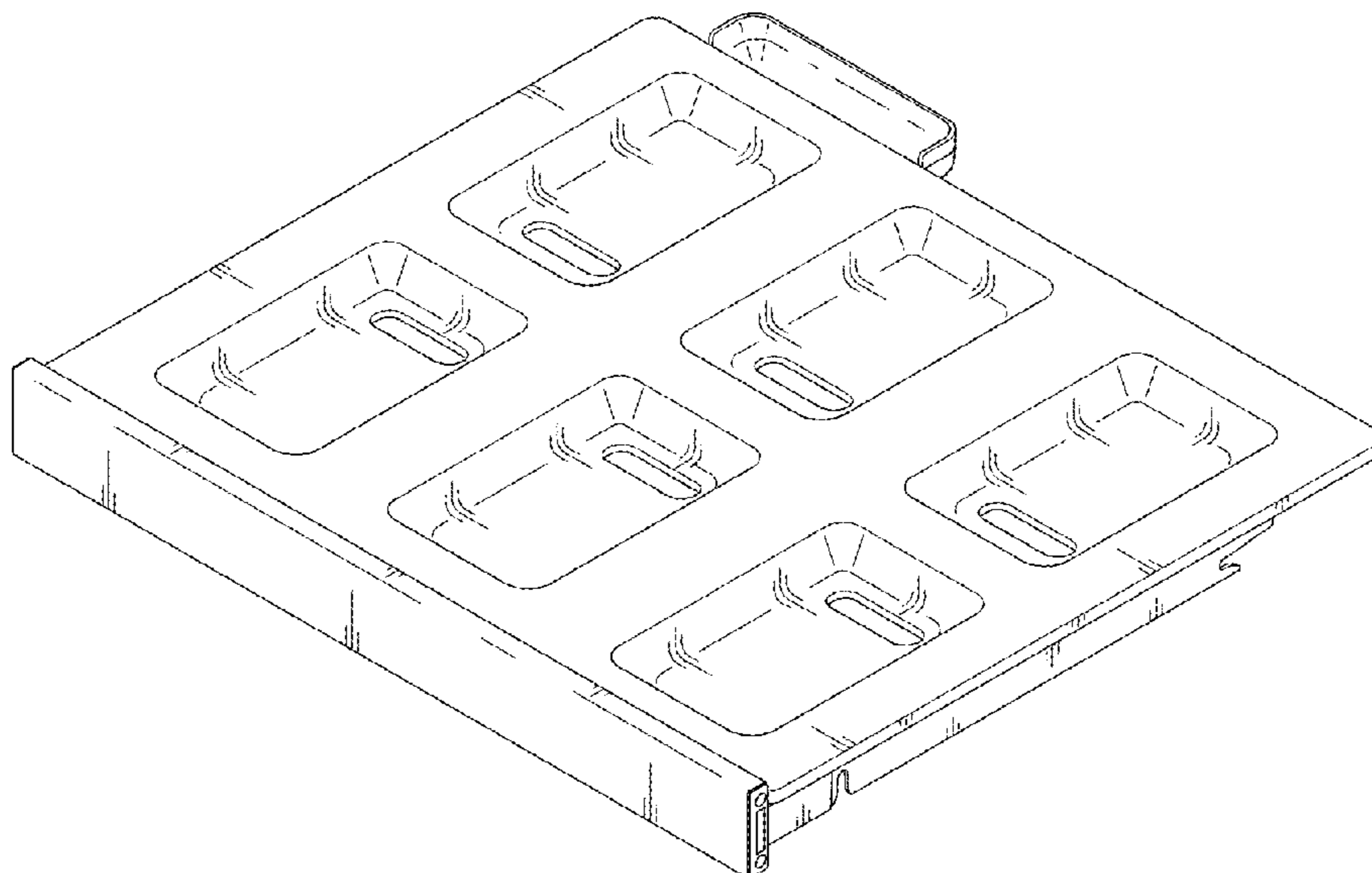
(57) **CLAIM**

The ornamental design for a shelf for indoor plant cultivators, as shown and described.

DESCRIPTION

FIG. 1 is a front perspective view of the shelf for indoor plant cultivators showing our new design;
 FIG. 2 is a front view thereof;
 FIG. 3 is a back view thereof;
 FIG. 4 is a left side view thereof;
 FIG. 5 is a right side view thereof;
 FIG. 6 is a top plan view thereof;
 FIG. 7 is a bottom plan view thereof;
 FIG. 8 is an exploded view showing the state of the upper and lower parts; and,
 FIG. 9 is a perspective view showing the state of use in which the pod with the soil and seeds has been placed at the top part of the claimed design, and then the claimed design with the pod is being installed at the inside of the indoor plant cultivators.
 The portions of FIG. 9 drawn in broken lines show environmental structure only and form no part of the claimed design.

1 Claim, 9 Drawing Sheets



(56)

References Cited

U.S. PATENT DOCUMENTS

D901,327 S *	11/2020	Choi	A01G 31/02
				D11/155
D909,239 S *	2/2021	Choi	D11/155
D954,766 S *	6/2022	Olegovich	D15/89
2009/0260282 A1 *	10/2009	Hashimoto	A01G 31/02
				47/20.1
2016/0029572 A1 *	2/2016	Stott	A01G 9/045
				47/66.7

* cited by examiner

FIG. 1

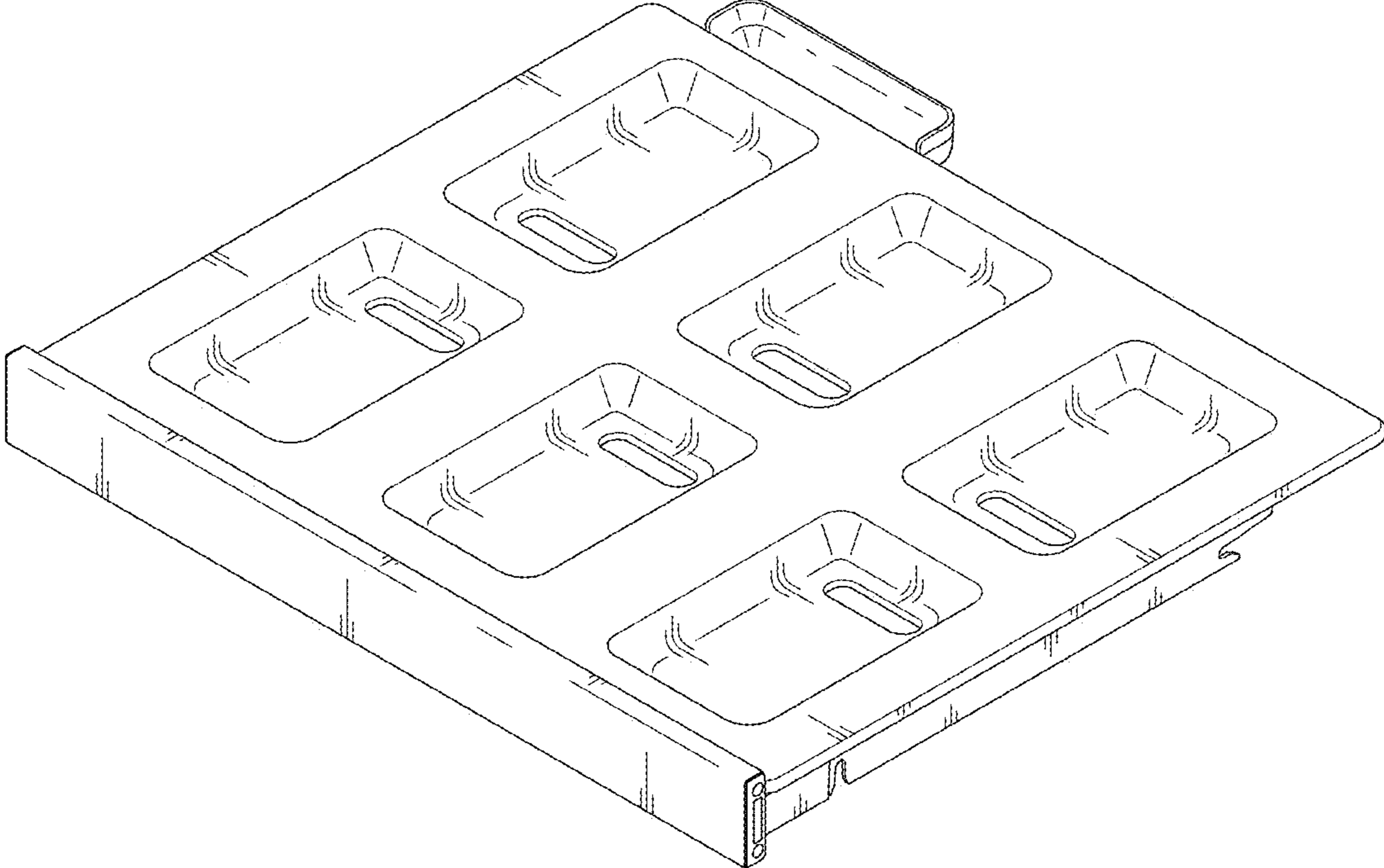


FIG. 2

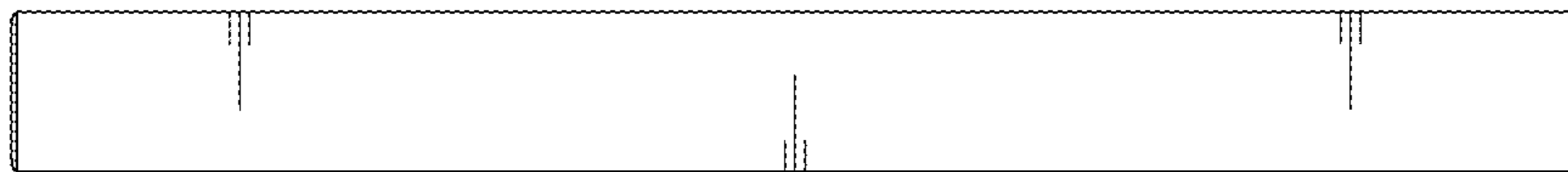


FIG. 3

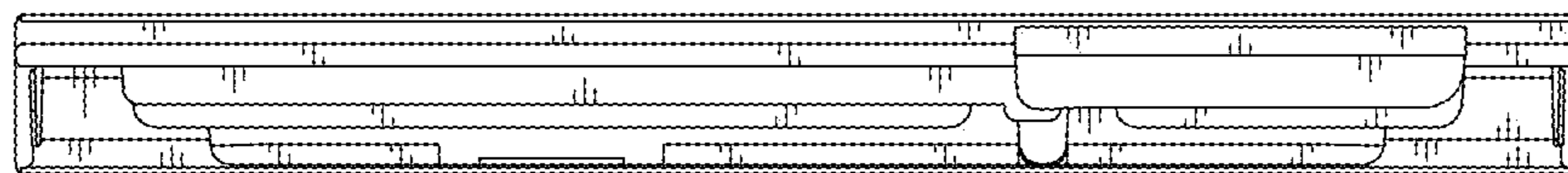


FIG. 4

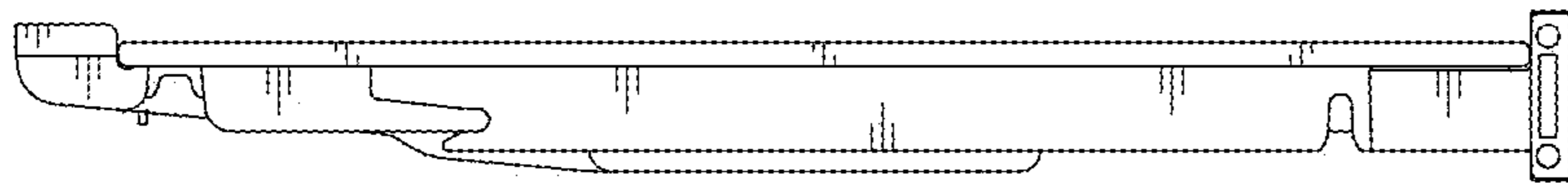


FIG. 5

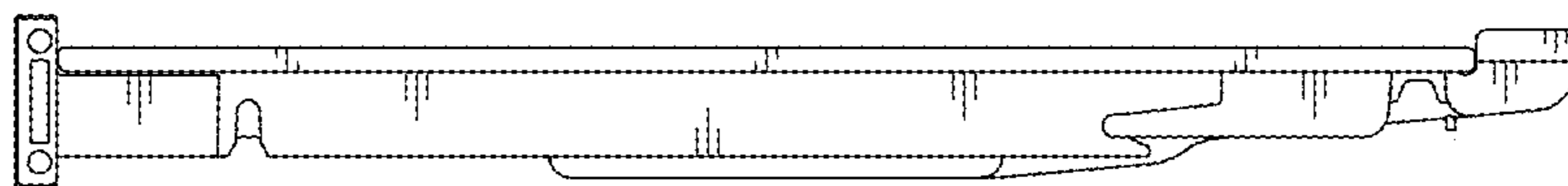


FIG. 6

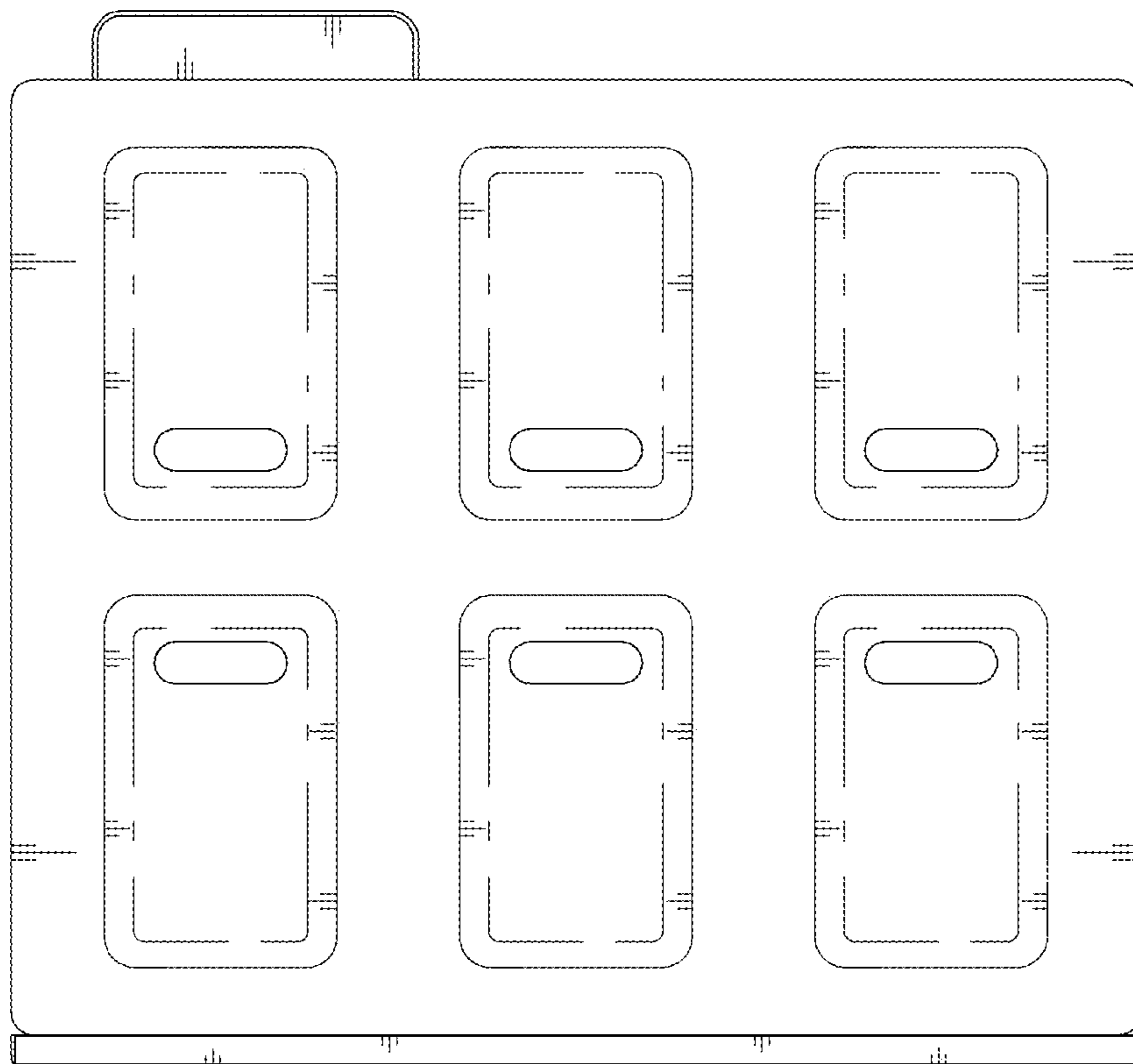


FIG. 7

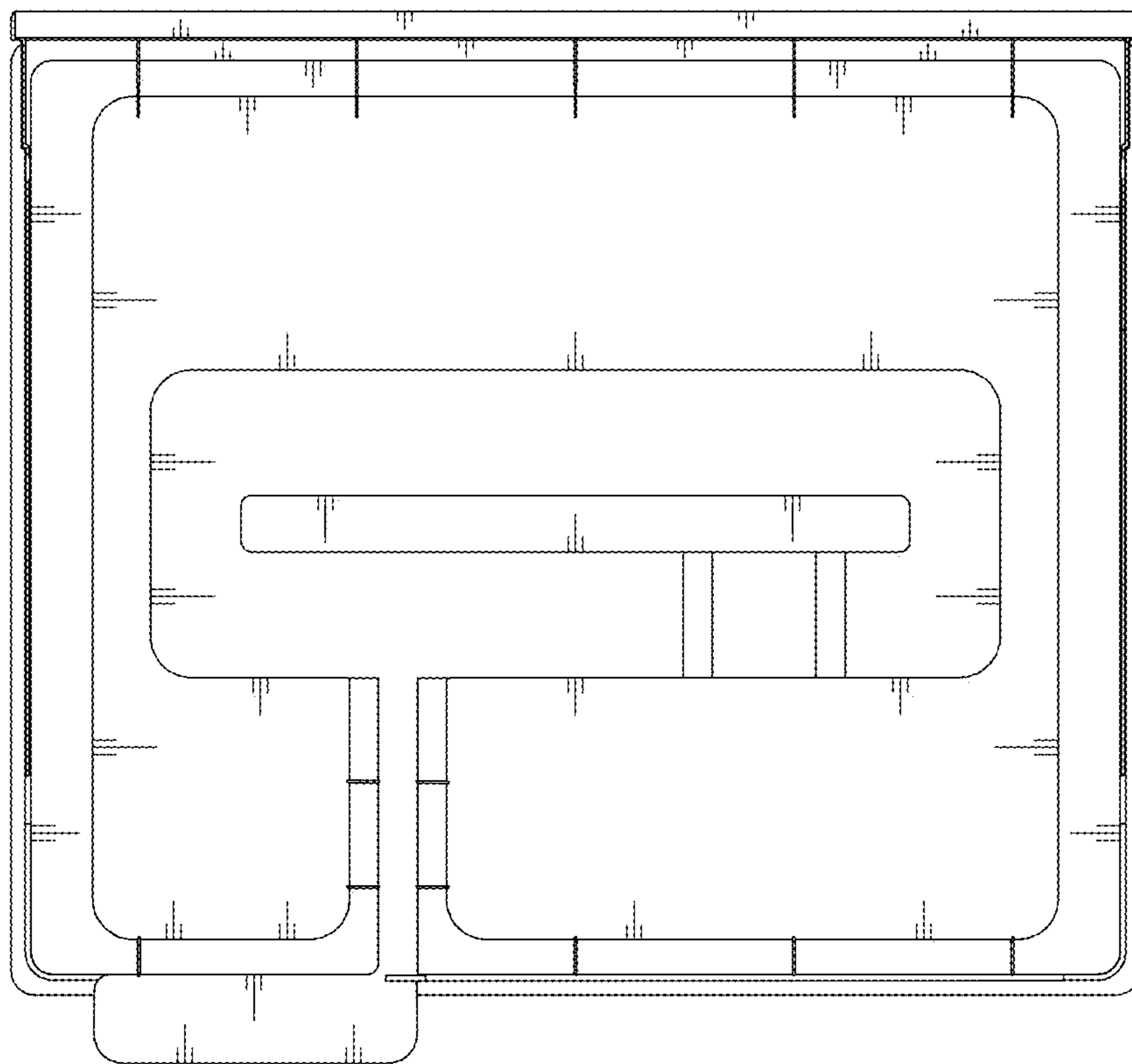


FIG. 8

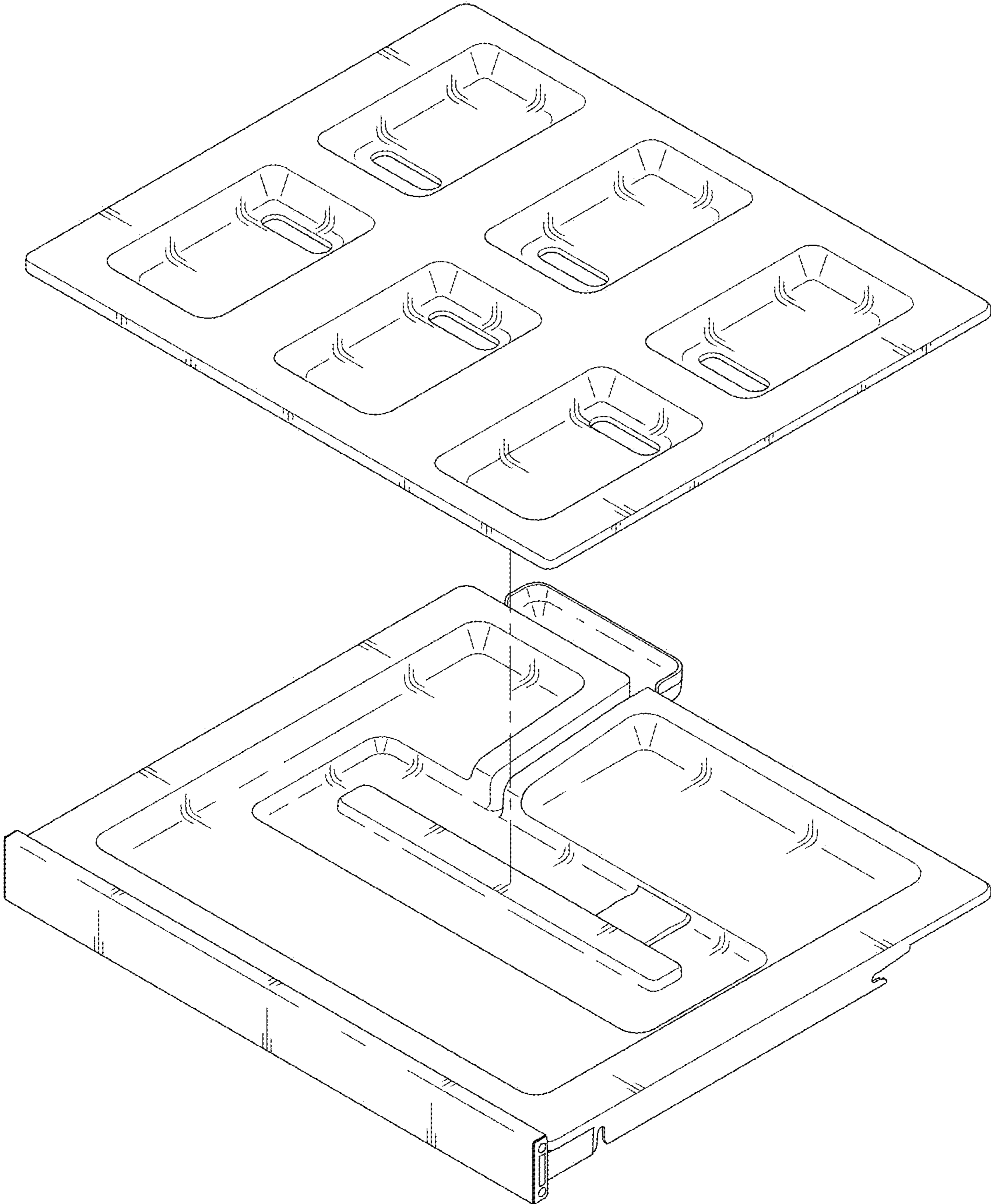


FIG. 9

