



US00D985300S

(12) **United States Design Patent** (10) **Patent No.:** **US D985,300 S**  
**Mayer** (45) **Date of Patent:** **\*\* \*May 9, 2023**

(54) **LOUNGE BED**

(71) Applicant: **Virgin Hotels, LLC LIMITED LIABILITY COMPANY NEW YORK, New York, NY (US)**

(72) Inventor: **Theodore Mayer, Miami, FL (US)**

(\* ) Notice: This patent is subject to a terminal disclaimer.

(\*\*) Term: **15 Years**

(21) Appl. No.: **29/741,616**

(22) Filed: **Jul. 14, 2020**

(51) **LOC (14) Cl.** ..... **06-02**

(52) **U.S. Cl.**  
USPC ..... **D6/393**

(58) **Field of Classification Search**  
USPC ..... D6/393, 384, 389, 382, 383, 394, 395,  
D6/718, 718.2, 718.23, 718.13, 718.29  
CPC ..... A47C 19/002; A47C 19/00  
See application file for complete search history.

(56) **References Cited**

**U.S. PATENT DOCUMENTS**

|           |     |         |          |       |             |
|-----------|-----|---------|----------|-------|-------------|
| 1,639,847 | A * | 8/1927  | Greenman | ..... | A47C 19/022 |
|           |     |         |          |       | 5/131       |
| D263,659  | S * | 4/1982  | Cohen    | ..... | 5/915       |
| D277,054  | S * | 1/1985  | Hull     | ..... | D6/393      |
| D297,289  | S * | 8/1988  | Strom    | ..... | D6/389      |
| D443,773  | S * | 6/2001  | O'Hare   | ..... | D6/393      |
| D454,720  | S * | 3/2002  | O'Hare   | ..... | D6/393      |
| D480,889  | S * | 10/2003 | Risdon   | ..... | D6/393      |
| D486,666  | S * | 2/2004  | O'Hare   | ..... | D6/393      |
| D493,975  | S * | 8/2004  | Juneau   | ..... | D6/393      |
| D545,078  | S * | 6/2007  | Jourdan  | ..... | D6/393      |
| D660,045  | S * | 5/2012  | Lenney   | ..... | D6/393      |

|              |      |         |             |       |             |
|--------------|------|---------|-------------|-------|-------------|
| D707,054     | S *  | 6/2014  | Beucler     | ..... | D6/377      |
| D727,053     | S    | 4/2015  | Yoon et al. |       |             |
| D802,324     | S *  | 11/2017 | Bucove      | ..... | D6/393      |
| D870,487     | S *  | 12/2019 | Sumlin      | ..... | D6/393      |
| 2021/0052080 | A1 * | 2/2021  | Huang       | ..... | A47C 19/022 |

**OTHER PUBLICATIONS**

Richard Branson Wants You To Sleep in His Bed, available in amlu.com, published Dec. 17, 2015 Year 2015 [online], Retrieved on Jan. 7, 2022 from URL: <https://www.amlu.com/2015/12/17/richard-branson-wants-you-to-sleep-in-his-bed/> (Year: 2015).\*

\* cited by examiner

*Primary Examiner* — Vy N Koenig

*Assistant Examiner* — Michelle M Reeves

(74) *Attorney, Agent, or Firm* — Norvell IP, LLC

(57) **CLAIM**

The ornamental design for a lounge bed, as shown and described.

**DESCRIPTION**

FIG. 1 is a perspective view showing the lounge bed of the present invention.

FIG. 2 is a top view of the invention shown in FIG. 1.

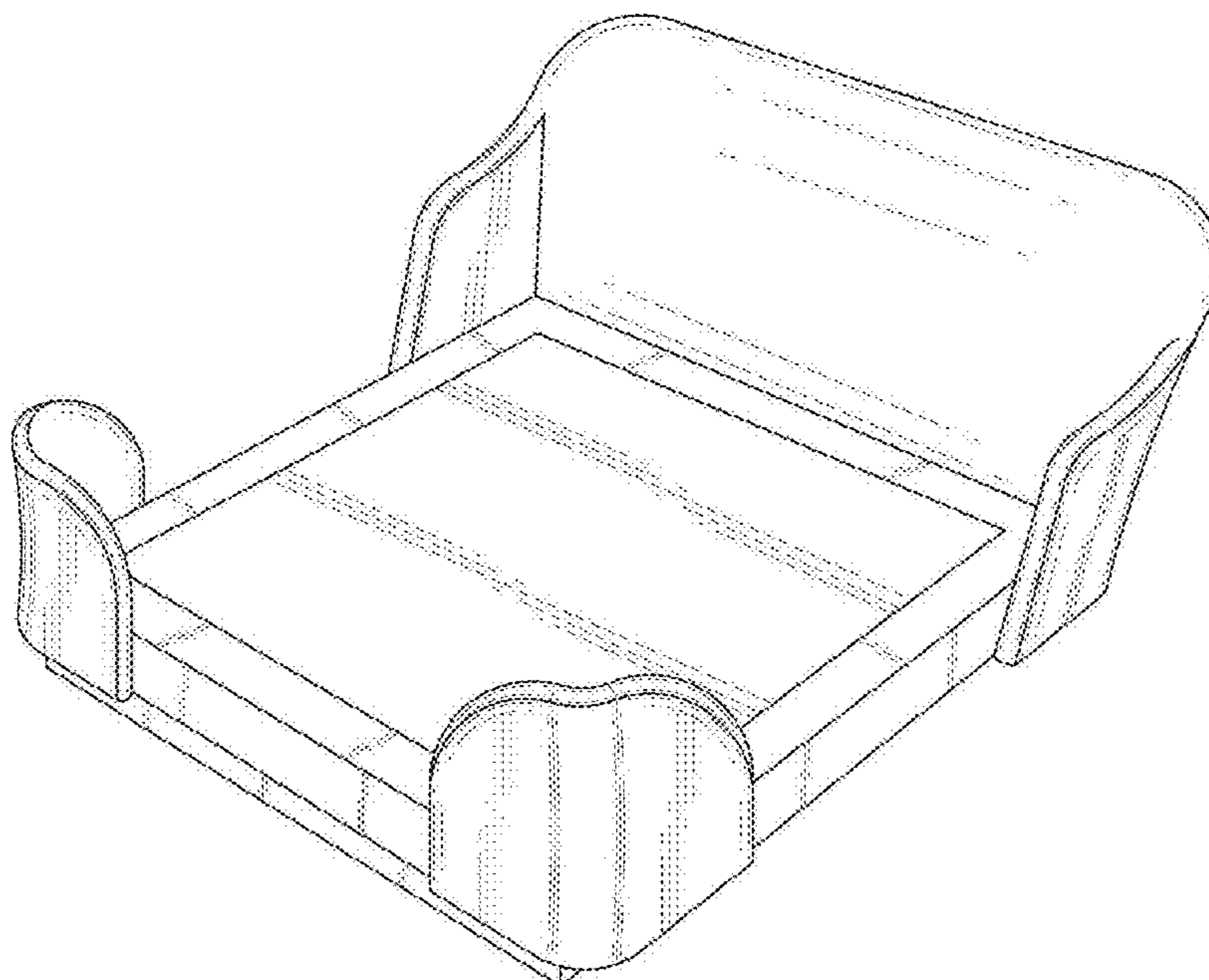
FIG. 3 is a front view of the invention shown in FIG. 1.

FIG. 4 is a back view of the invention shown in FIG. 1.

FIG. 5 is a first side view of the invention shown in FIG. 1; and,

FIG. 6 is a second side view of the invention shown in FIG. 1.

**1 Claim, 6 Drawing Sheets**



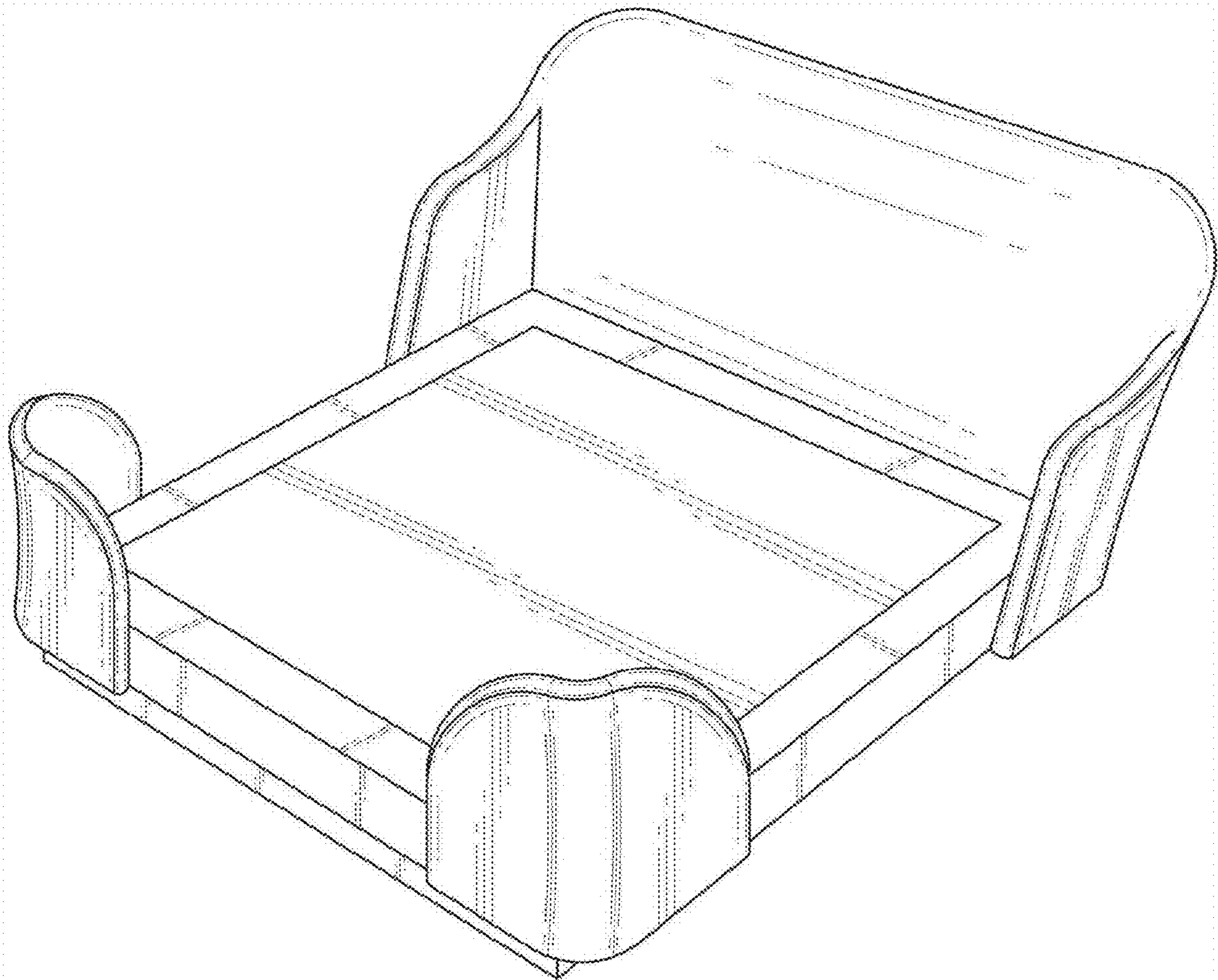


FIG. 1

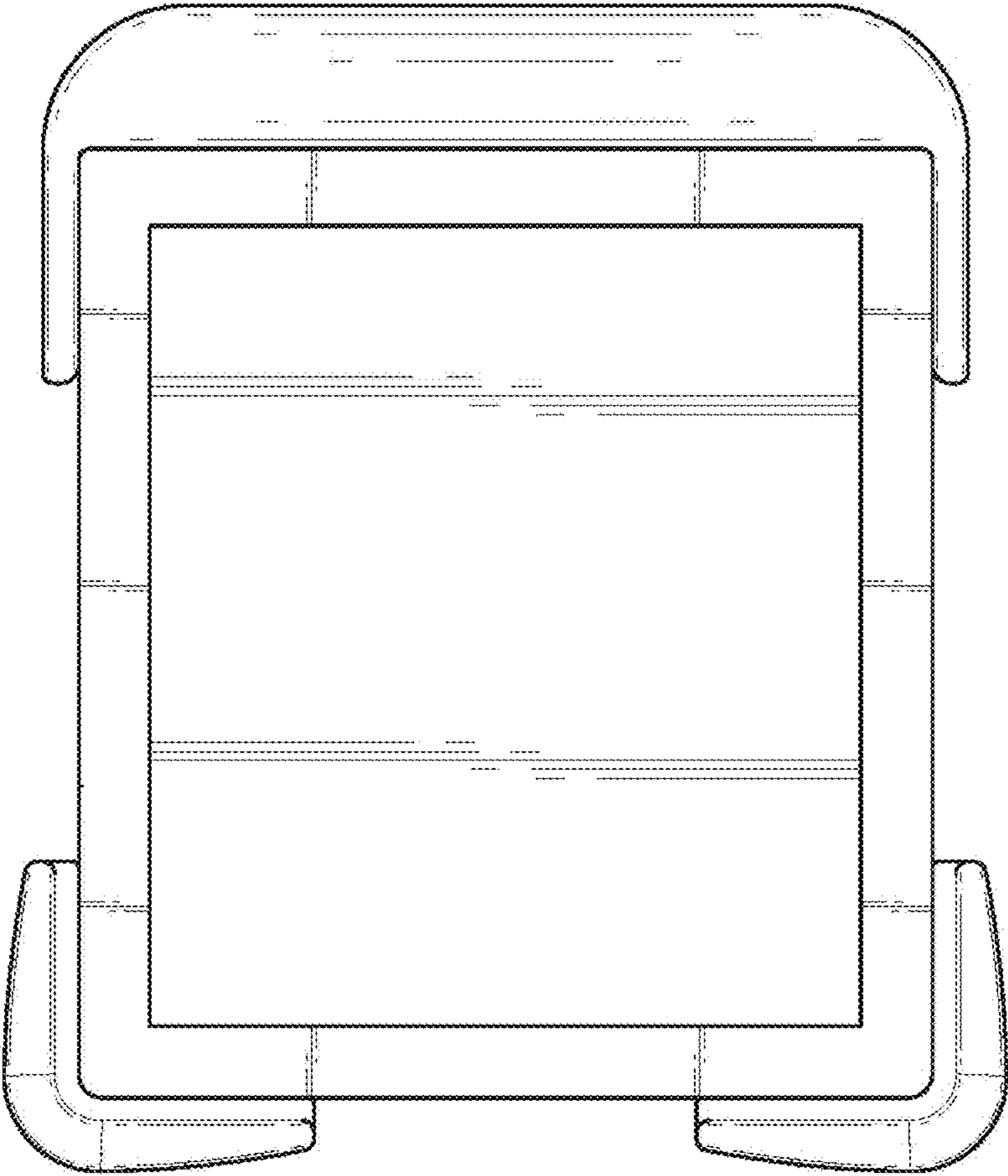


FIG. 2

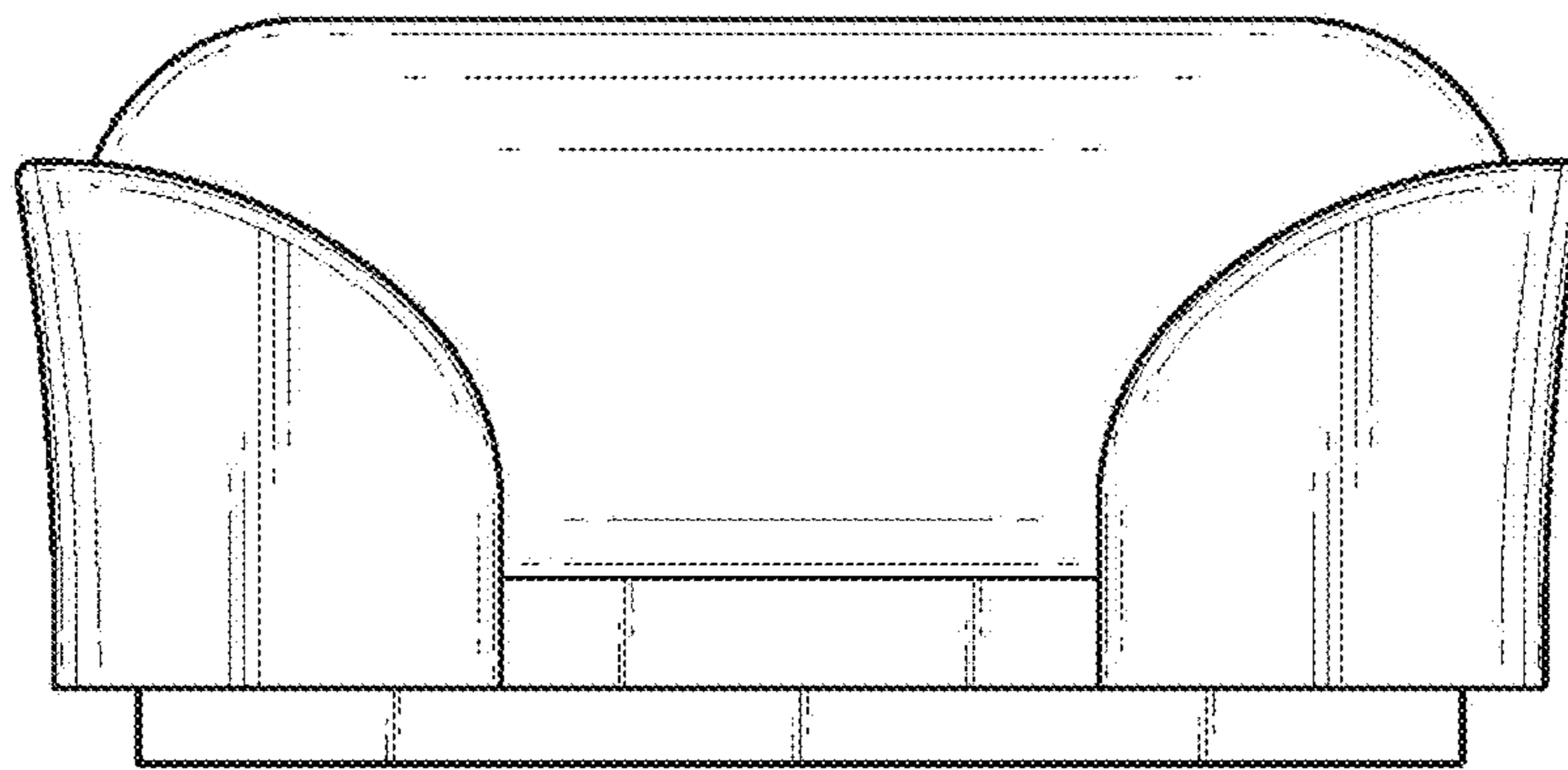


FIG. 3

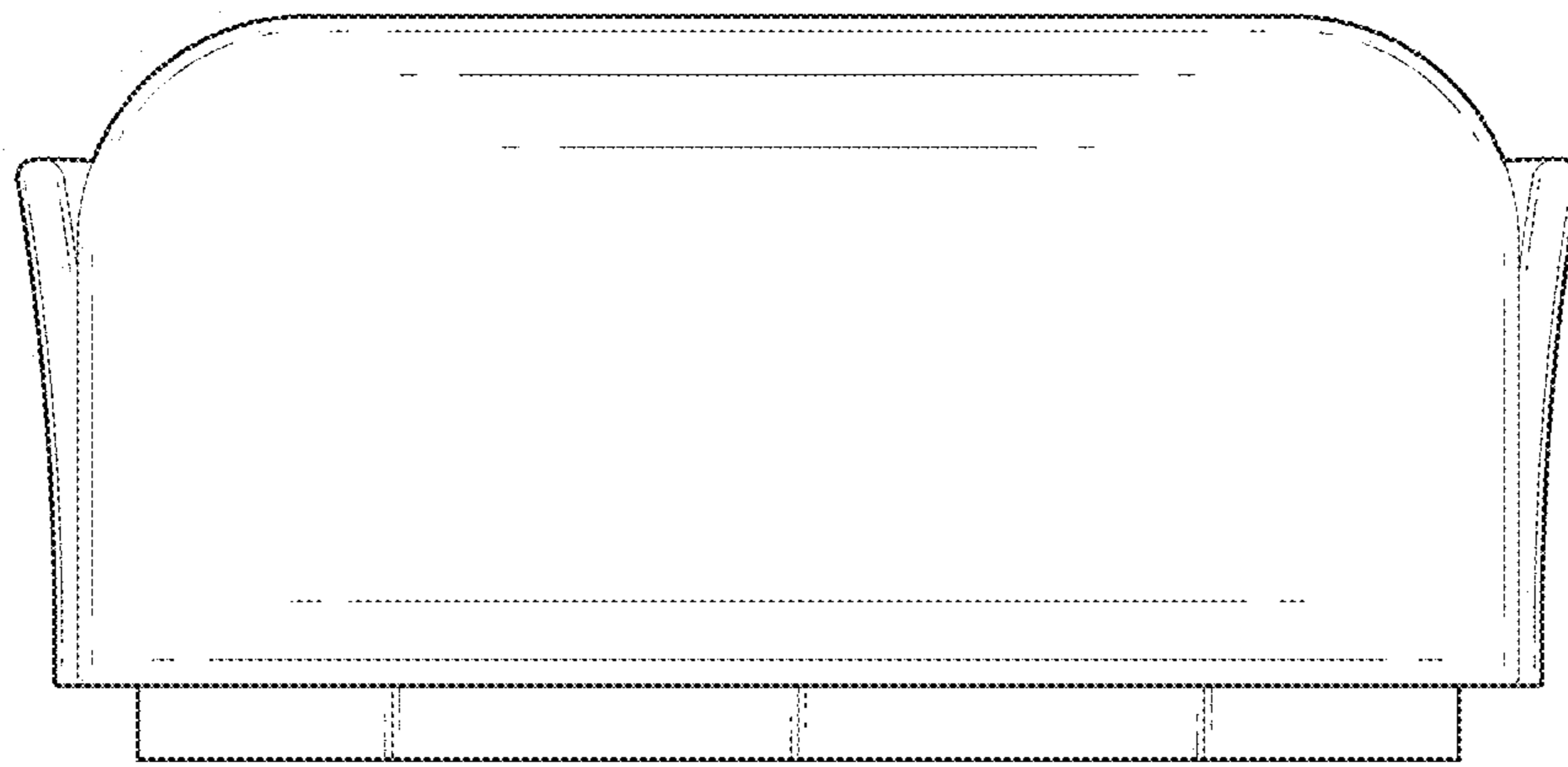


FIG. 4

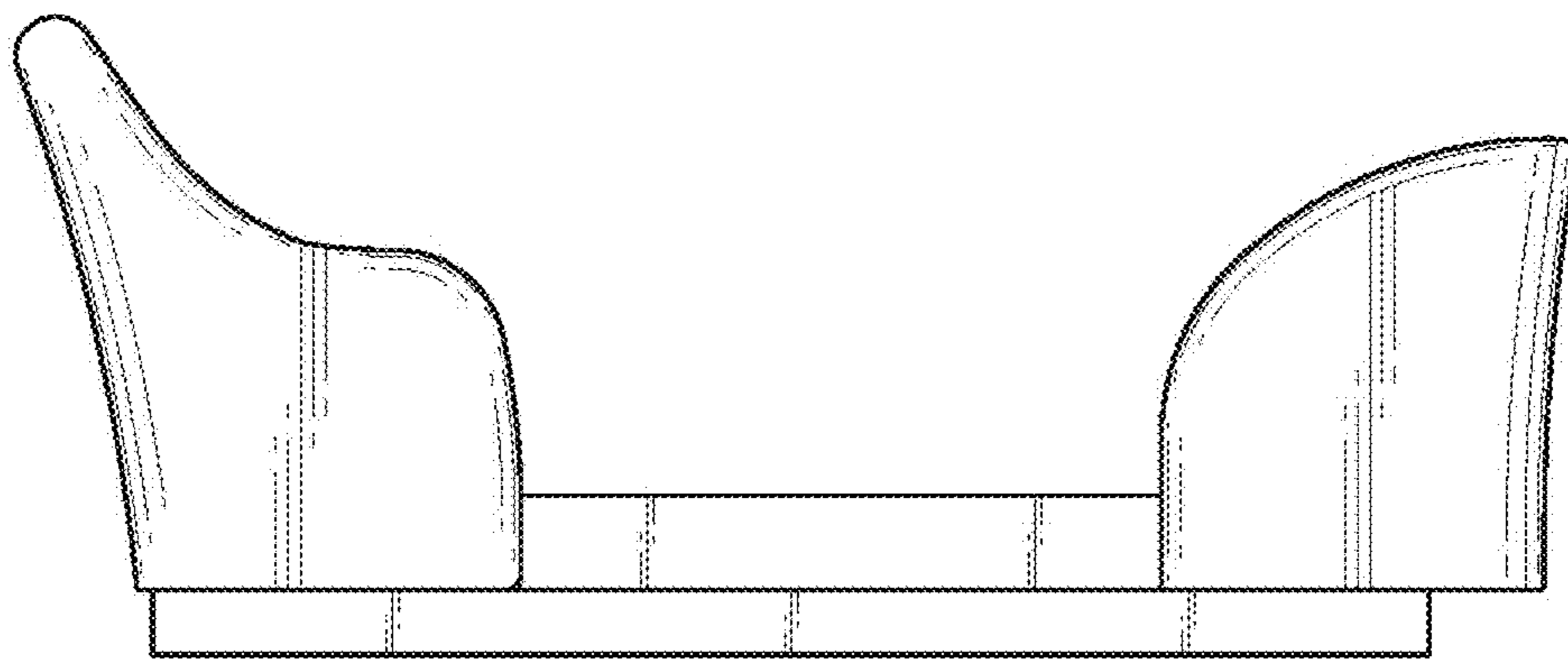


FIG. 5

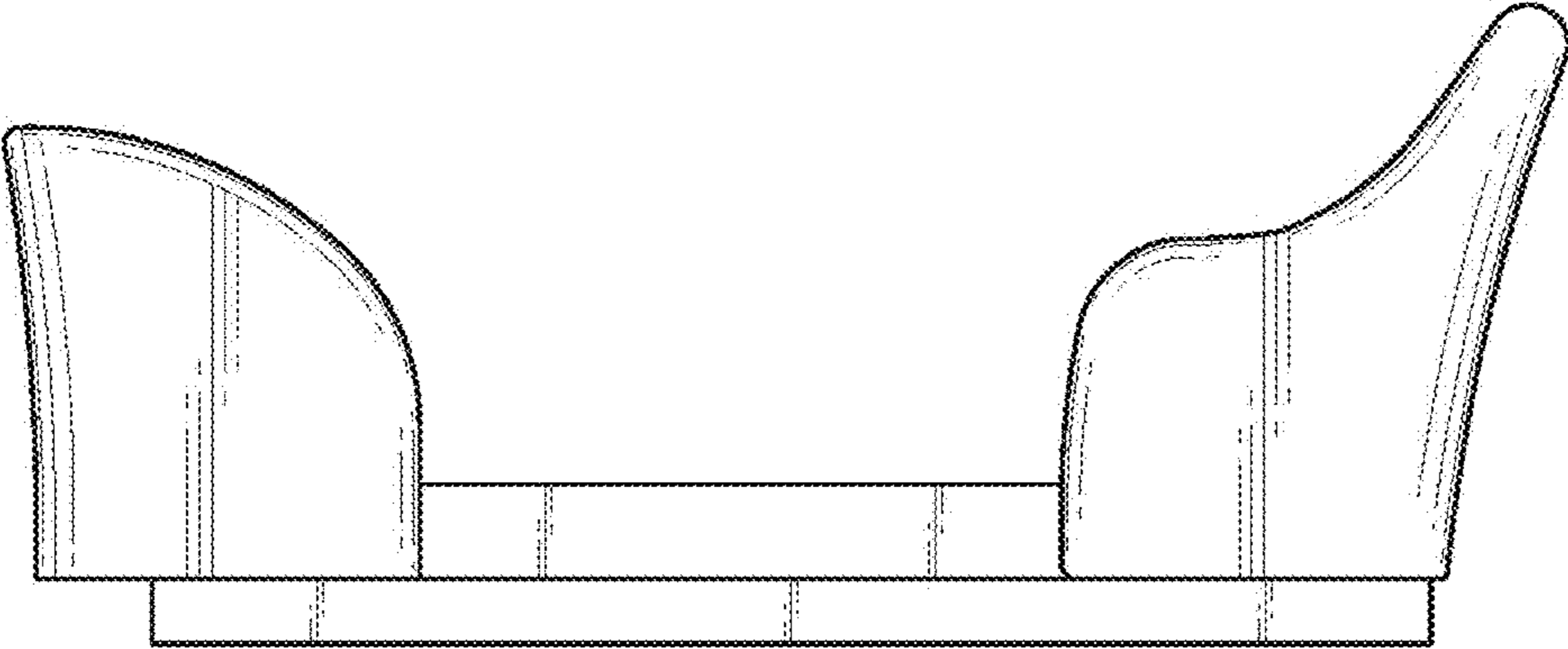


FIG. 6