



US00D985299S

(12) **United States Design Patent**
Collier

(10) **Patent No.:** **US D985,299 S**

(45) **Date of Patent:** **** May 9, 2023**

(54) **ACCESSORY ARMREST FOR FURNITURE**

(71) Applicant: **eMoMo Technology Co., Ltd.**,
Shenzhen (CN)

(72) Inventor: **Jeffrey S. Collier**, Los Angeles, CA
(US)

(73) Assignee: **eMoMo Technology Co., Ltd.**, Baoan
(CN)

(**) Term: **15 Years**

(21) Appl. No.: **29/729,633**

(22) Filed: **Mar. 28, 2020**

(51) **LOC (14) Cl.** **06-06**

(52) **U.S. Cl.**
USPC **D6/716.2**

(58) **Field of Classification Search**
USPC D6/329, 406.1, 687, 716, 716.2, 334,
D6/356, 381, 686, 512, 513; D12/415,
D12/416, 419, 421
CPC B60N 2/79; B60N 2/793; A47C 7/624;
A47C 7/546
See application file for complete search history.

(56) **References Cited**

U.S. PATENT DOCUMENTS

D240,869 S *	8/1976	Marr	D12/419
D260,823 S	9/1981	Stulik, Jr.		
D317,674 S *	6/1991	Smith	D12/419
D323,932 S *	2/1992	Hudgens	D12/419
D358,578 S *	5/1995	Walker	D12/419
D358,956 S *	6/1995	Mitjans	D6/716.2
D359,945 S *	7/1995	Cameron	D12/421
D374,856 S *	10/1996	Berninger	D12/419
D376,345 S *	12/1996	Hough	D12/421

(Continued)

FOREIGN PATENT DOCUMENTS

JP 2006149465 A * 6/2006

Primary Examiner — Deanna L Pratt

(74) *Attorney, Agent, or Firm* — Moyles IP, LLC

(57) **CLAIM**

The ornamental design for an accessory armrest for furniture, as shown and described.

DESCRIPTION

FIG. 1 is a perspective of an accessory armrest for furniture of a first embodiment shown positioned between cushions of furniture;

FIG. 2 is a top plan of the accessory armrest of the first embodiment;

FIG. 3 is a bottom plan of the accessory armrest of the first embodiment;

FIG. 4 is a left side elevation of the accessory armrest of the first embodiment;

FIG. 5 is a right side elevation of the accessory armrest of the first embodiment;

FIG. 6 is a front elevation of the accessory armrest of the first embodiment;

FIG. 7 is a rear elevation of the accessory armrest of the first embodiment;

FIG. 8 is a perspective of an accessory armrest for furniture of a second embodiment;

FIG. 9 is a top plan of the accessory armrest of the second embodiment;

FIG. 10 is a bottom plan of the accessory armrest of the second embodiment;

FIG. 11 is a left side elevation of the accessory armrest of the second embodiment;

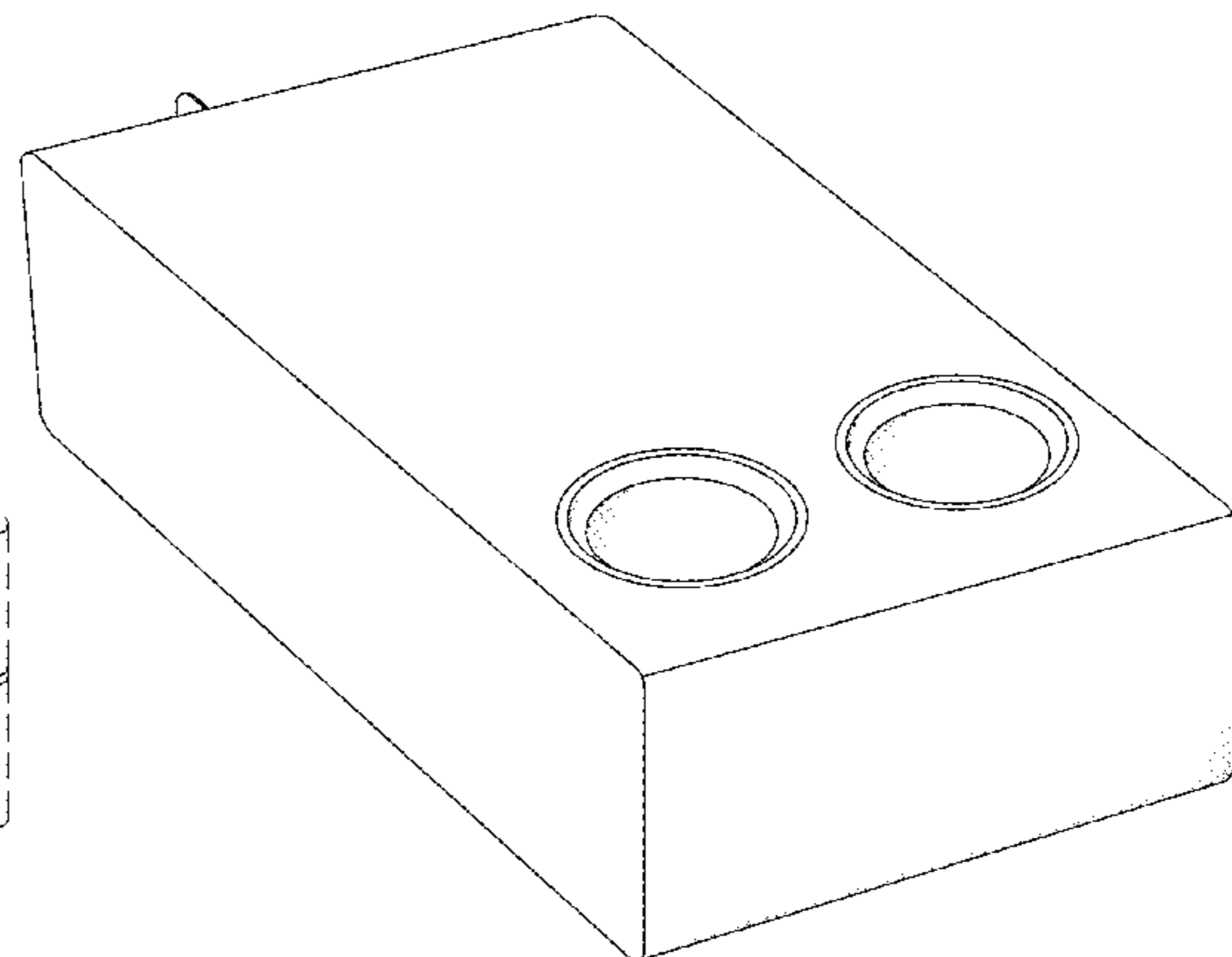
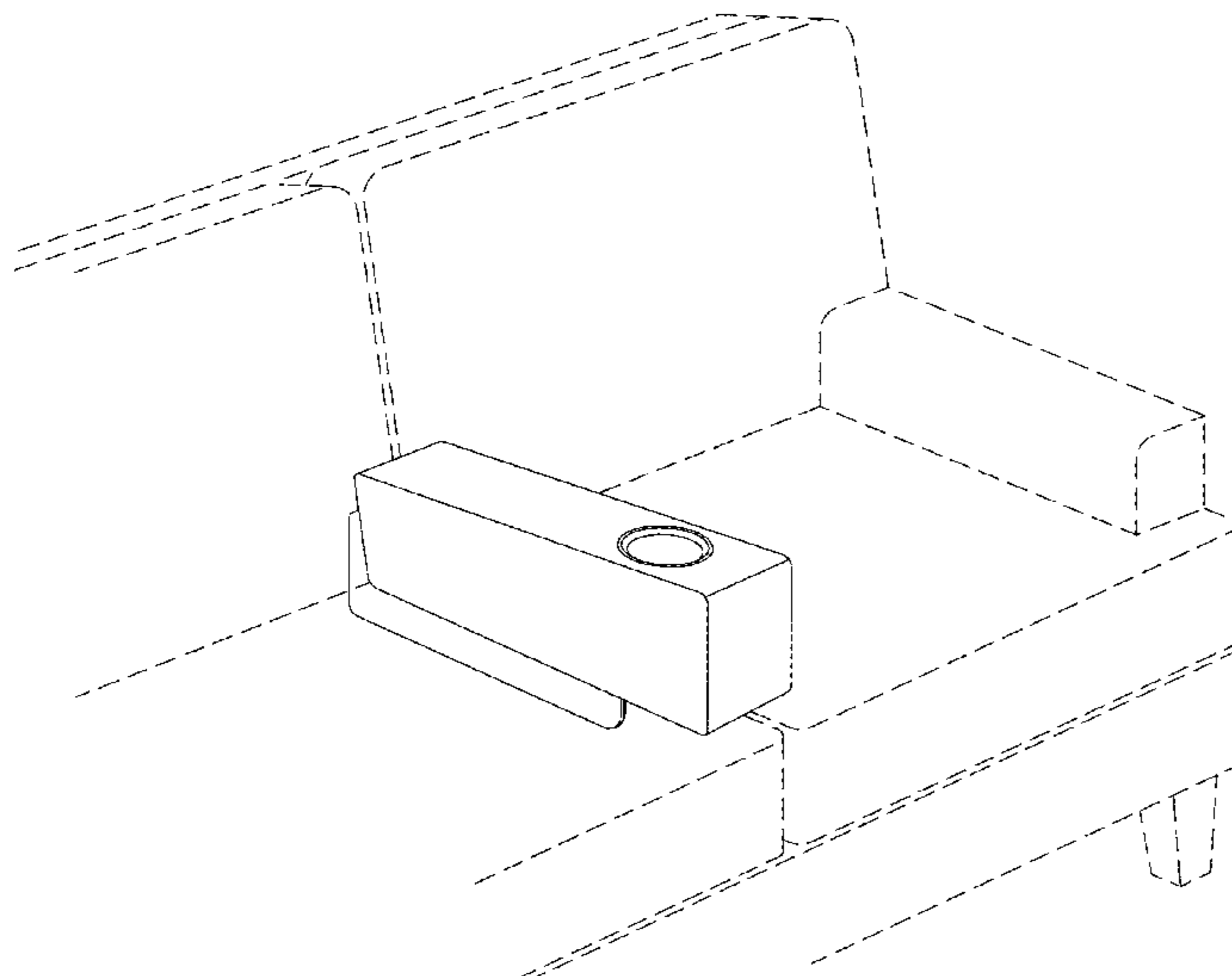
FIG. 12 is a right side elevation of the accessory armrest of the second embodiment;

FIG. 13 is a front elevation of the accessory armrest of the second embodiment; and,

FIG. 14 is a rear elevation of the accessory armrest of the second embodiment.

The dashed lines in the figures illustrate environmental features and form no part of the claimed design.

1 Claim, 14 Drawing Sheets



(56)

References Cited

U.S. PATENT DOCUMENTS

D423,836 S * 5/2000 Bergin D6/716.2
 D442,375 S 5/2001 Stammberger
 D448,580 S 10/2001 Carlson
 D455,018 S 4/2002 Myers et al.
 D457,363 S * 5/2002 Fisher D6/716.2
 D535,484 S 1/2007 May
 D541,064 S 4/2007 Miller et al.
 D551,869 S 10/2007 Zambelli
 D572,916 S 7/2008 Galardo et al.
 D580,664 S 11/2008 Cramer et al.
 D622,516 S 8/2010 Delmestri
 7,766,293 B2 8/2010 Seidl et al.
 D654,708 S 2/2012 Mitjans
 D699,043 S 2/2014 McNae
 8,807,051 B2 * 8/2014 Johnson B60N 2/787
 108/43
 D716,564 S 11/2014 Dix
 D723,829 S 3/2015 Dix
 D726,469 S 4/2015 Dix
 D740,575 S 10/2015 Scott
 D760,504 S 7/2016 Dix
 D782,218 S * 3/2017 Dix D6/381
 D786,597 S * 5/2017 Gao D6/716.2
 D804,210 S 12/2017 Pons
 9,895,000 B2 2/2018 Hassman
 D818,282 S 5/2018 Li
 D836,351 S * 12/2018 King D6/686
 D883,685 S 5/2020 Carter
 D894,655 S * 9/2020 Cook D6/716.2
 D898,389 S * 10/2020 Rottet D6/338
 D922,305 S * 6/2021 Yuhasz D12/419
 D941,602 S * 1/2022 Lin D6/381
 2022/0022656 A1 1/2022 Zhao et al.

* cited by examiner

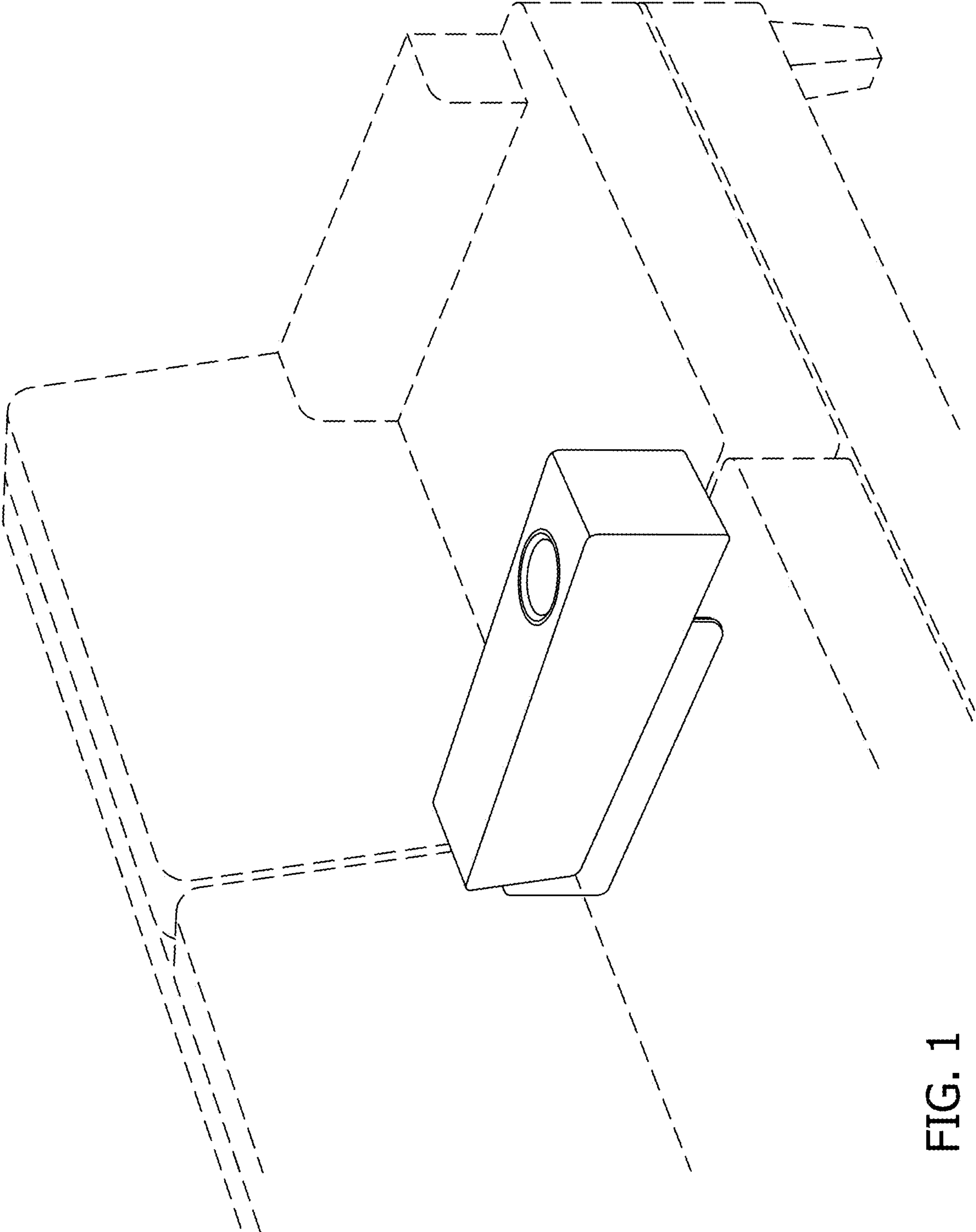


FIG. 1

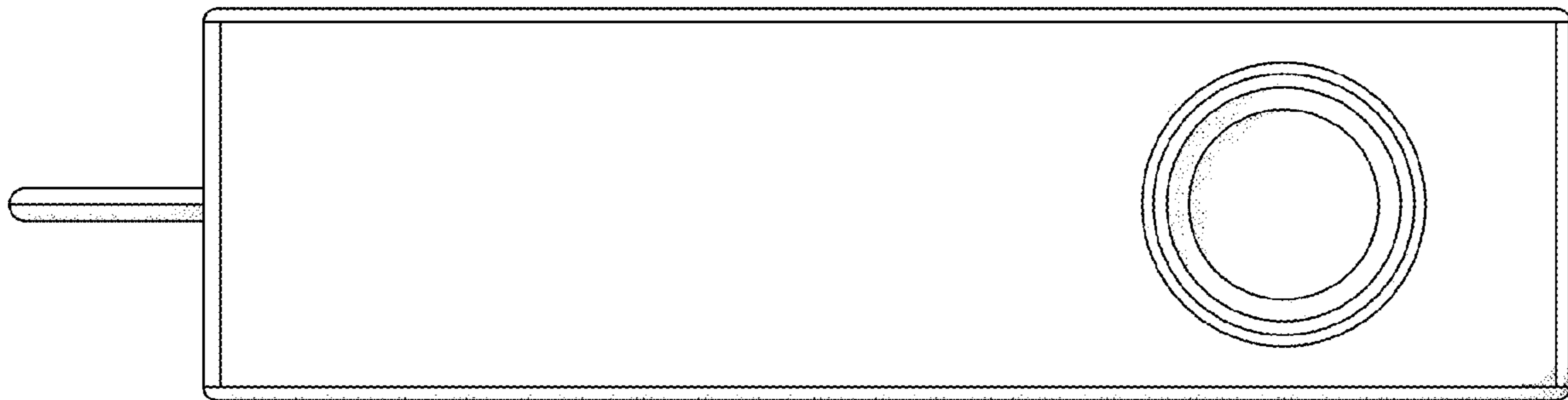


FIG. 2

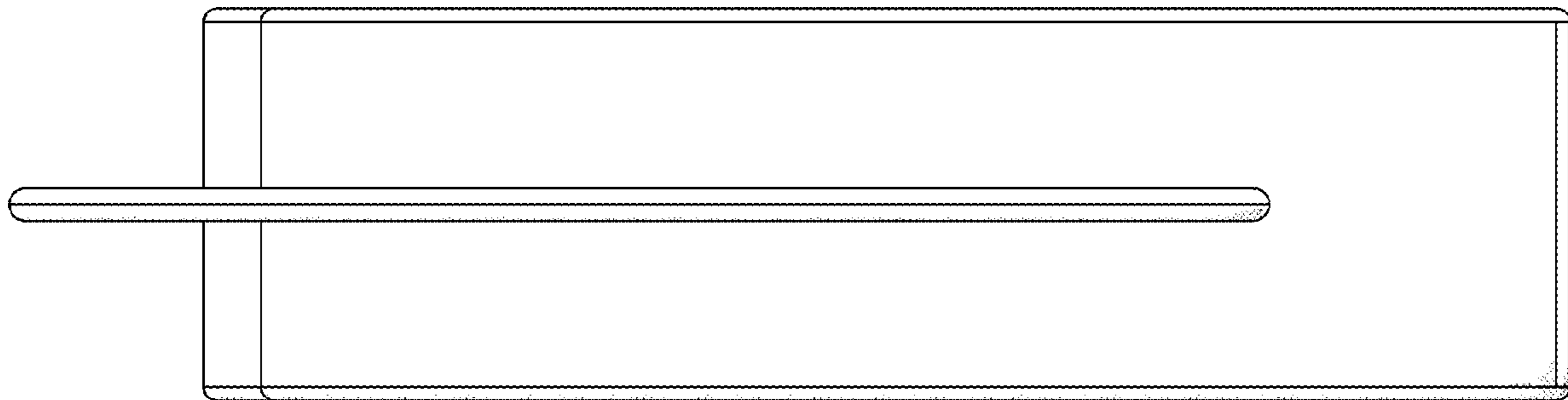


FIG. 3

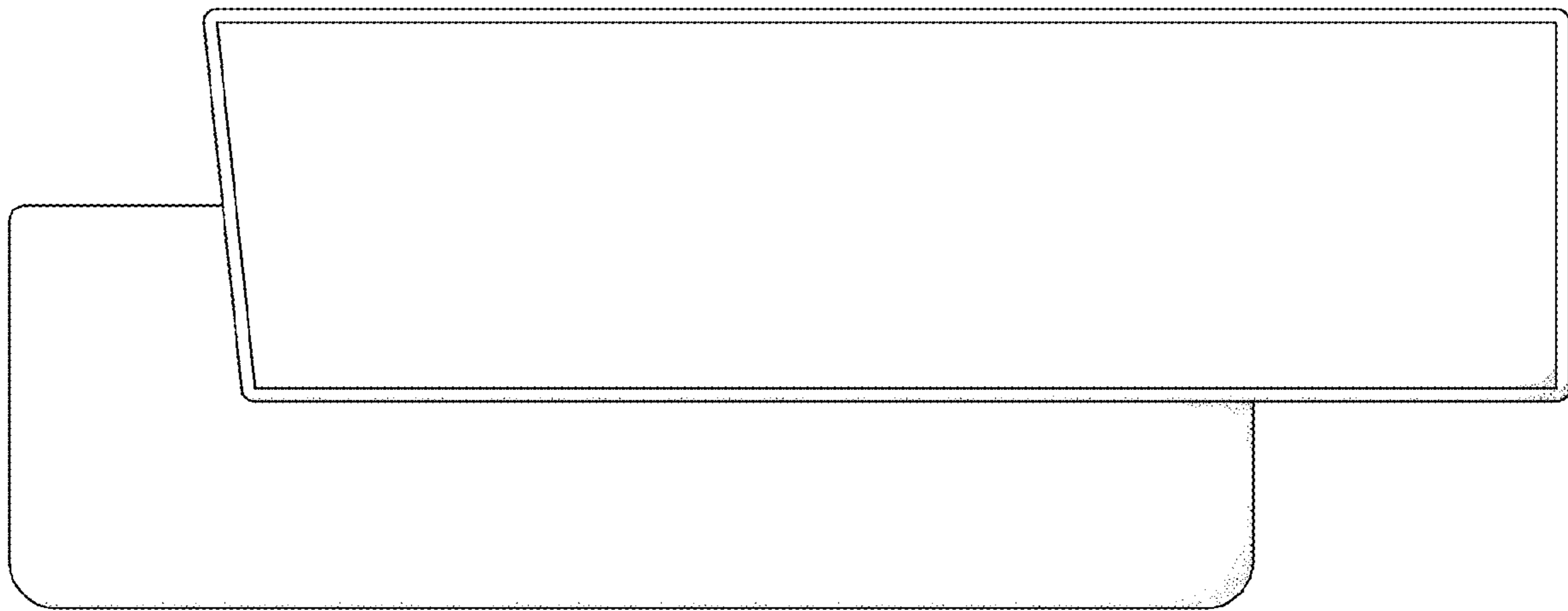


FIG. 4

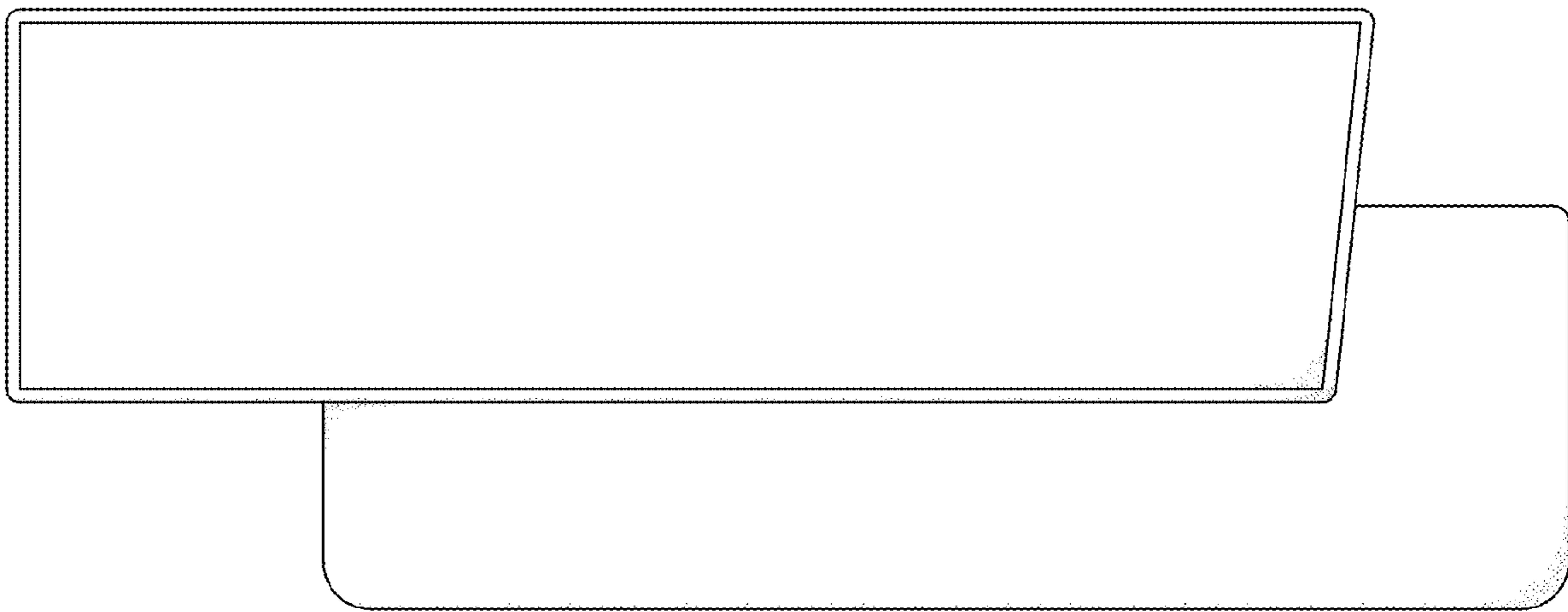


FIG. 5

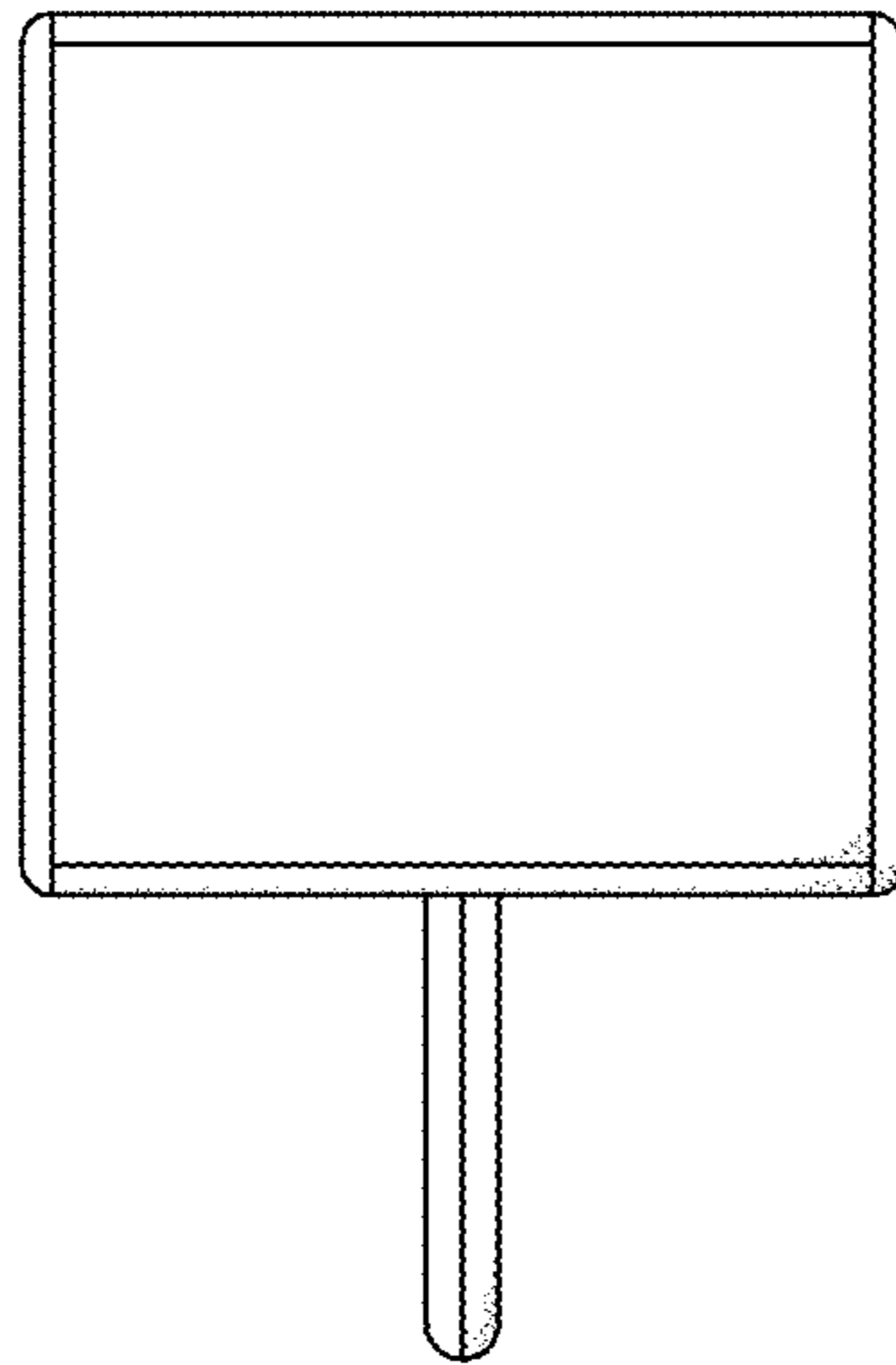


FIG. 6

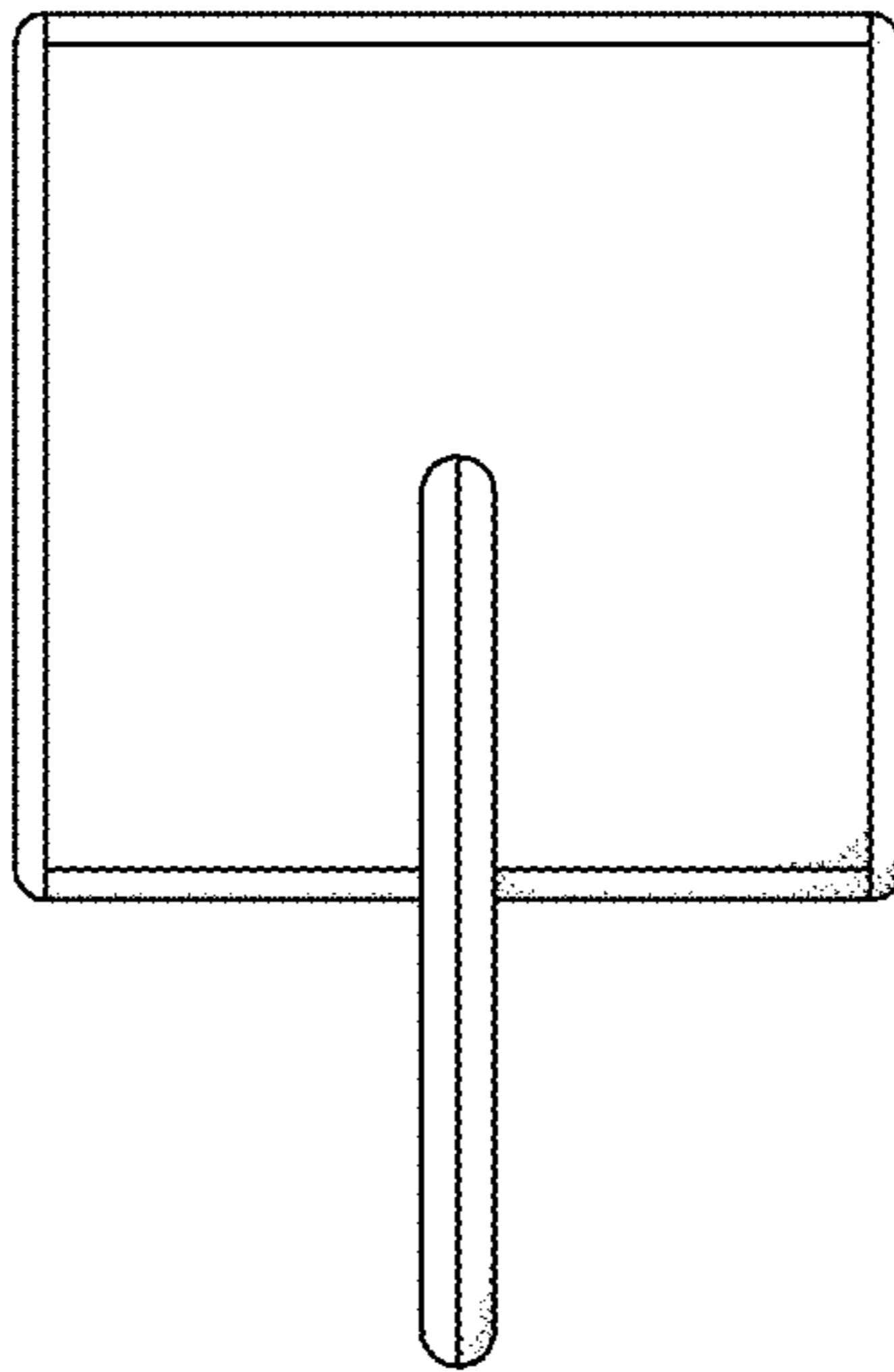


FIG. 7

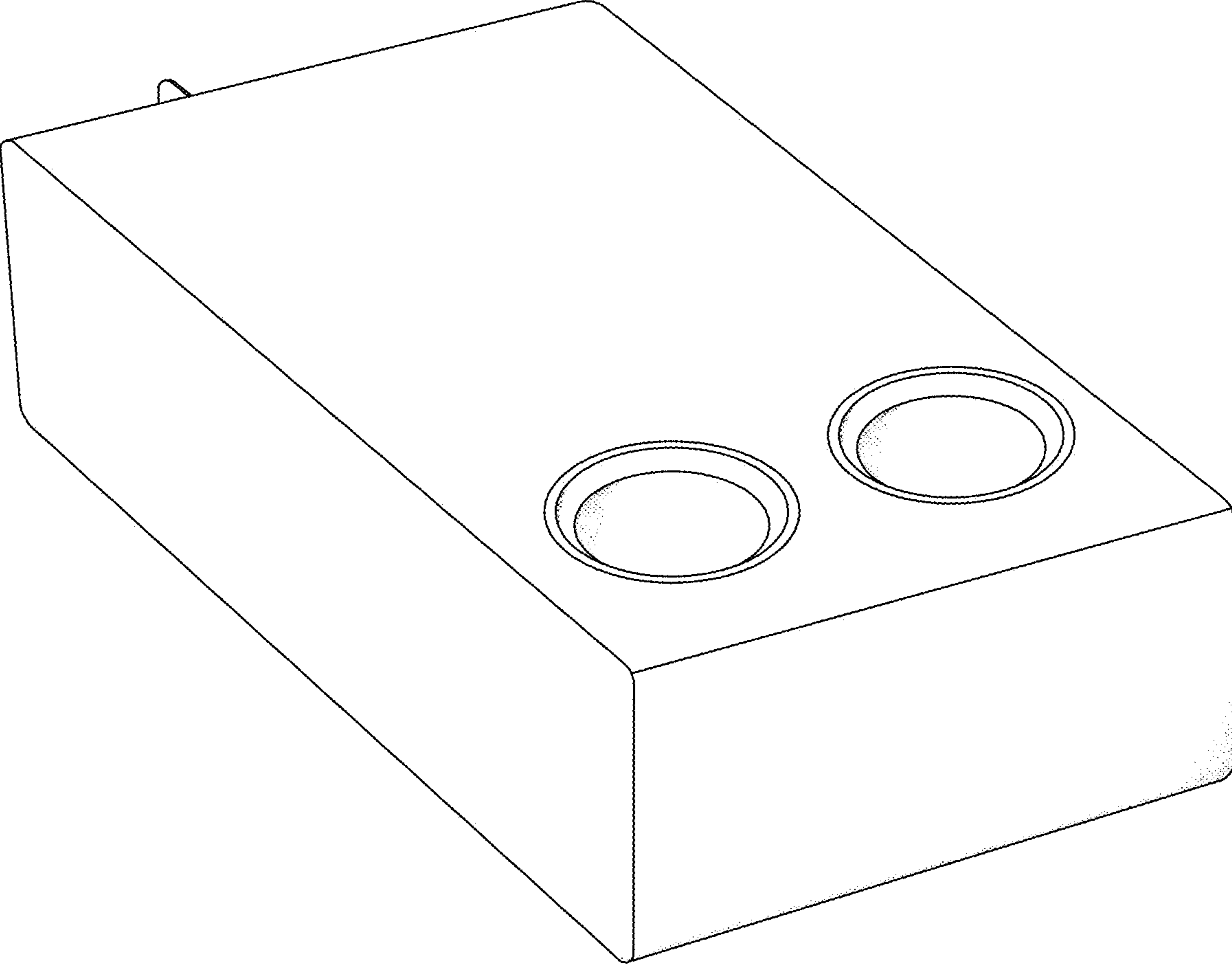


FIG. 8

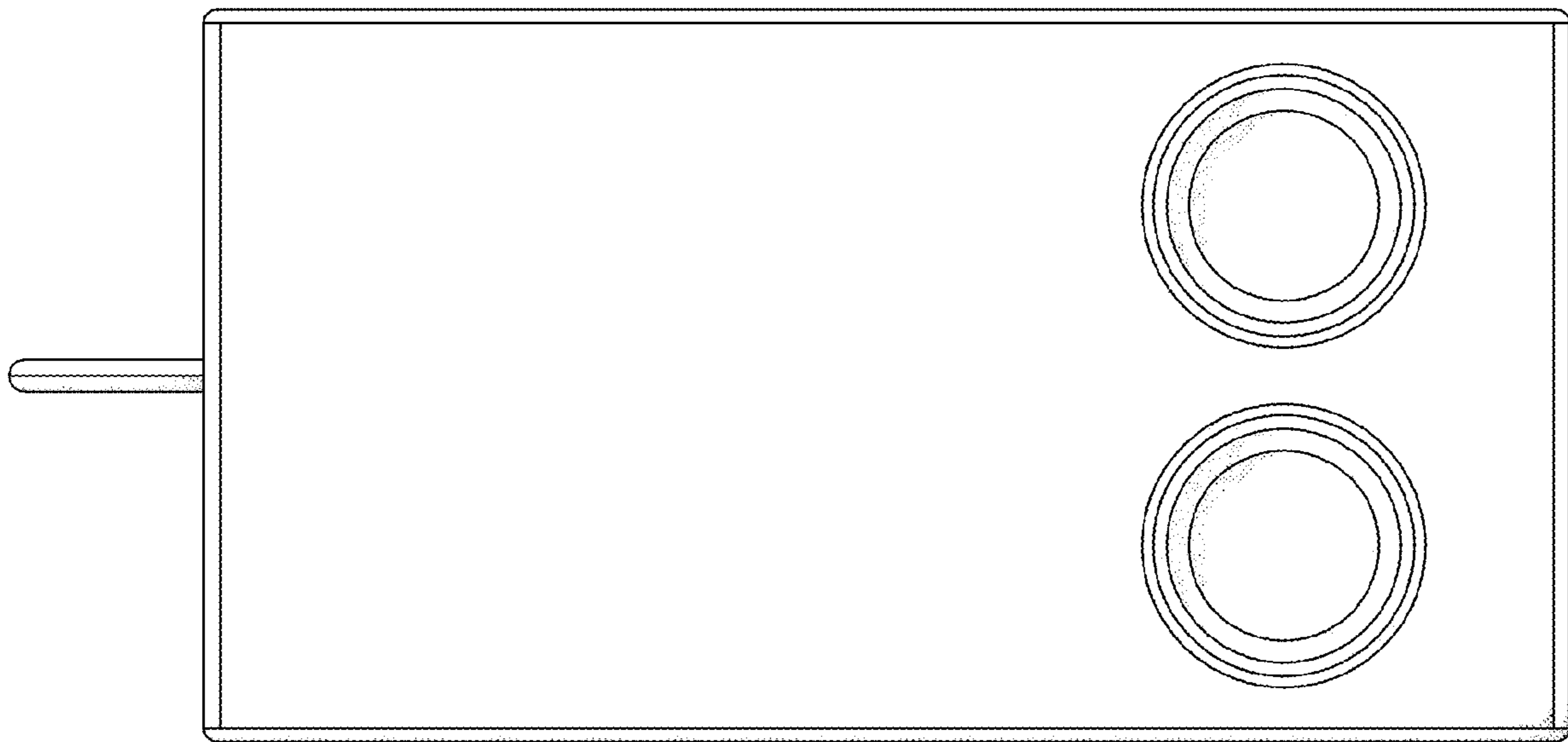


FIG. 9

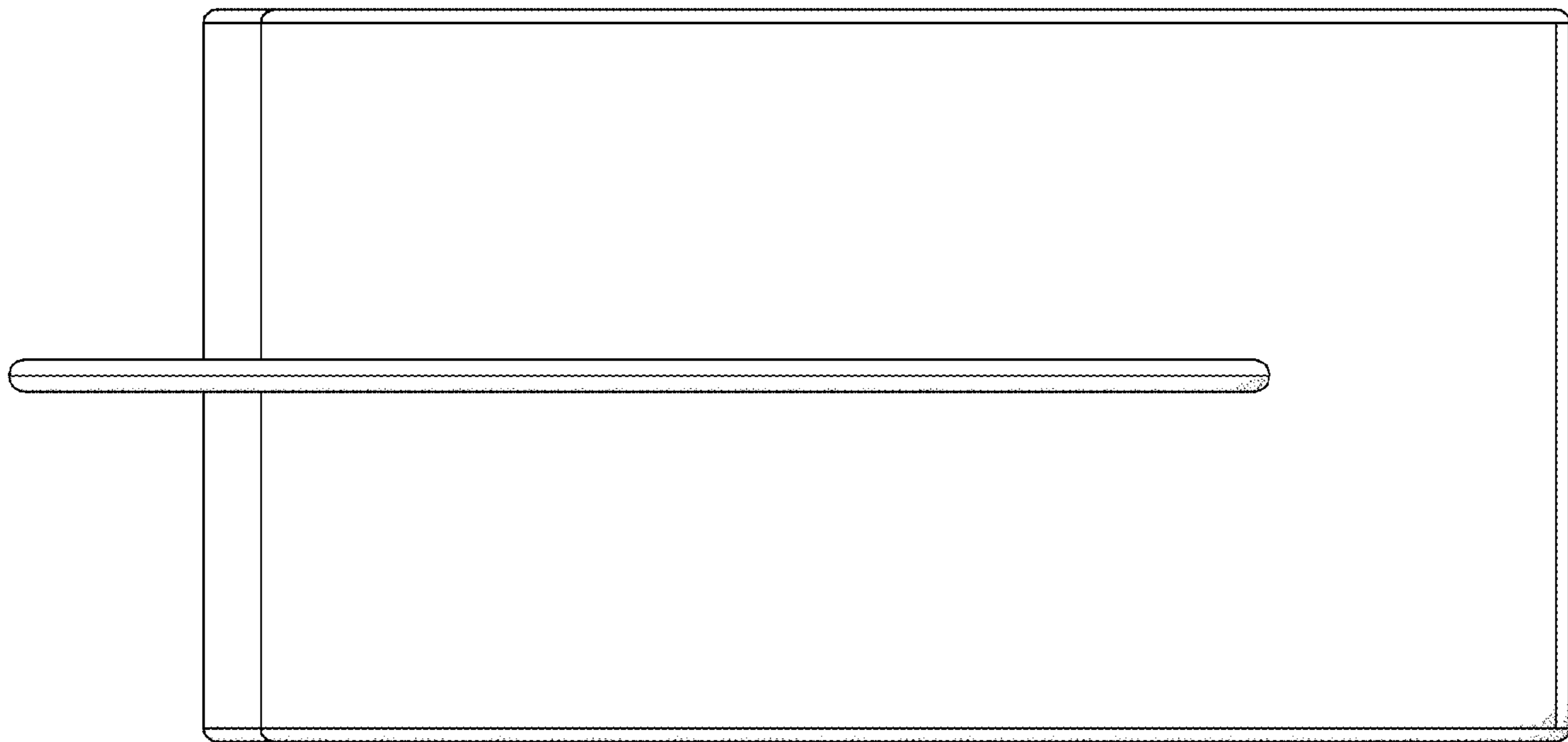


FIG. 10

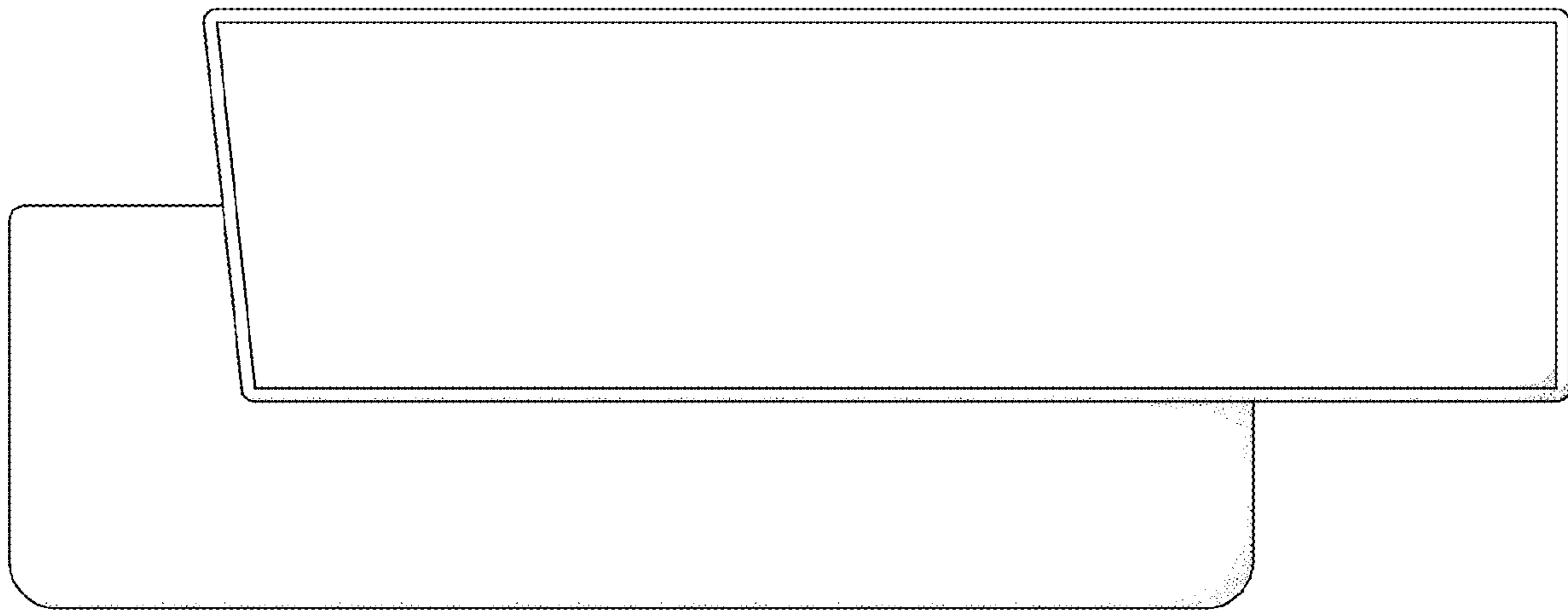


FIG. 11

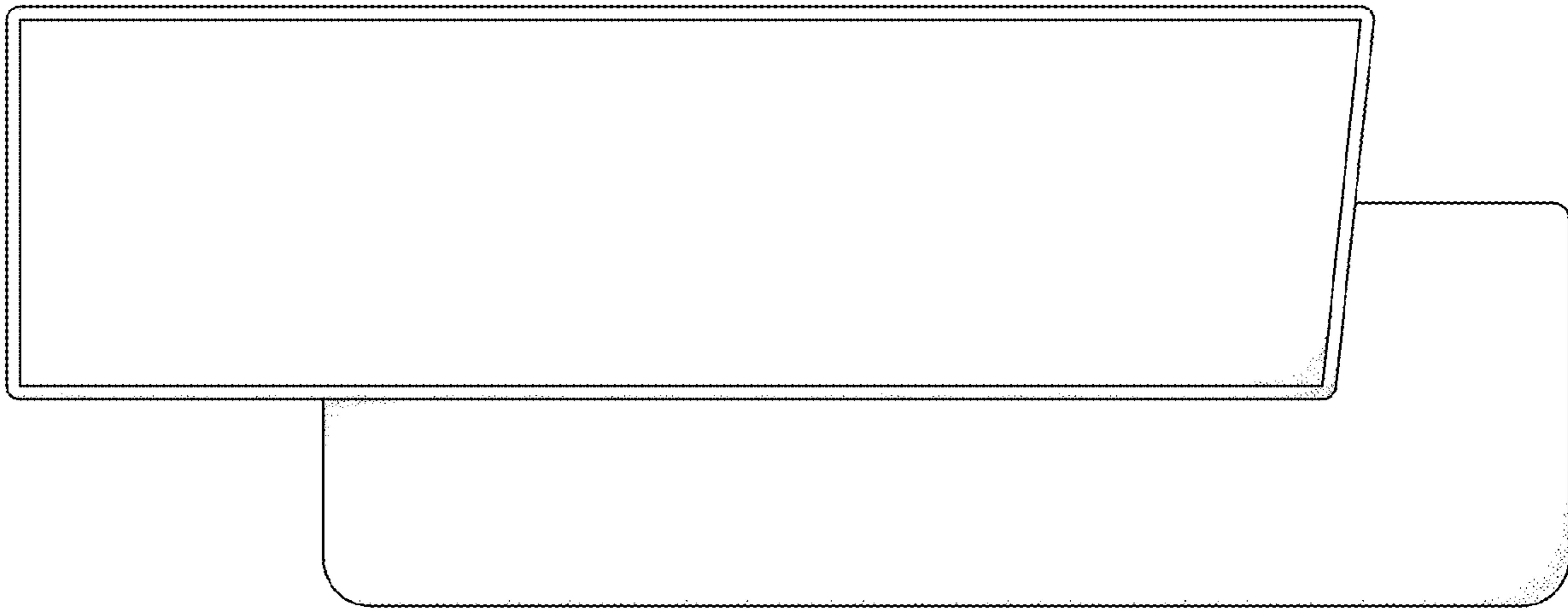


FIG. 12

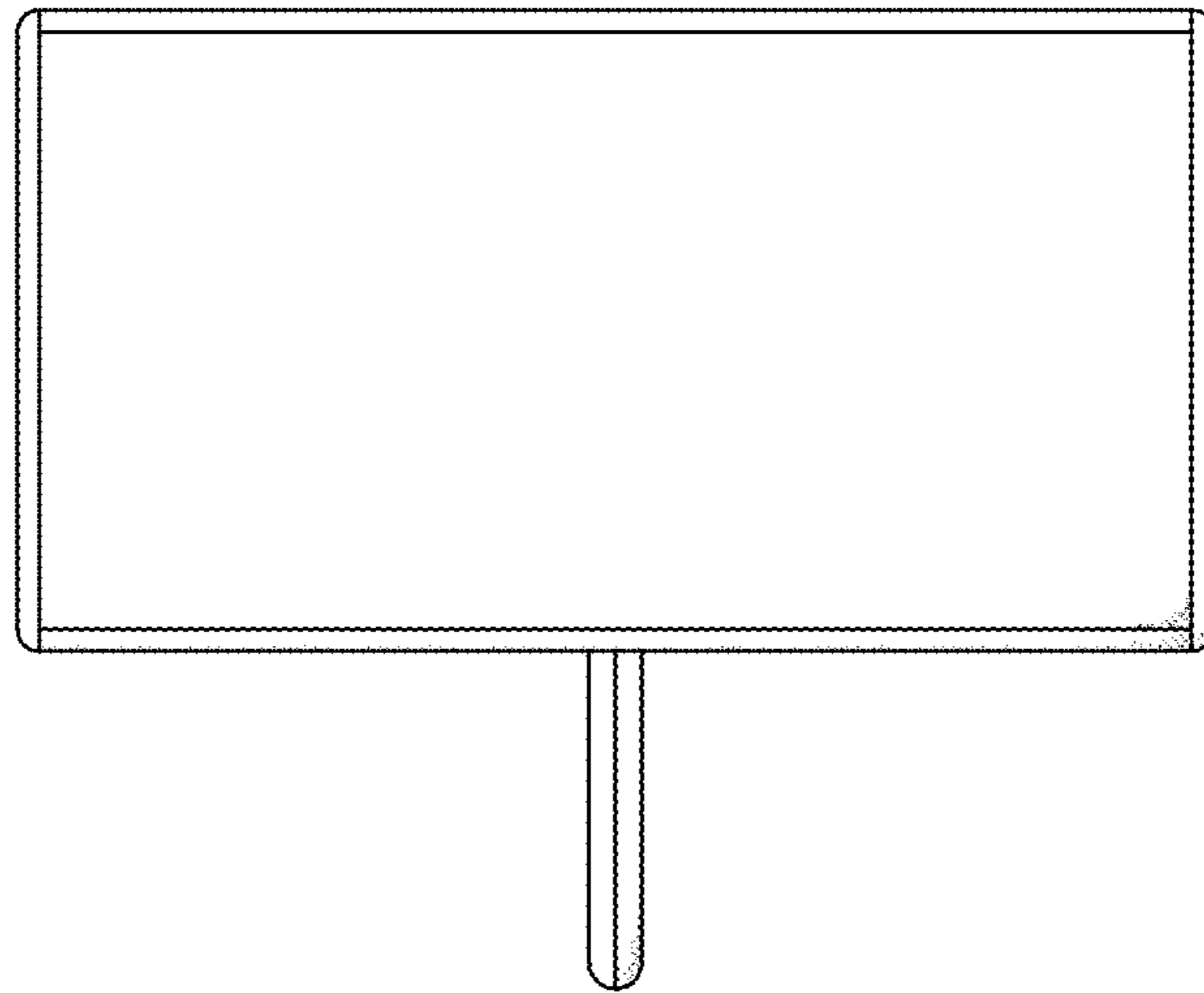


FIG. 13

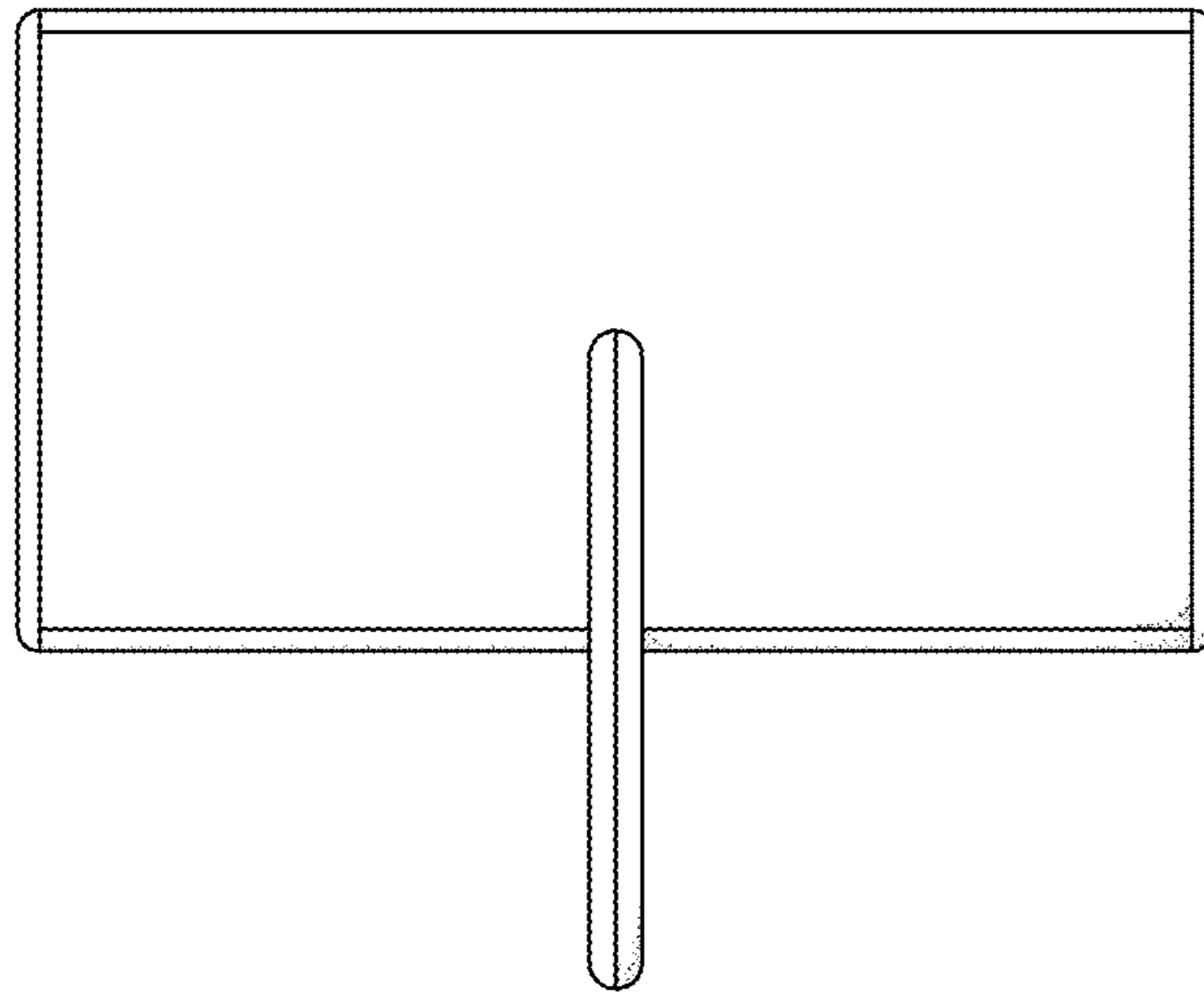


FIG. 14