



US00D985297S

(12) **United States Design Patent** (10) **Patent No.:** **US D985,297 S**  
**Wienczek** (45) **Date of Patent:** **\*\* May 9, 2023**

(54) **STOOL**  
(71) Applicant: **Williams-Sonoma, Inc.**, San Francisco, CA (US)

D884,379 S 5/2020 Killinger  
D903,362 S 12/2020 Jones  
D920,693 S \* 6/2021 Urquiola ..... D6/360  
D929,146 S \* 8/2021 Wienczek ..... D6/380

(72) Inventor: **Colin Wienczek**, Brooklyn, NY (US)  
(73) Assignee: **Williams-Sonoma, Inc.**, San Francisco, CA (US)

**OTHER PUBLICATIONS**

Allie Coastal Light Brown Oak Wood Woven Cane Beige Performance Counter Stool, kathykuohome.com, Retrieved Date: Mar. 11, 2023, p. 2, from [https://www.kathykuohome.com/Product/Detail/95315-Allie-Coastal-Light-Brown-Oak-Wood-Woven-Cane-Beige-Performance-Counter-Stool?gclid=EAIaIQobChMlBLMuKHV\\_QIVDNfCh21dQW8EAQYCCABEglURfD\\_BwE](https://www.kathykuohome.com/Product/Detail/95315-Allie-Coastal-Light-Brown-Oak-Wood-Woven-Cane-Beige-Performance-Counter-Stool?gclid=EAIaIQobChMlBLMuKHV_QIVDNfCh21dQW8EAQYCCABEglURfD_BwE) (Year: 2023).\*

(\*\*) Term: **15 Years**

\* cited by examiner

(21) Appl. No.: **29/745,188**

(22) Filed: **Aug. 4, 2020**

*Primary Examiner* — Mimoso De

(51) **LOC (14) Cl.** ..... **06-01**

(74) *Attorney, Agent, or Firm* — Cook Alex Ltd.

(52) **U.S. Cl.**  
USPC ..... **D6/360**

(57) **CLAIM**

(58) **Field of Classification Search**  
USPC ..... D6/334-336, 360, 371, 372, 373, 374, D6/379, 380, 716, 716.1, 716.2, 716.3, D6/716.4  
CPC .. A47C 4/02; A47C 4/03; A47C 4/028; A47C 7/002; A47C 7/18; A47C 7/24; A47C 7/40; A47C 7/50; A47C 9/00; A47C 9/007  
See application file for complete search history.

The ornamental design for a stool, as shown and described.

**DESCRIPTION**

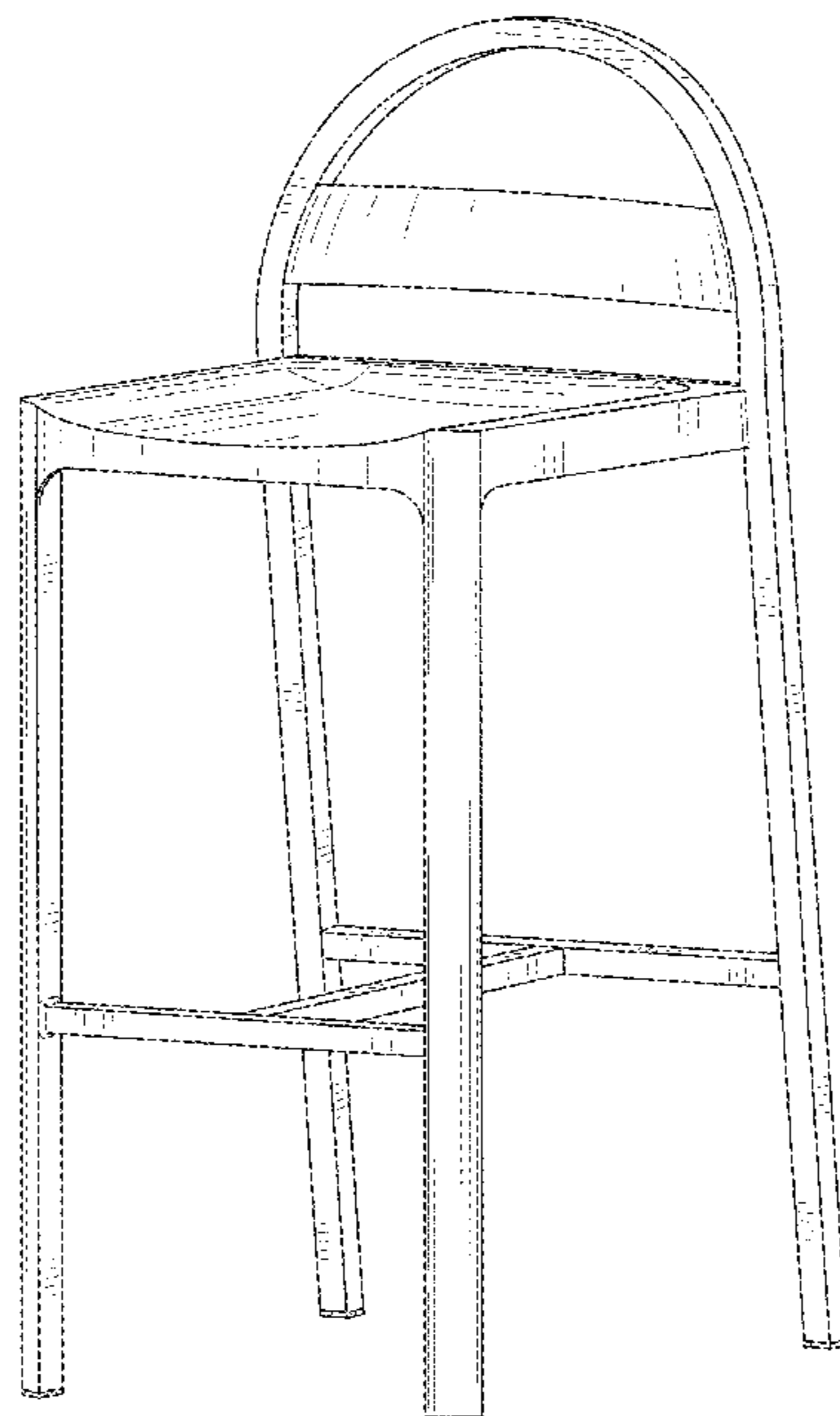
(56) **References Cited**

**U.S. PATENT DOCUMENTS**

D357,592 S \* 4/1995 Kellen ..... D6/374  
D576,817 S \* 9/2008 Sienkowski ..... D6/374  
D588,826 S \* 3/2009 Ricchio ..... D6/360  
D785,962 S \* 5/2017 Muller ..... D6/374  
D786,574 S \* 5/2017 Galiotto ..... D6/360  
D821,768 S 7/2018 Jones  
D831,368 S 10/2018 Jones  
D859,022 S 9/2019 Jones  
D863,805 S 10/2019 Jones

FIG. 1 is a perspective view of a first embodiment of the stool;  
FIG. 2 is a front elevational view thereof;  
FIG. 3 is a rear elevational view thereof;  
FIG. 4 is a left side elevational view thereof, the opposite side of which is a mirror image;  
FIG. 5 is a top plan view thereof;  
FIG. 6 is a bottom plan view thereof;  
FIG. 7 is a perspective view of a second embodiment of the stool;  
FIG. 8 is a front elevational view thereof;  
FIG. 9 is a rear elevational view thereof;  
FIG. 10 is a left side elevational view thereof, the opposite side of which is a mirror image;  
FIG. 11 is a top plan view thereof; and,  
FIG. 12 is a bottom plan view thereof.

**1 Claim, 10 Drawing Sheets**



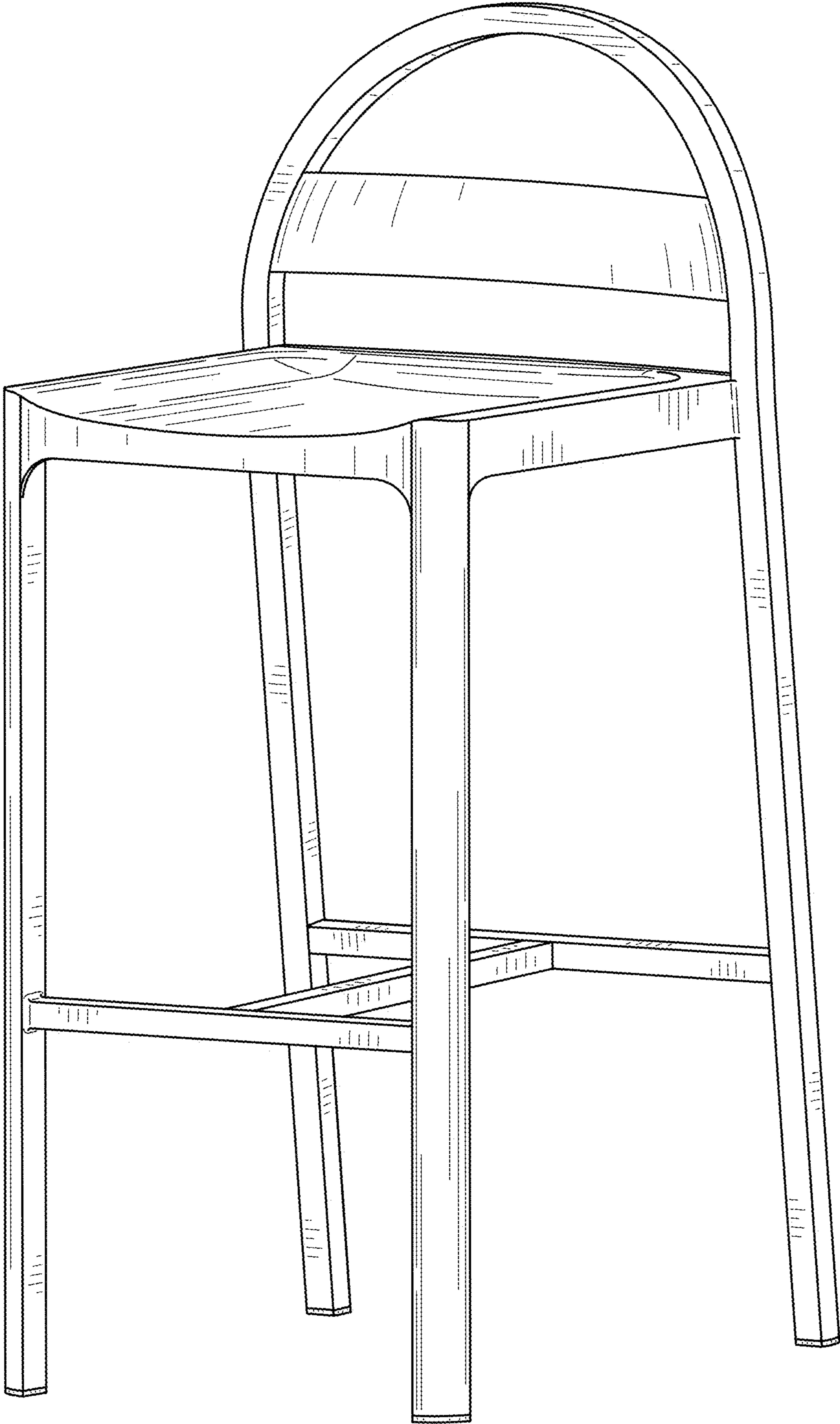


FIG. 1

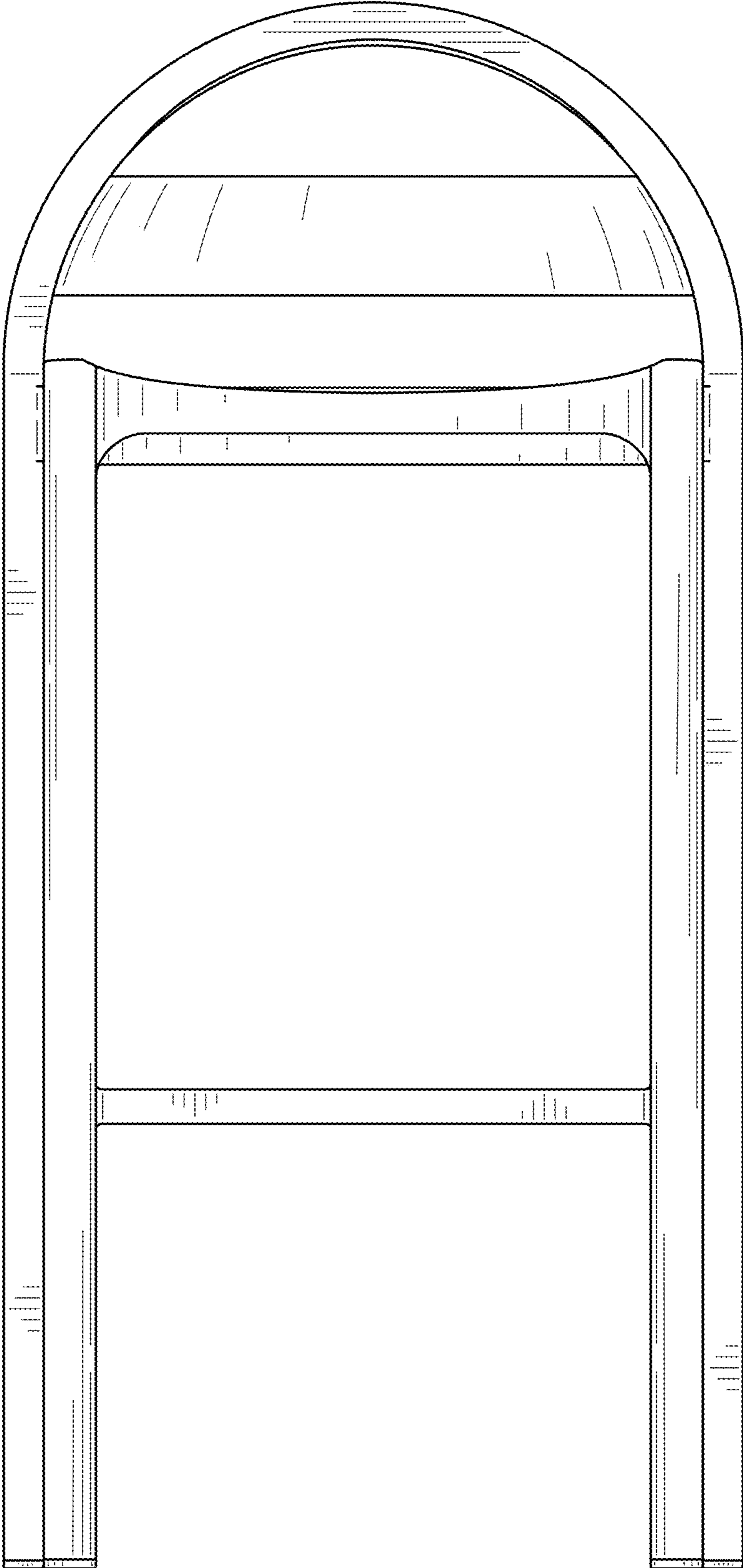


FIG. 2

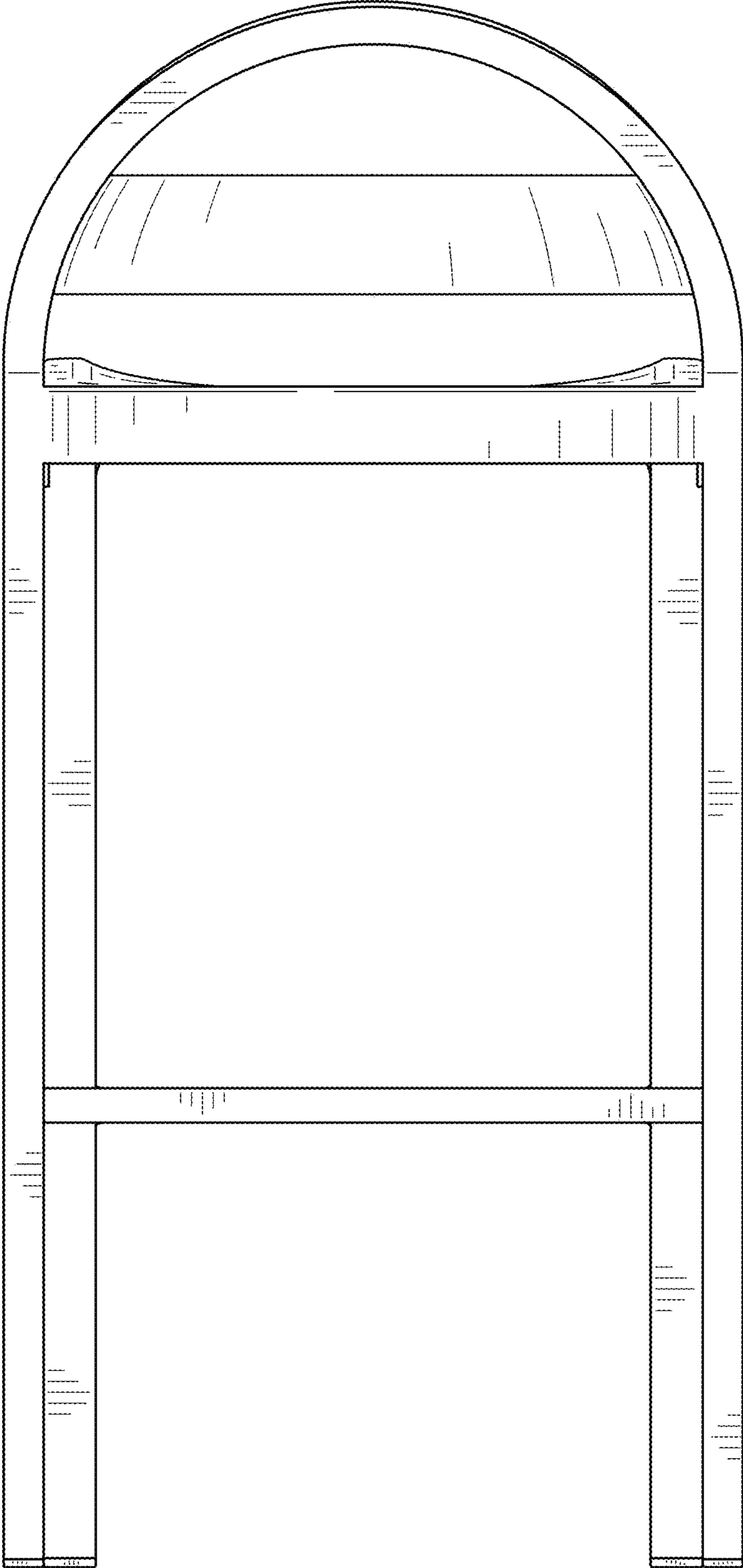


FIG. 3

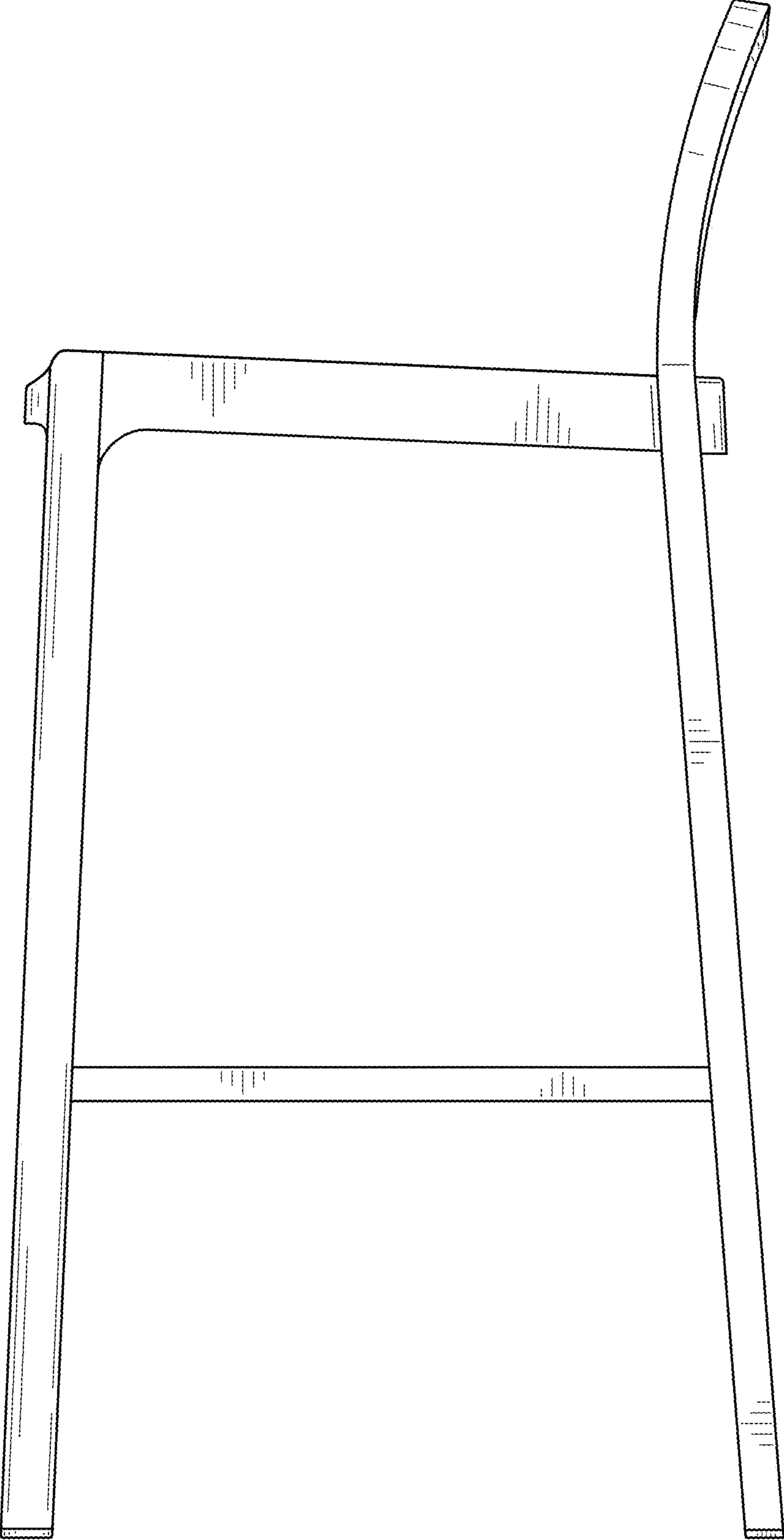


FIG. 4



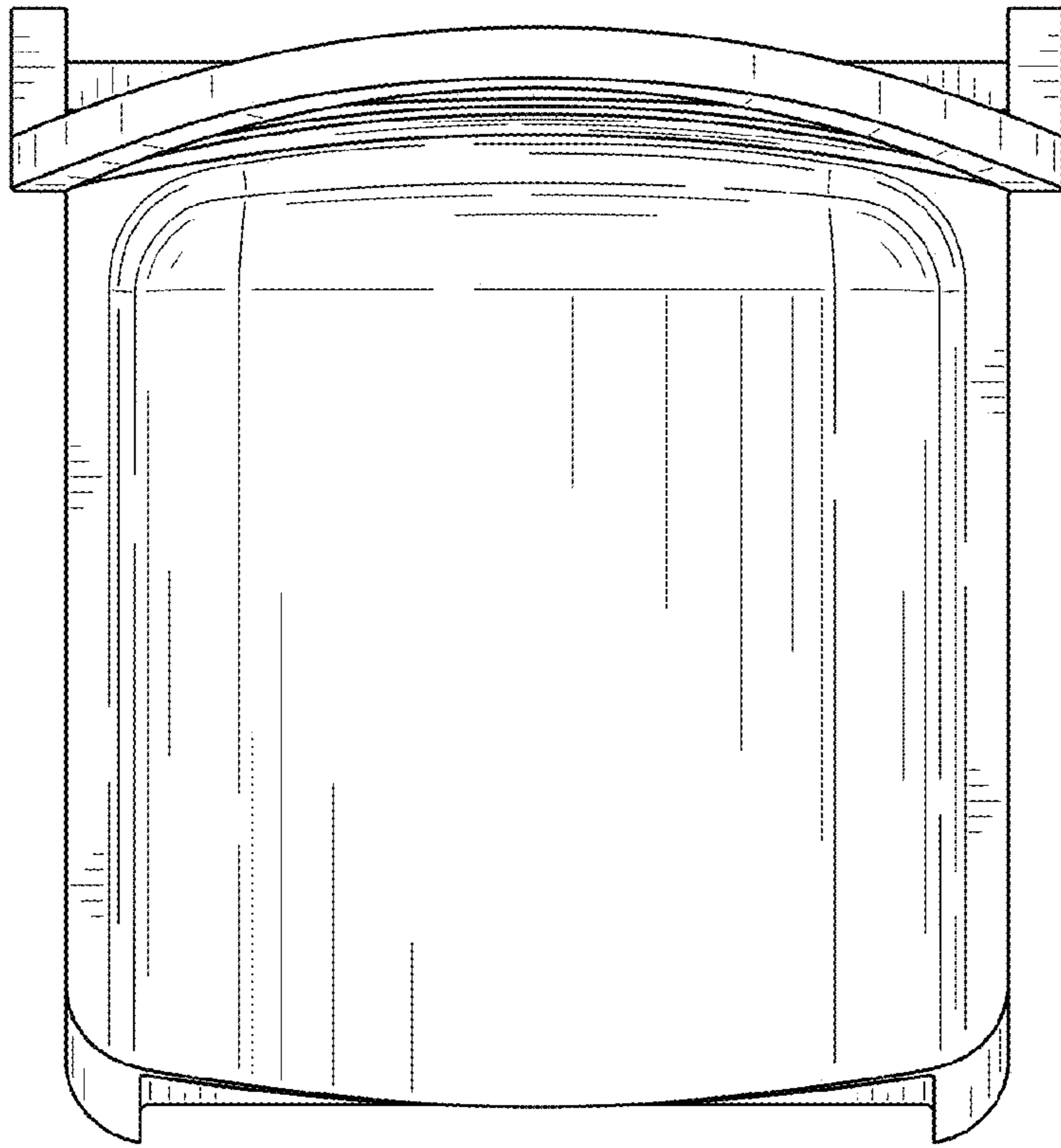


FIG. 5

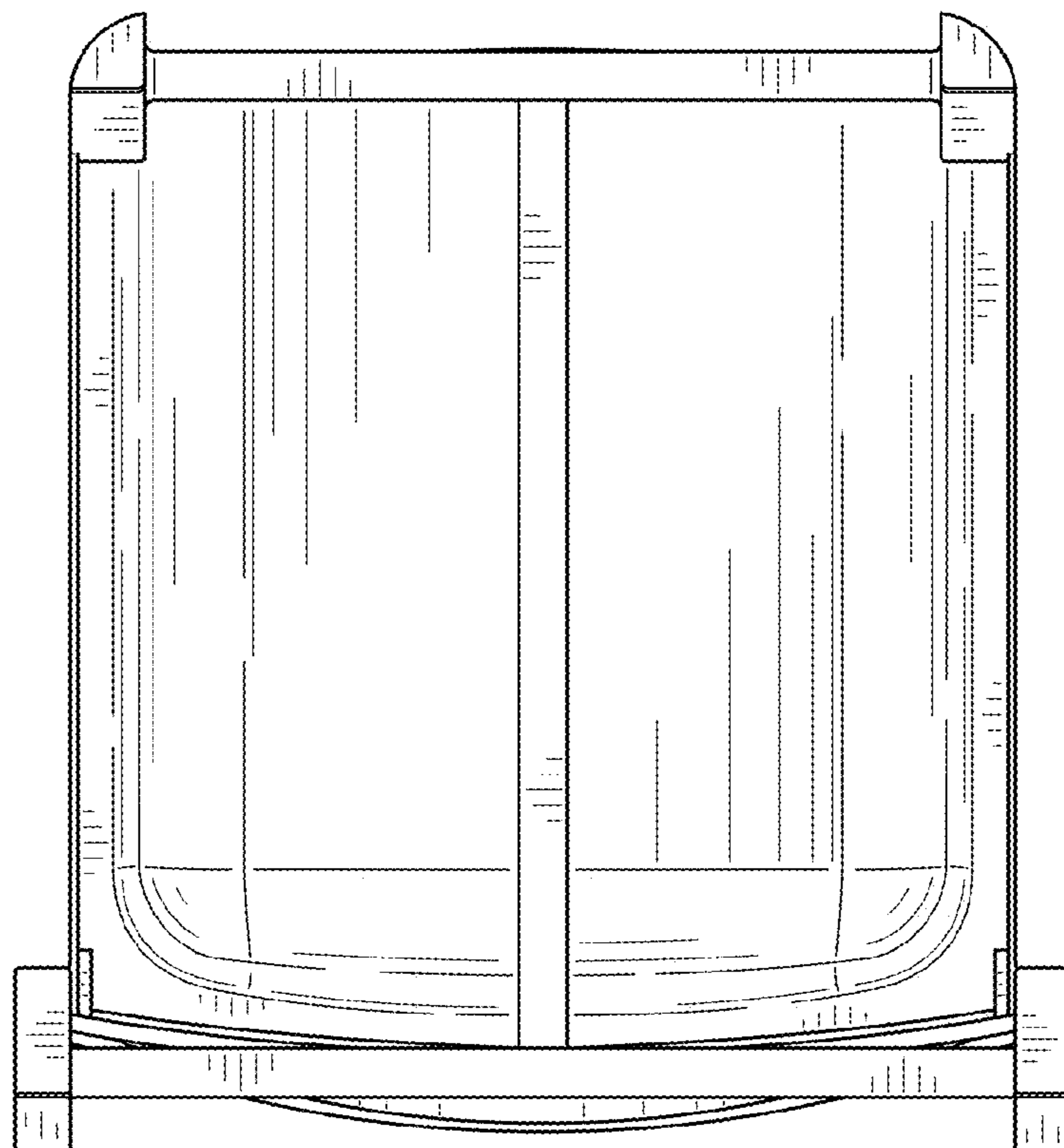


FIG. 6

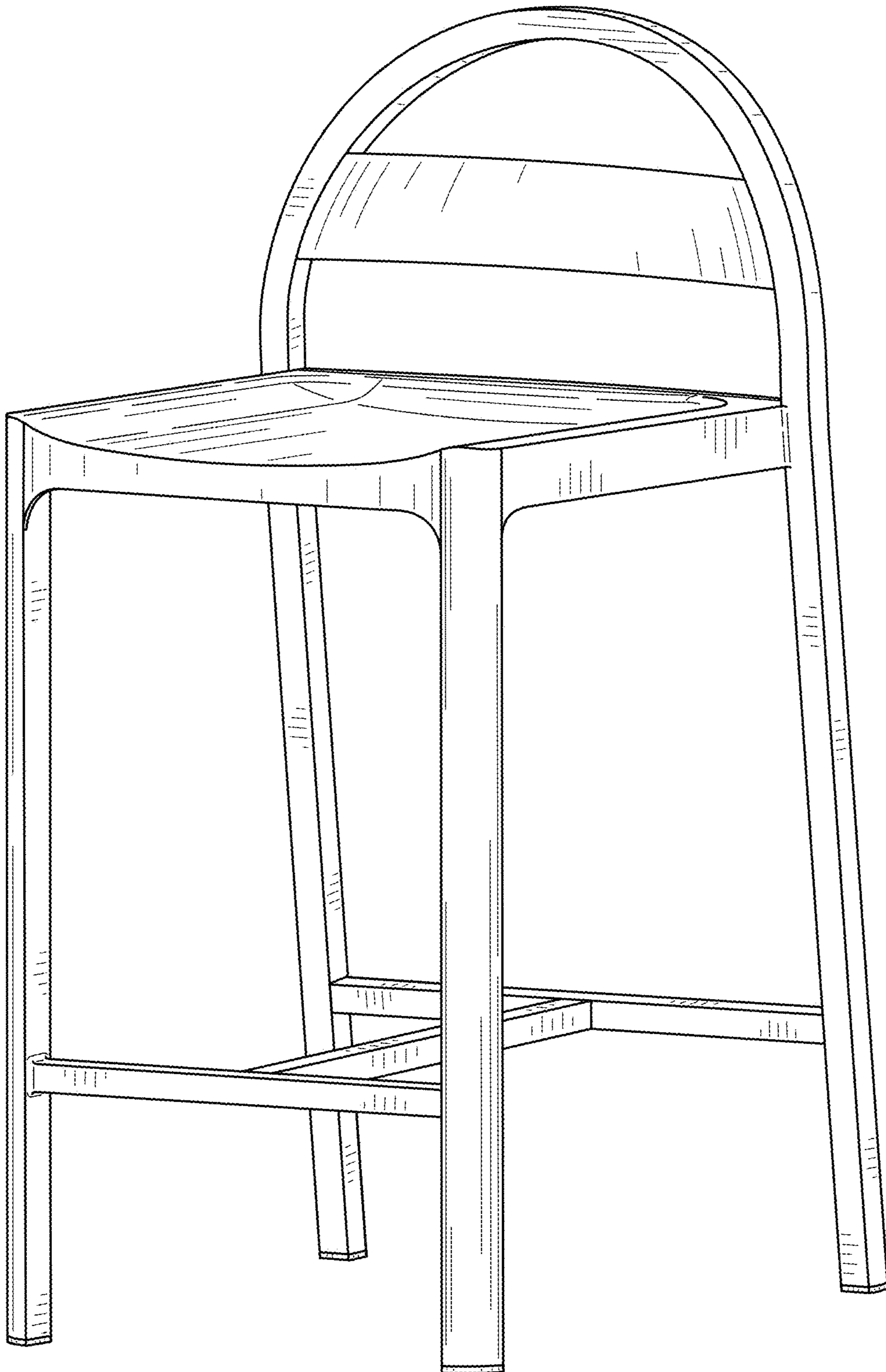


FIG. 7

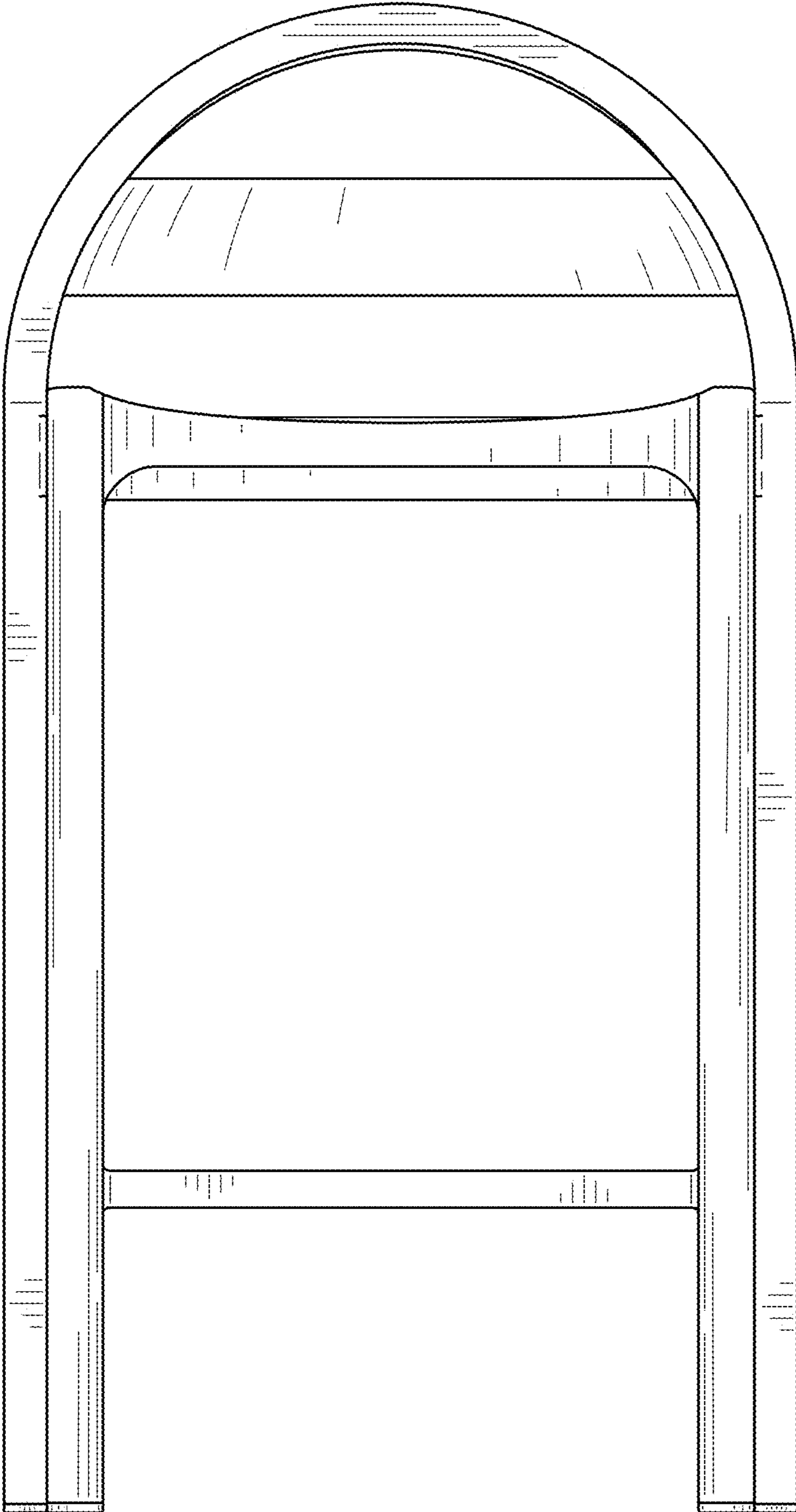


FIG. 8



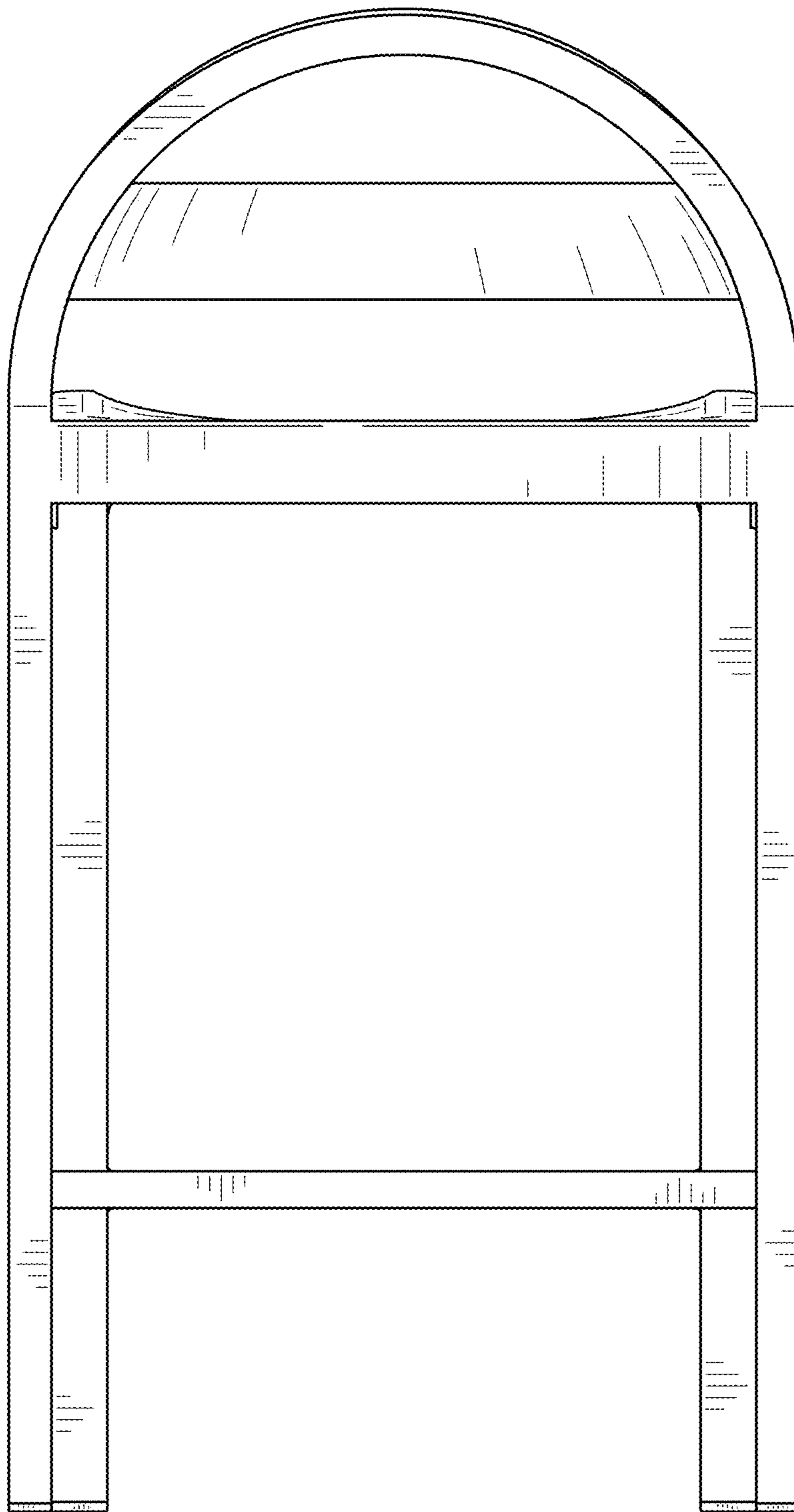


FIG. 9

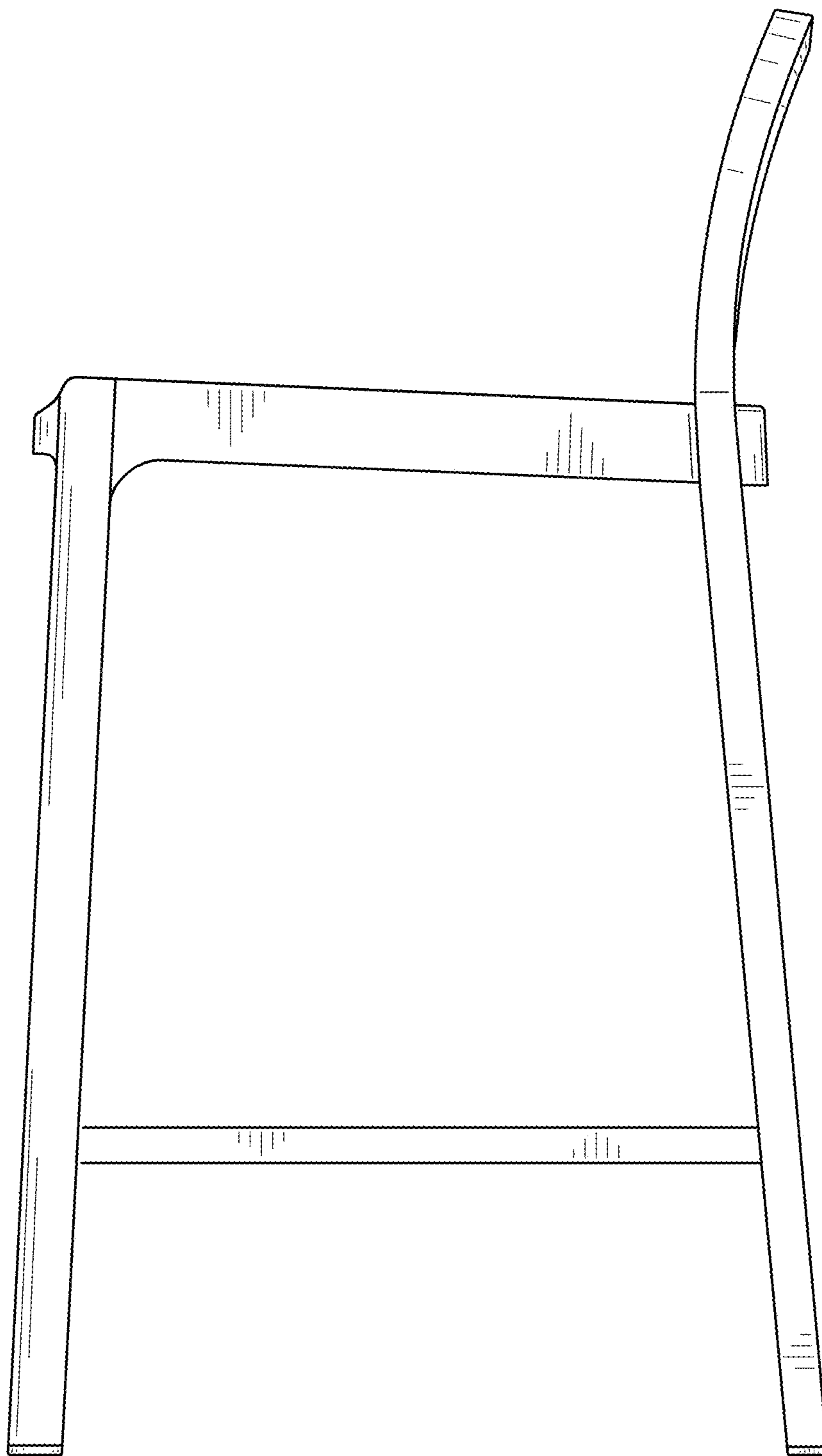


FIG. 10

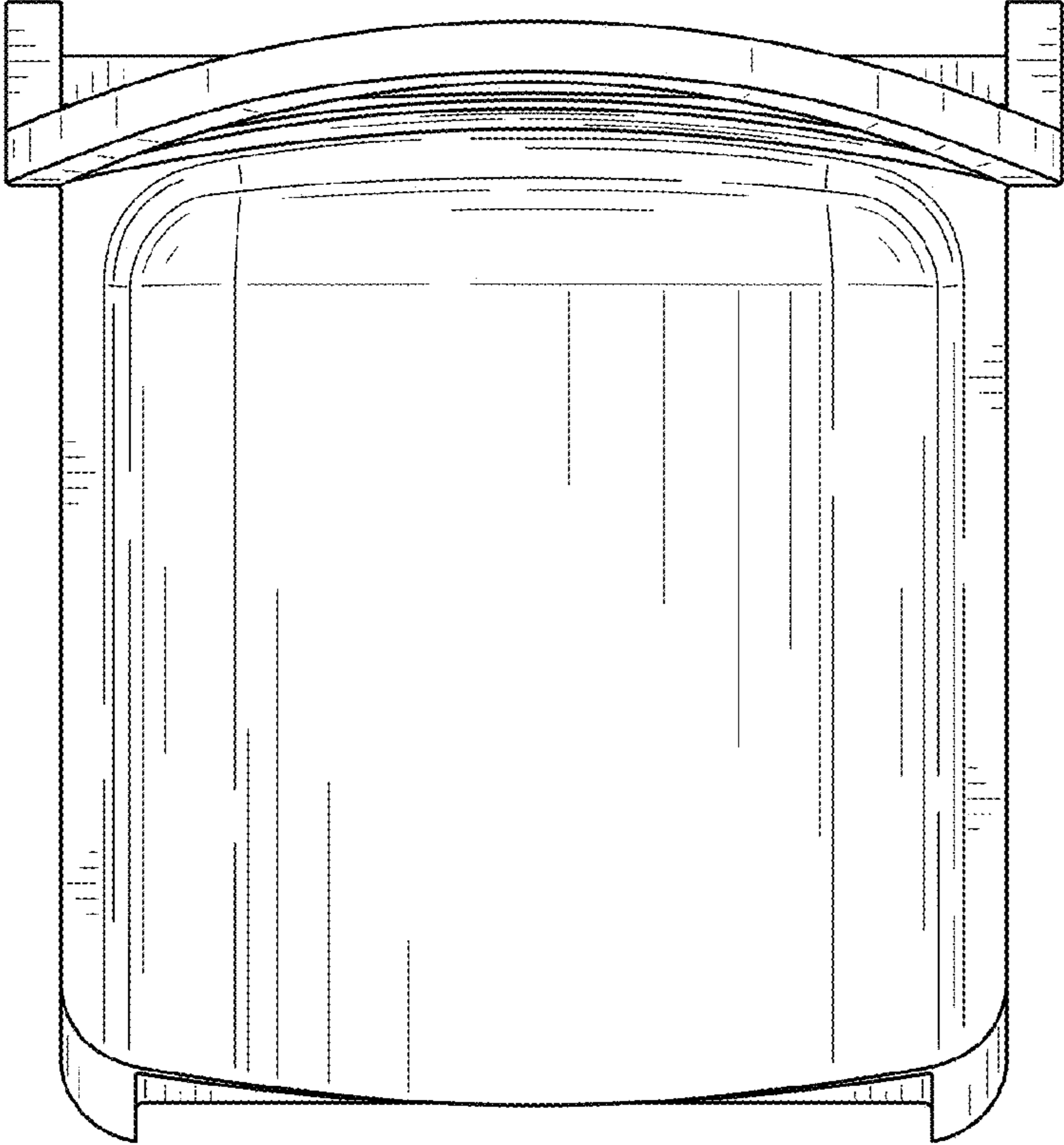


FIG. 11

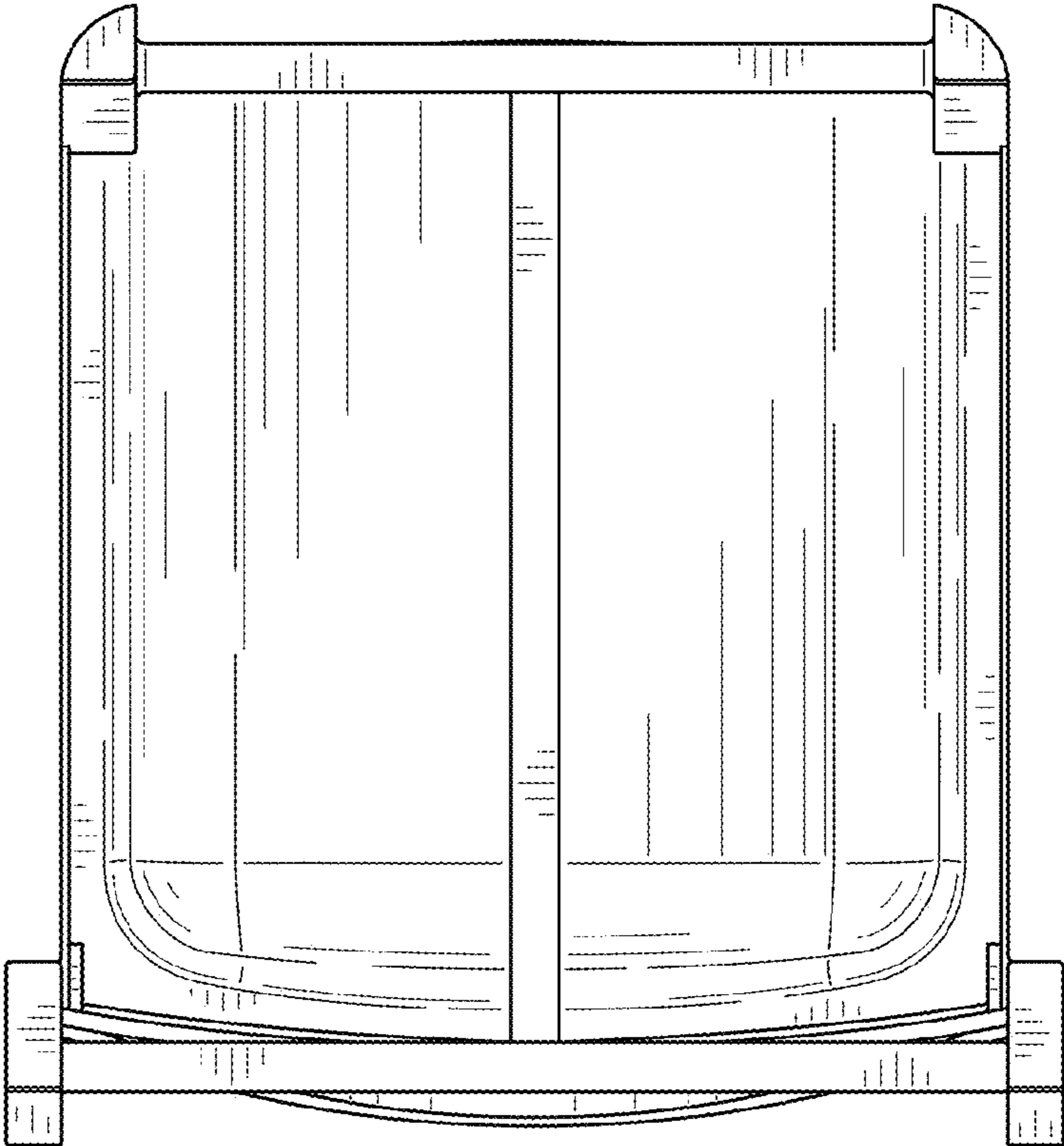


FIG. 12