



US00D985296S

(12) **United States Design Patent** (10) **Patent No.:** **US D985,296 S**  
**Difrancescantonio et al.** (45) **Date of Patent:** **\*\* May 9, 2023**

(54) **VEHICLE SEAT**

(56) **References Cited**

(71) Applicant: **JAGUAR LAND ROVER LIMITED,**  
Coventry (GB)

U.S. PATENT DOCUMENTS

(72) Inventors: **Andrea Difrancescantonio,** Coventry  
(GB); **Toby Nunn,** Coventry (GB)

70,517 A *	11/1867	Burt .....	A47C 3/12 297/411.41
D334,293 S	3/1993	Bennett	
D686,002 S *	7/2013	Martin .....	D6/334
D862,101 S	10/2019	Song	
D905,980 S *	12/2020	Sethapun .....	D6/356
D906,703 S *	1/2021	Kasparian .....	D6/336
D936,981 S *	11/2021	Kentley-Klay .....	D6/356
D937,591 S	12/2021	Wu	
D938,175 S *	12/2021	Wu .....	D6/356
D963,366 S *	9/2022	Kim .....	D6/356
D964,761 S *	9/2022	Difrancescantonio .....	D6/356

(73) Assignee: **JAGUAR LAND ROVER LIMITED,**  
Coventry (GB)

(\*\*) Term: **15 Years**

(21) Appl. No.: **29/851,083**

(22) Filed: **Aug. 25, 2022**

**Related U.S. Application Data**

(62) Division of application No. 29/720,017, filed on Jan. 9, 2020, now Pat. No. Des. 964,761.

**Foreign Application Priority Data**

Jul. 11, 2019 (EP) ..... 006623096

(51) **LOC (14) Cl.** ..... **06-01**

(52) **U.S. Cl.**  
USPC ..... **D6/356**

(58) **Field of Classification Search**  
USPC ..... D6/334-336, 356, 364, 365, 366, 372,  
D6/373, 374, 375, 716, 716.1, 716.2,  
D6/716.4, 716.5  
CPC .. A47C 3/12; A47C 3/18; A47C 4/028; A47C  
7/18; A47C 7/24; A47C 7/38; A47C 7/40;  
B60N 2/68; B60N 2/682; B60N 2/686;  
B60N 2/688; B60N 2/80; B60N 2/803;  
B60N 2/806

See application file for complete search history.

\* cited by examiner

*Primary Examiner* — Mimosa De

(74) *Attorney, Agent, or Firm* — Reising Ethington P.C.

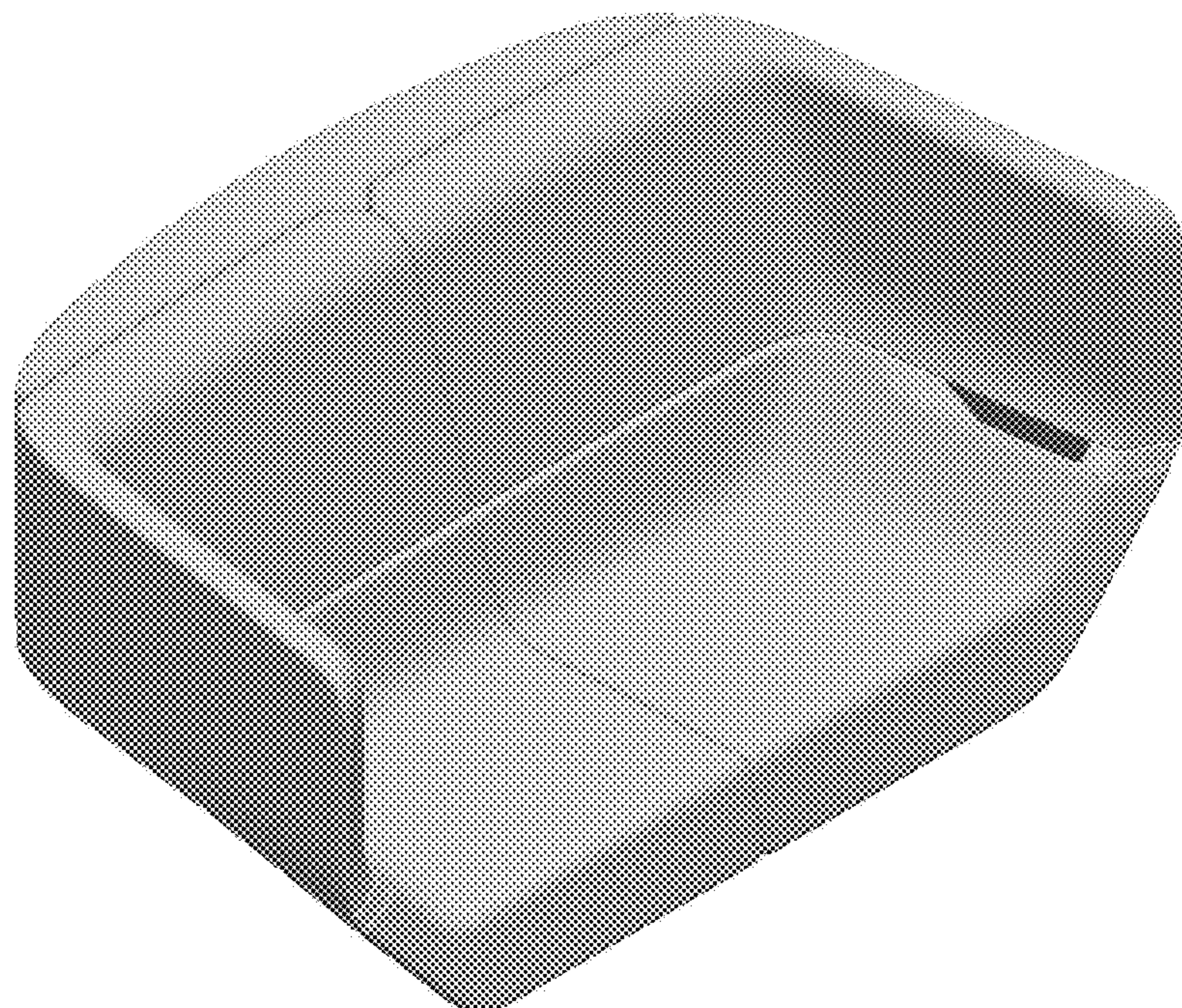
(57) **CLAIM**

The ornamental design for a vehicle seat, as shown and described.

**DESCRIPTION**

FIG. 1 is a front left elevated perspective view of a vehicle seat, showing our new design;  
FIG. 2 is a front left perspective view thereof;  
FIG. 3 is a rear right elevated perspective view thereof;  
FIG. 4 is a rear right perspective view thereof;  
FIG. 5 is a front view thereof;  
FIG. 6 is a rear view thereof;  
FIG. 7 is a left side view thereof;  
FIG. 8 is a right side view thereof;  
FIG. 9 is a top view thereof; and,  
FIG. 10 is a bottom view thereof.

**1 Claim, 10 Drawing Sheets**





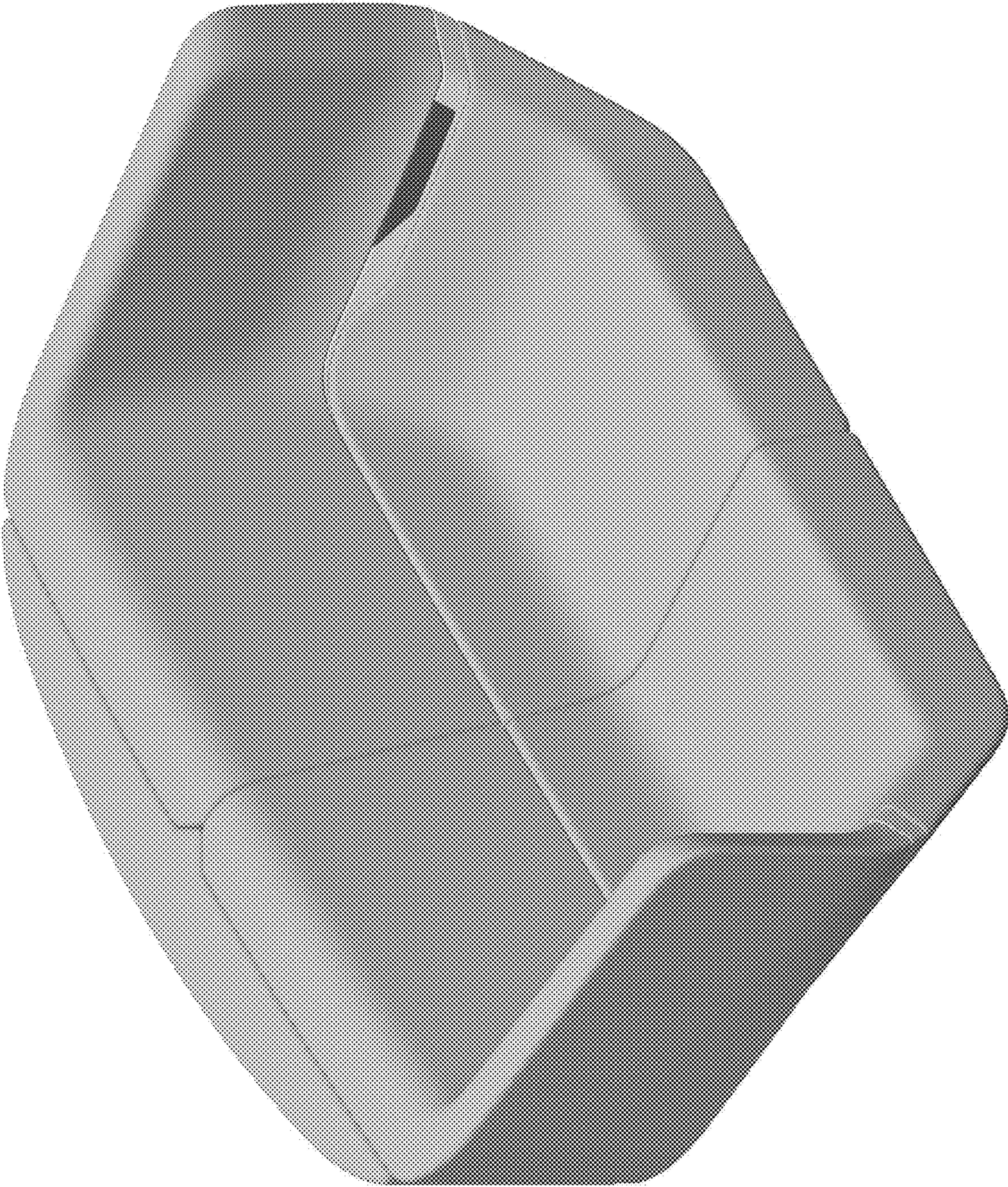


FIG. 1



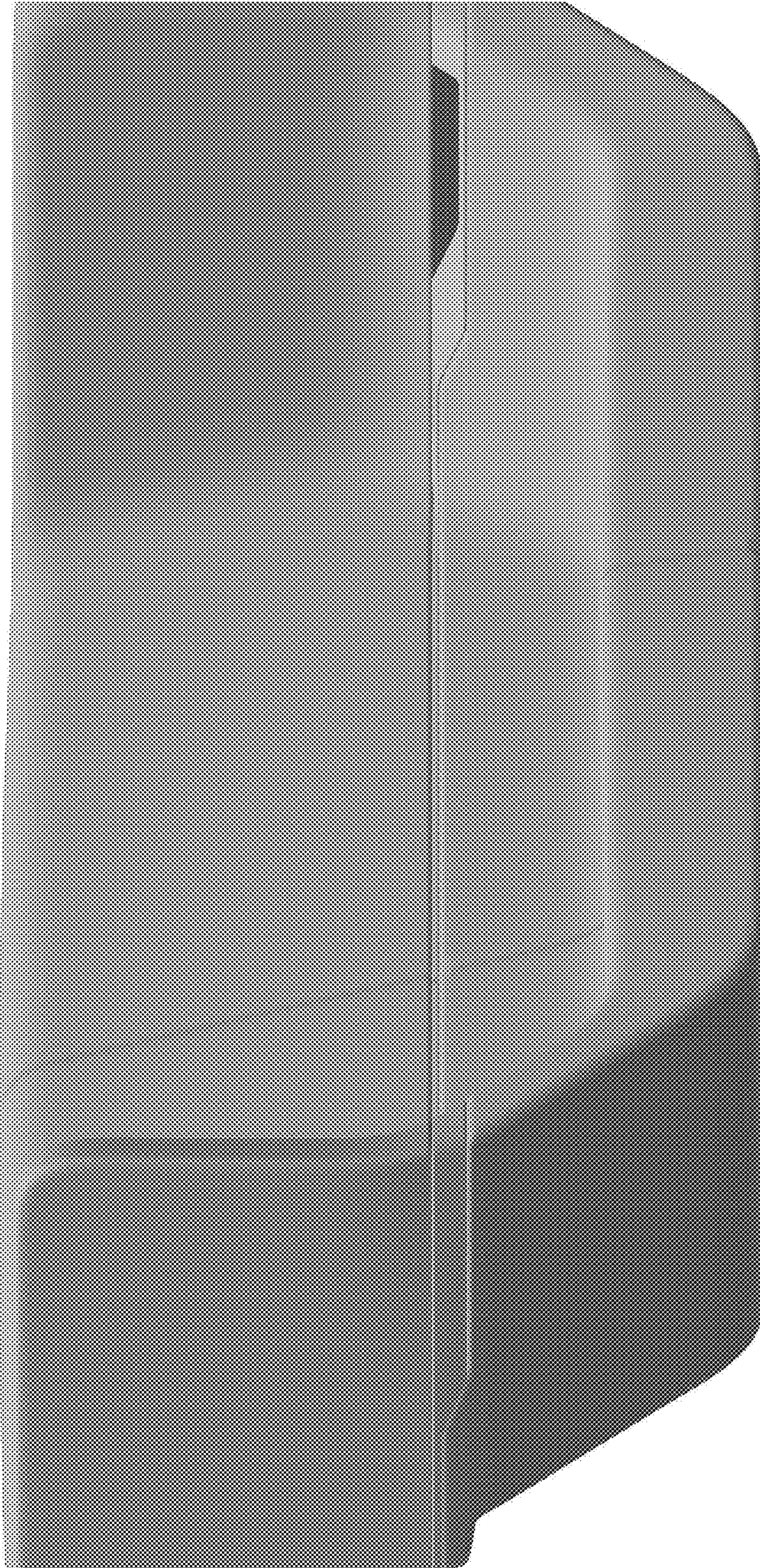


FIG. 2



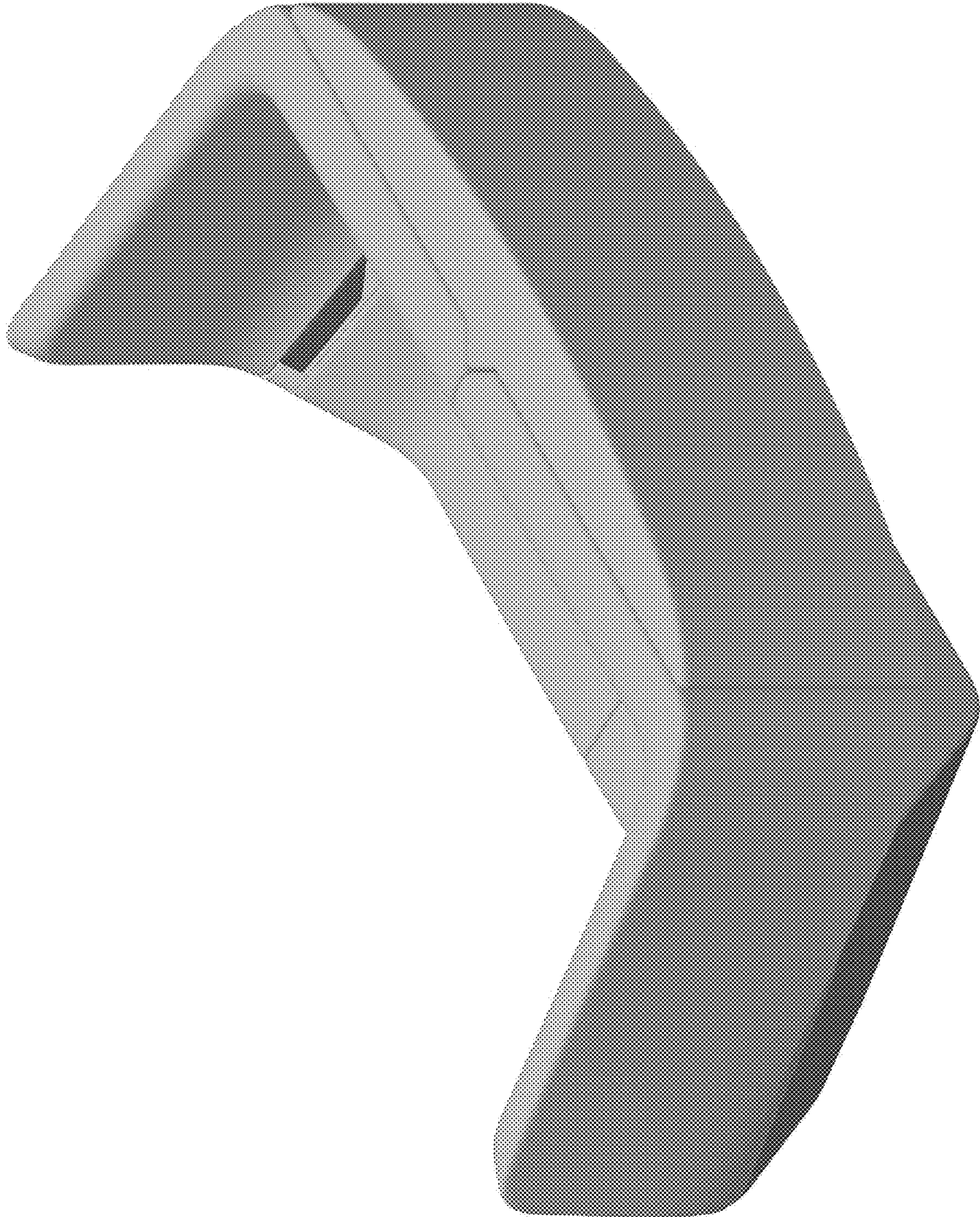


FIG. 3



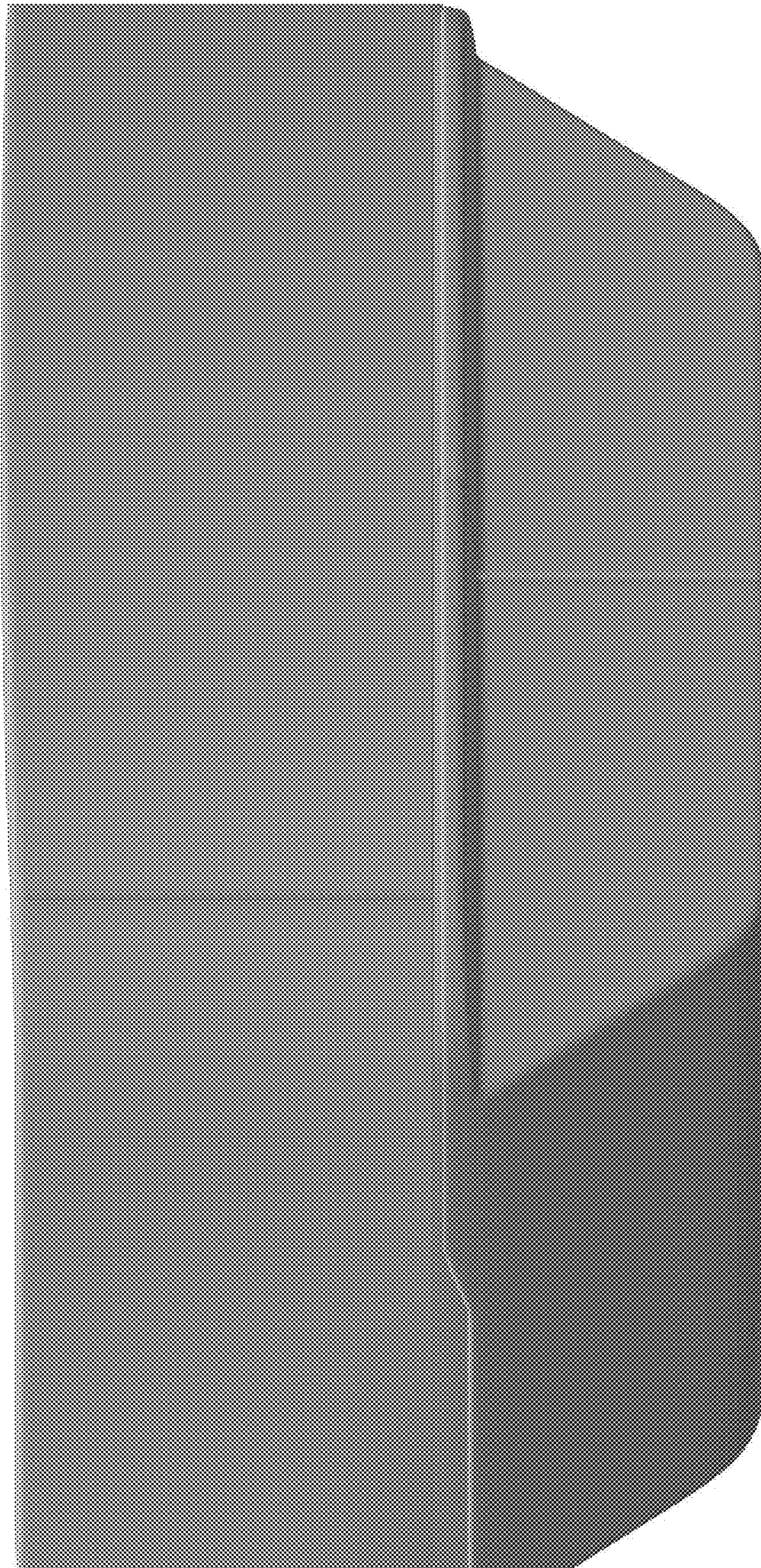


FIG. 4



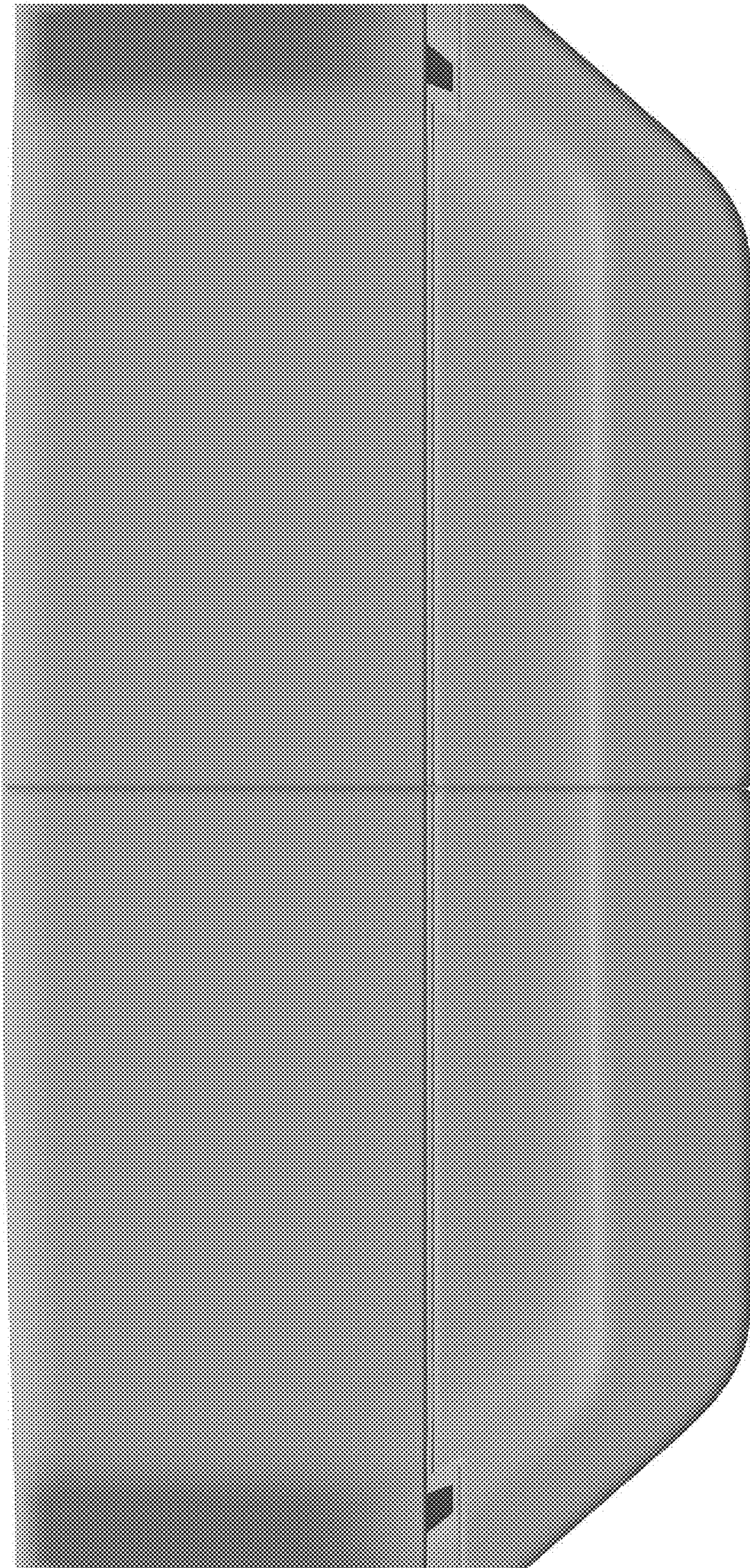


FIG. 5



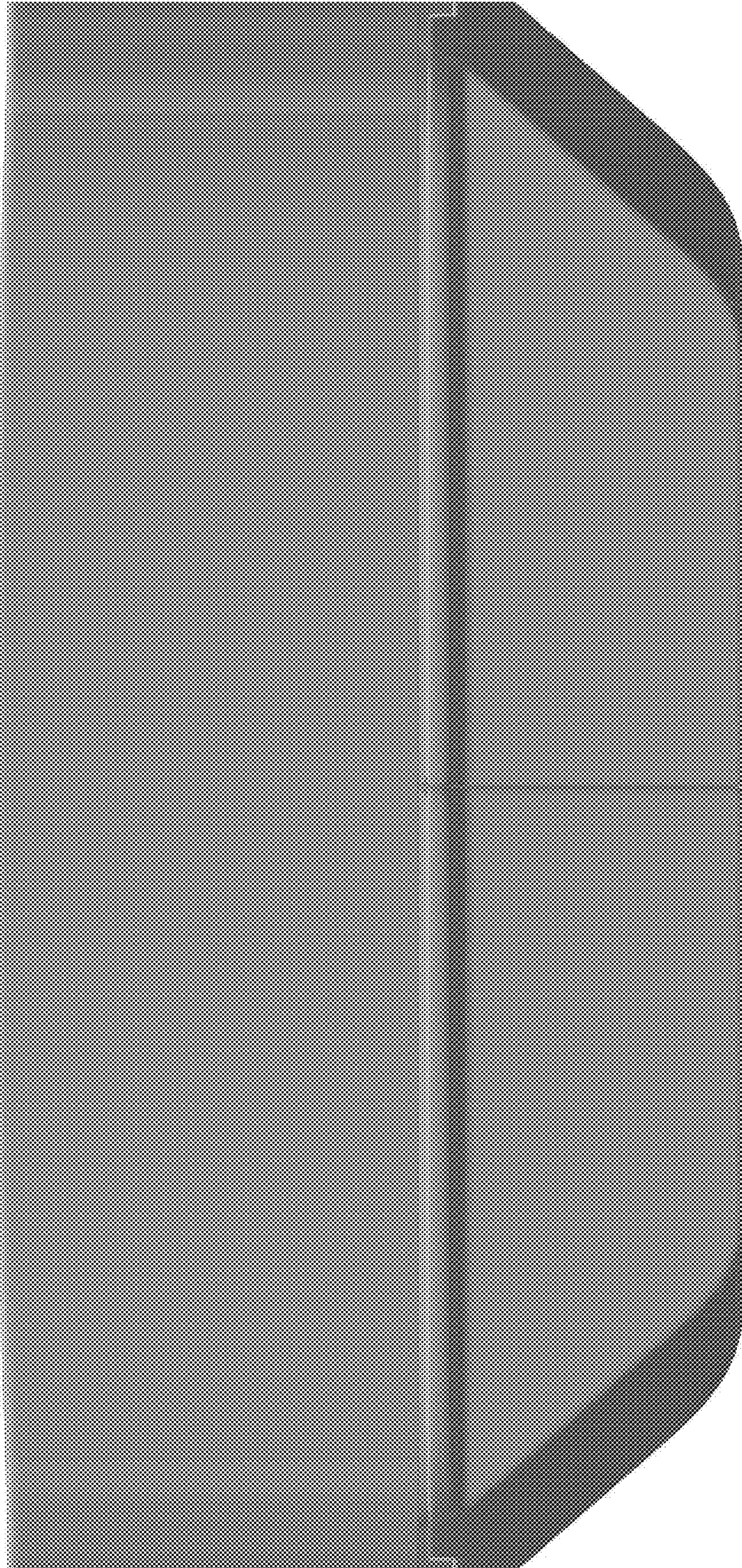


FIG. 6





FIG. 7



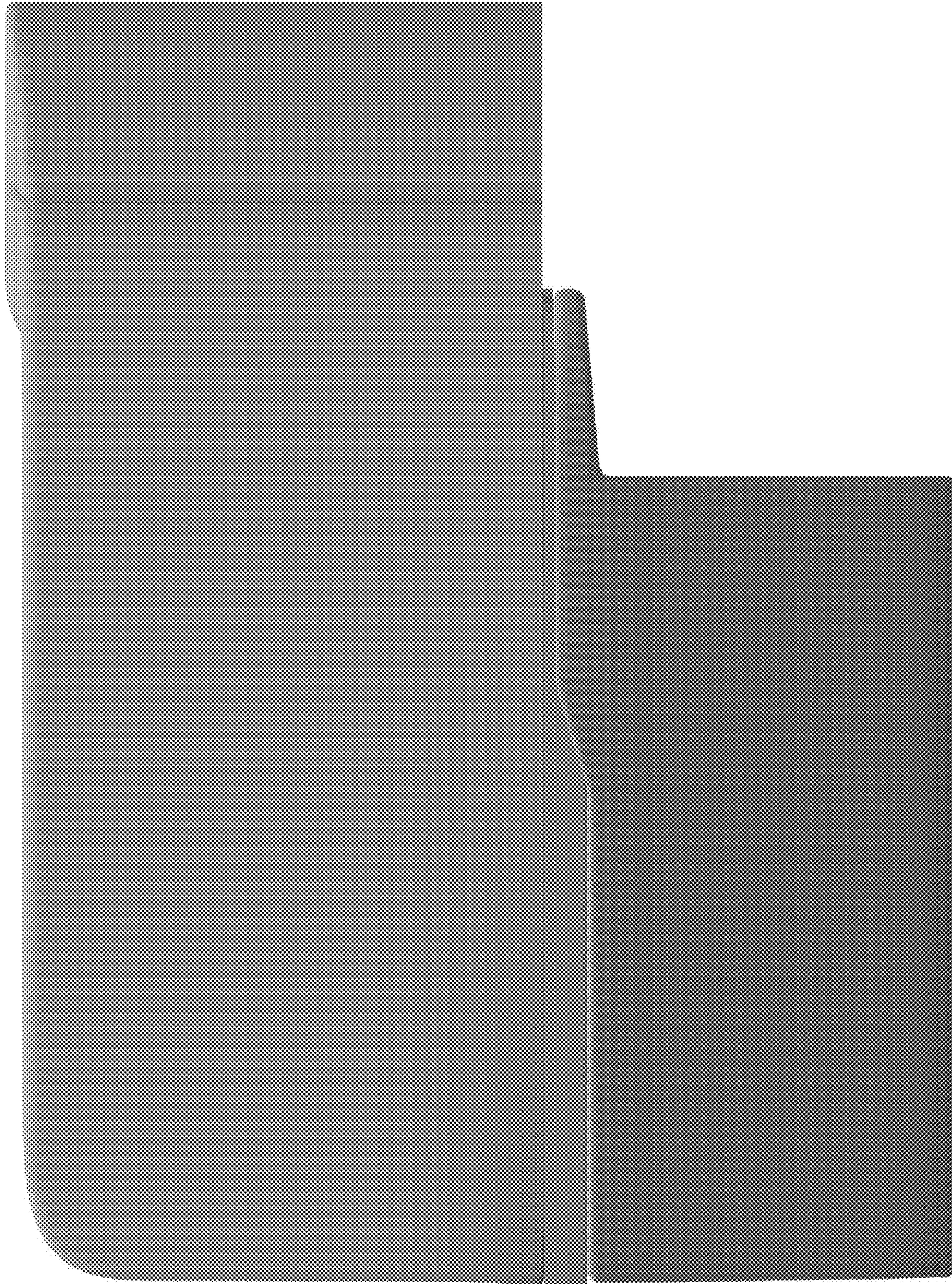


FIG. 8



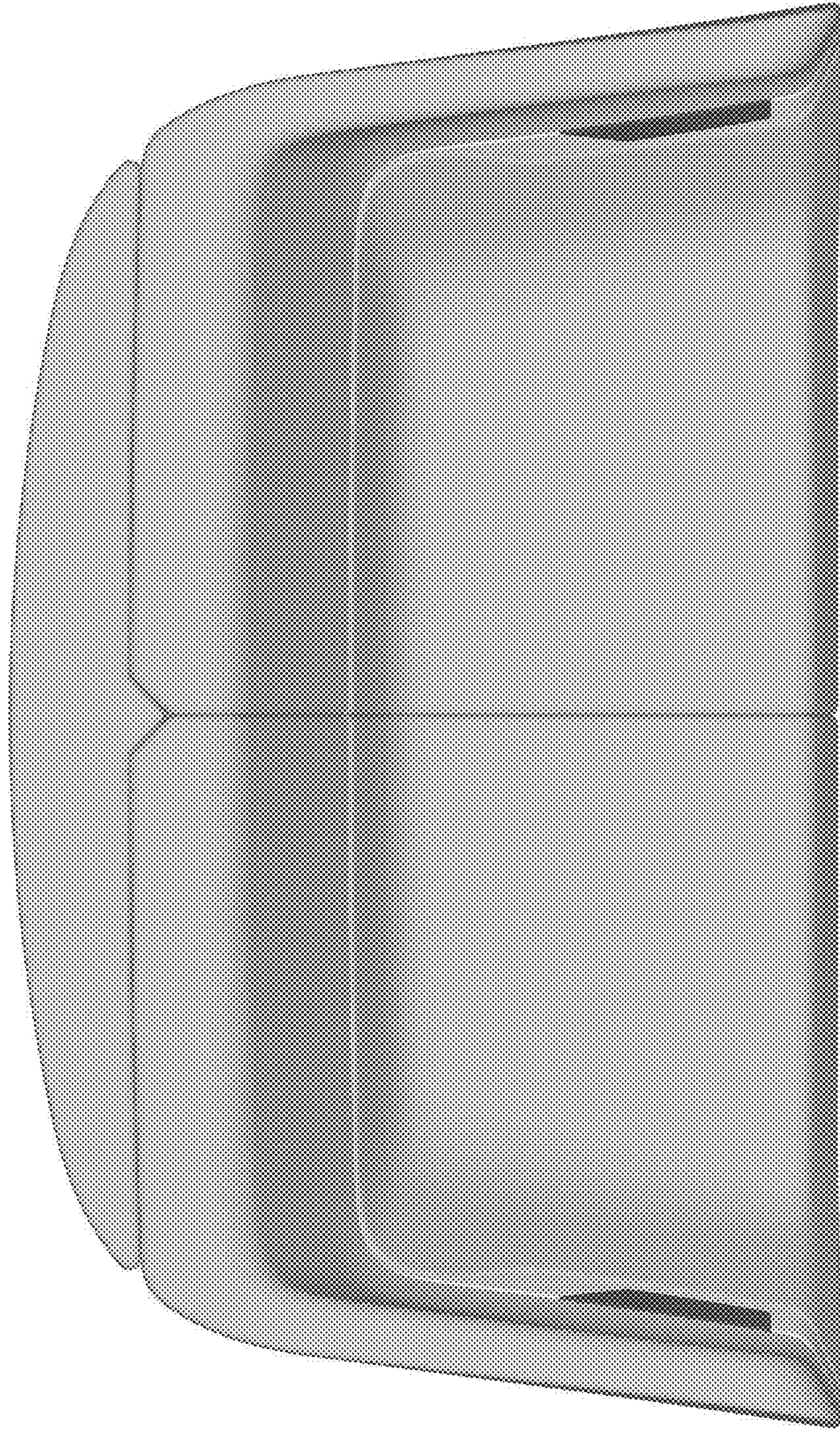


FIG. 9



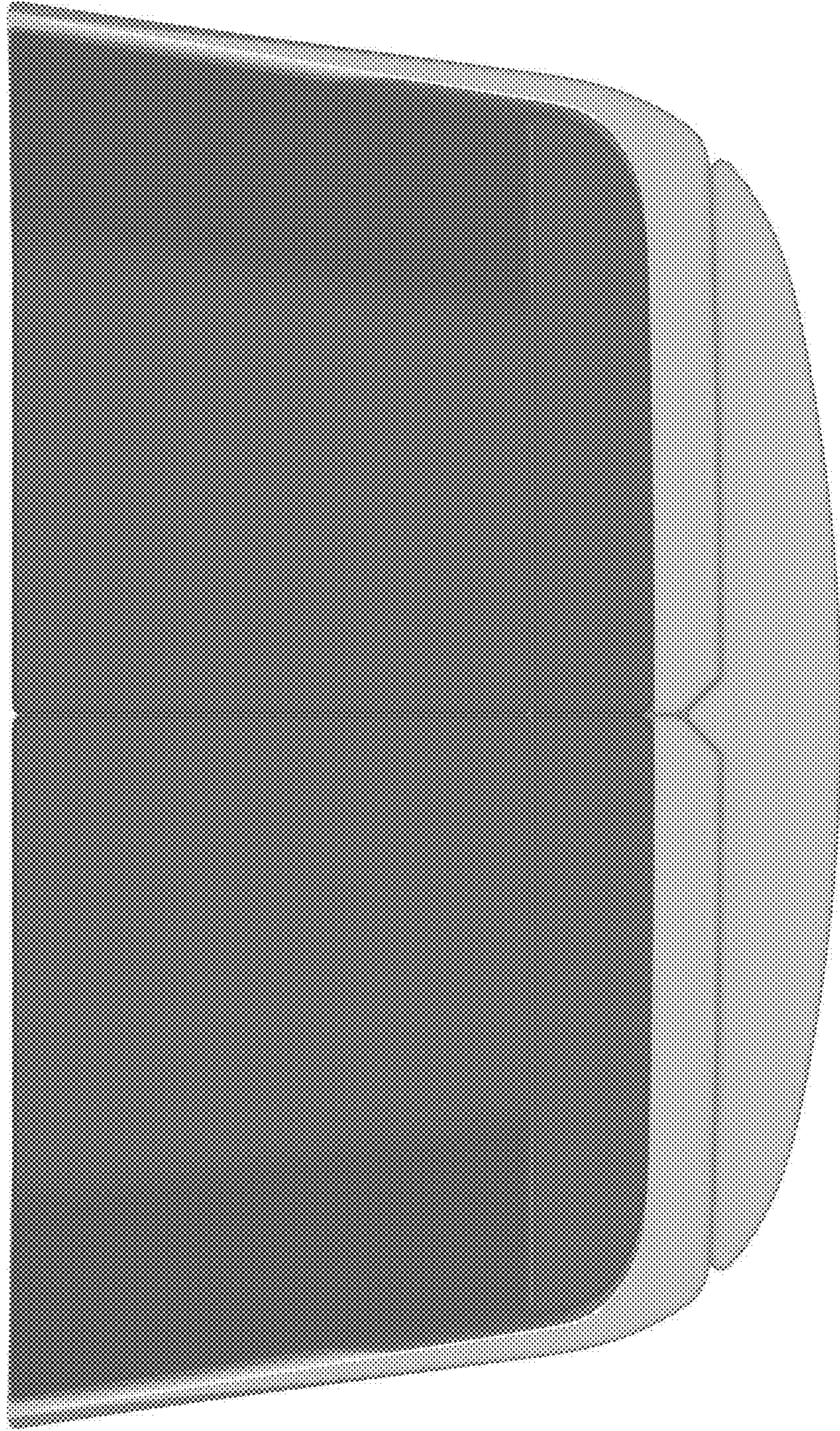


FIG. 10