



US00D985295S

(12) **United States Design Patent**
Liu et al.

(10) **Patent No.:** **US D985,295 S**
(45) **Date of Patent:** **** May 9, 2023**

(54) **STORAGE STOOL**

(71) Applicant: **Shenzhen Yihuaxing Technology Co., Ltd.**, Shenzhen (CN)

(72) Inventors: **Yuming Liu**, Lianyuan (CN); **Xuyang He**, Shuangfeng (CN)

(**) Term: **15 Years**

(21) Appl. No.: **29/856,208**

(22) Filed: **Oct. 12, 2022**

(30) **Foreign Application Priority Data**

Sep. 30, 2022 (CN) 202230654524.8

(51) **LOC (14) Cl.** **06-01**

(52) **U.S. Cl.**
USPC **D6/353**; D6/349; D6/336

(58) **Field of Classification Search**
USPC D3/276, 305; D6/335, 336, 349–353;
D9/423; D25/64, 65
CPC A47C 12/00; A47C 12/02; A47C 13/00
See application file for complete search history.

(56) **References Cited**

U.S. PATENT DOCUMENTS

D151,983 S * 12/1948 Guertin D6/349
3,049,724 A * 8/1962 Goodman A47C 17/04
5/36
D259,597 S * 6/1981 Marks A47C 27/10
D6/349
D400,363 S * 11/1998 Lewis D6/349

(Continued)

FOREIGN PATENT DOCUMENTS

GB 6097099 * 8/2020
GB 6237117 * 11/2022

OTHER PUBLICATIONS

Lavish Home Storage Bench, Amazon Product Page. Date of Oldest Review: Mar. 29, 2019, Date Accessed: Dec. 21, 2022. Available on

the Internet URL: <https://www.amazon.com/dp/B07NLS4Y9L> (Year: 2019).*

(Continued)

Primary Examiner — S. Bryan Reinholdt, Jr.

Assistant Examiner — Julia S Folkart

(74) *Attorney, Agent, or Firm* — Rumit Ranjit Kanakia

(57) **CLAIM**

The ornamental design for a storage stool, as shown and described.

DESCRIPTION

FIG. 1 is a first perspective view of a storage stool showing our new design;

FIG. 2 is a second perspective view thereof;

FIG. 3 is a front view thereof;

FIG. 4 is a back view thereof;

FIG. 5 is a left side view thereof;

FIG. 6 is a right side view thereof;

FIG. 7 is a top view thereof;

FIG. 8 is a bottom view thereof;

FIG. 9 is an exploded view of the storage stool in a collapsed state;

FIG. 10 is another exploded view of the storage stool of FIG. 1;

FIG. 11 is another exploded view thereof;

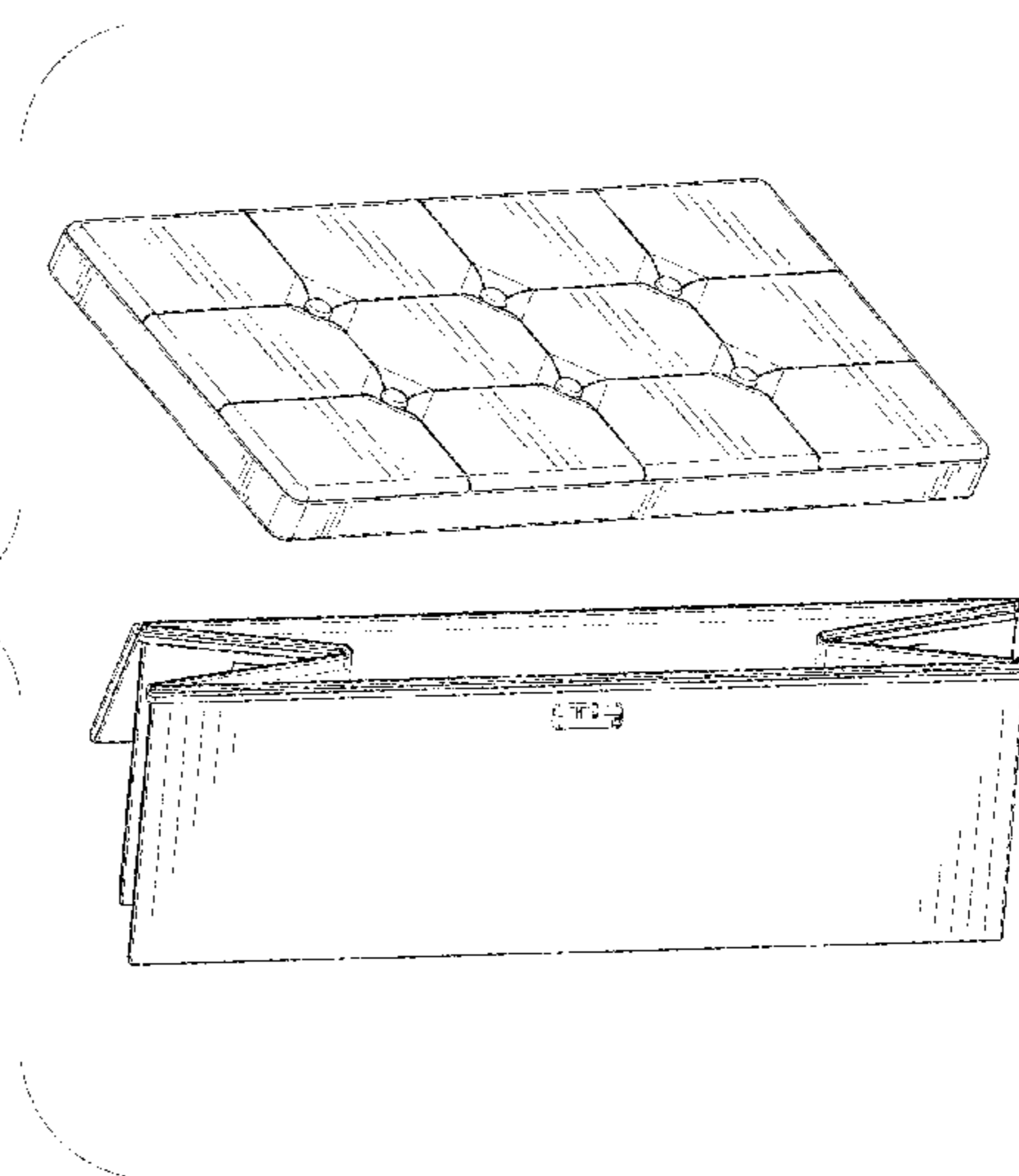
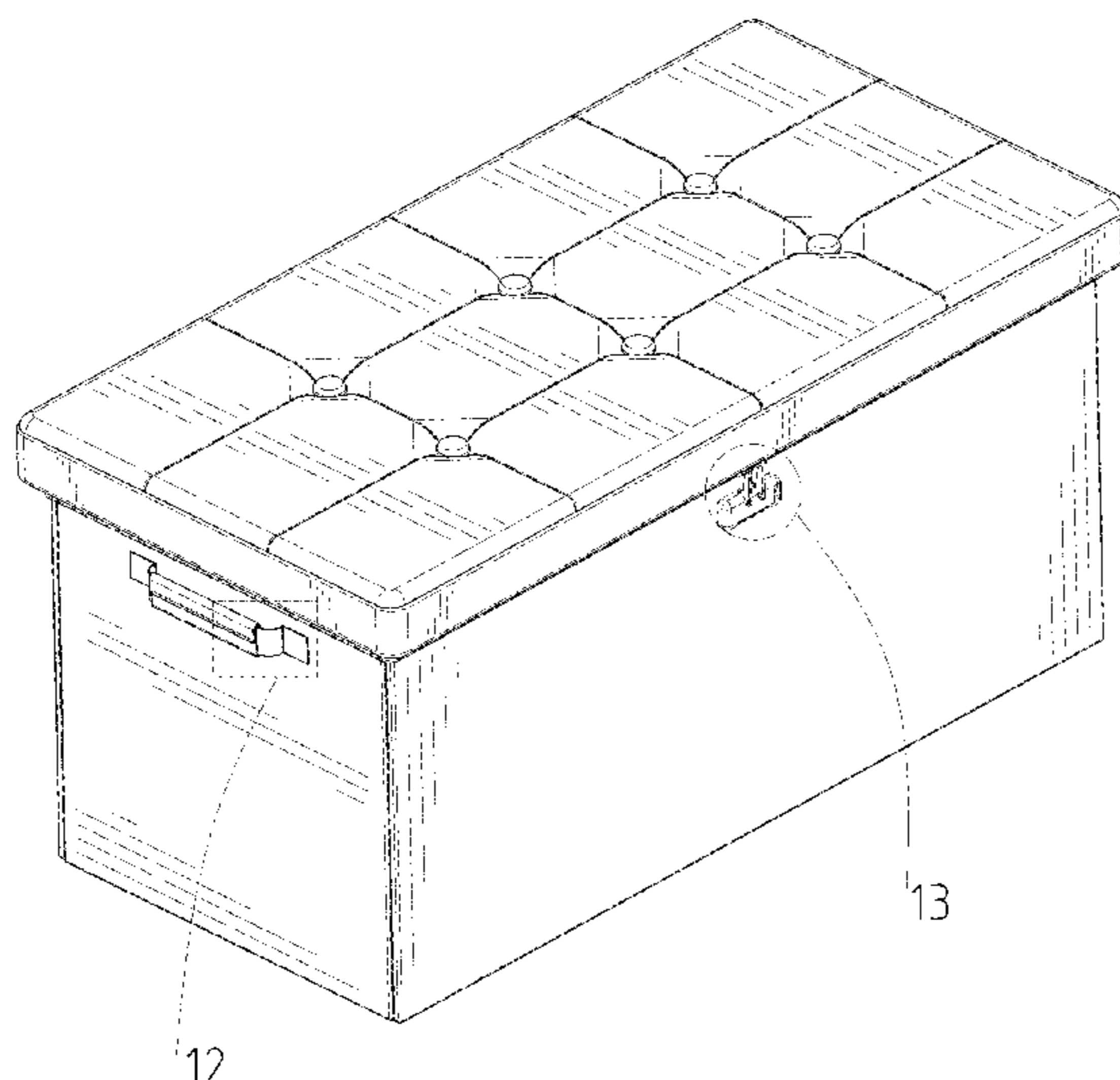
FIG. 12 is an enlarged view of the selected portion 12 in FIG. 1;

FIG. 13 is an enlarged view of the selected portion 13 in FIG. 1; and,

FIG. 14 is an enlarged view of the selected portion 14 in FIG. 2.

The broken lines shown in the drawings depict portions of the storage stool that form no part of the claimed design. The dot-dash-dot broken lines in FIGS. 1, 2, 12, 13, and 14 depict the boundaries of the enlargements that form no part of the claimed design.

1 Claim, 14 Drawing Sheets



(56)

References Cited

U.S. PATENT DOCUMENTS

D414,335 S * 9/1999 Cheyn D3/276
D442,780 S * 5/2001 Hiernard A47C 16/02
D9/423
9,226,586 B1 * 1/2016 Reid A47C 16/02
D834,339 S * 11/2018 Silver D6/349
D862,915 S 10/2019 Cao
D865,384 S 11/2019 Cao
D865,385 S 11/2019 Cao
D945,770 S * 3/2022 Liu D3/289
D946,892 S * 3/2022 Liu D3/289
11,470,976 B2 * 10/2022 Kanthasamy A47C 17/04
2018/0325277 A1 * 11/2018 Perera A47C 27/10

OTHER PUBLICATIONS

DocSafe Fireproof Storage Ottoman, Amazon Product Page. Date
First Available: Oct. 26, 2022, Date Accessed: Dec. 21, 2022.
Available on the Internet URL: [https://www.amazon.com/dp/
B0BKLR18H](https://www.amazon.com/dp/B0BKLR18H) (Year: 2022).*

* cited by examiner

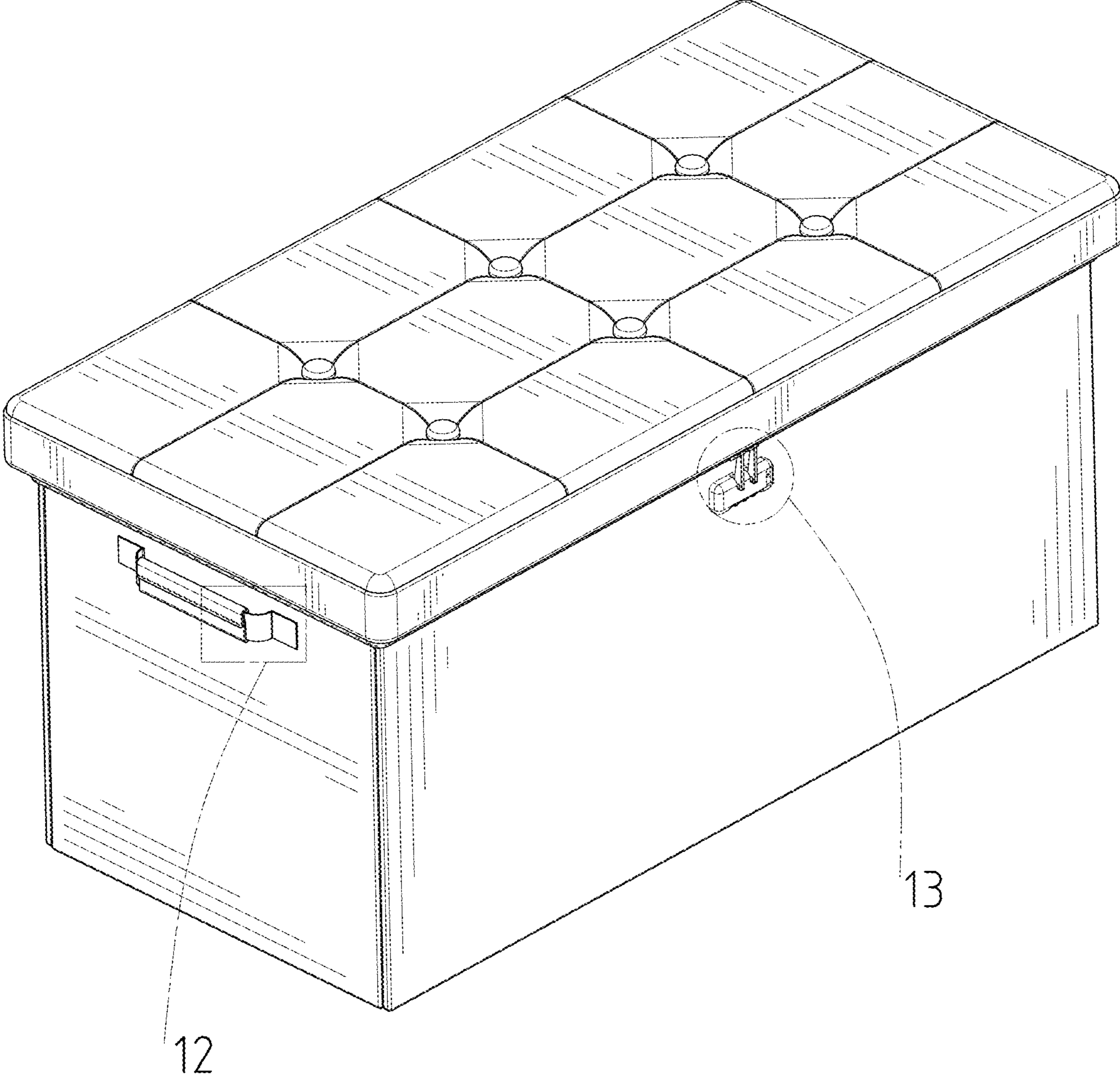


FIG. 1

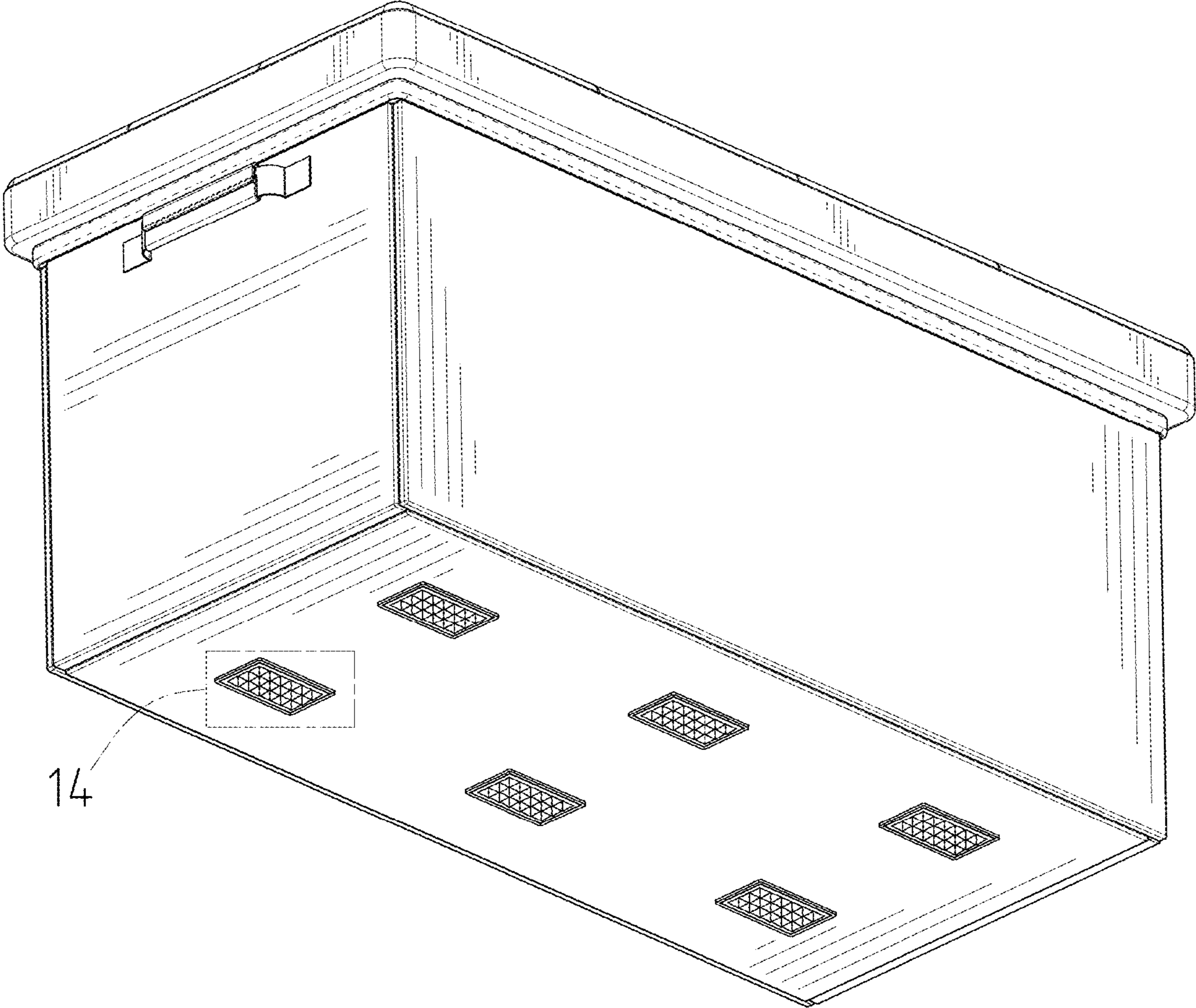


FIG. 2

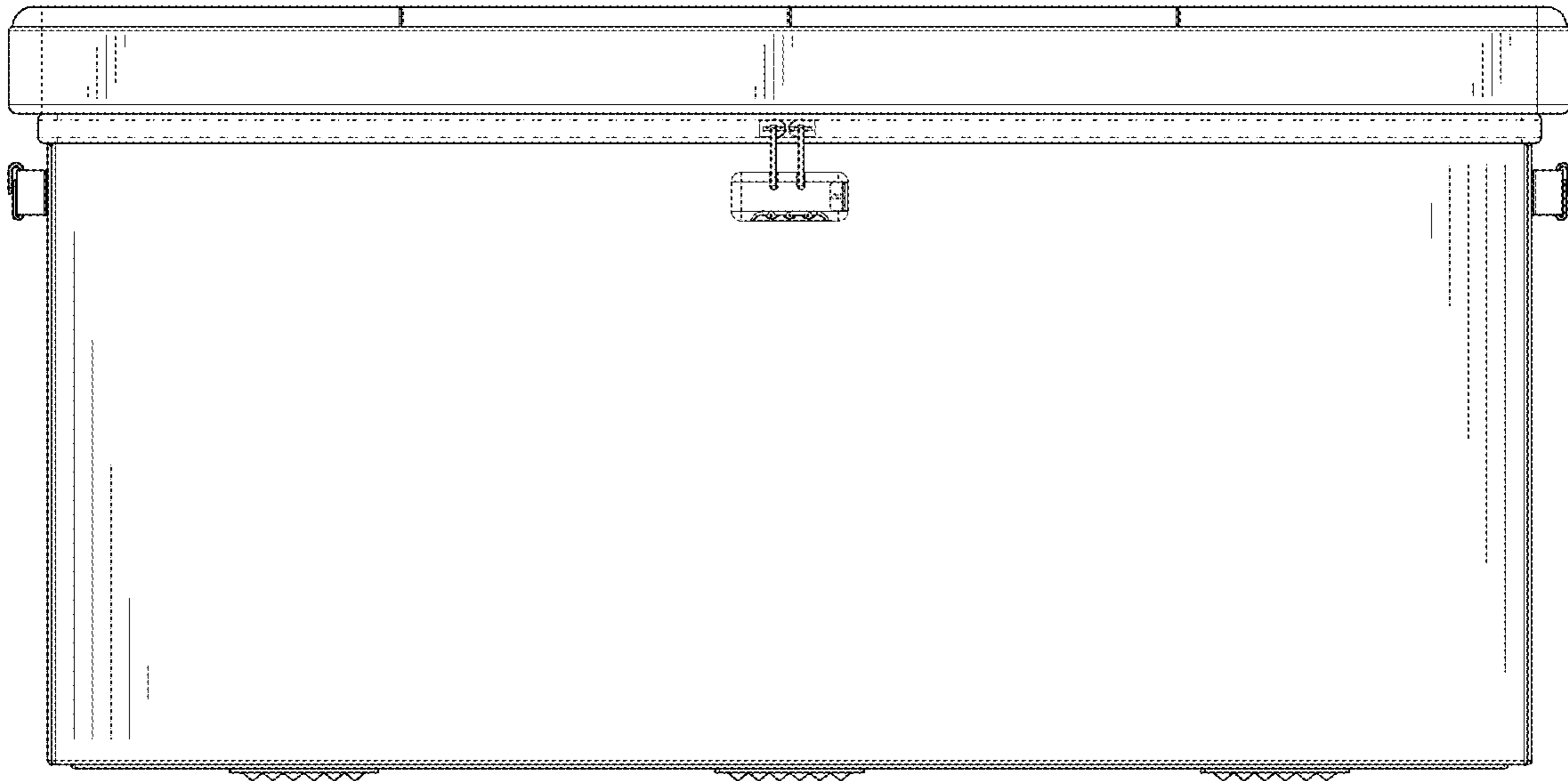


FIG. 3

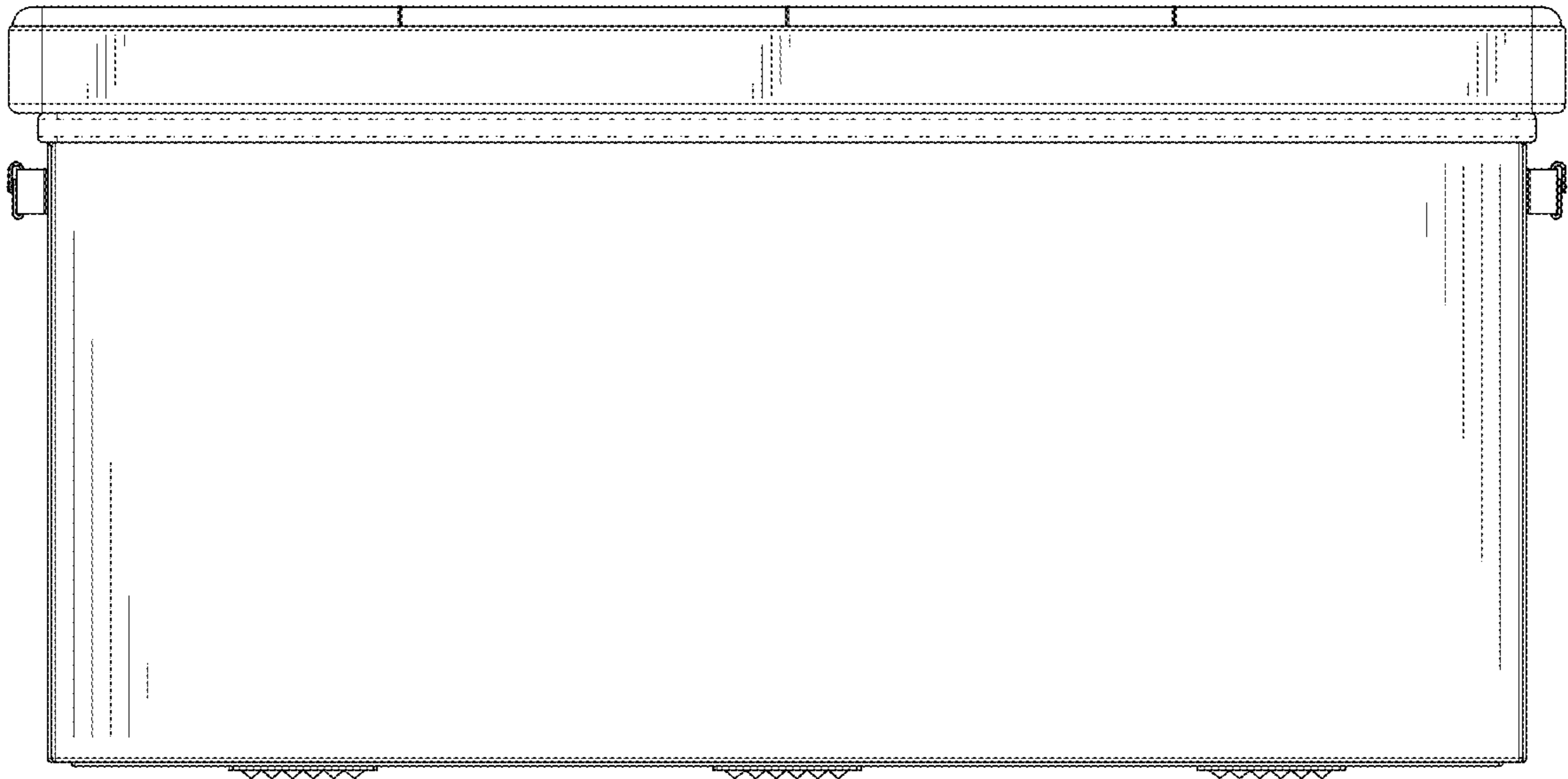


FIG. 4

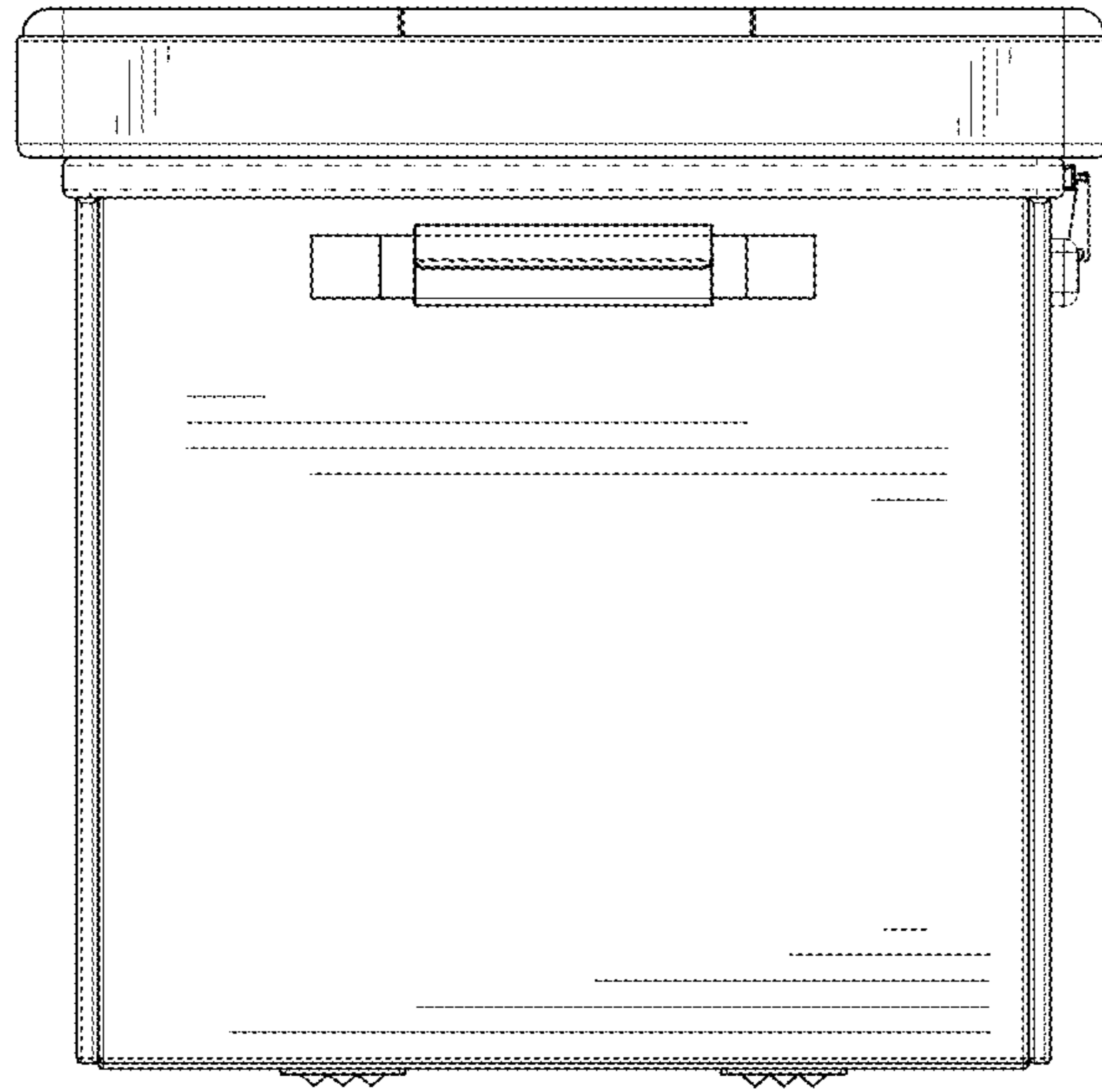


FIG. 5

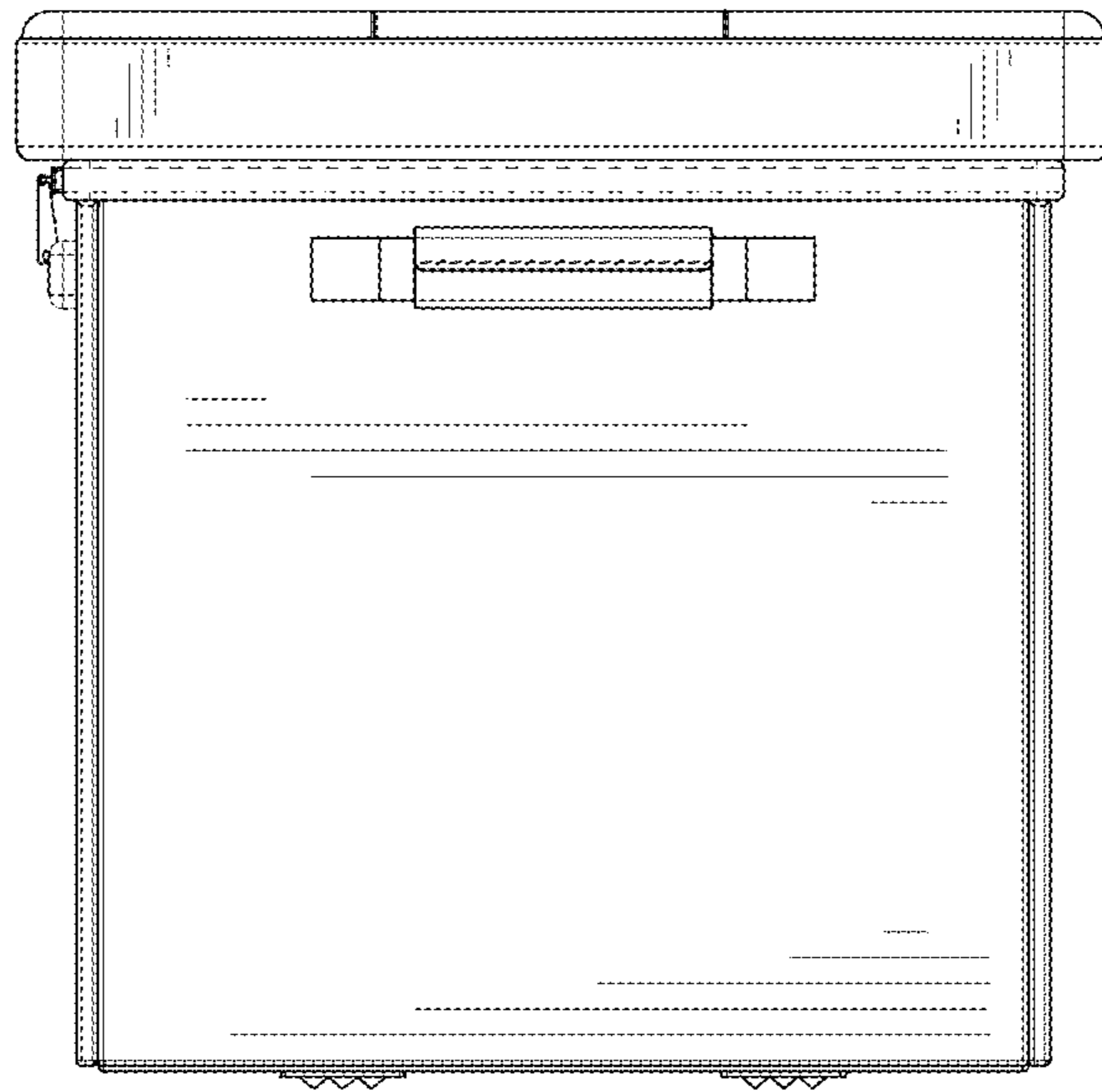


FIG. 6

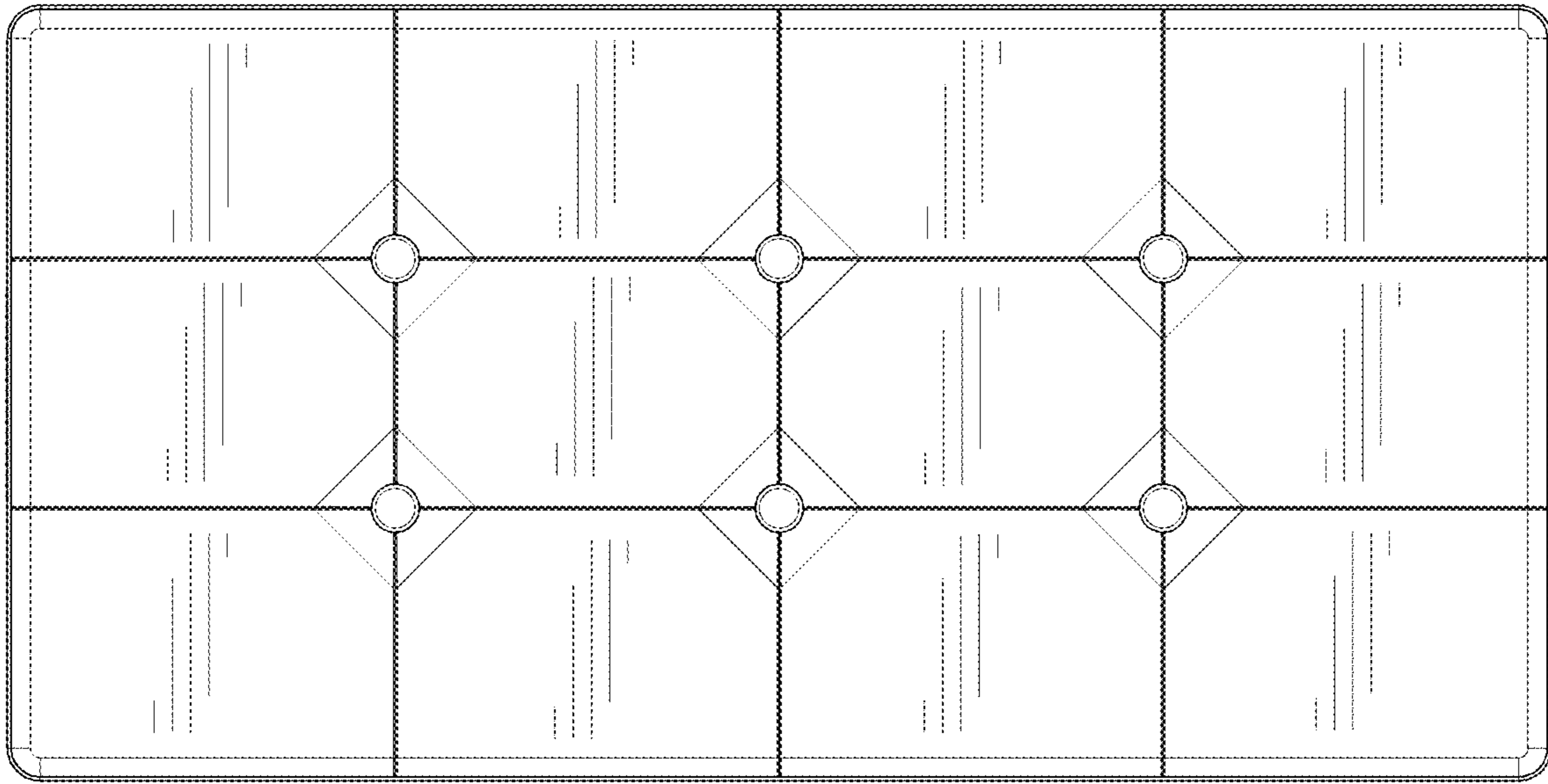


FIG. 7

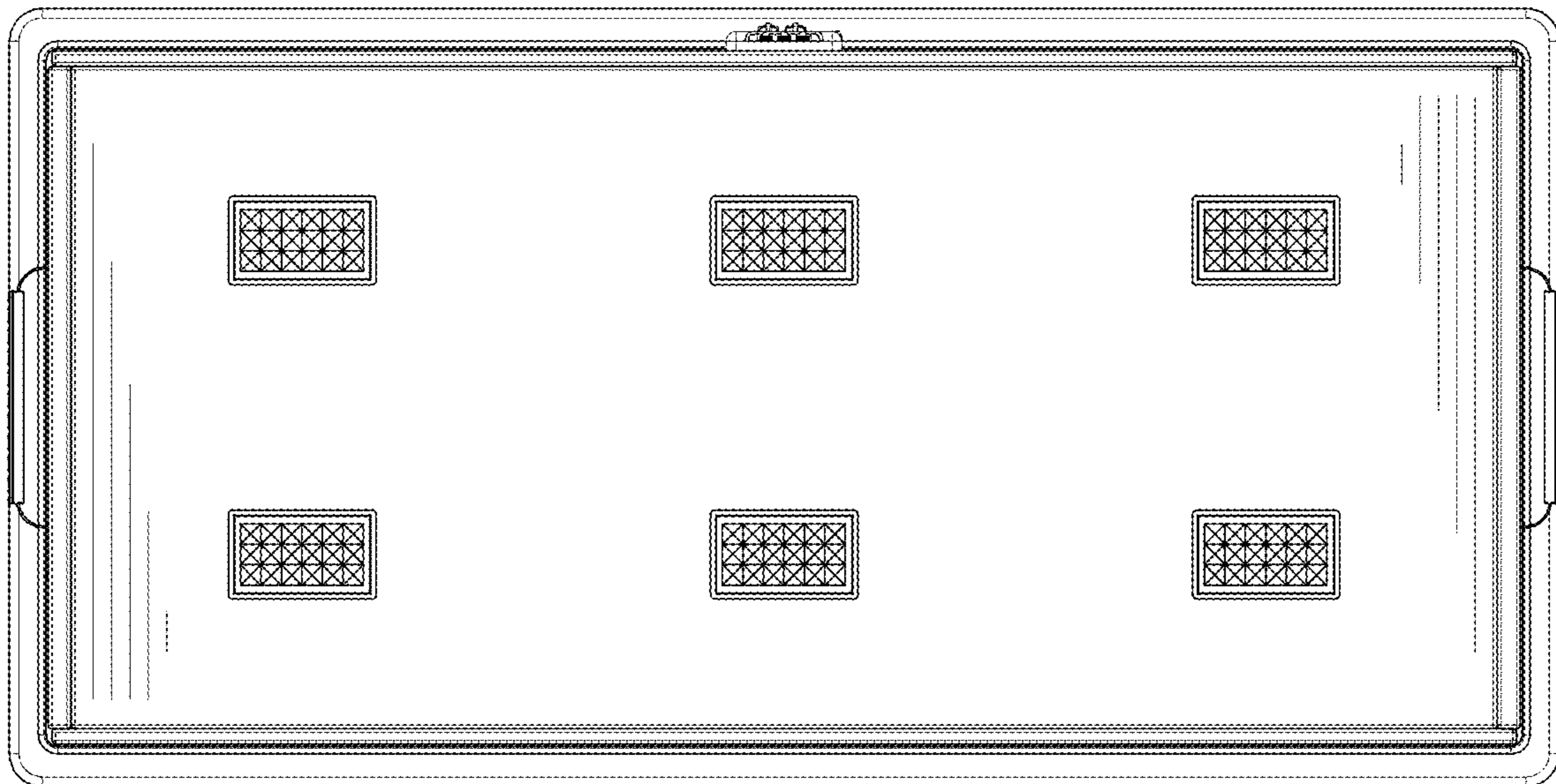


FIG. 8

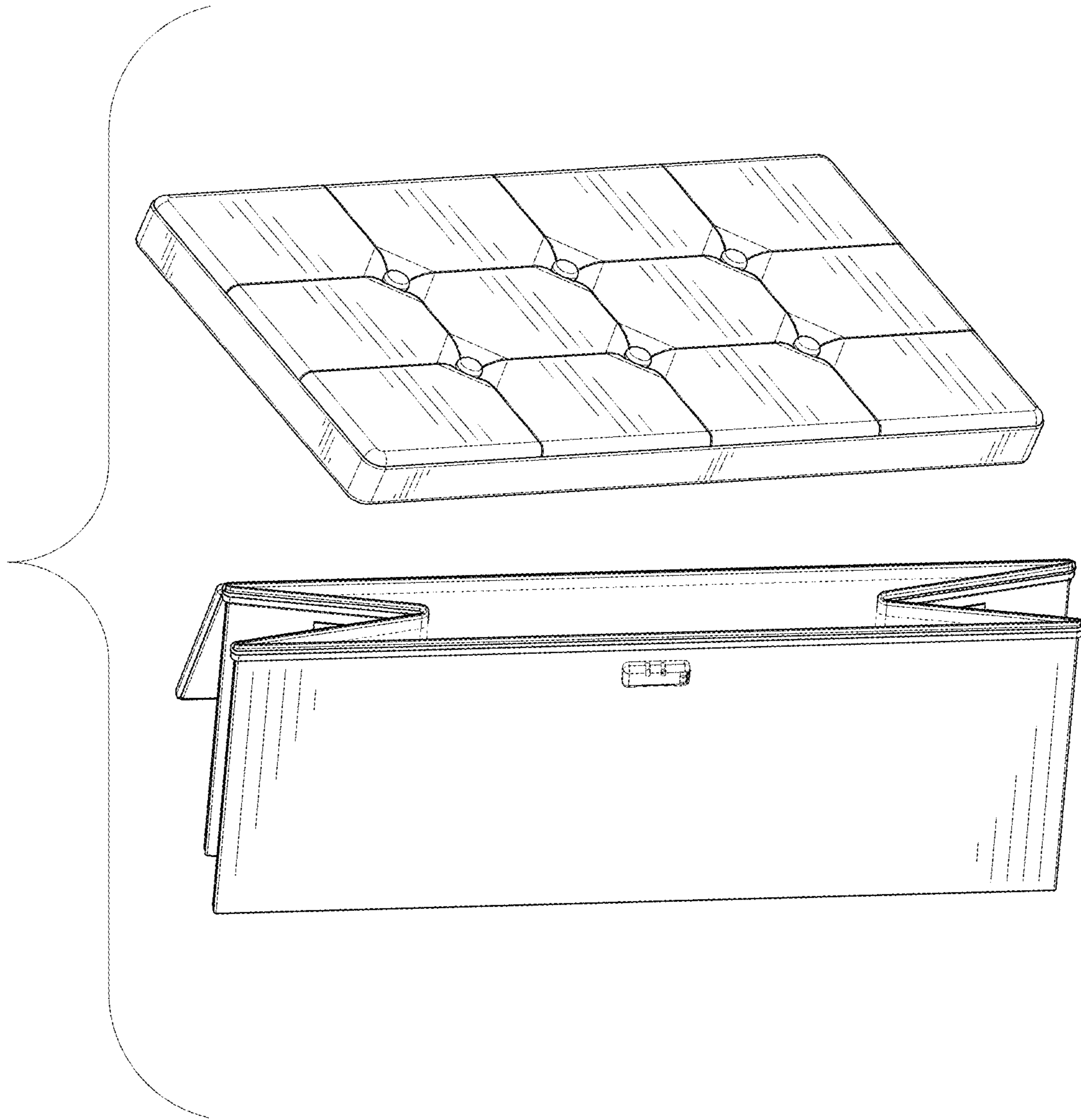


FIG. 9

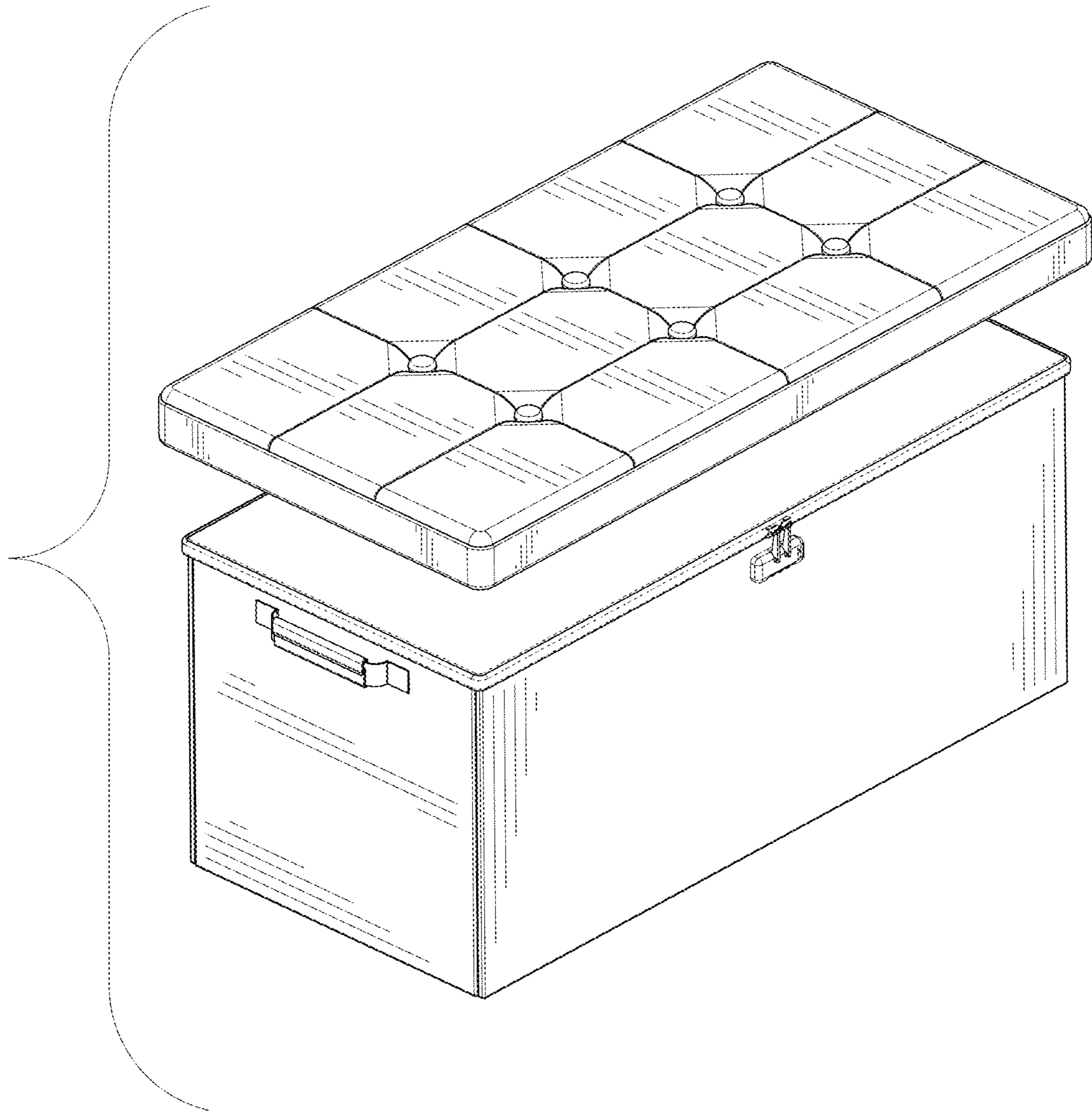


FIG. 10

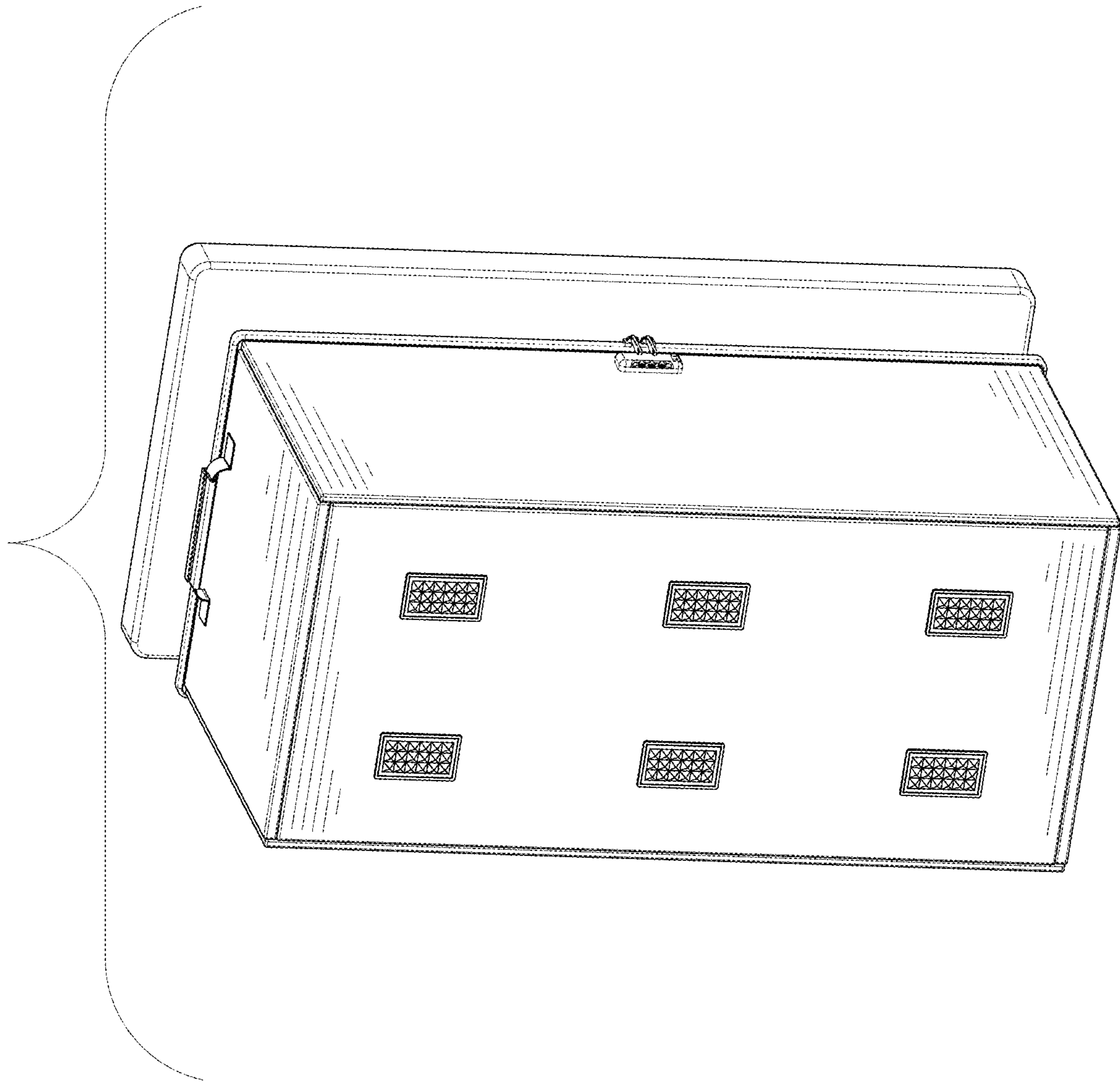


FIG. 11

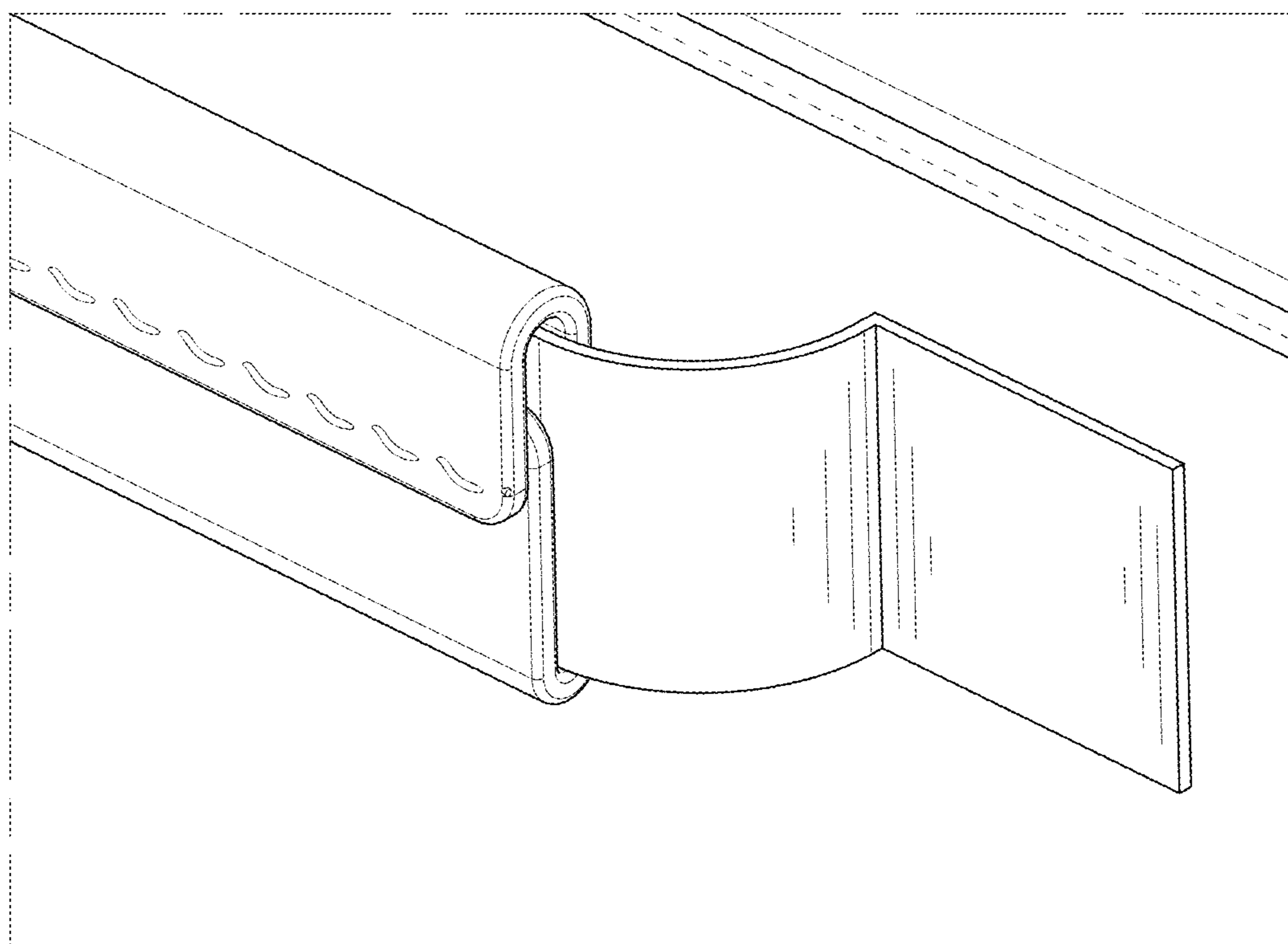


FIG. 12

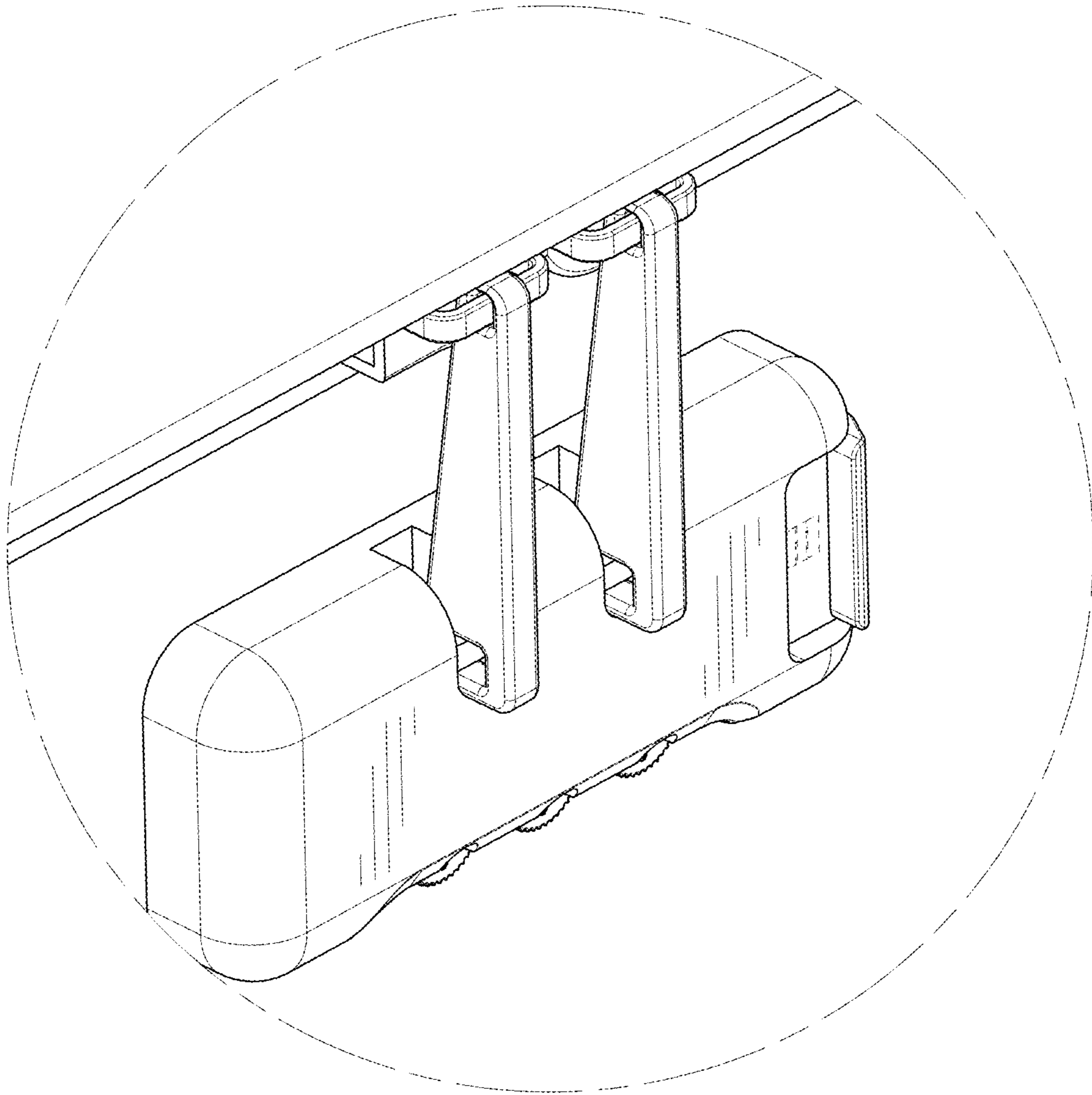


FIG. 13

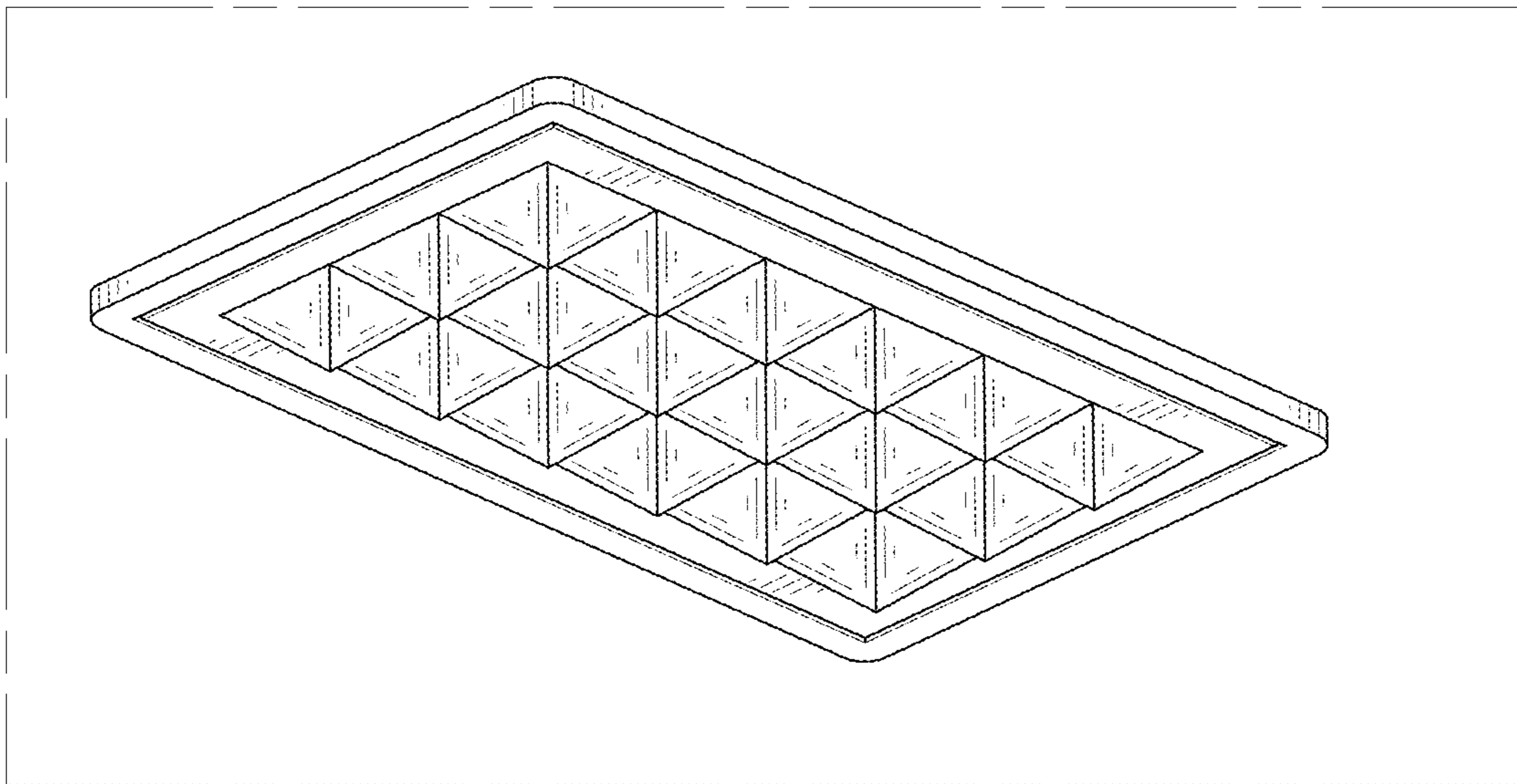


FIG. 14