



US00D985293S

(12) **United States Design Patent**  
**Liu et al.**

(10) **Patent No.:** **US D985,293 S**  
(45) **Date of Patent:** **\*\* May 9, 2023**

(54) **STORAGE STOOL**

(71) Applicant: **Shenzhen Yihuaxing Technology Co., Ltd.**, Shenzhen (CN)

(72) Inventors: **Yuming Liu**, Lianyuan (CN); **Xuyang He**, Shuangfeng (CN)

(\*\*) Term: **15 Years**

(21) Appl. No.: **29/857,136**

(22) Filed: **Oct. 20, 2022**

(51) **LOC (14) Cl.** ..... **06-01**

(52) **U.S. Cl.**  
USPC ..... **D6/349; D3/289**

(58) **Field of Classification Search**  
USPC ..... D3/276, 305, 289; D6/335, 336,  
D6/349-353; D9/423; D25/64, 65  
CPC ..... A47C 12/00; A47C 12/02; A47C 13/00  
See application file for complete search history.

(56) **References Cited**

**U.S. PATENT DOCUMENTS**

D151,983 S *	12/1948	Guertin	.....	D6/349
3,049,724 A *	8/1962	Goodman	.....	A47C 17/04
				5/36
D259,597 S *	6/1981	Marks	.....	A47C 27/10
				D6/349
D400,363 S *	11/1998	Lewis	.....	D6/349
D414,335 S *	9/1999	Cheyn	.....	D3/276
D442,780 S *	5/2001	Hiernard	.....	A47C 16/02
				D9/423
9,226,586 B1 *	1/2016	Reid	.....	A47C 16/02
D834,339 S *	11/2018	Silver	.....	D6/349
D862,915 S	10/2019	Cao		
D865,384 S	11/2019	Cao		
D865,385 S	11/2019	Cao		

(Continued)

**OTHER PUBLICATIONS**

DocSafe Fireproof Storage Ottoman, Amazon Product Page. Date First Available: Oct. 26, 2022, Date Accessed: Jan. 4, 2023. Avail-

able on the Internet URL: <https://www.amazon.com/Fireproof-Storage-Ottoman-DocSafe-Organizer/dp/B0BLNJLY94/> (Year: 2022).\*

(Continued)

*Primary Examiner* — S. Bryan Reinholdt, Jr.

*Assistant Examiner* — Julia S Folkart

(74) *Attorney, Agent, or Firm* — Rumit Ranjit Kanakia

(57) **CLAIM**

The ornamental design for a storage stool, as shown and described.

**DESCRIPTION**

FIG. 1 is a first perspective view of a storage stool showing our new design;

FIG. 2 is a second perspective view thereof;

FIG. 3 is a front view thereof;

FIG. 4 is a back view thereof;

FIG. 5 is a left side view thereof;

FIG. 6 is a right side view thereof;

FIG. 7 is a top view thereof;

FIG. 8 is a bottom view thereof;

FIG. 9 is an exploded view of the storage stool thereof;

FIG. 10 is another exploded view thereof;

FIG. 11 is an exploded view of the storage stool in a collapsed state;

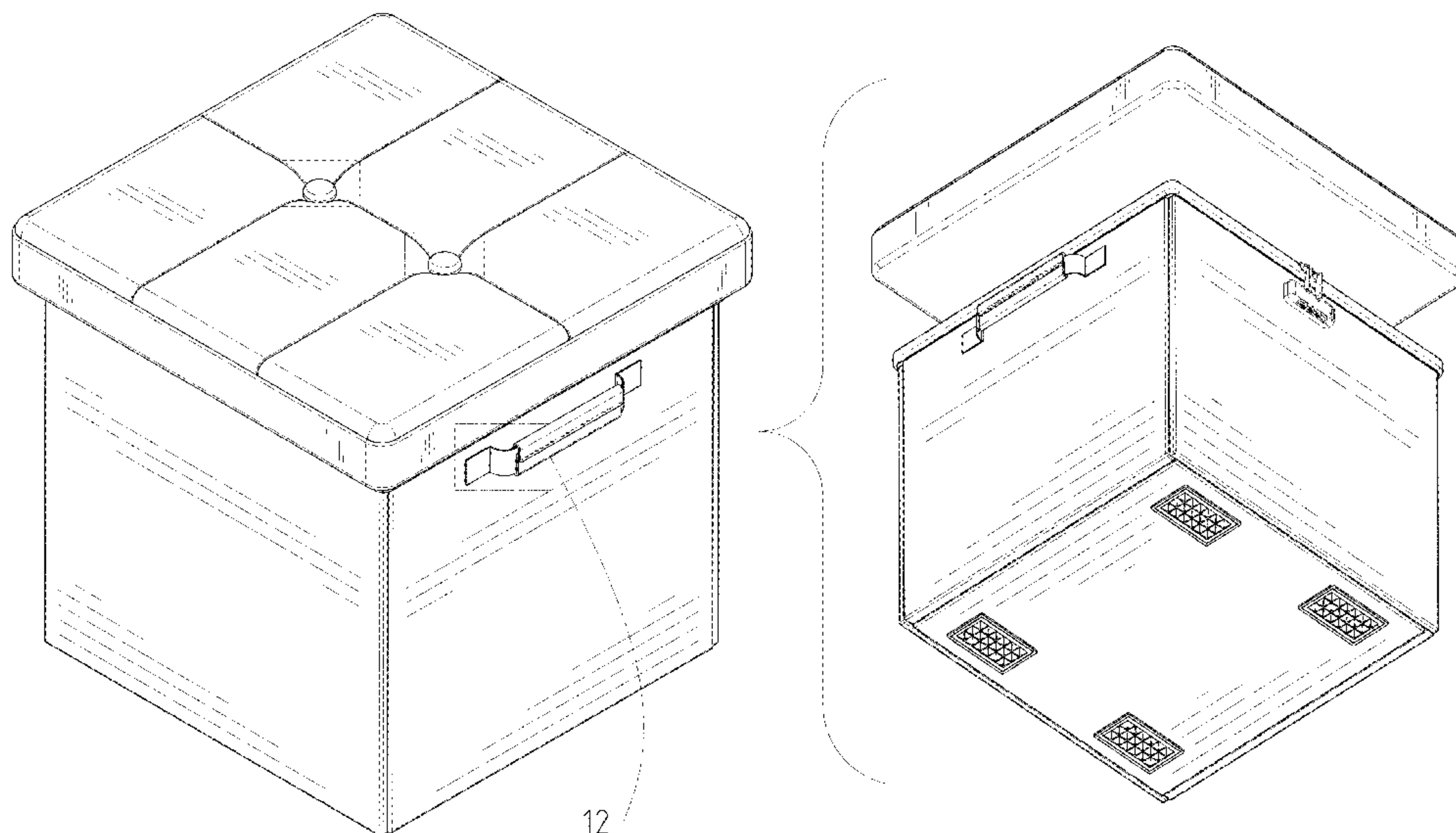
FIG. 12 is an enlarged view of the selected portion 12 in FIG. 1;

FIG. 13 is an enlarged view of the selected portion 13 in FIG. 2; and,

FIG. 14 is an enlarged view of the selected portion 14 in FIG. 2.

The evenly-spaced broken lines shown in the drawings depict portions of the storage stool that form no part of the claimed design. The dot-dash-dot broken lines in FIGS. 1, 2, 12, 13, and 14 depict the boundaries of the enlargements that form no part of the claimed design.

**1 Claim, 14 Drawing Sheets**



(56)

**References Cited**

U.S. PATENT DOCUMENTS

D945,770 S \* 3/2022 Liu ..... D3/289  
D946,892 S \* 3/2022 Liu ..... D3/289  
11,470,976 B2 \* 10/2022 Kanthasamy ..... A47C 17/04  
2018/0325277 A1 \* 11/2018 Perera ..... A47C 27/10

OTHER PUBLICATIONS

Tamfile Storage Ottoman Cube, Amazon Product Page. Date First Available: Oct. 24, 2022, Date Accessed: Jan. 4, 2023. Available on the Internet URL: <https://www.amazon.com/dp/B0BK8VPYSJ/> (Year: 2022).\*

Brian&Dany Foldable Storage Ottoman, Amazon Product Page. Date First Available: Apr. 28, 2021, Date Accessed: Jan. 4, 2023. Available on the Internet URL: <https://www.amazon.com/dp/B093PRX74W/> (Year: 2021).\*

\* cited by examiner

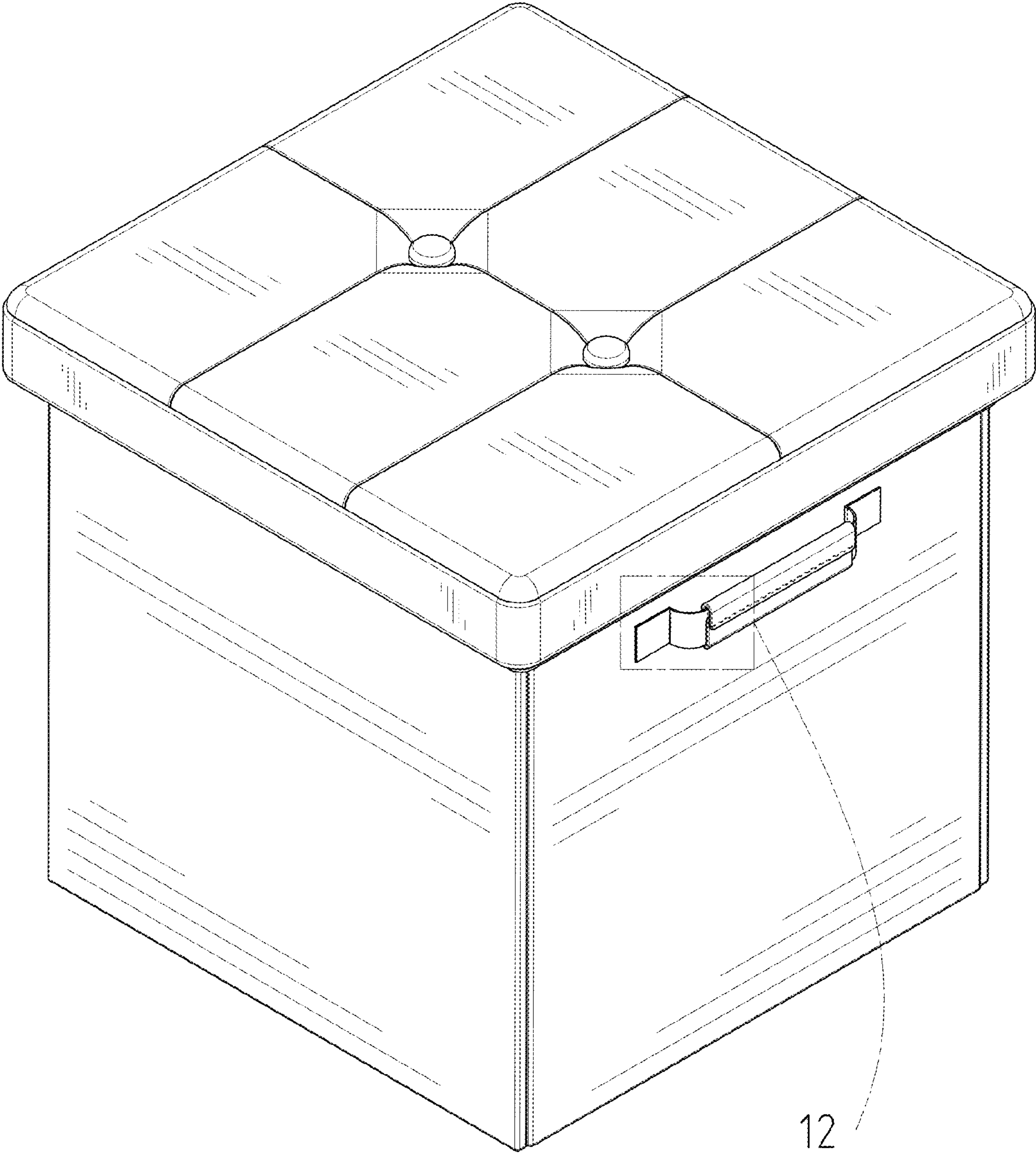


FIG. 1



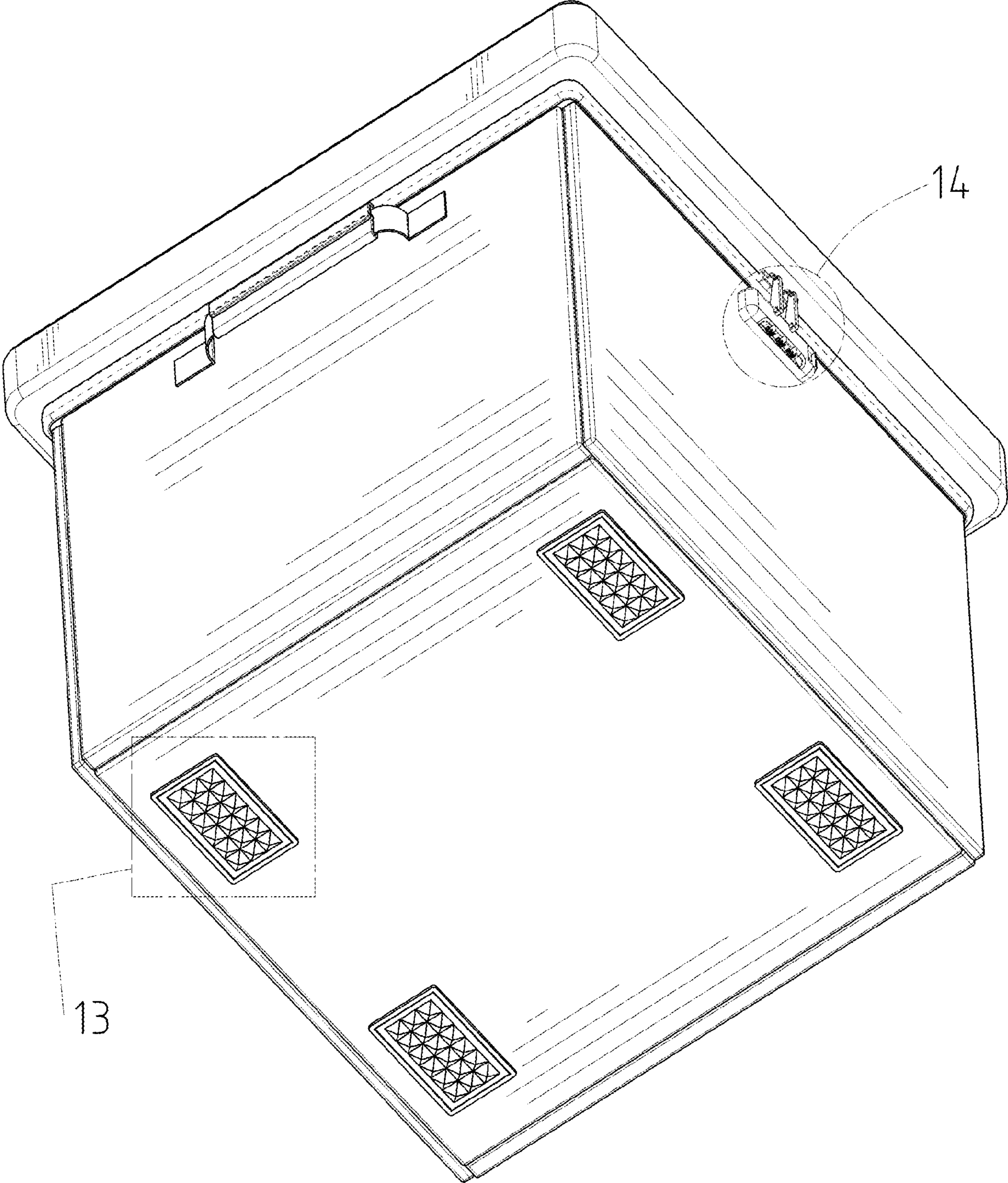


FIG. 2

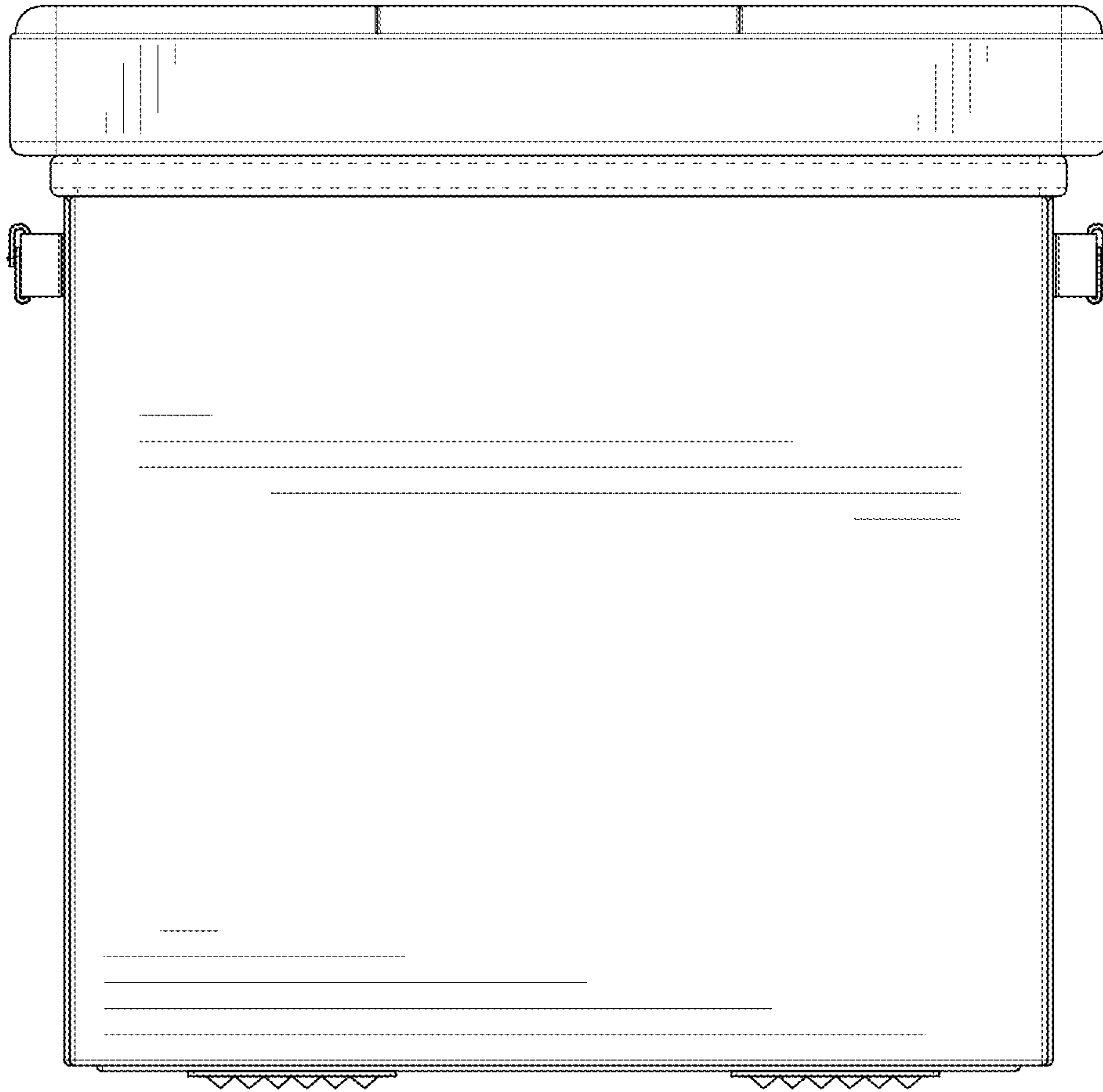


FIG. 3

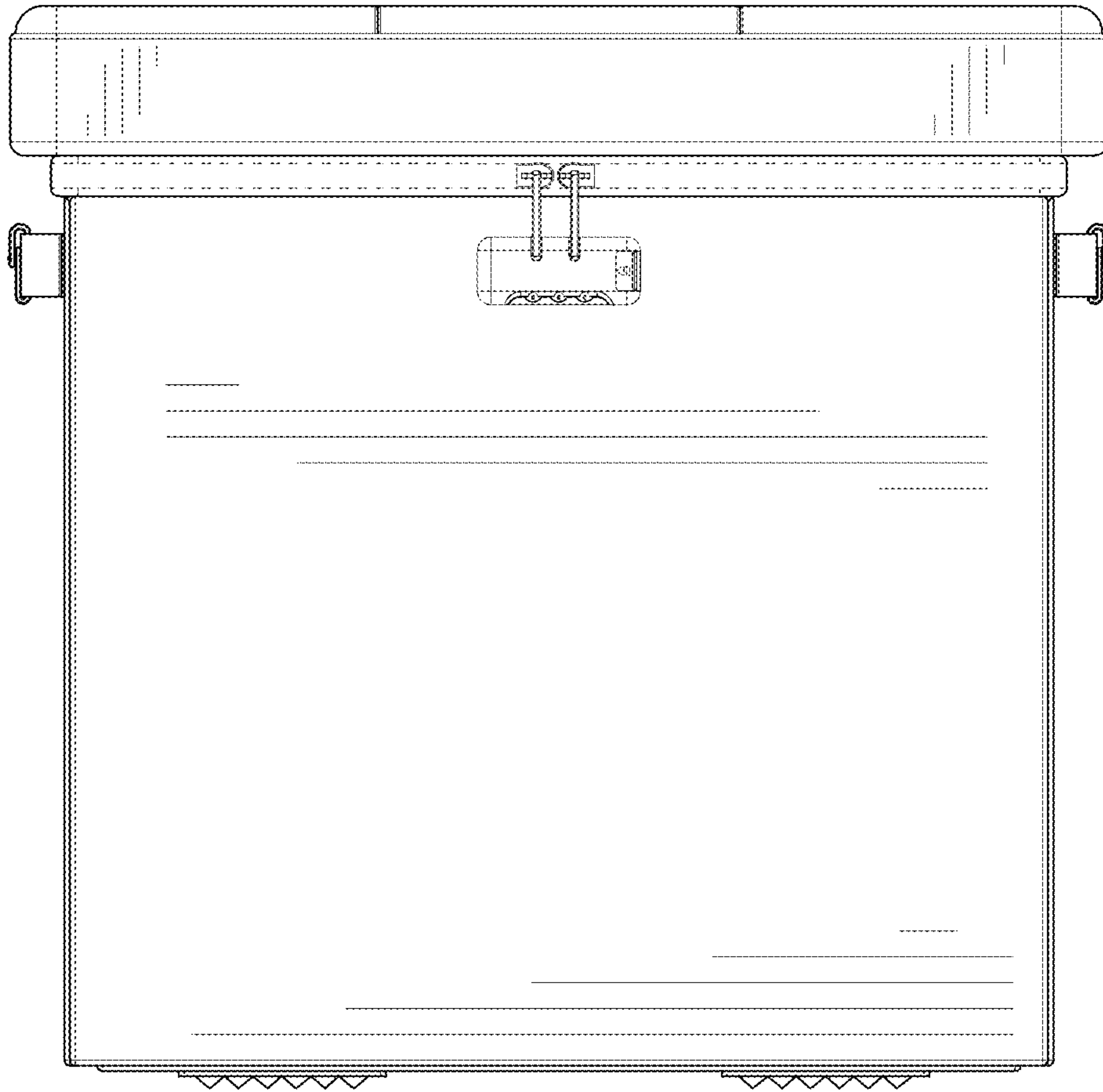


FIG. 4

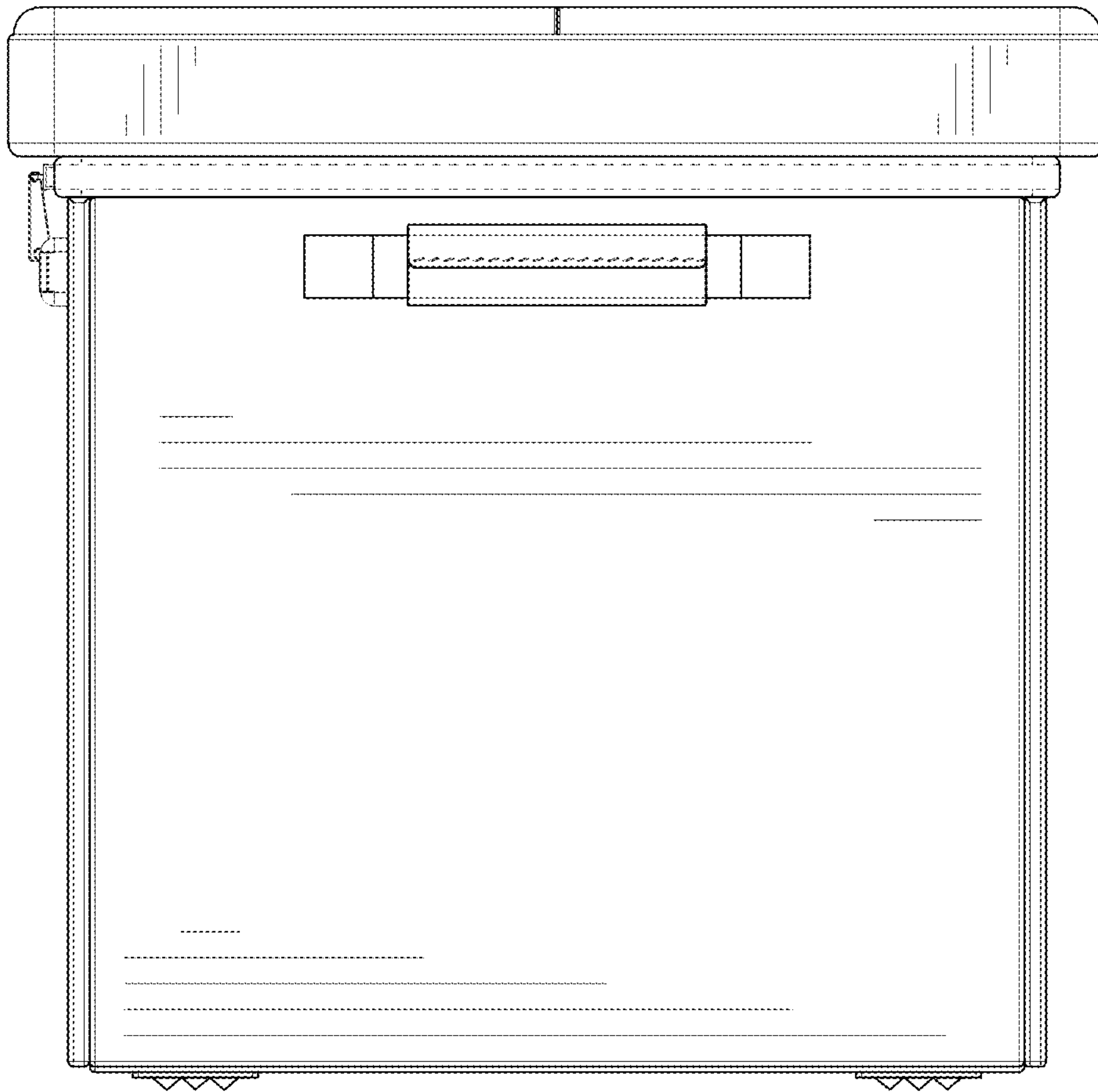


FIG. 5

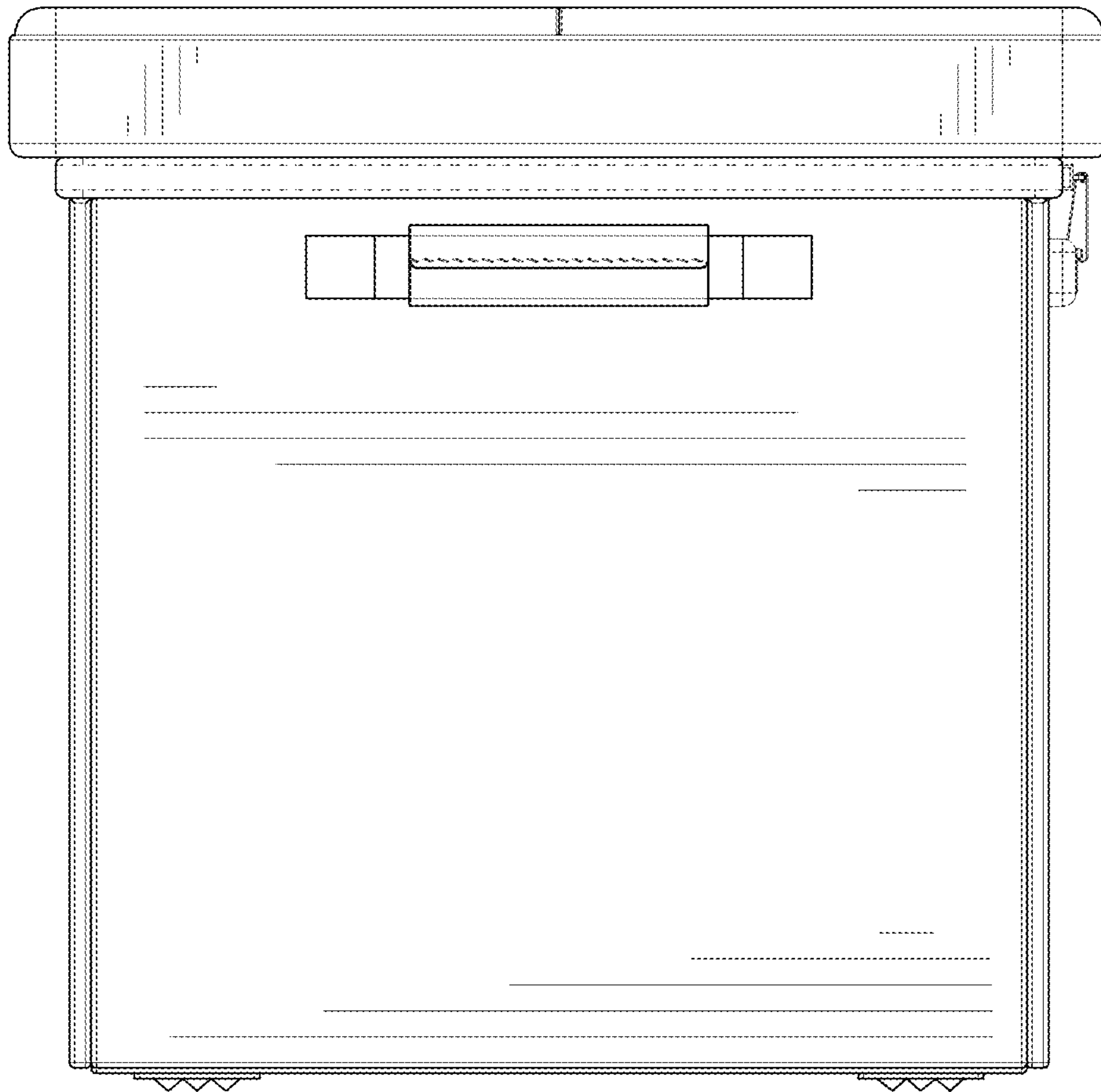


FIG. 6



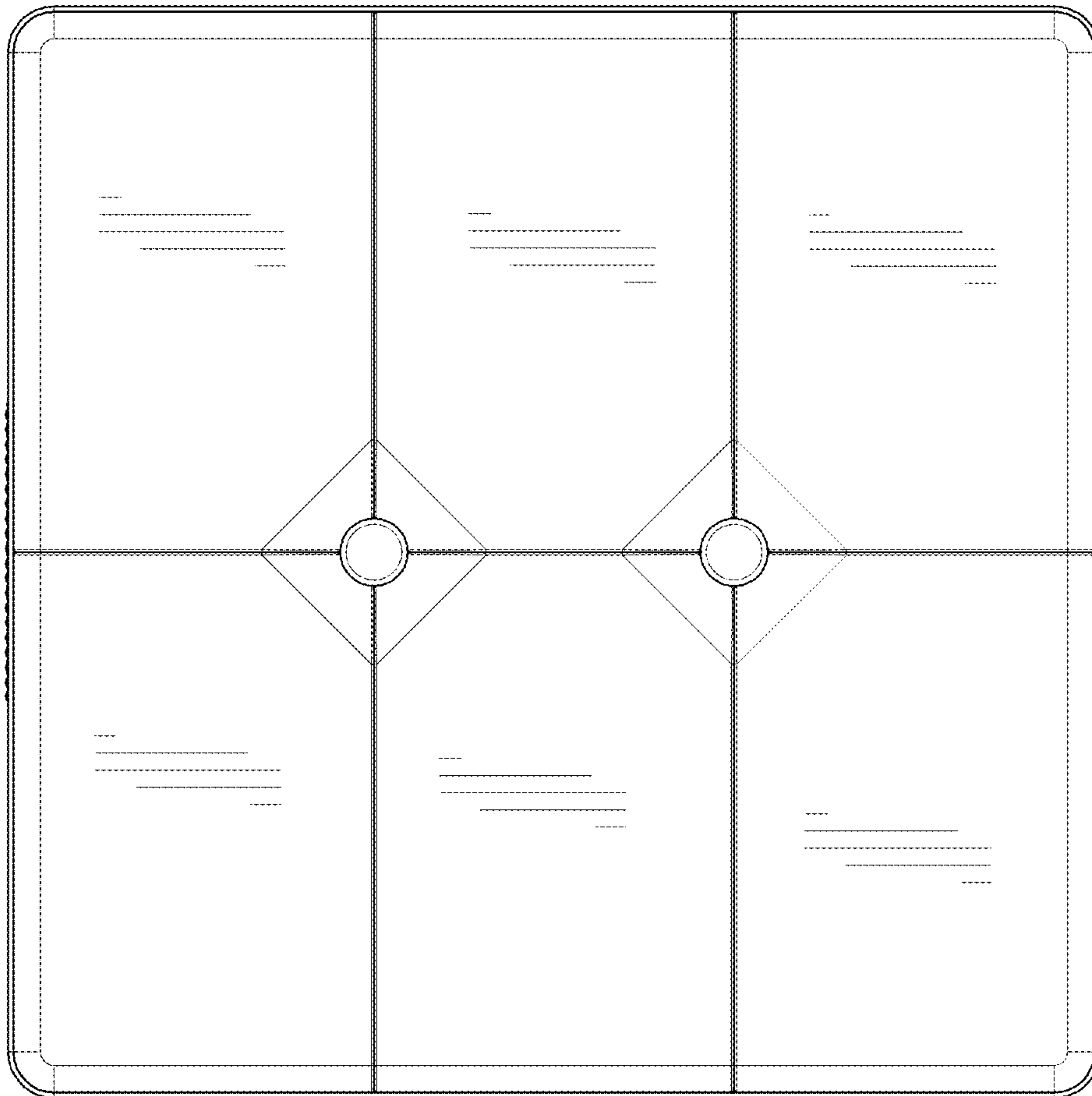


FIG. 7

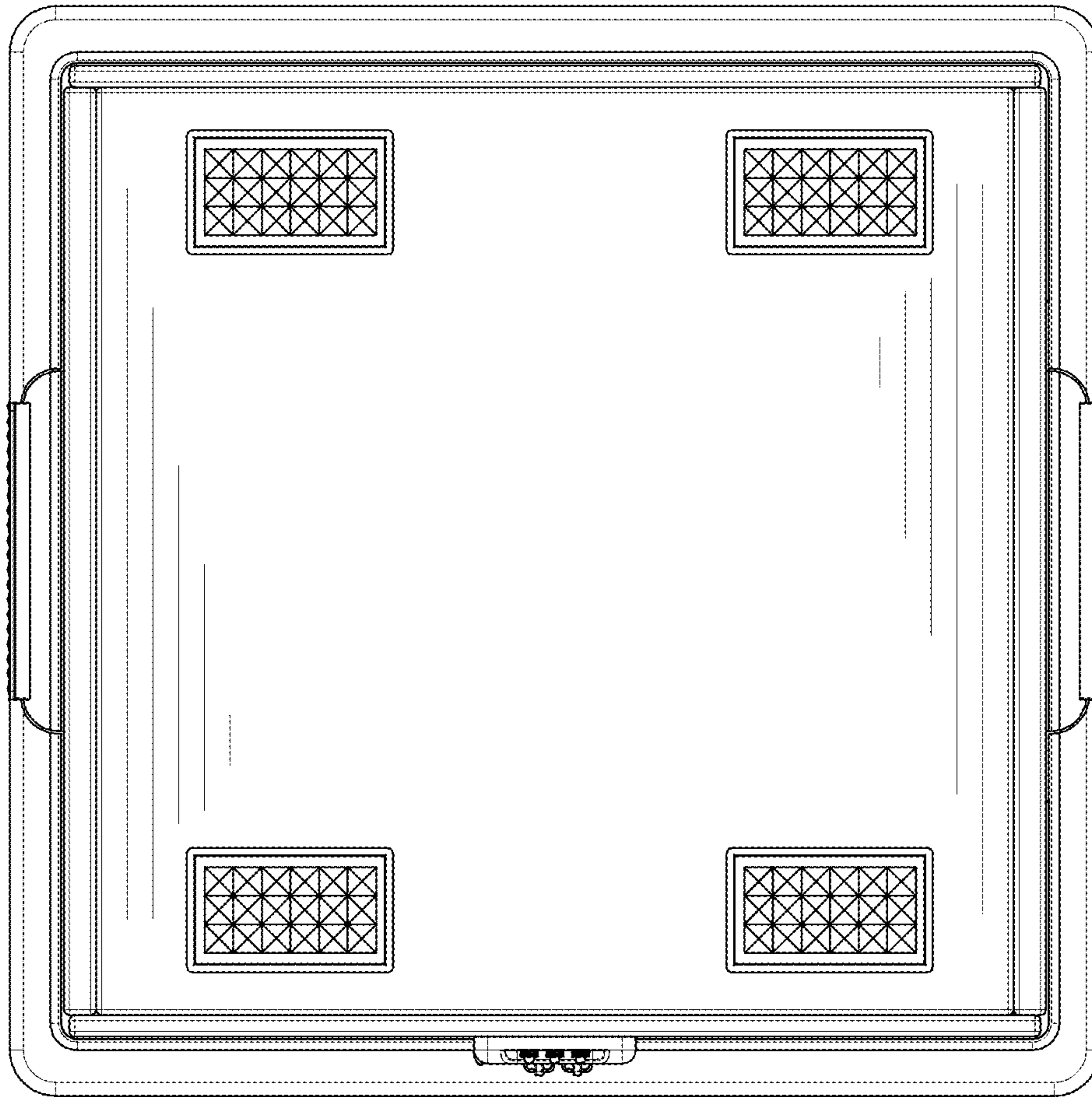


FIG. 8

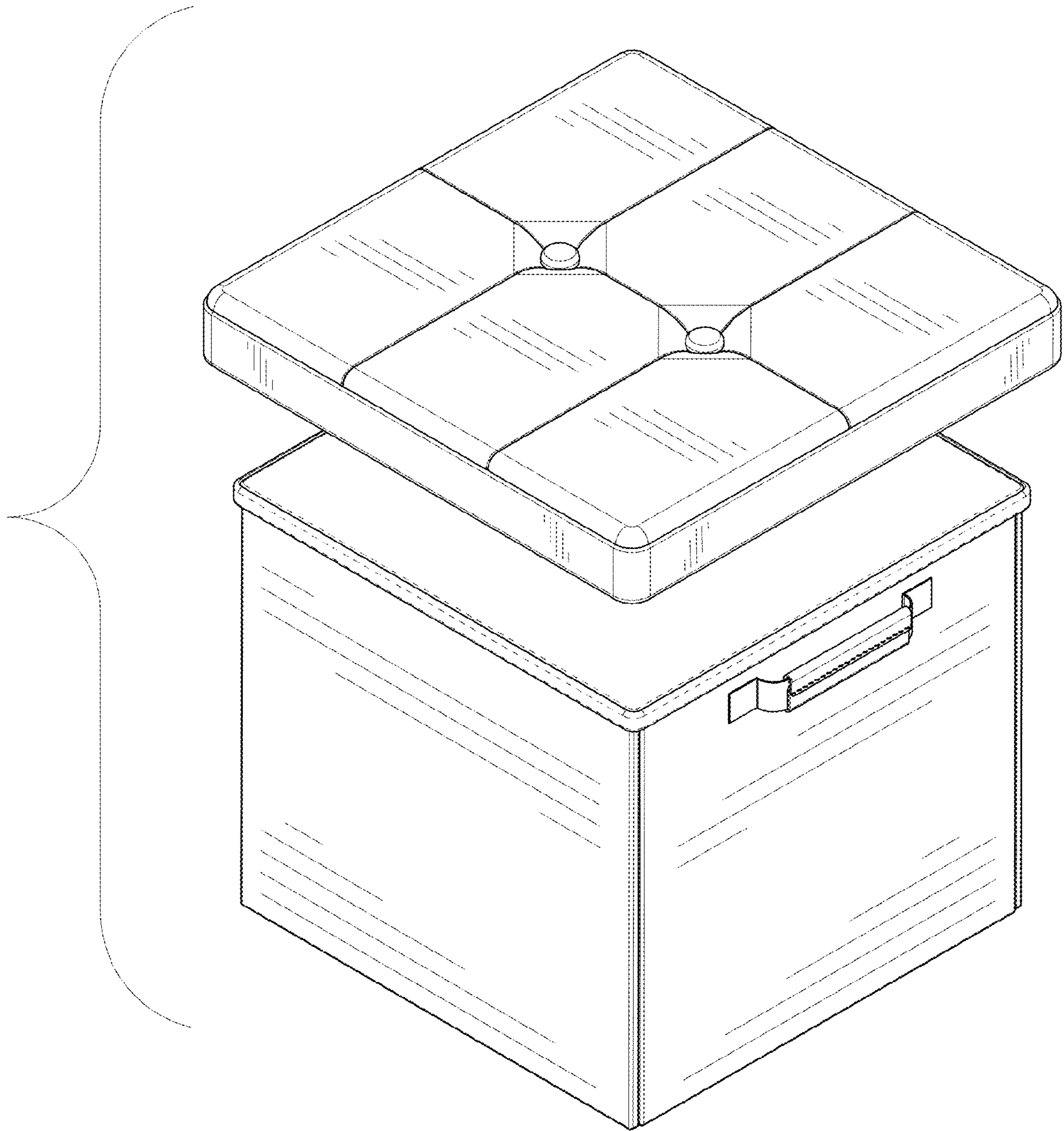


FIG. 9

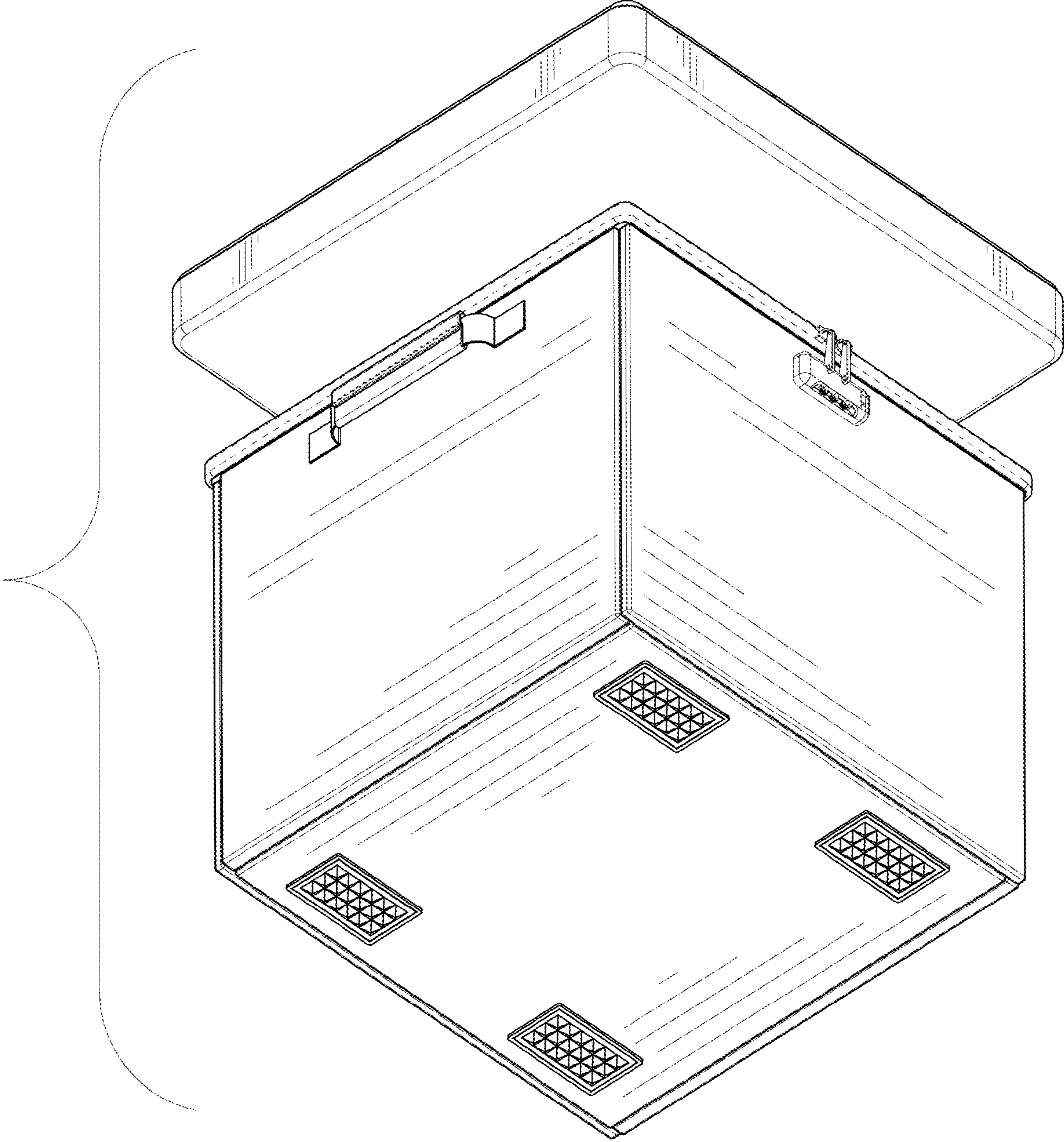


FIG. 10



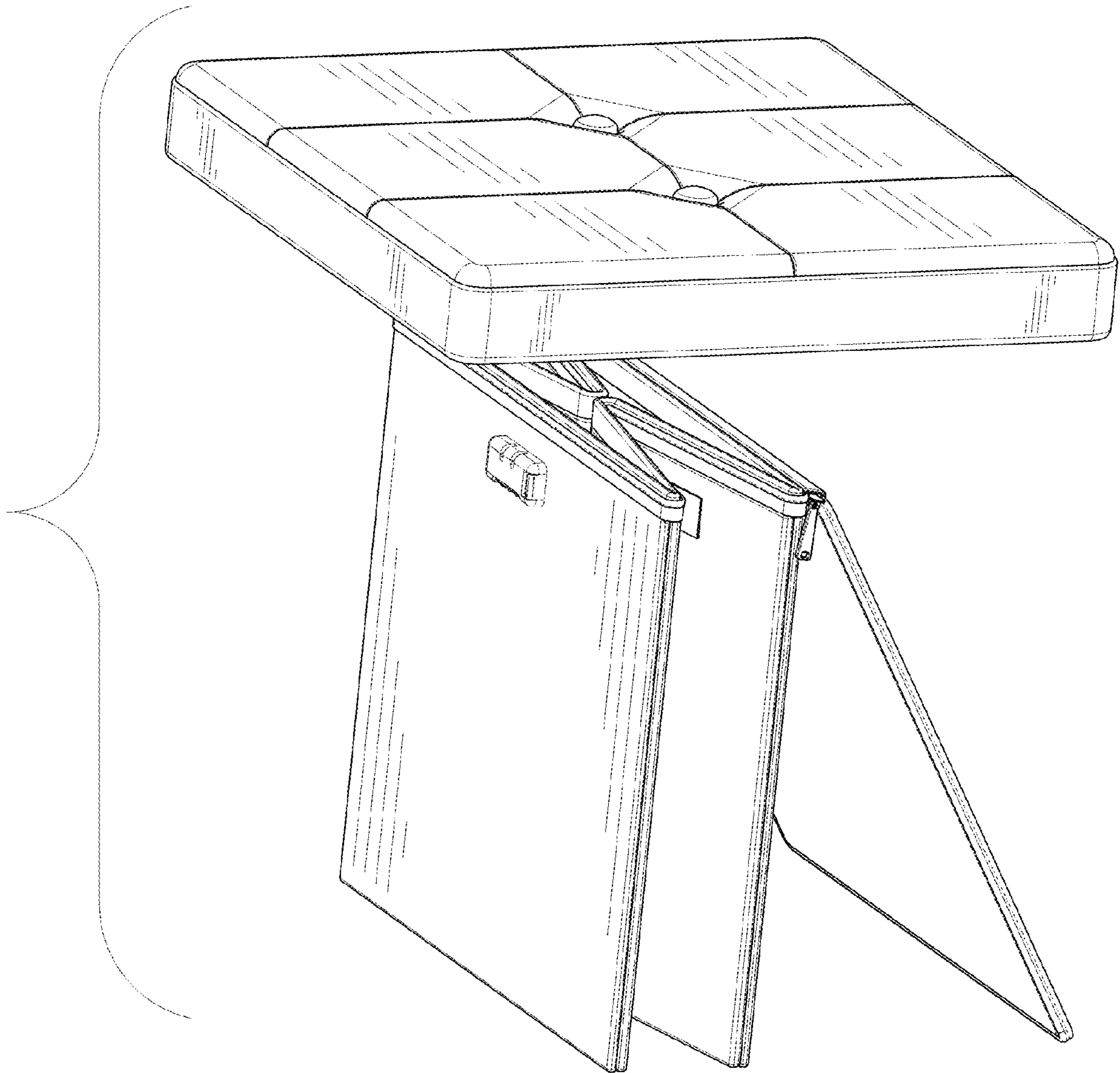


FIG. 11



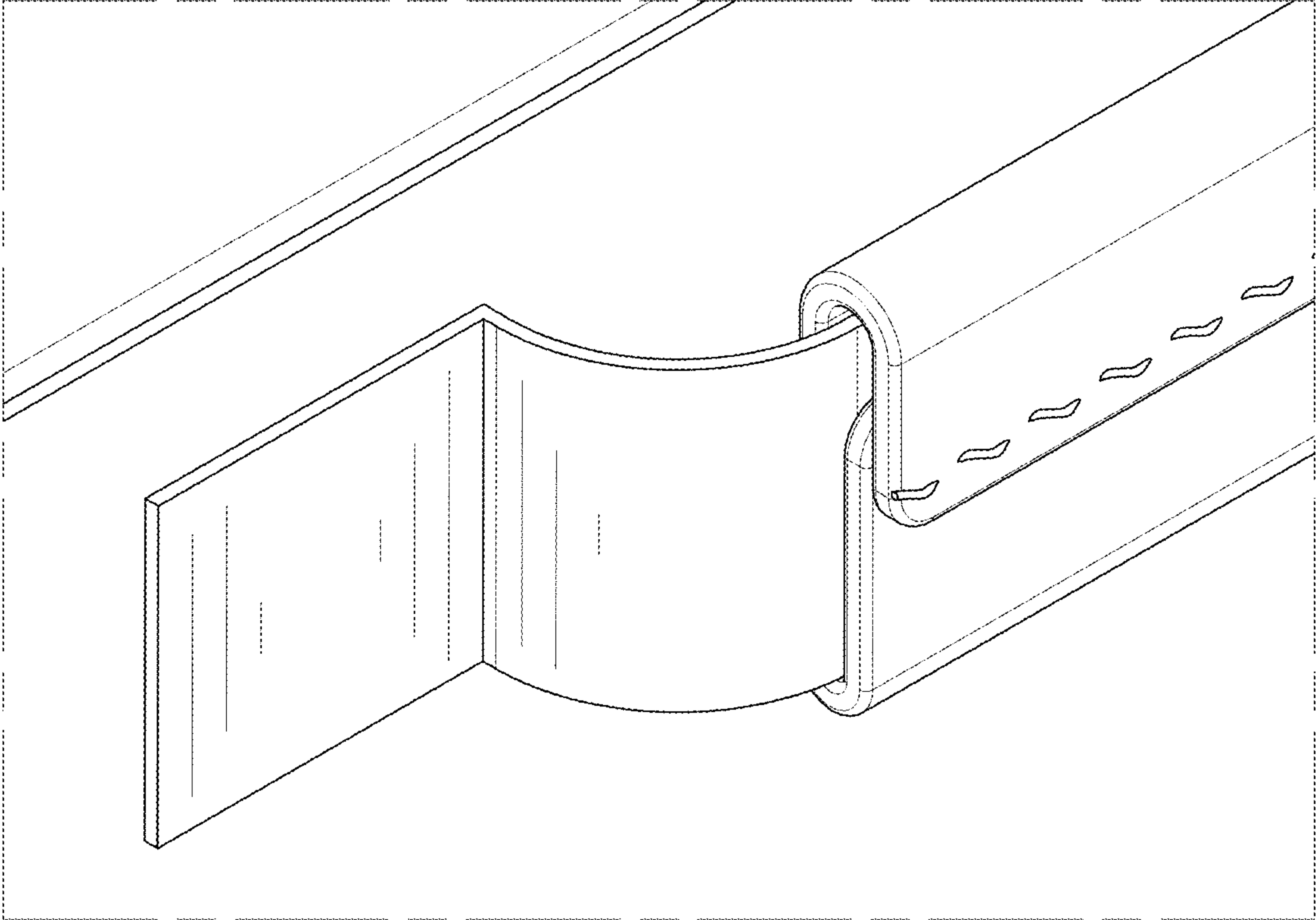


FIG. 12

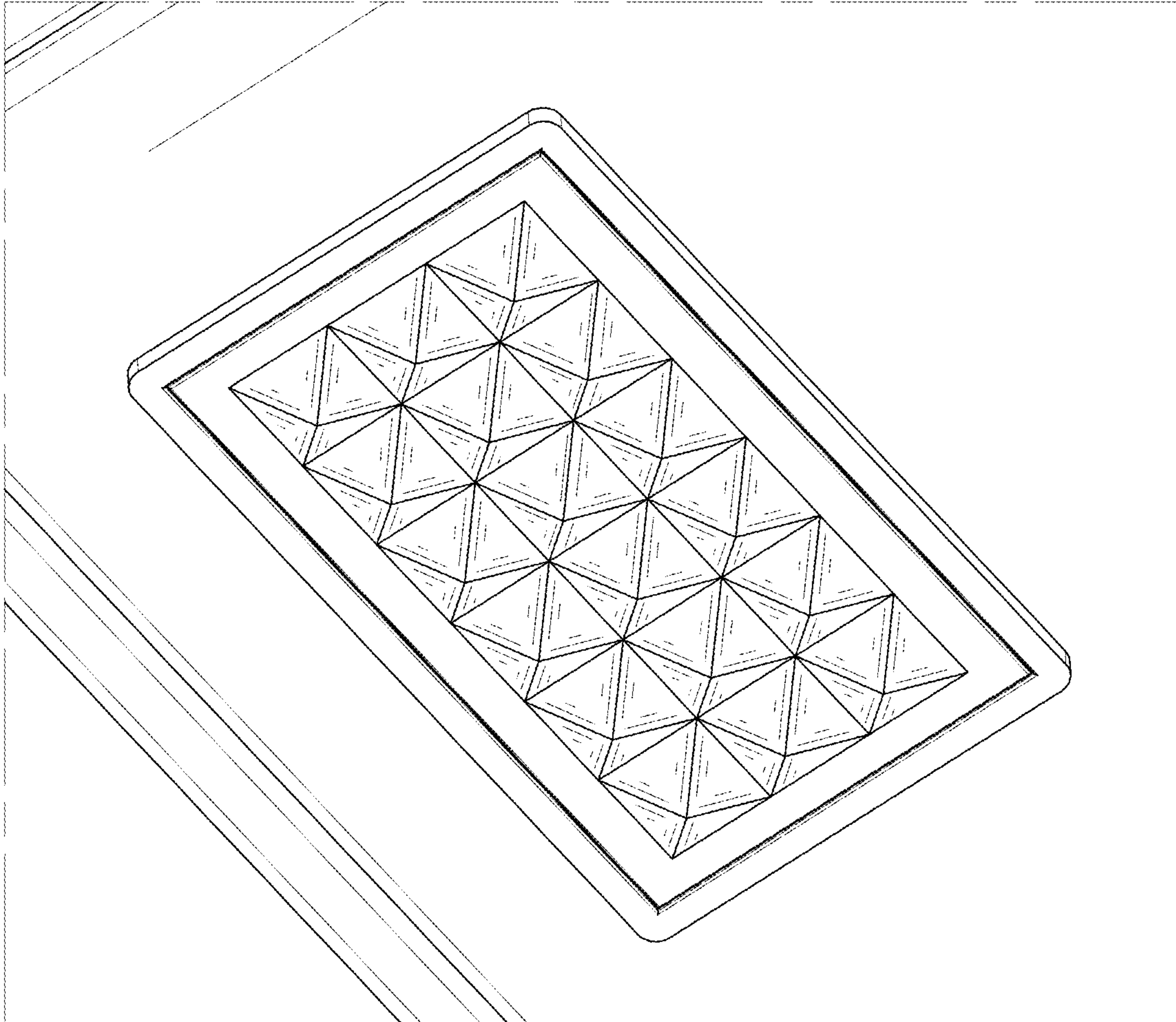


FIG. 13

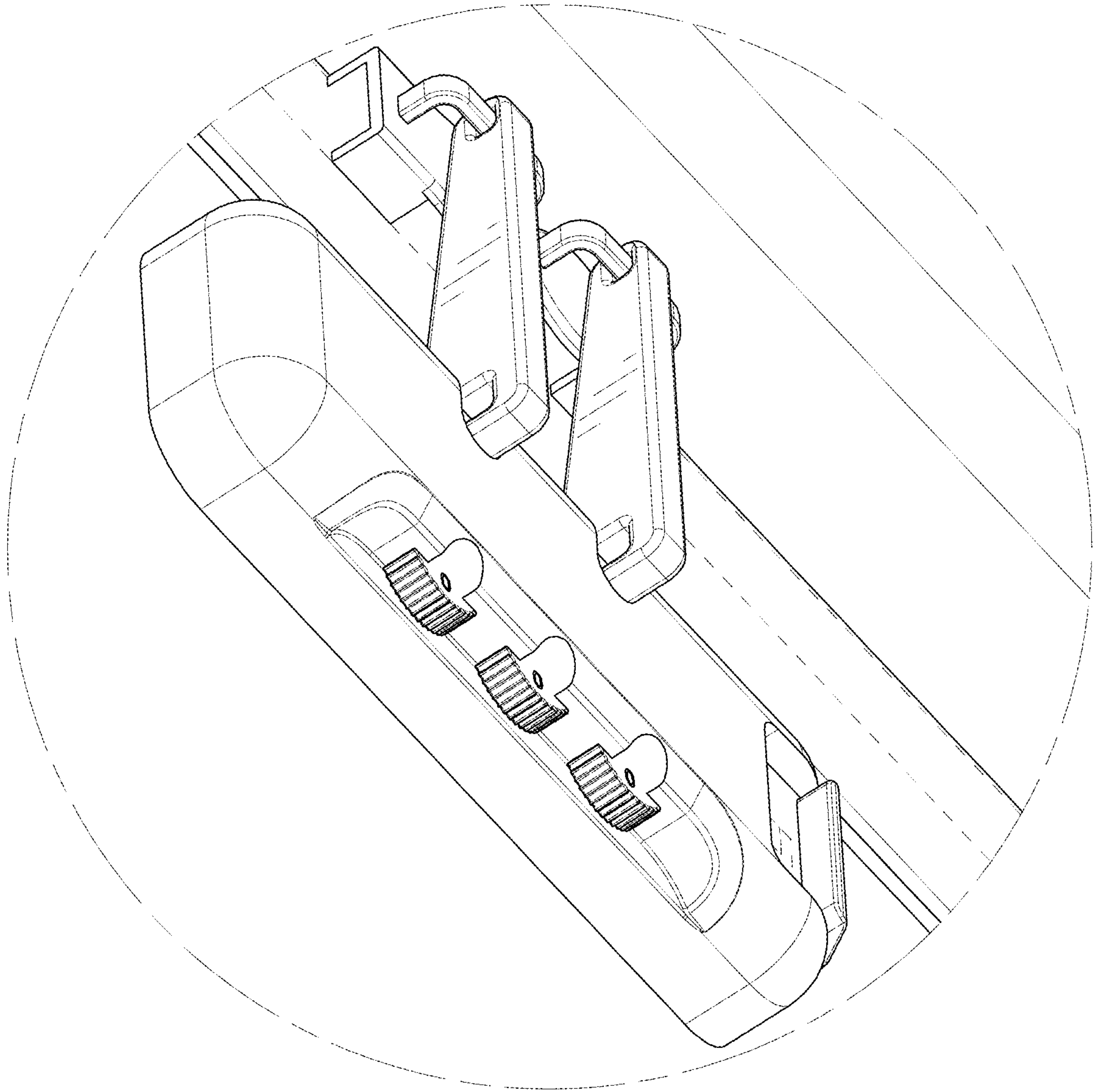


FIG. 14