



US00D985292S

(12) **United States Design Patent**
Chandhok

(10) **Patent No.:** **US D985,292 S**

(45) **Date of Patent:** **** May 9, 2023**

(54) **STOOL**
(71) Applicant: **2109971 Ontario Inc.**, Etobicoke (CA)
(72) Inventor: **Swinder Pal Singh Chandhok**, New Territory (HK)

D449,456 S * 10/2001 Muller A47C 9/007
D6/360
D523,251 S * 6/2006 Parpala D6/352
D672,568 S * 12/2012 Keeley D6/349
D779,706 S * 2/2017 Starck D26/110

(73) Assignee: **2109971 Ontario Inc.**, Etobicoke (CA)

CA 203733 * 11/2022

(**) Term: **15 Years**

FOREIGN PATENT DOCUMENTS

(21) Appl. No.: **29/784,686**

OTHER PUBLICATIONS
Glam Bar Stool Hero—Xcella Catalogue, available in xcella.ca, published Year 2022 [online], p. 64-65, Stools on the left, Retrieved on Dec. 1, 2022 from URL: <https://xcella.ca/images/catalog/1654281303-xcella%202022-05-31.pdf> (Year: 2022).*

(22) Filed: **May 20, 2021**

(51) **LOC (14) Cl.** **06-01**

(52) **U.S. Cl.**
USPC **D6/349**

* cited by examiner

(58) **Field of Classification Search**
USPC D6/334–336, 349–350, 352, 360,
D6/363–364, 370, 372–373, 375, 377,
D6/380, 601, 692.3, 716.4, 674, 708.2;
D11/165; D26/110
CPC A47C 3/021; A47C 5/046
See application file for complete search history.

Primary Examiner — Vy N Koenig
Assistant Examiner — Michelle M Reeves
(74) *Attorney, Agent, or Firm* — Michael J. Brown

(57) **CLAIM**

I claim the ornamental design for a stool, as shown and described.

(56) **References Cited**

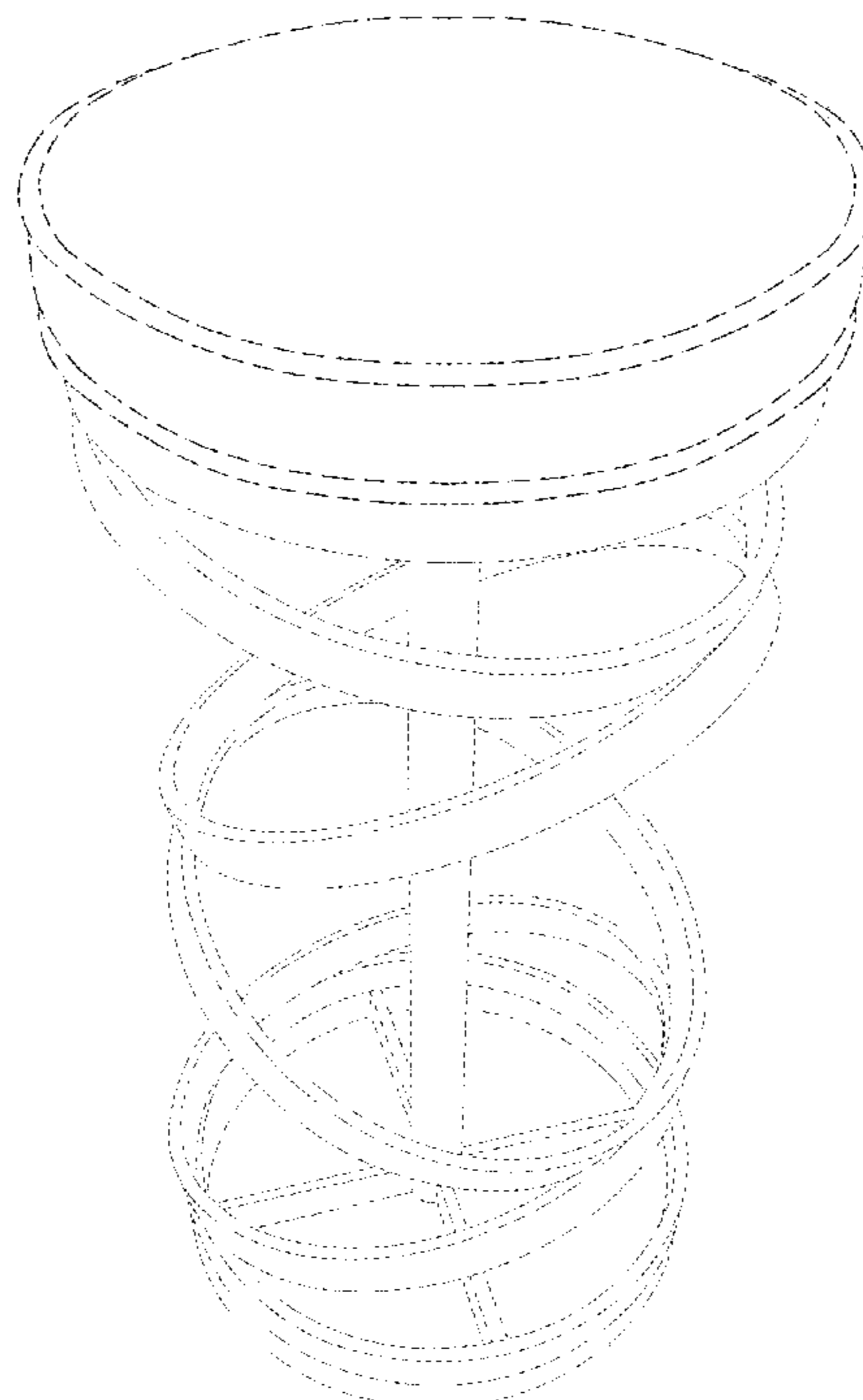
DESCRIPTION

U.S. PATENT DOCUMENTS

D109,674 S * 5/1938 Ranko D6/352
D133,432 S * 8/1942 Booher D6/674
4,175,665 A * 11/1979 Dogliotti A47F 1/08
D6/681
D322,000 S * 12/1991 Rosen D6/691
D333,055 S * 2/1993 Kaye D6/365
D374,559 S * 10/1996 Oelke D6/360
D399,066 S * 10/1998 Malatesta D6/349

FIG. 1 is a right side view of a stool showing my new design.
FIG. 2 is a front view thereof.
FIG. 3 is a top view thereof.
FIG. 4 is a left side view thereof.
FIG. 5 is a bottom view thereof; and,
FIG. 6 is a front perspective view thereof.
The broken lines in the drawings are for the purpose of illustrating portions of the stool that form no part of the claimed design.

1 Claim, 6 Drawing Sheets



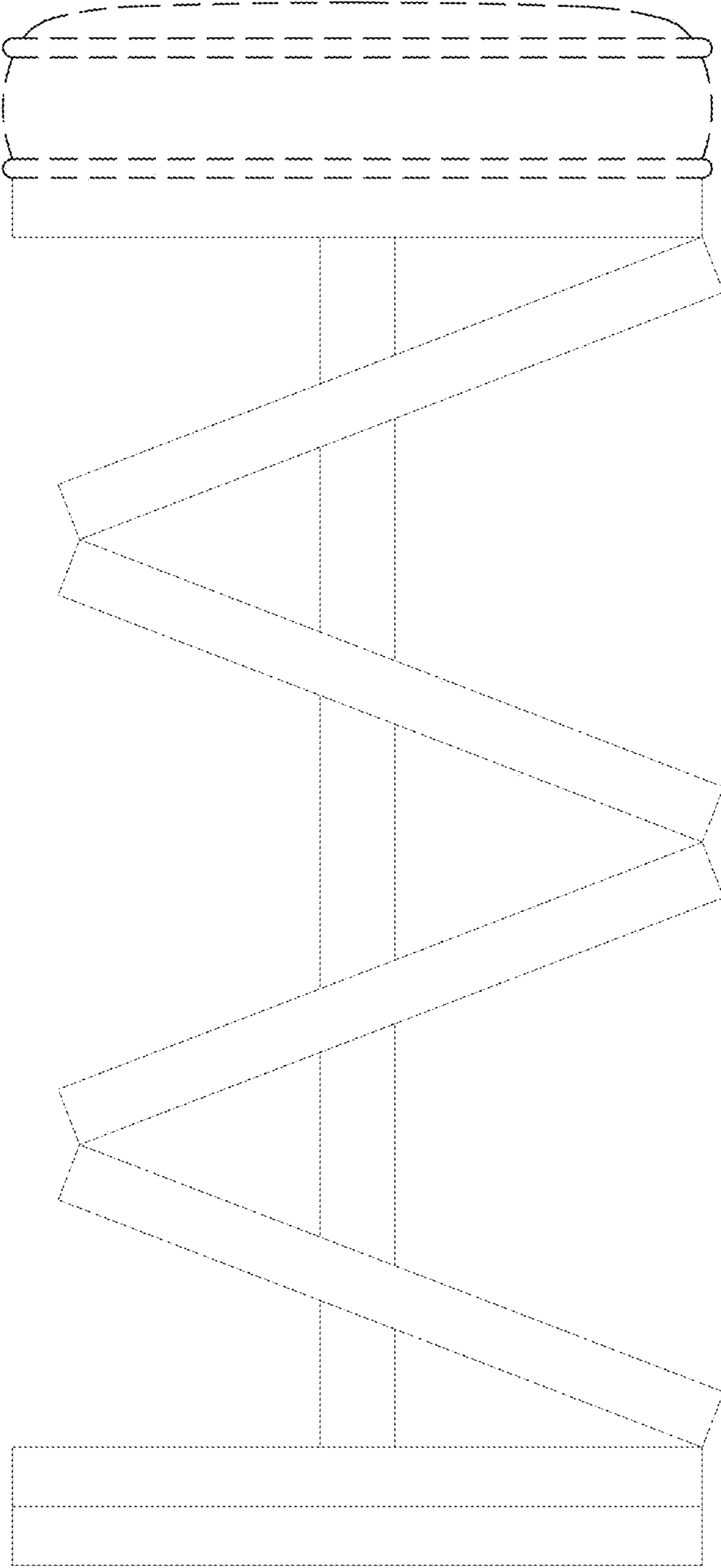


FIG. 1

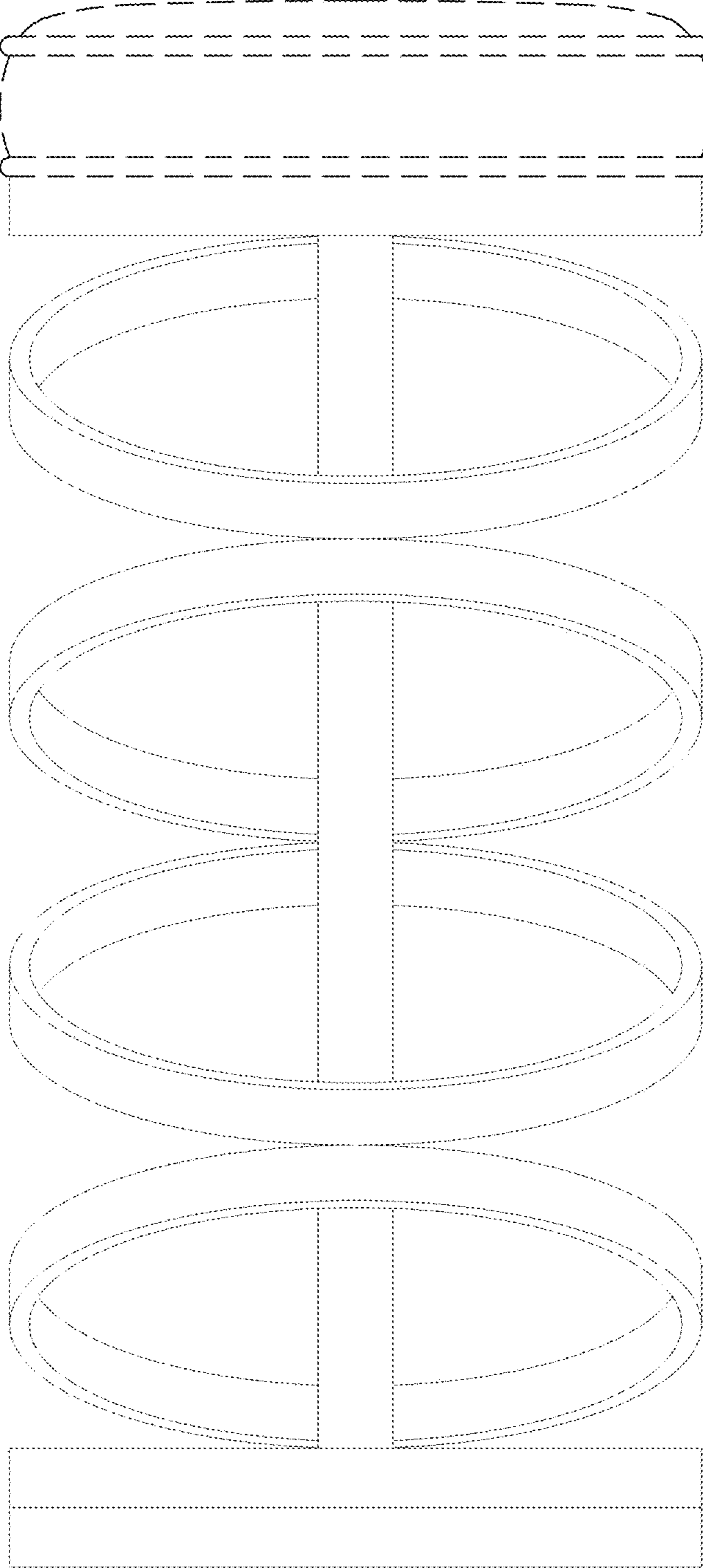


FIG. 2

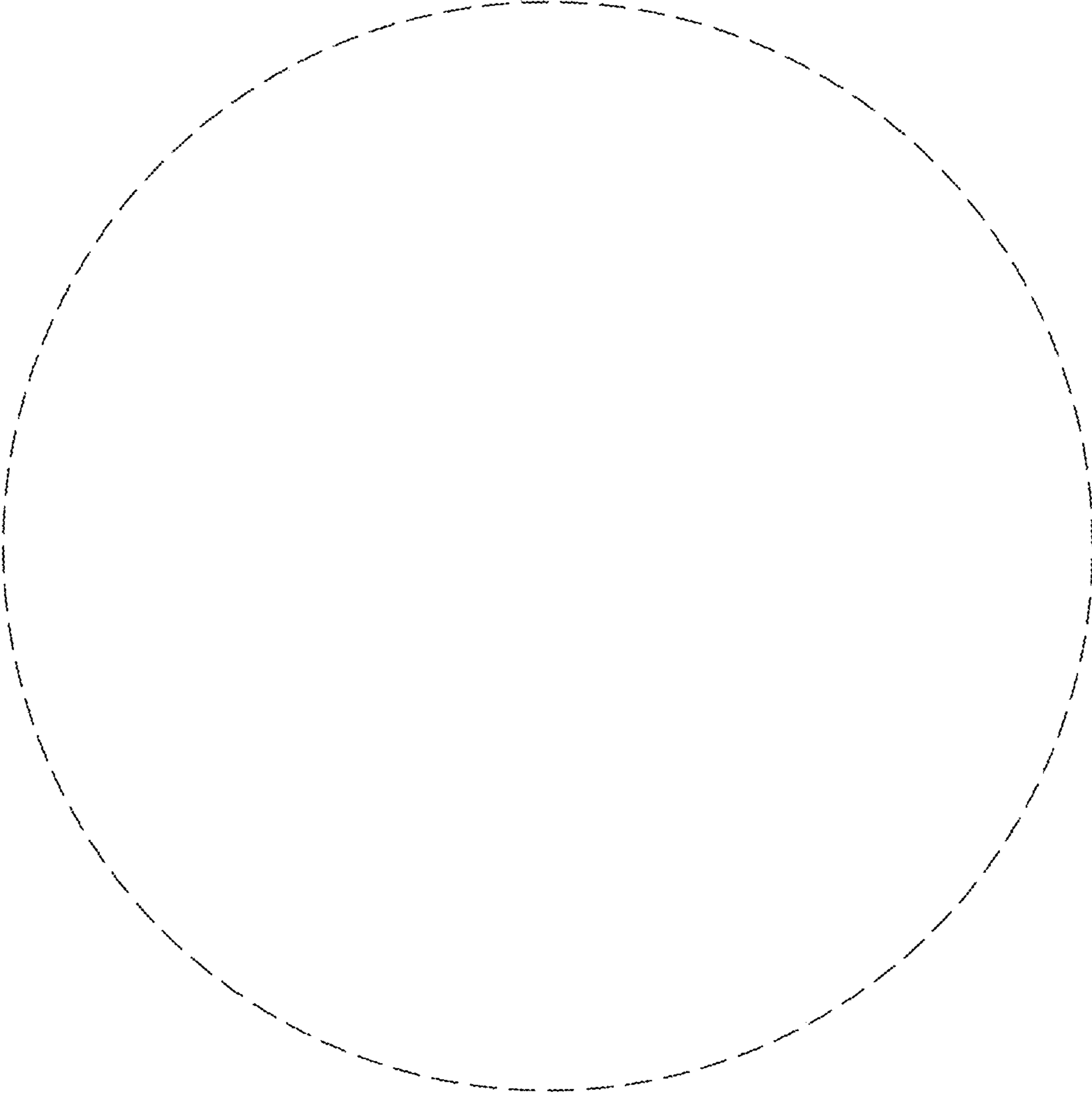


FIG. 3

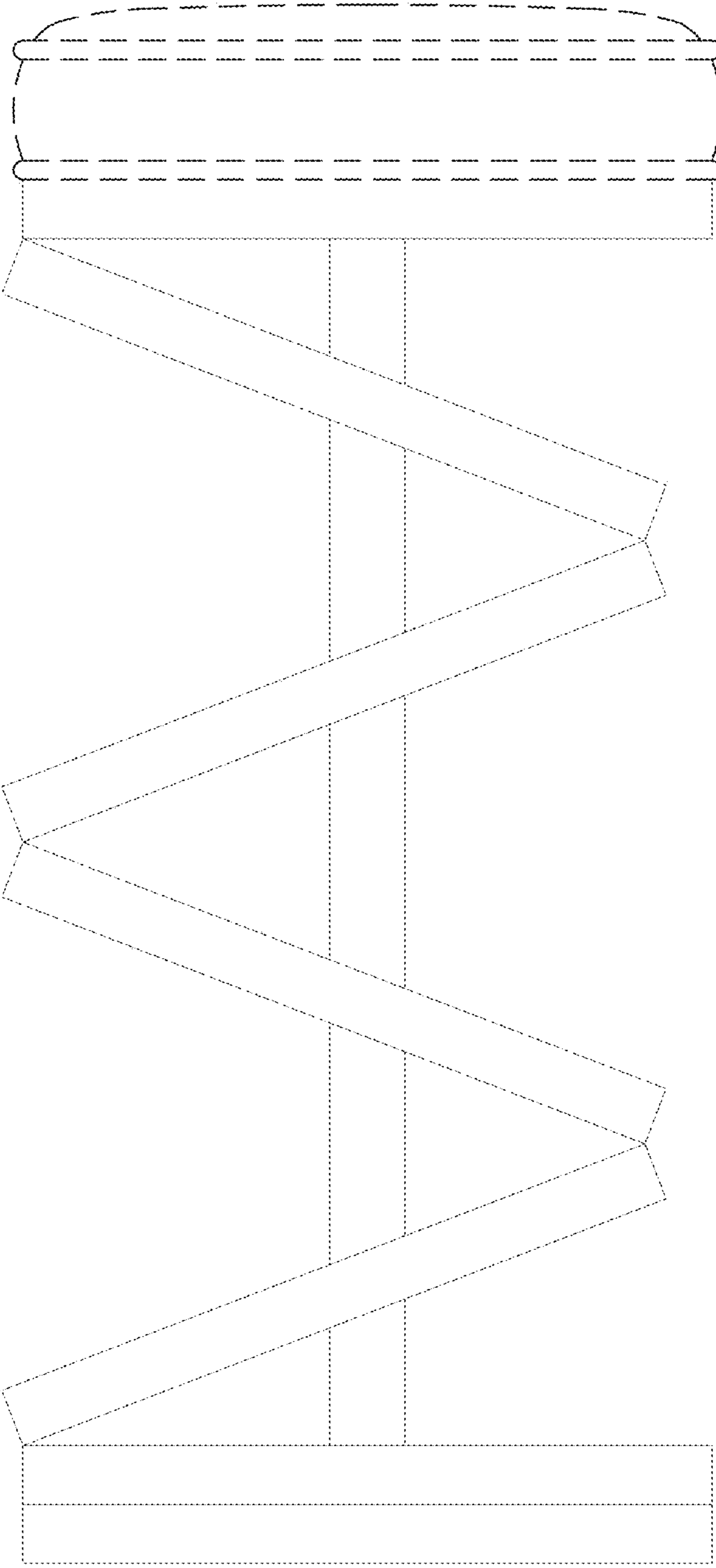


FIG. 4

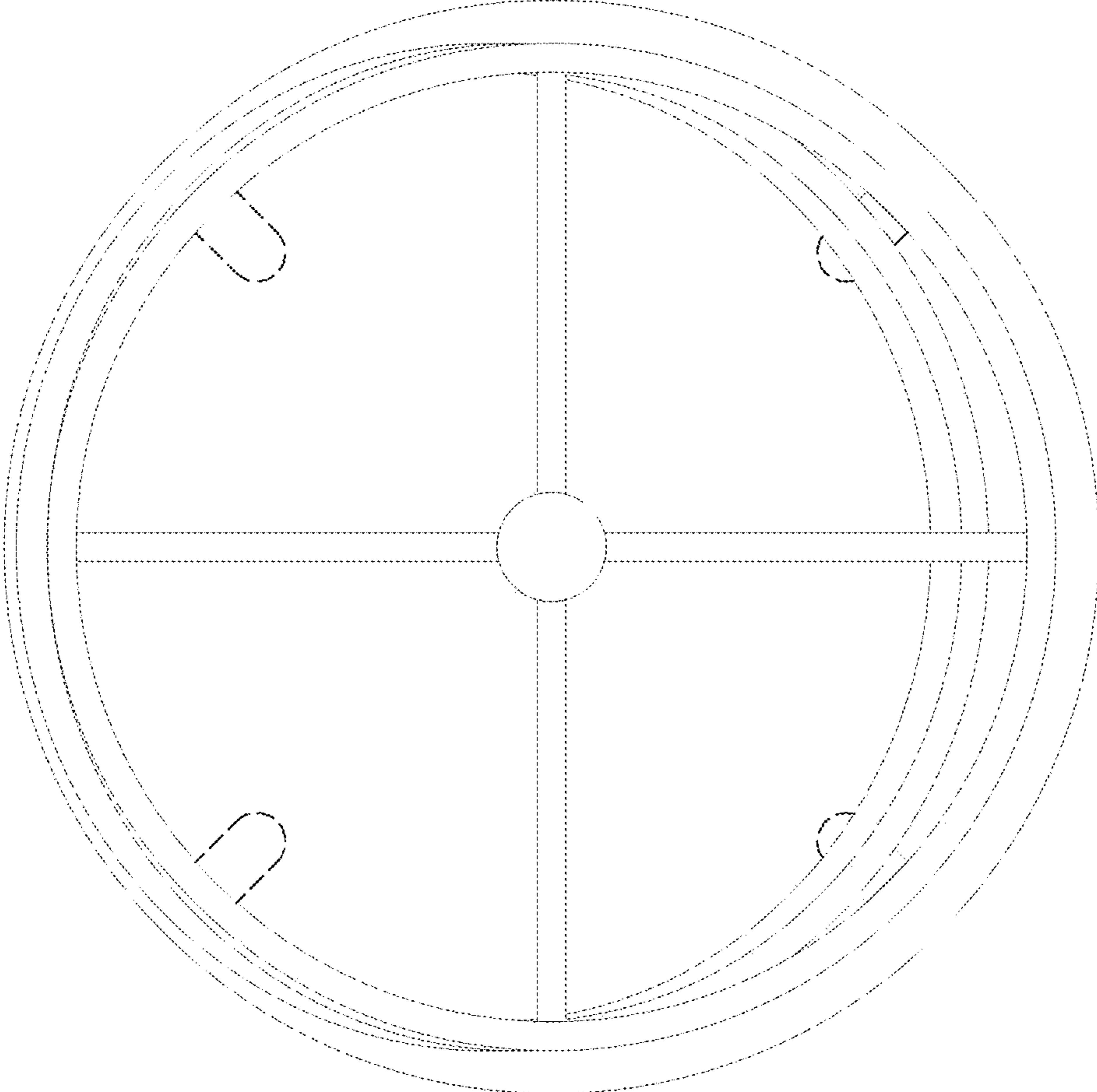


FIG. 5

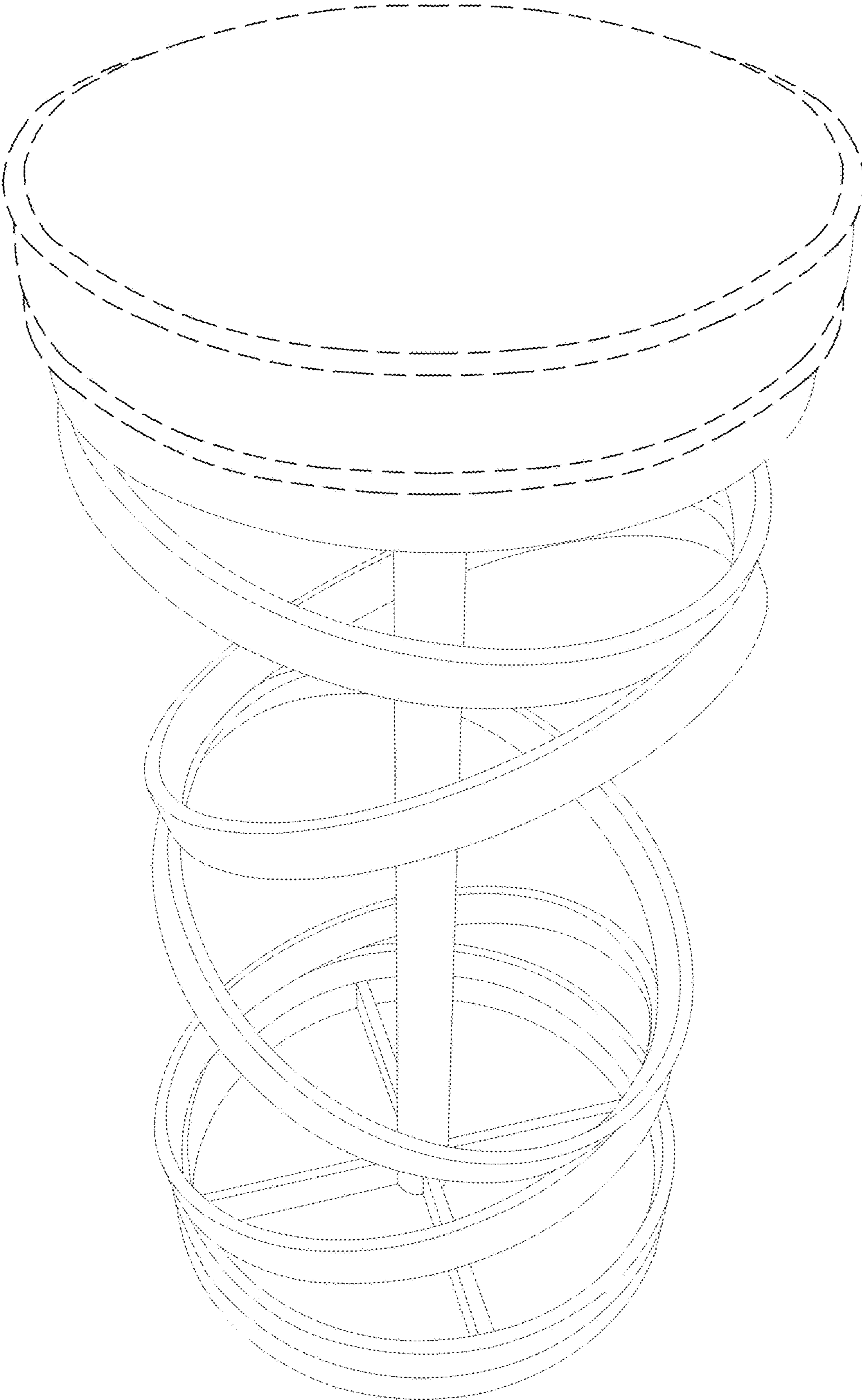


FIG. 6